



US00D647865S

(12) **United States Design Patent**
Miyashita

(10) **Patent No.:** **US D647,865 S**

(45) **Date of Patent:** **** Nov. 1, 2011**

(54) **LIGHT-EMITTING DIODE**

(75) Inventor: **Junji Miyashita**, Fujiyoshida (JP)

(73) Assignees: **Citizen Electronics Co., Ltd.**,
Yamanashi (JP); **Citizen Holdings Co., Ltd.**, Tokyo (JP)

(**) Term: **14 Years**

(21) Appl. No.: **29/384,651**

(22) Filed: **Feb. 2, 2011**

(30) **Foreign Application Priority Data**

Aug. 2, 2010 (JP) D2010-018793

(51) **LOC (9) Cl.** **13-03**

(52) **U.S. Cl.** **D13/180**

(58) **Field of Classification Search** D13/180;
D26/1, 2; 257/79, 80, 81, 88, 89, 95, 98,
257/99, 100, E33.058; 313/483, 498, 500;
362/555, 800

See application file for complete search history.

(56) **References Cited**

U.S. PATENT DOCUMENTS

D478,879 S * 8/2003 Imai D13/182
6,984,539 B2 * 1/2006 Yoon 438/29
7,199,452 B2 * 4/2007 Takase 257/660
7,491,977 B2 * 2/2009 Fukasawa 257/98
D600,657 S * 9/2009 Tsuchiya D13/180
7,667,384 B2 * 2/2010 Chen et al. 313/500

D623,611 S * 9/2010 Okuwaki D13/180
7,804,102 B2 * 9/2010 Kadotani et al. 257/98
7,926,984 B2 * 4/2011 Su 362/329
2008/0001163 A1 * 1/2008 Matsumura et al. 257/99
2009/0230420 A1 * 9/2009 Bogner et al. 257/99

* cited by examiner

Primary Examiner — Selina Sikder

(74) *Attorney, Agent, or Firm* — Browdy and Neiamark, PLLC

(57) **CLAIM**

The ornamental design for a light-emitting diode, as shown and described here.

DESCRIPTION

FIG. 1 is a perspective view of the light-emitting diode in accordance with my new design, showing an upper surface with front and right side surfaces as obliquely viewed from above;

FIG. 2 is a perspective view thereof, showing a bottom surface with rear and left side surfaces as obliquely viewed from above;

FIG. 3 is a front elevation view thereof;

FIG. 4 is a rear elevation view thereof;

FIG. 5 is a top plan view thereof;

FIG. 6 is a bottom plan view thereof; and,

FIG. 7 is a right side view thereof; the left side being a mirror image to FIG. 7.

1 Claim, 4 Drawing Sheets

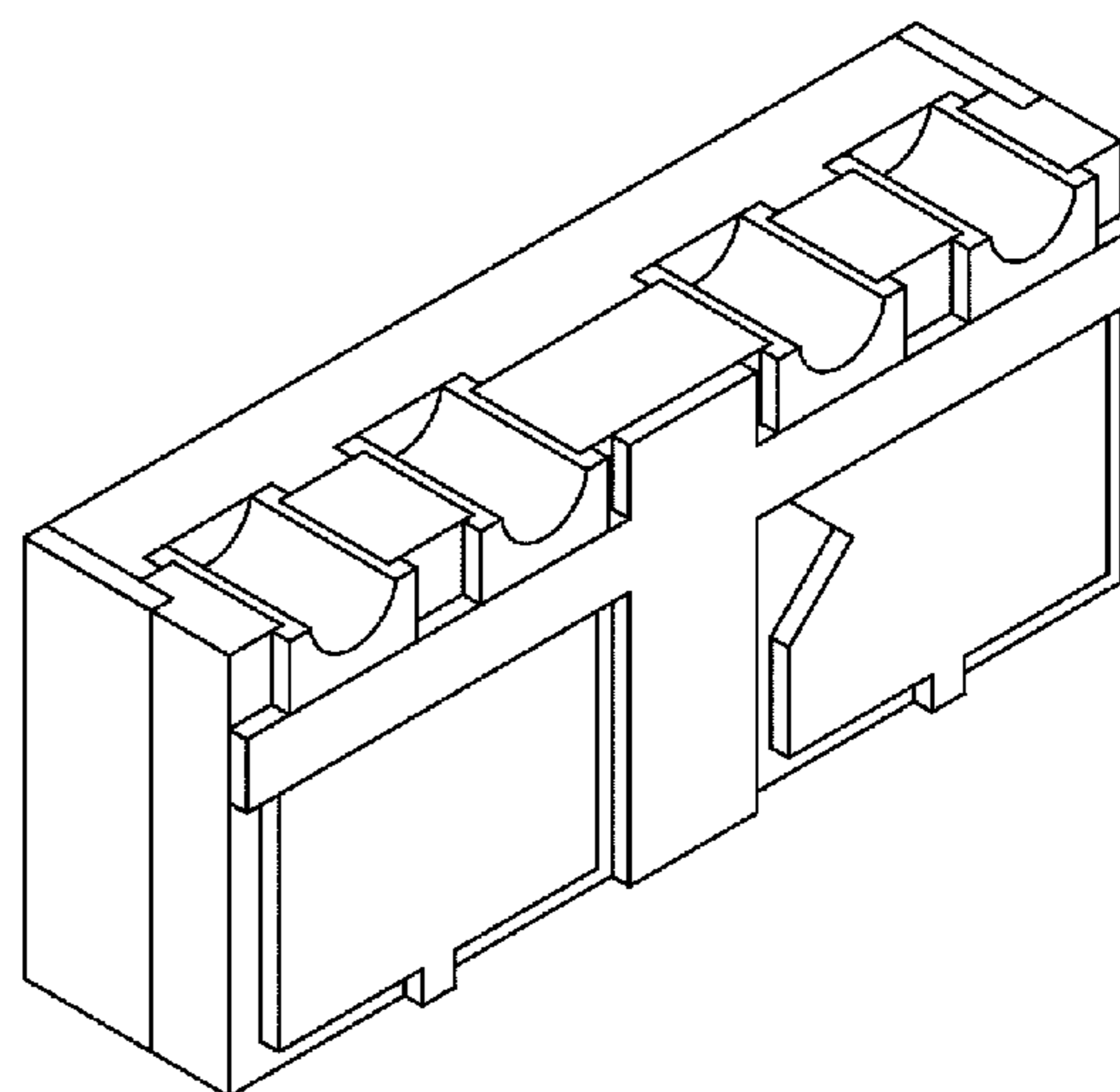
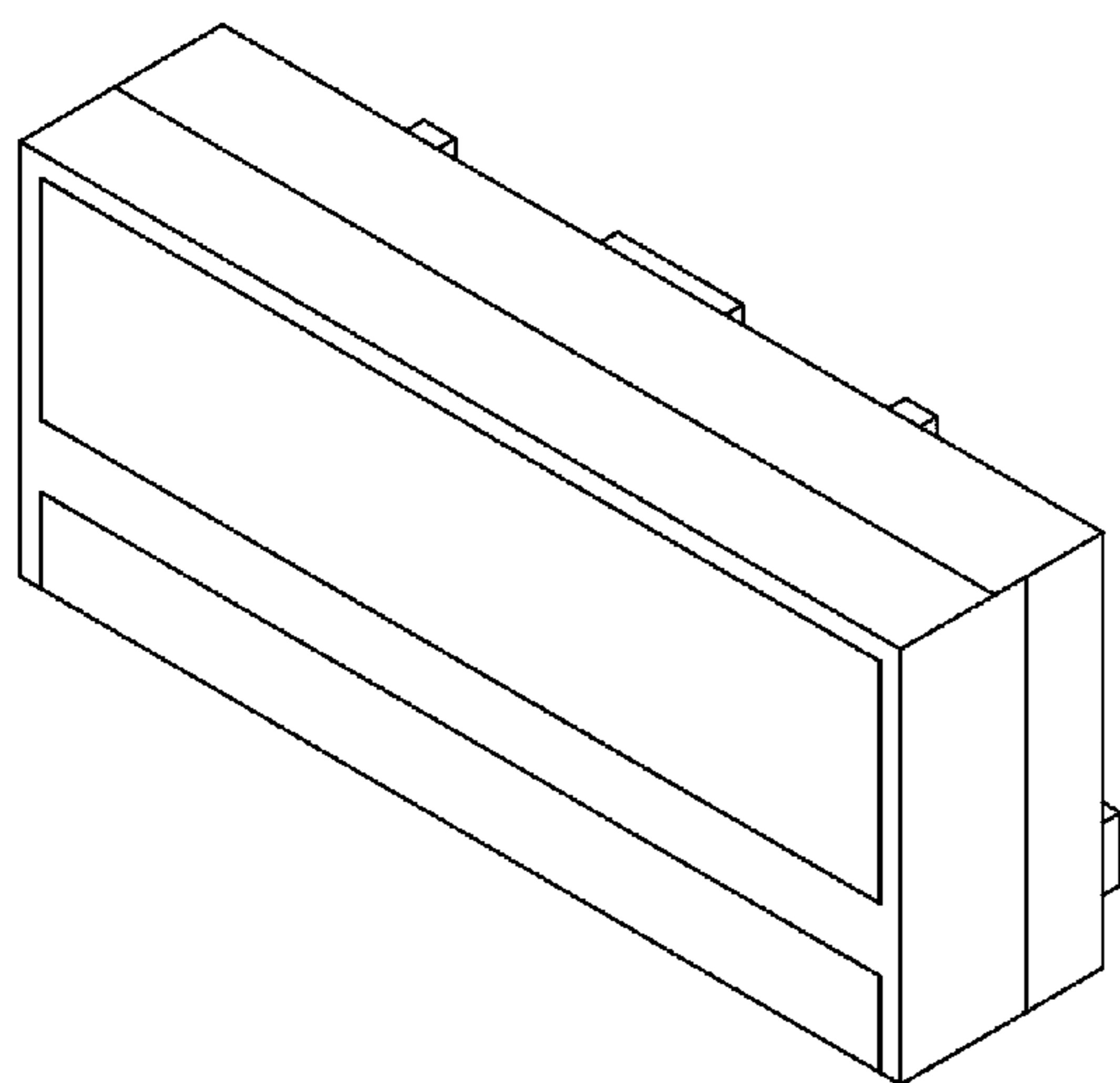


Fig. 1

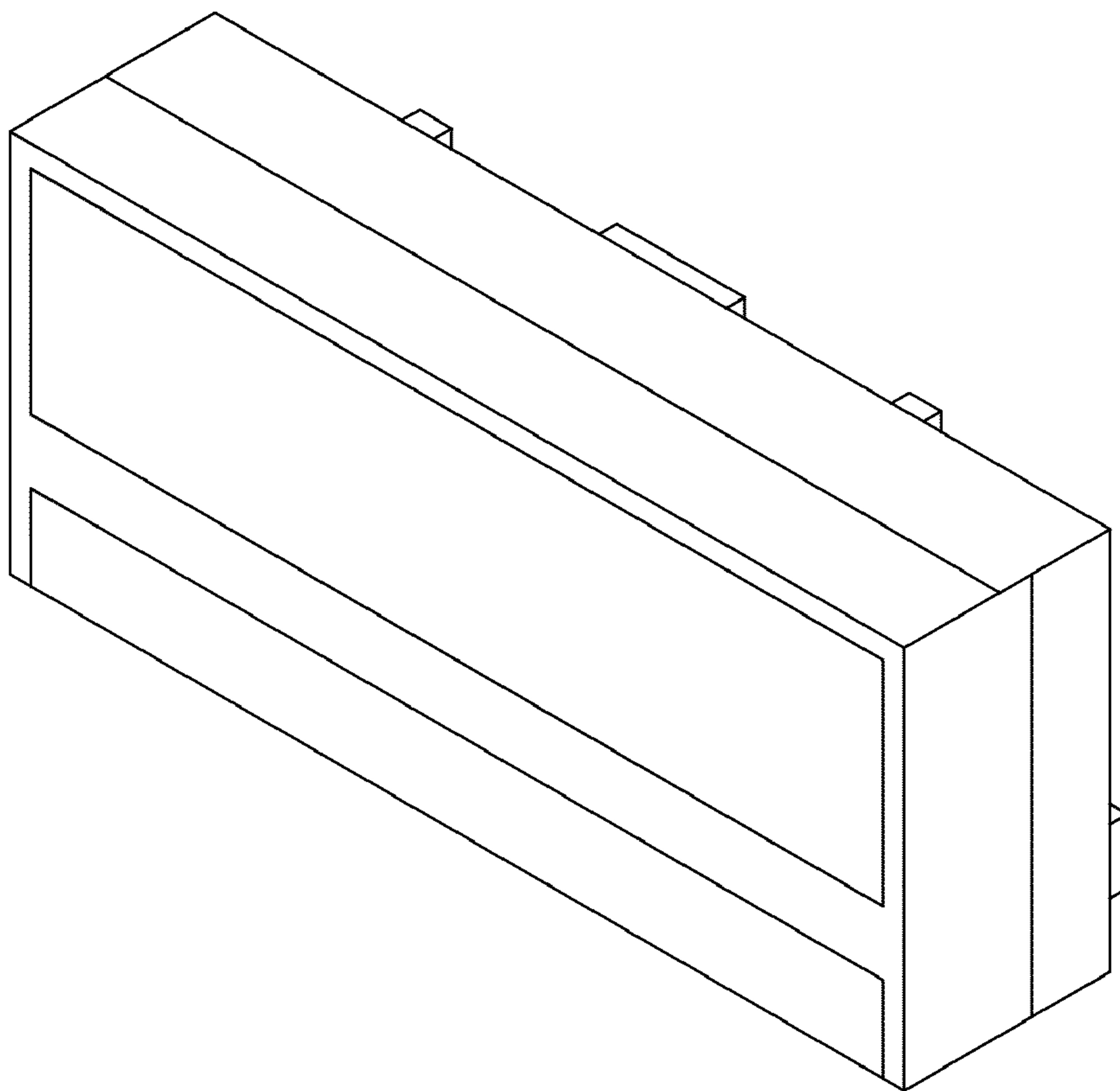


Fig. 2

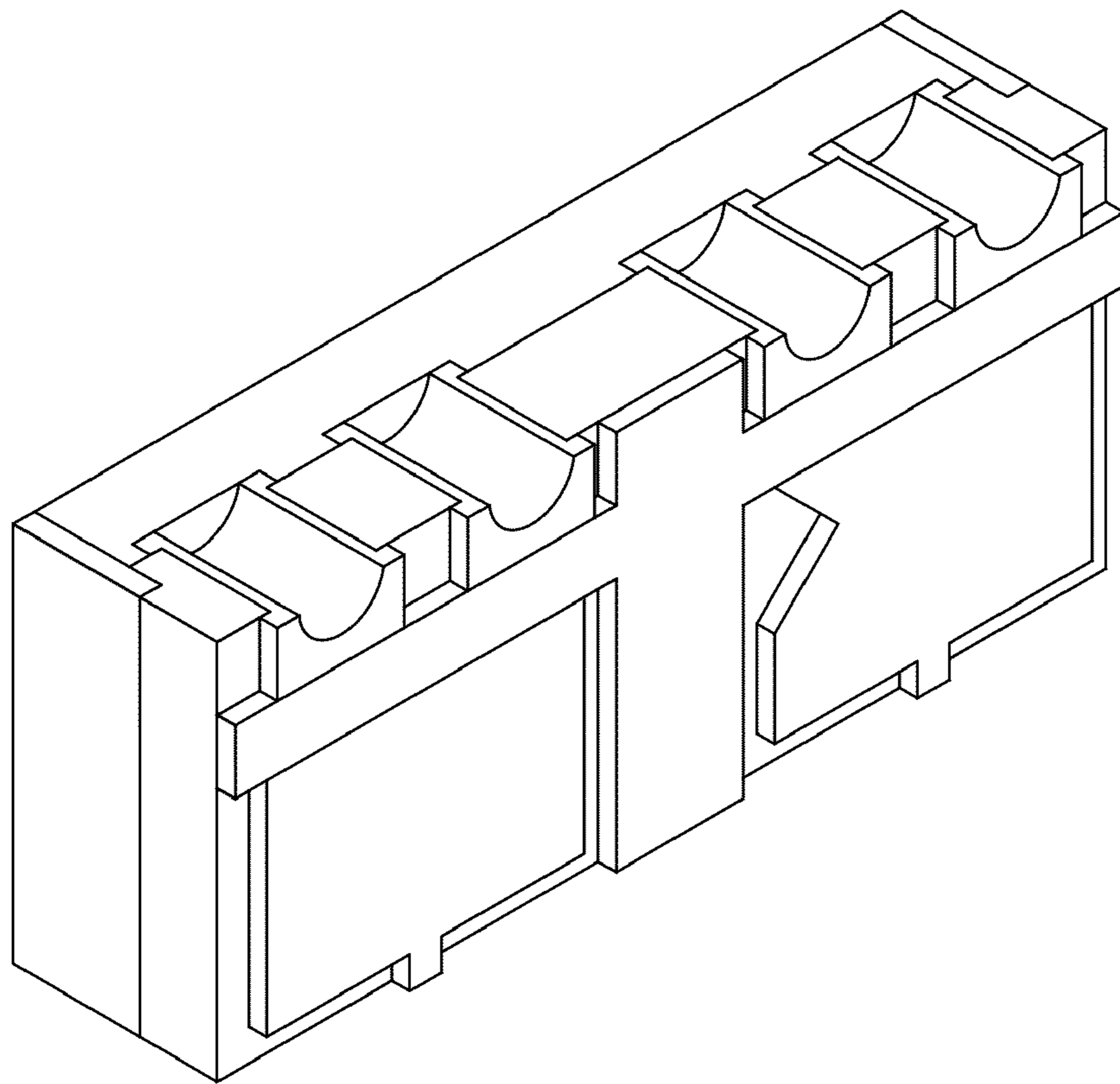


Fig. 3

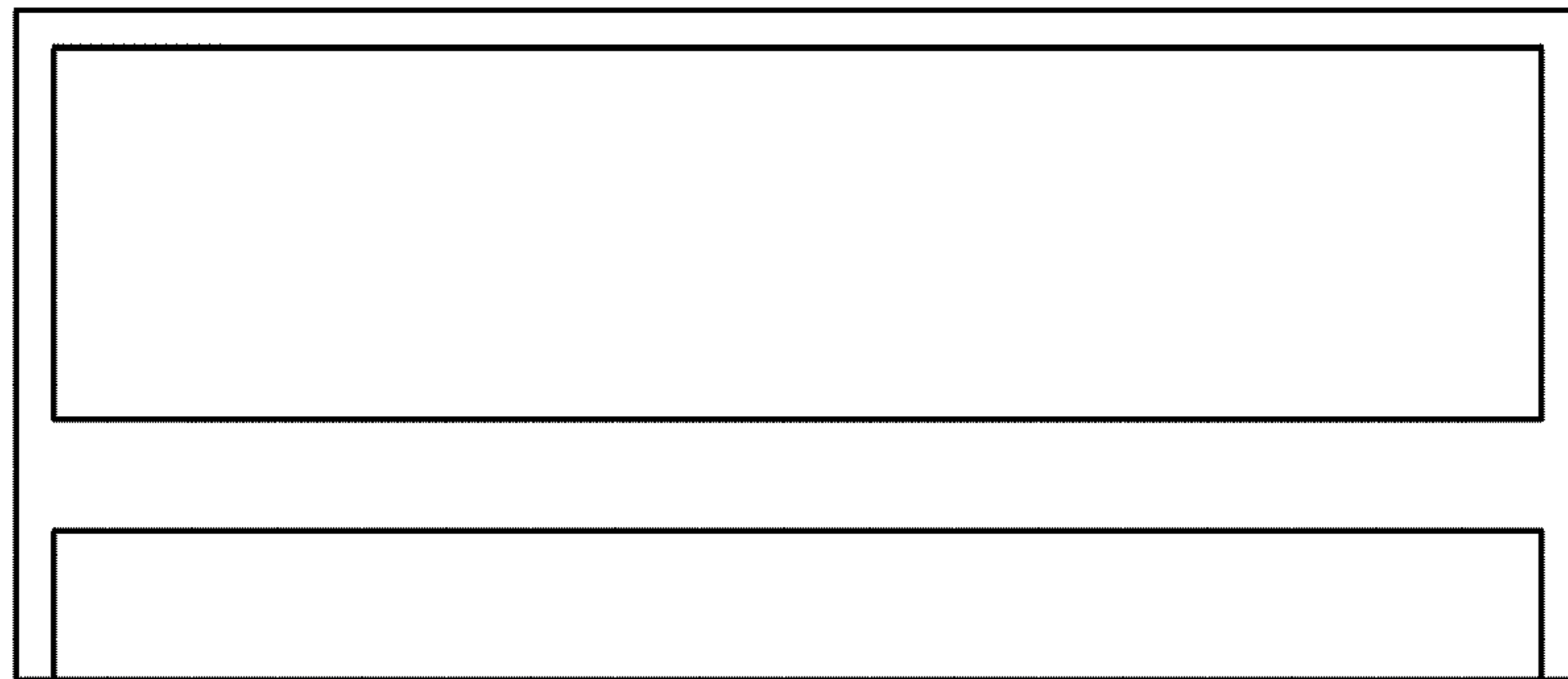


Fig. 4

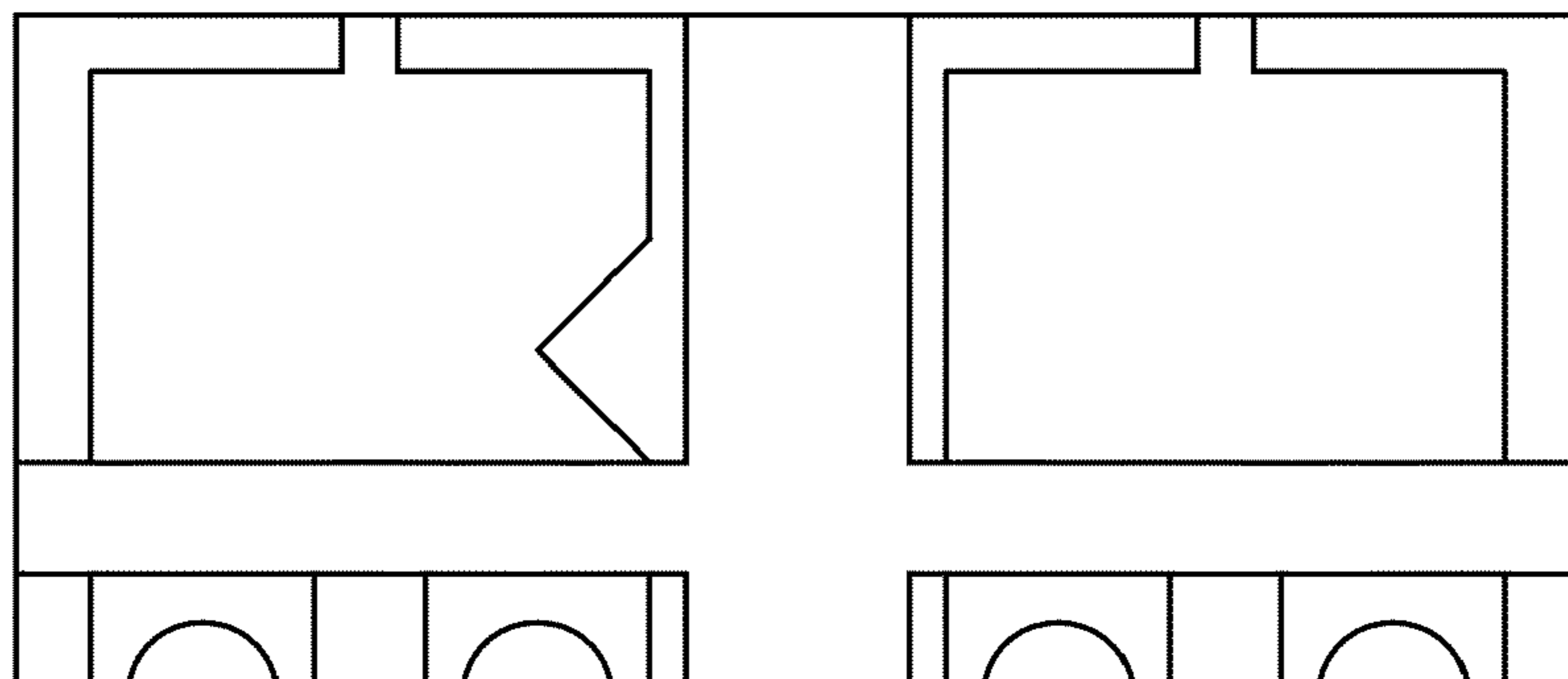


Fig. 5

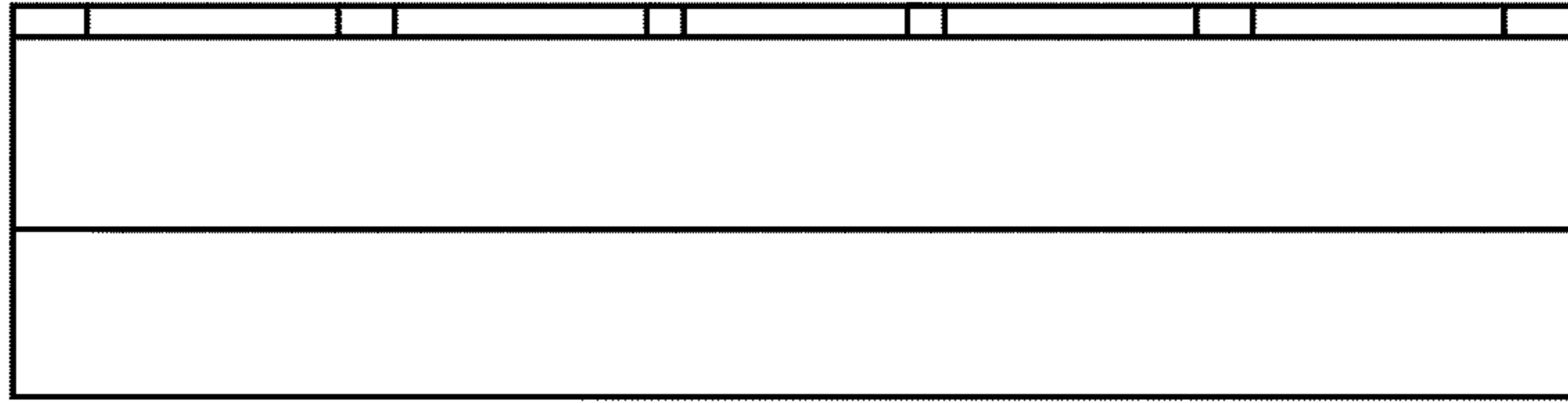


Fig. 6

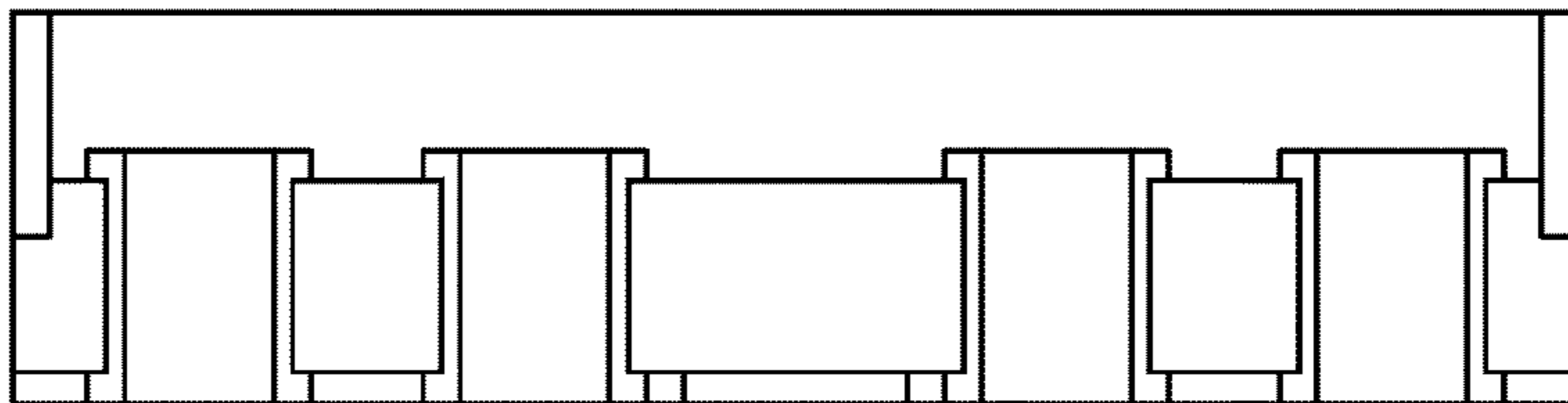


Fig. 7

