



US00D647861S

(12) **United States Design Patent**  
**Wang**

(10) **Patent No.:** **US D647,861 S**

(45) **Date of Patent:** **\*\* Nov. 1, 2011**

(54) **PLUG CONNECTOR**

(75) Inventor: **Yao-Ting Wang**, New Taipei (TW)

(73) Assignee: **Cheng Uei Precision Industry Co., Ltd.**, New Taipei (TW)

(\*\*) Term: **14 Years**

(21) Appl. No.: **29/387,872**

(22) Filed: **Mar. 18, 2011**

(51) **LOC (9) Cl.** ..... **13-03**

(52) **U.S. Cl.** ..... **D13/147**

(58) **Field of Classification Search** ..... D13/147,  
D13/154, 184, 199; 439/79, 108, 350, 353,  
439/357, 378, 489, 587, 595, 680, 752  
See application file for complete search history.

(56) **References Cited**

**U.S. PATENT DOCUMENTS**

D518,790 S \* 4/2006 Nishio et al. .... D13/147  
D526,621 S \* 8/2006 Shang Yen et al. .... D13/147  
D527,347 S \* 8/2006 Shang Yen et al. .... D13/147

D558,679 S \* 1/2008 Chen et al. .... D13/154  
D592,148 S \* 5/2009 Ho ..... D13/147  
D621,360 S \* 8/2010 Kondo ..... D13/147

\* cited by examiner

*Primary Examiner* — Daniel Bui

(74) *Attorney, Agent, or Firm* — Cheng-Ju Chiang

(57) **CLAIM**

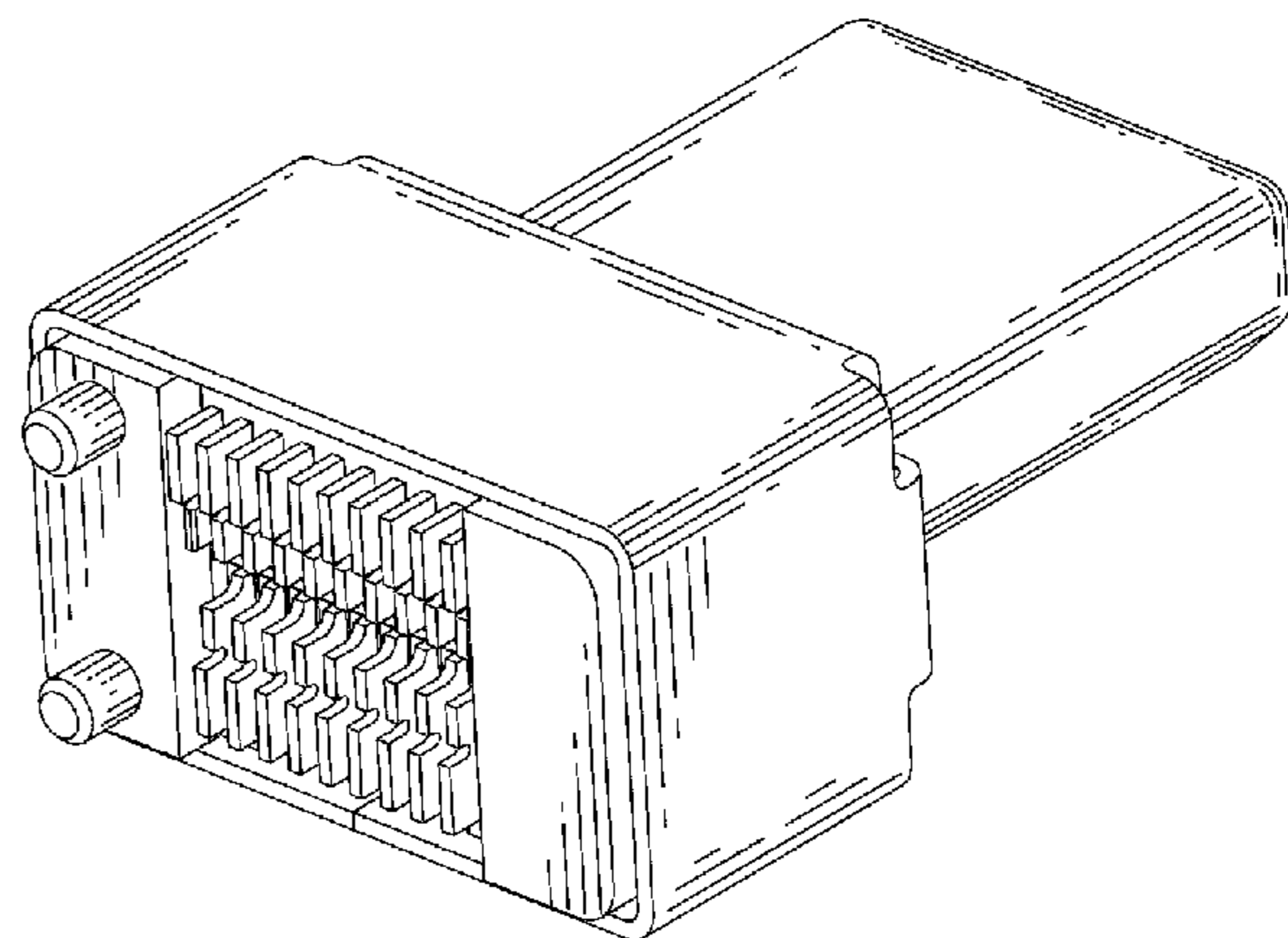
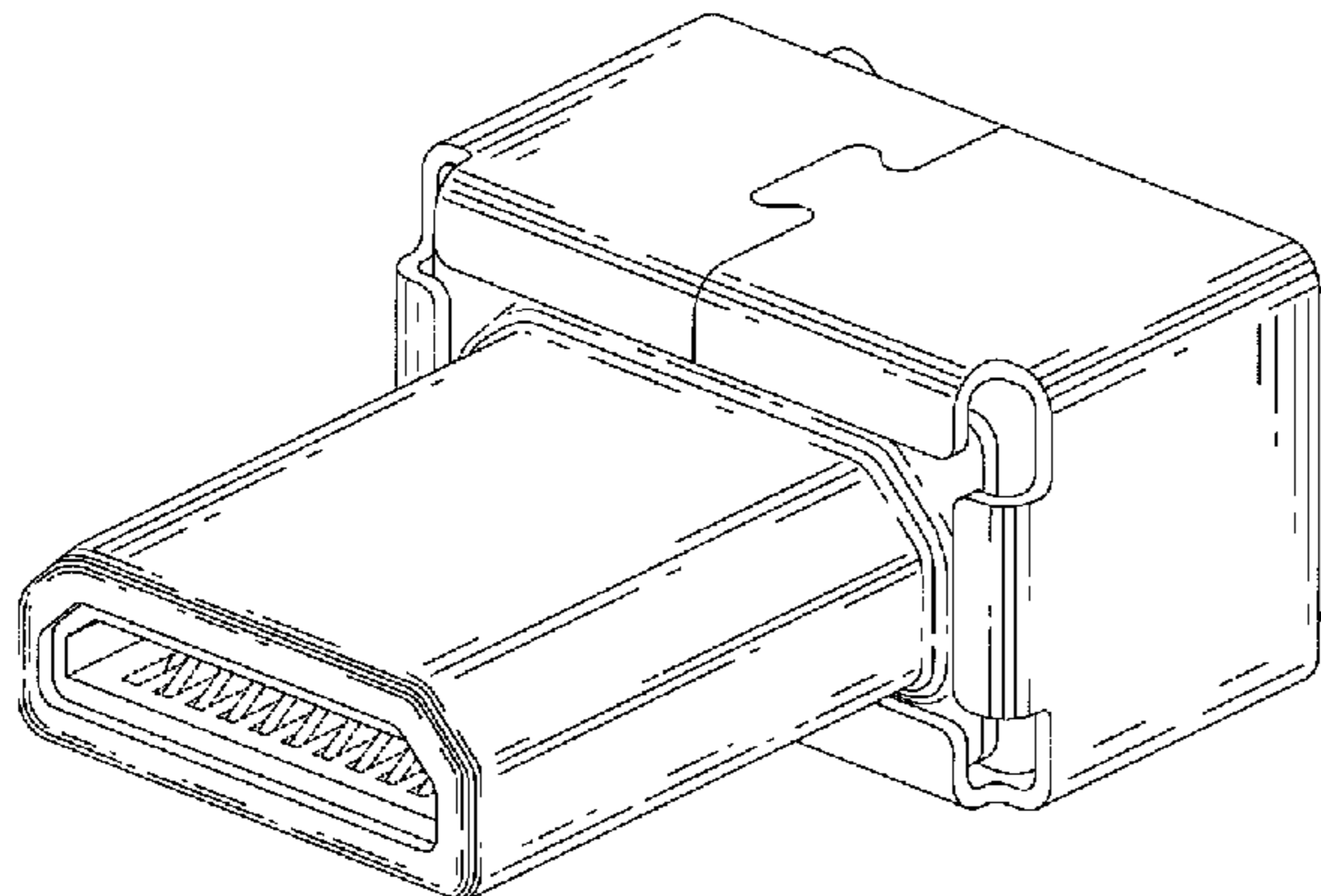
The ornamental design for a plug connector, as shown and described.

**DESCRIPTION**

FIG. 1 is a perspective view of a plug connector showing my new design;  
FIG. 2 is a front elevational view thereof;  
FIG. 3 is a rear elevational view thereof;  
FIG. 4 is a left side elevational view thereof;  
FIG. 5 is a right side elevational view thereof;  
FIG. 6 is a top plan view thereof;  
FIG. 7 is a bottom plan view thereof; and,  
FIG. 8 is another perspective view of the plug connector showing my new design.

The broken line portion of the figure drawings is included to show unclaimed subject matter only and forms no part of the claimed design.

**1 Claim, 8 Drawing Sheets**



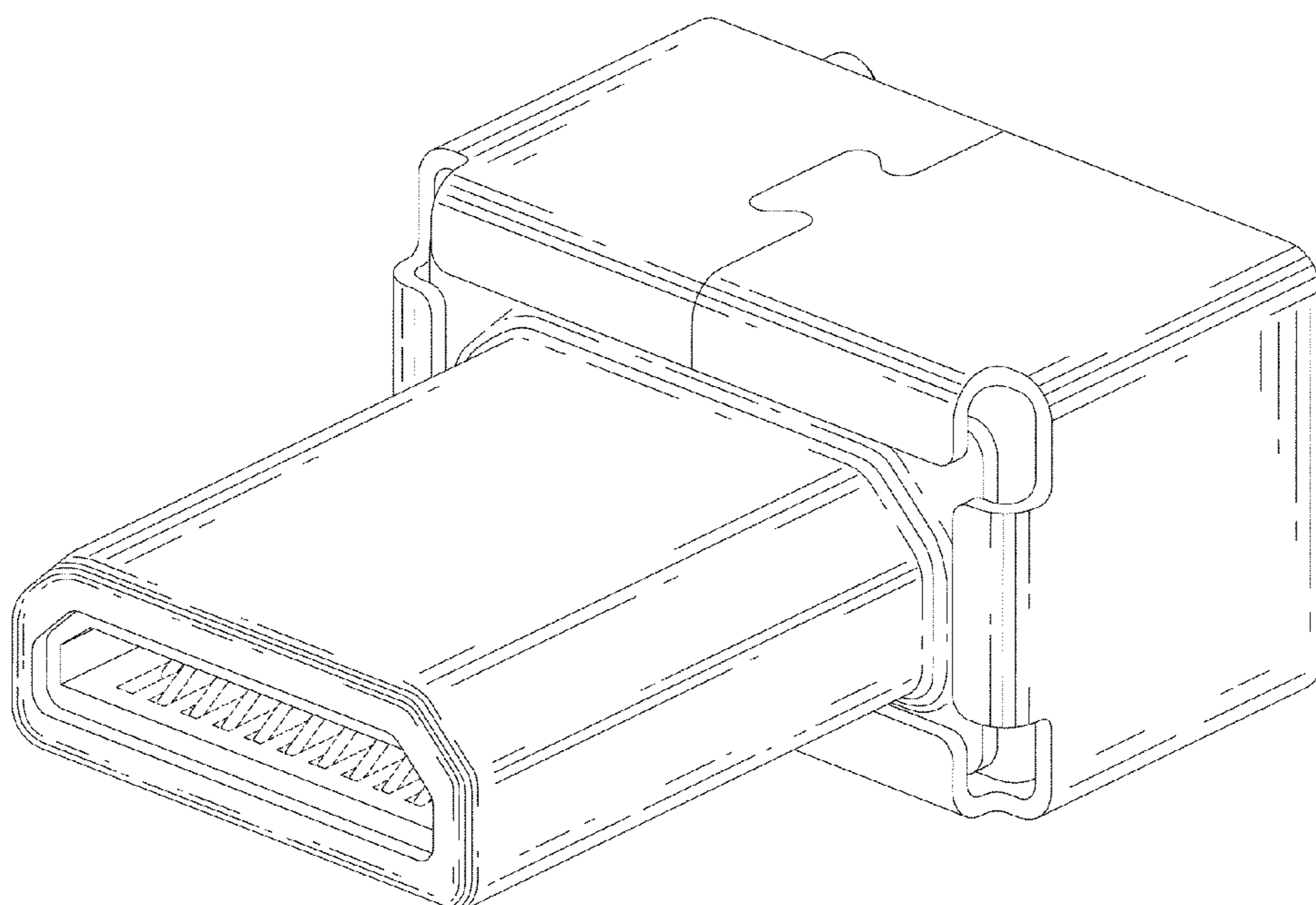


FIG. 1

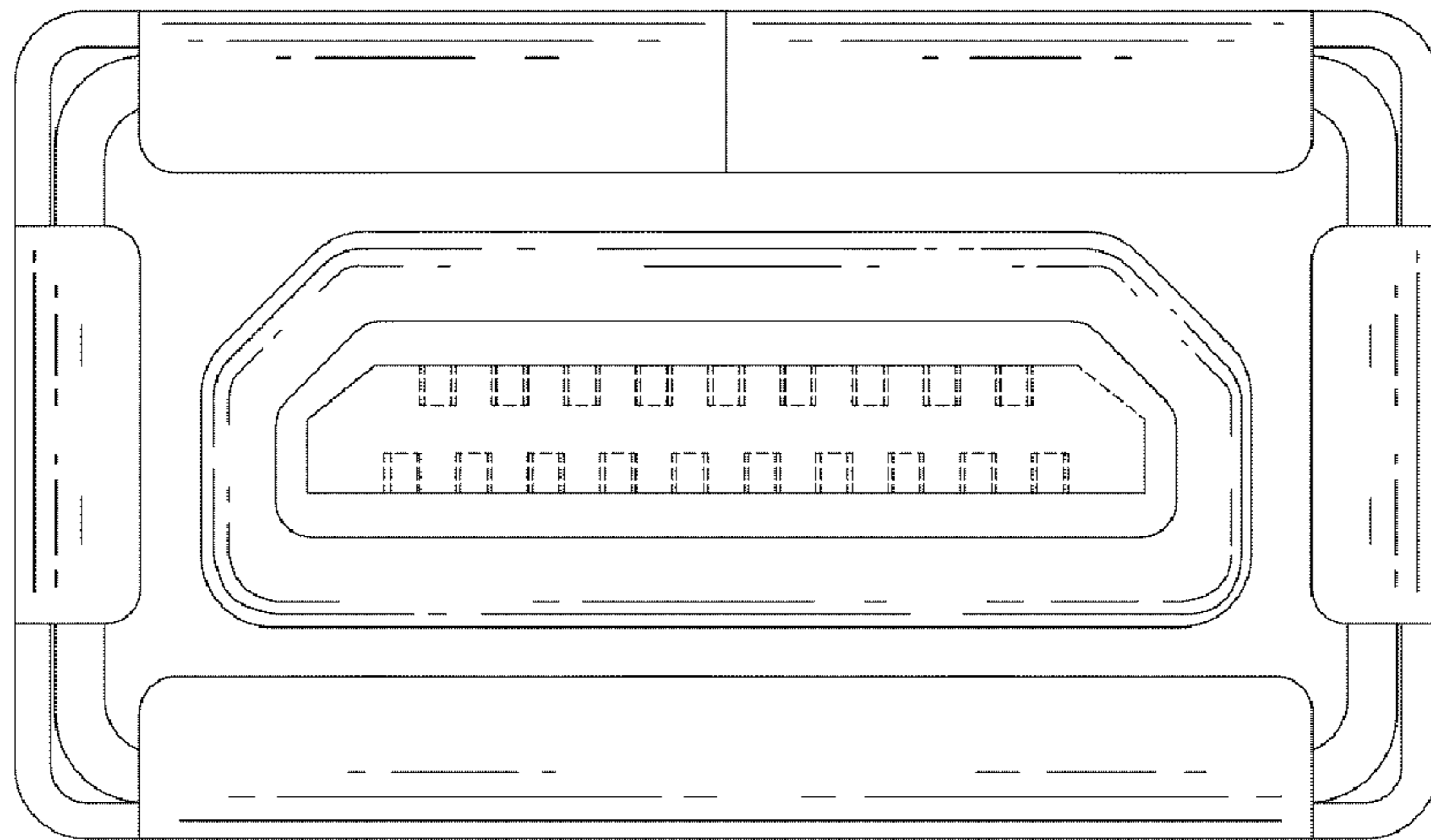


FIG. 2

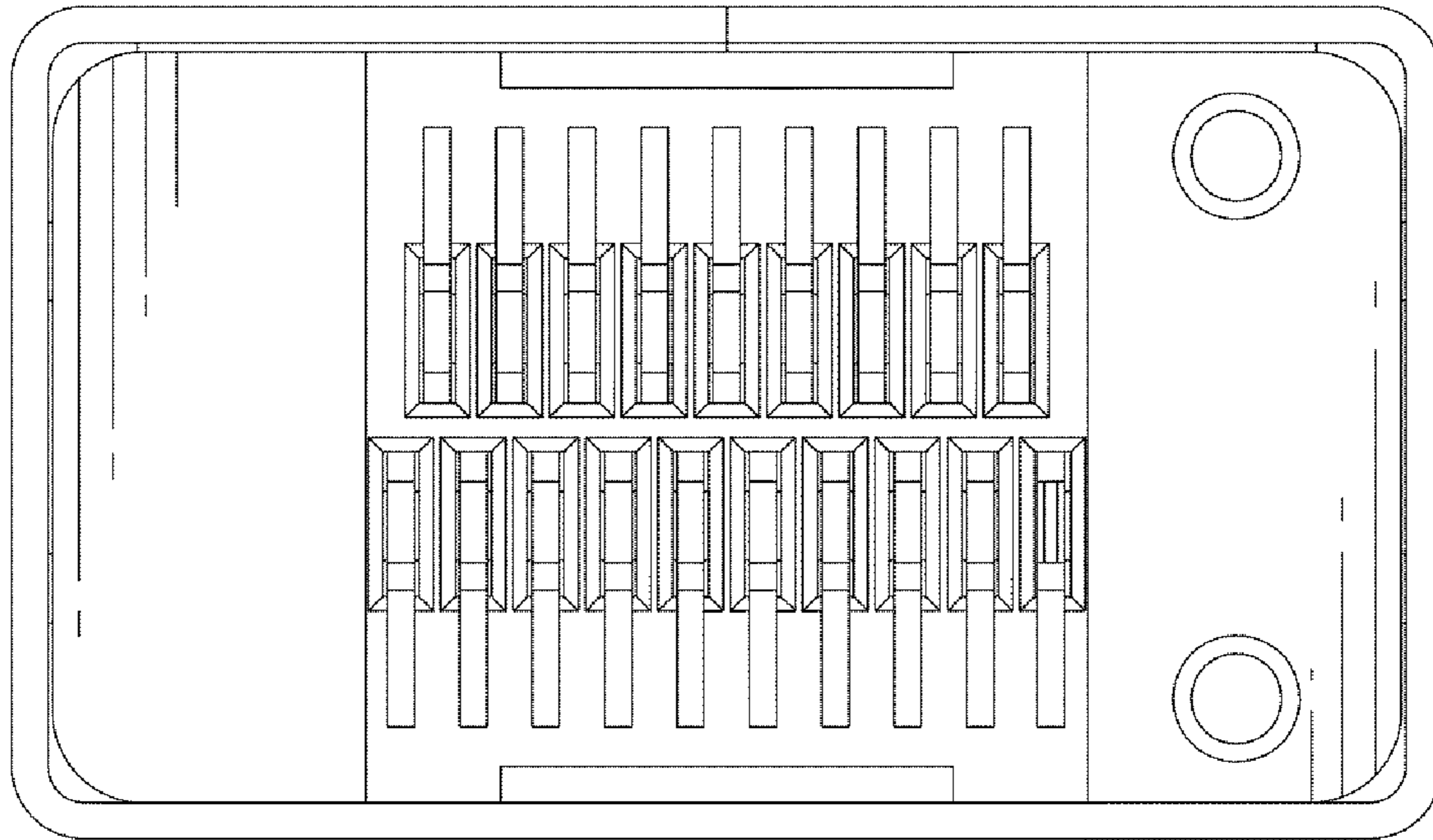


FIG. 3

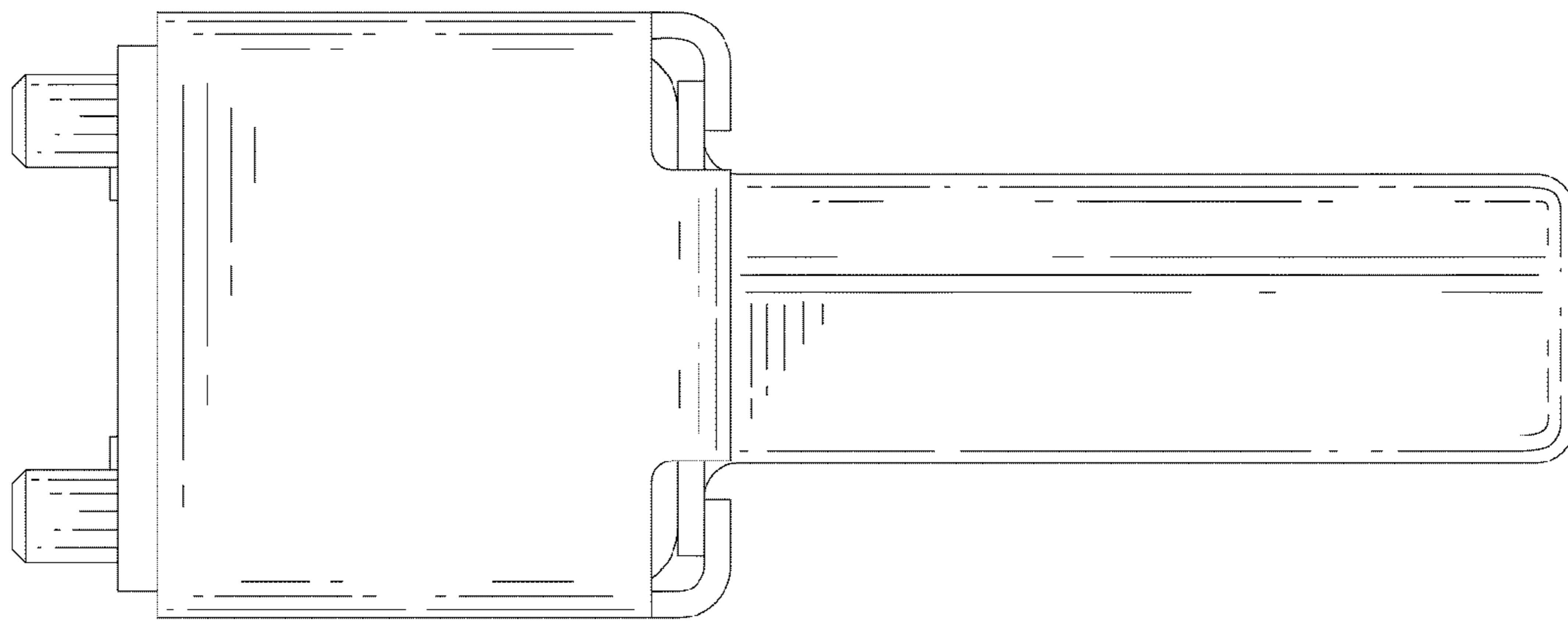


FIG. 4

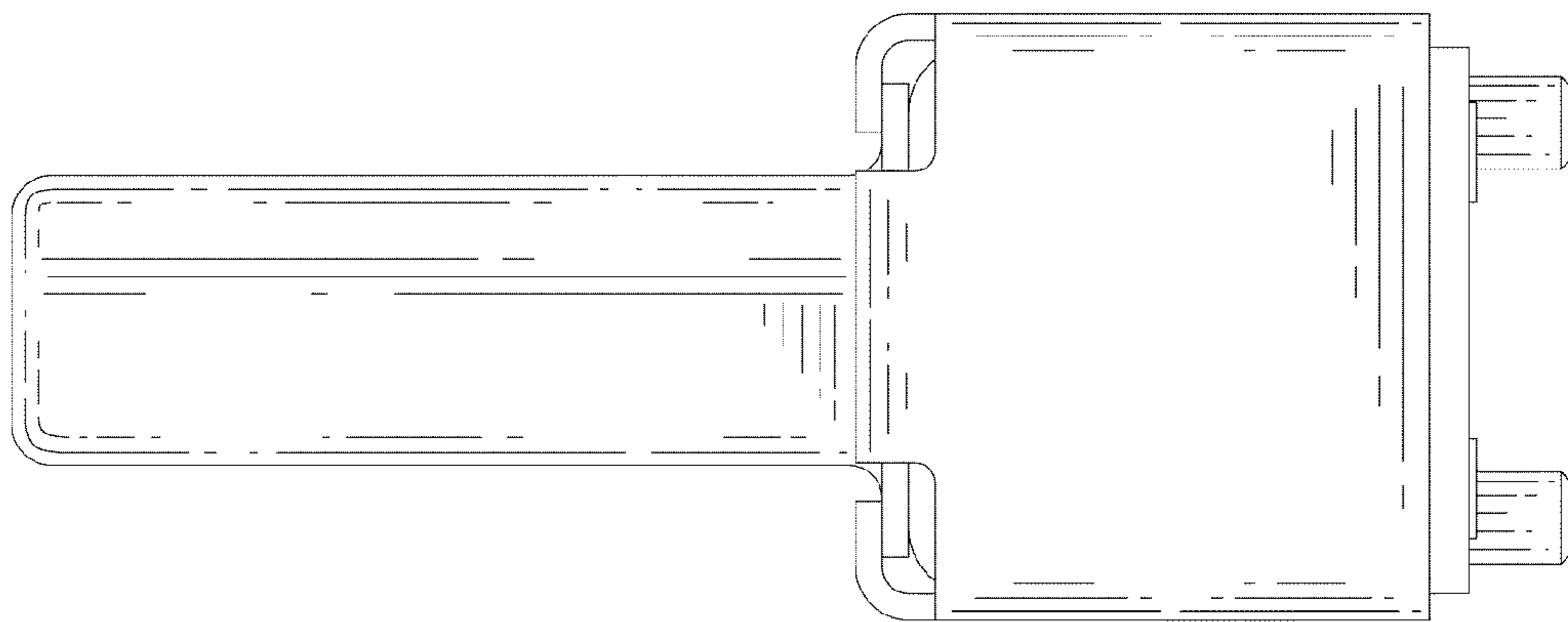


FIG. 5

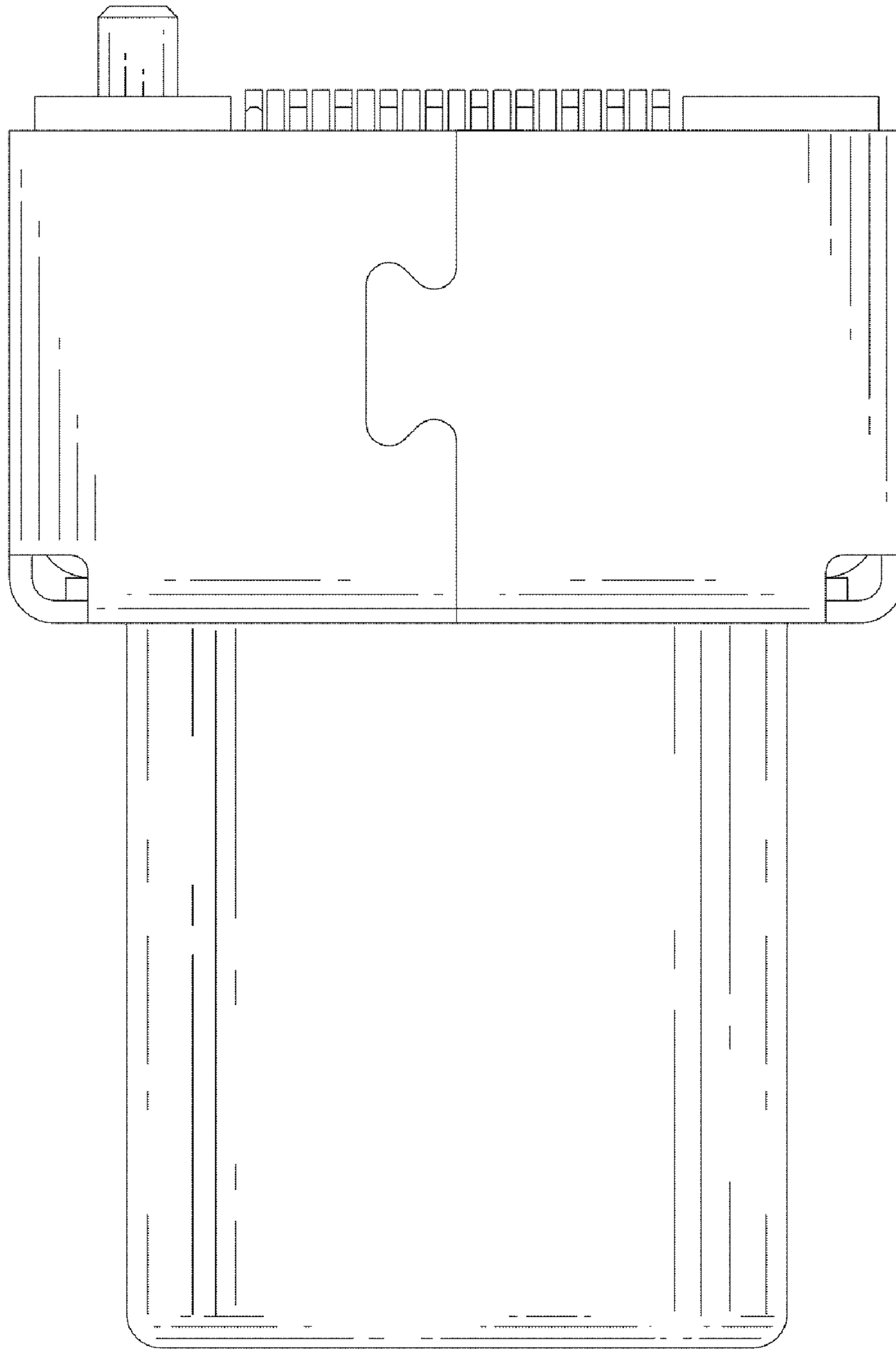


FIG. 6

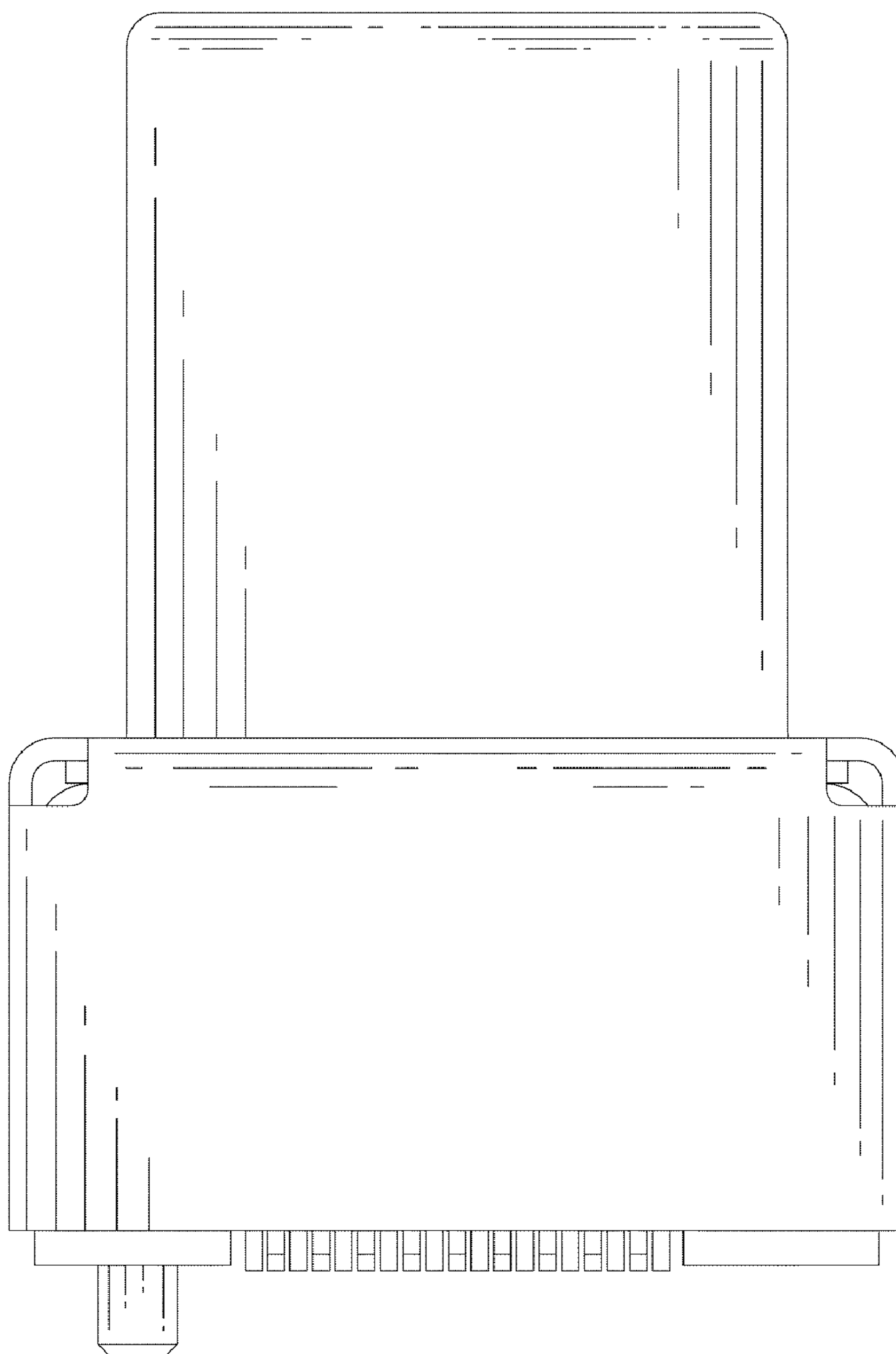


FIG. 7



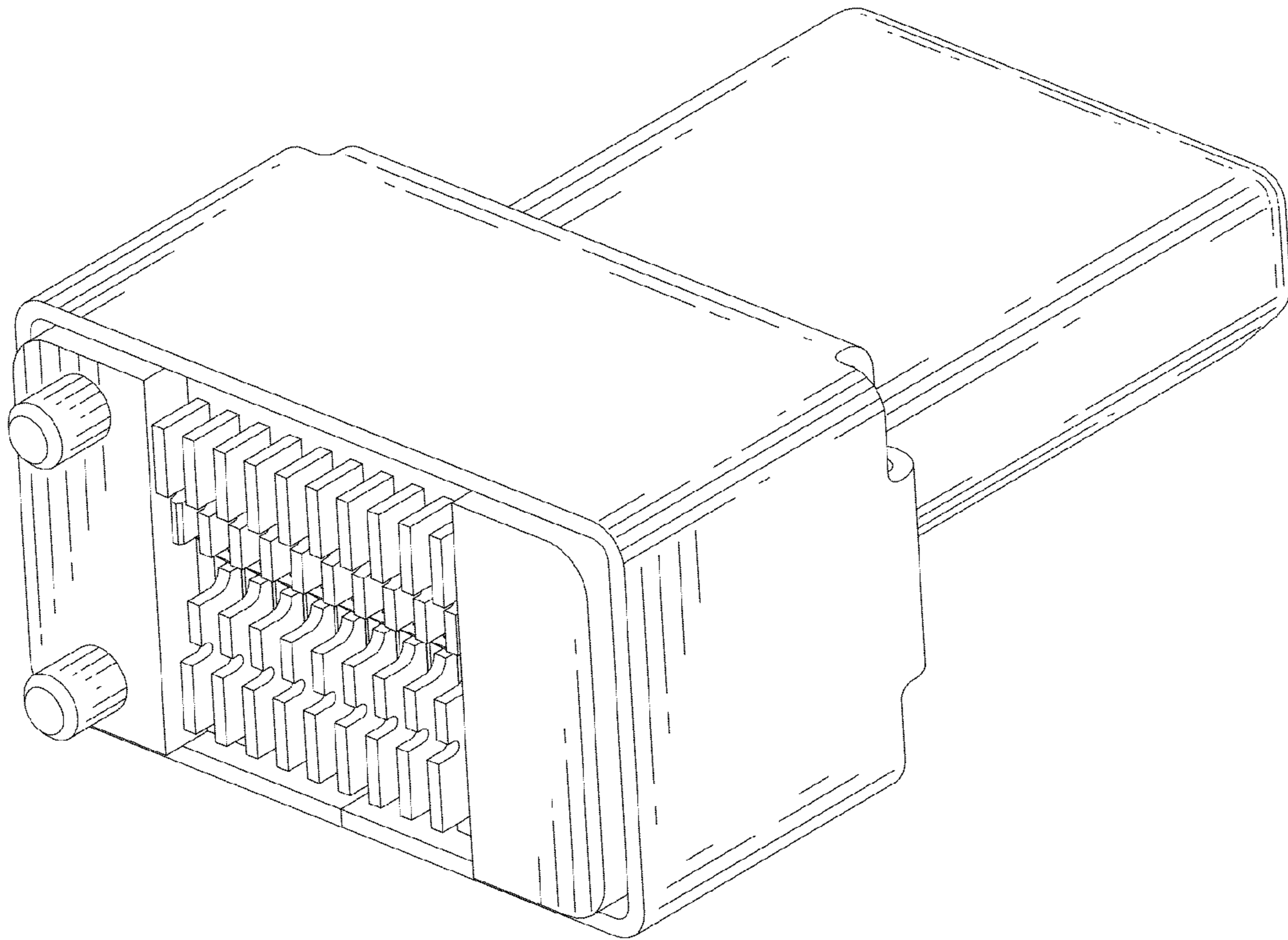


FIG. 8