



US00D647859S

(12) **United States Design Patent**
Liu et al.

(10) **Patent No.:** **US D647,859 S**

(45) **Date of Patent:** **** Nov. 1, 2011**

(54) **CARD CONNECTOR**

(75) Inventors: **Zhu-Rui Liu**, Guang-Dong (CN);
Jui-Ming Chang, New Taipei (TW)

(73) Assignee: **Cheng Uei Precision Industry Co., Ltd.**, New Taipei (TW)

(**) Term: **14 Years**

(21) Appl. No.: **29/387,627**

(22) Filed: **Mar. 15, 2011**

(51) **LOC (9) Cl.** **13-03**

(52) **U.S. Cl.** **D13/147**

(58) **Field of Classification Search** D13/120,
D13/146, 147, 154, 184, 199; D14/432,
D14/433, 435, 436, 438; 439/64, 79, 159-160,
439/330-331, 341-342, 629-630, 636, 660,
439/773, 860, 946

See application file for complete search history.

(56) **References Cited**

U.S. PATENT DOCUMENTS

D520,957 S * 5/2006 Chang et al. D13/147
D528,986 S * 9/2006 Su D13/147
D566,655 S * 4/2008 Chen et al. D13/147

D580,363 S * 11/2008 Hung D13/147
D580,868 S * 11/2008 Chen D13/147
D589,894 S * 4/2009 Hung et al. D13/147

* cited by examiner

Primary Examiner — Daniel Bui

(74) *Attorney, Agent, or Firm* — Cheng-Ju Chiang

(57) **CLAIM**

The ornamental design for a card connector, as shown and described.

DESCRIPTION

FIG. 1 is a perspective view of a card connector showing our new design;

FIG. 2 is a front elevational view thereof;

FIG. 3 is a rear elevational view thereof;

FIG. 4 is a left side elevational view thereof;

FIG. 5 is a right side elevational view thereof;

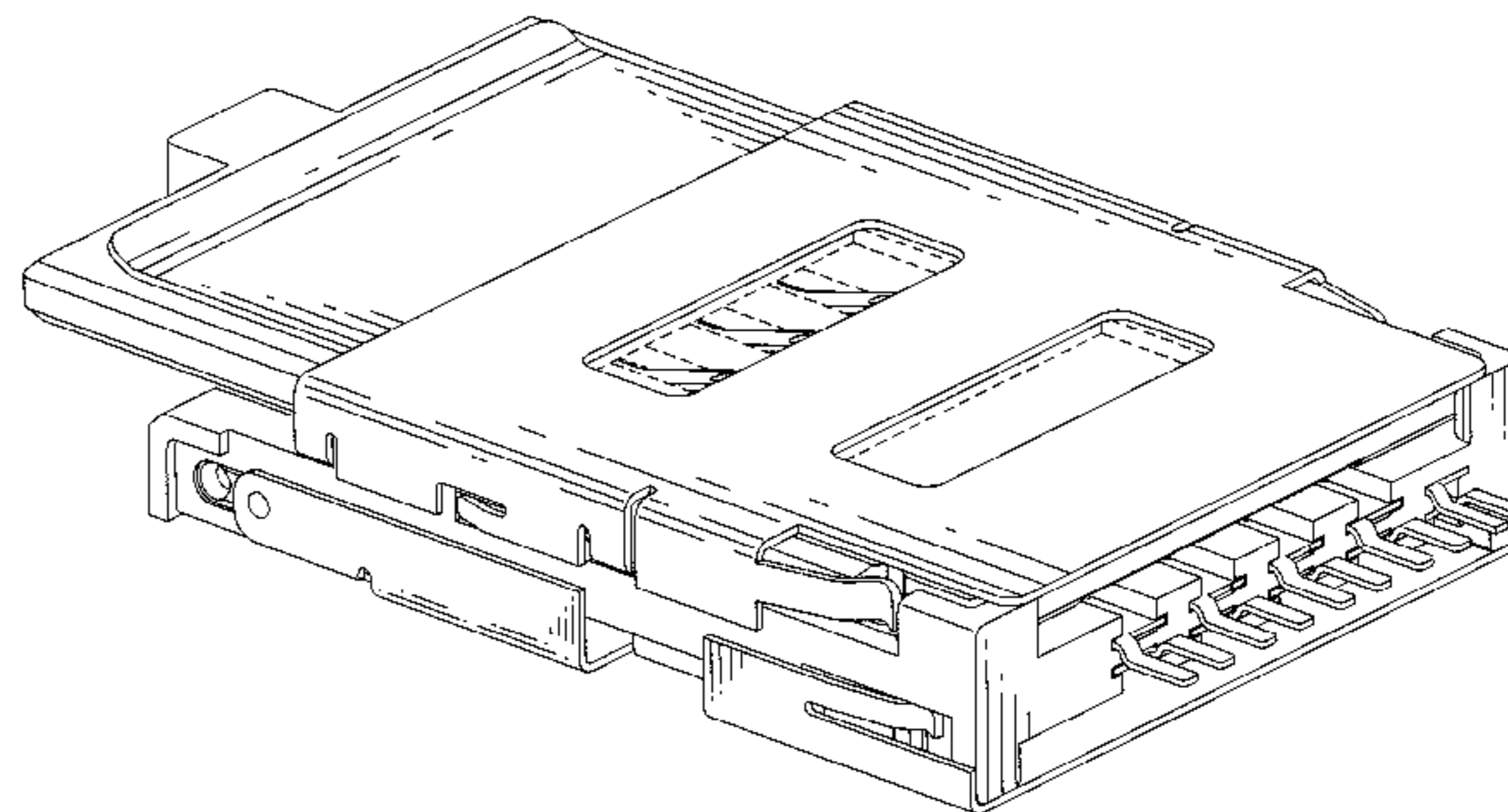
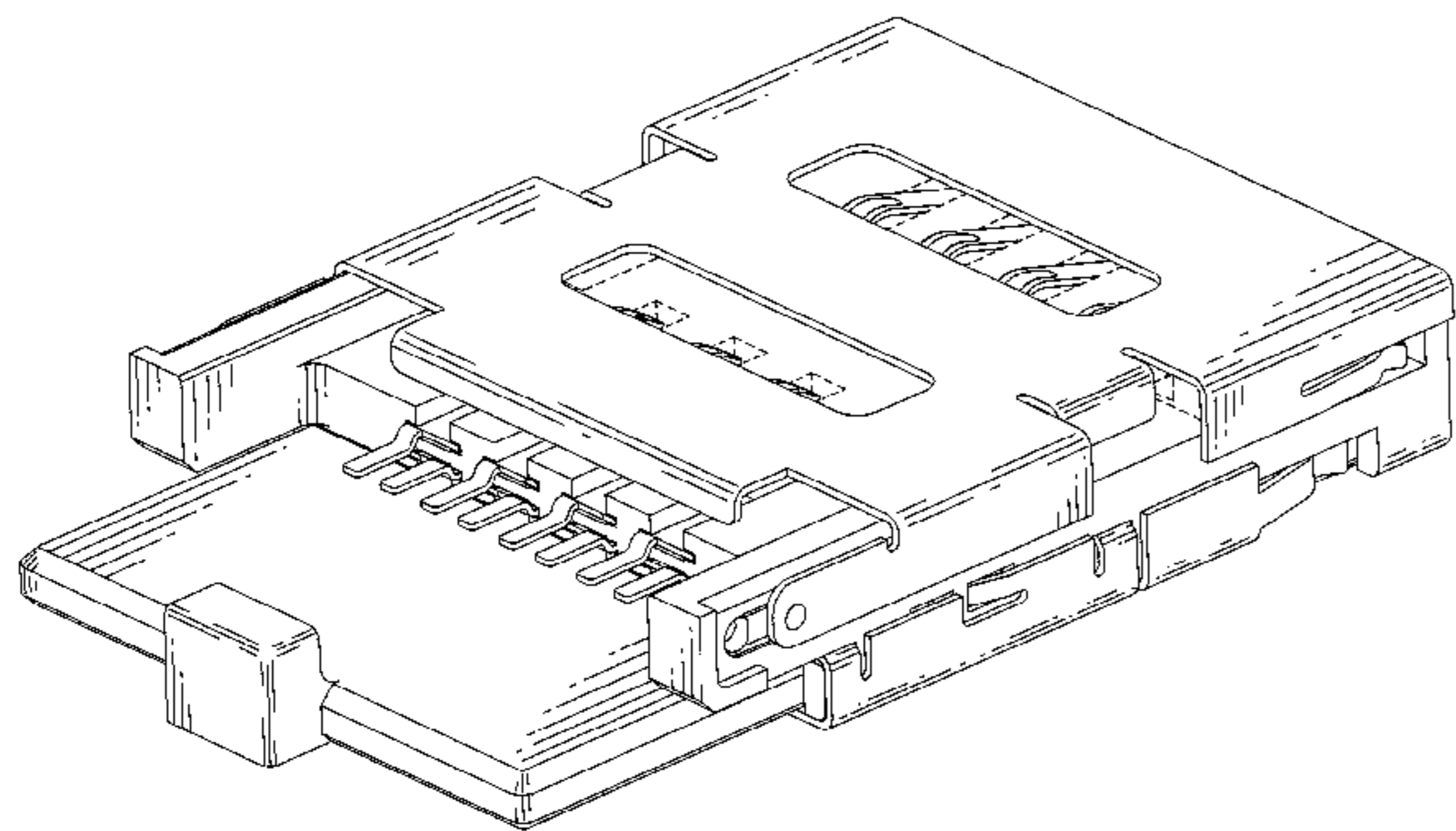
FIG. 6 is a top plan view thereof;

FIG. 7 is a bottom plan view thereof; and,

FIG. 8 is another perspective view of the card connector showing our new design.

The broken line portion of the figure drawings is included to show unclaimed subject matter only and forms no part of the claimed design.

1 Claim, 8 Drawing Sheets



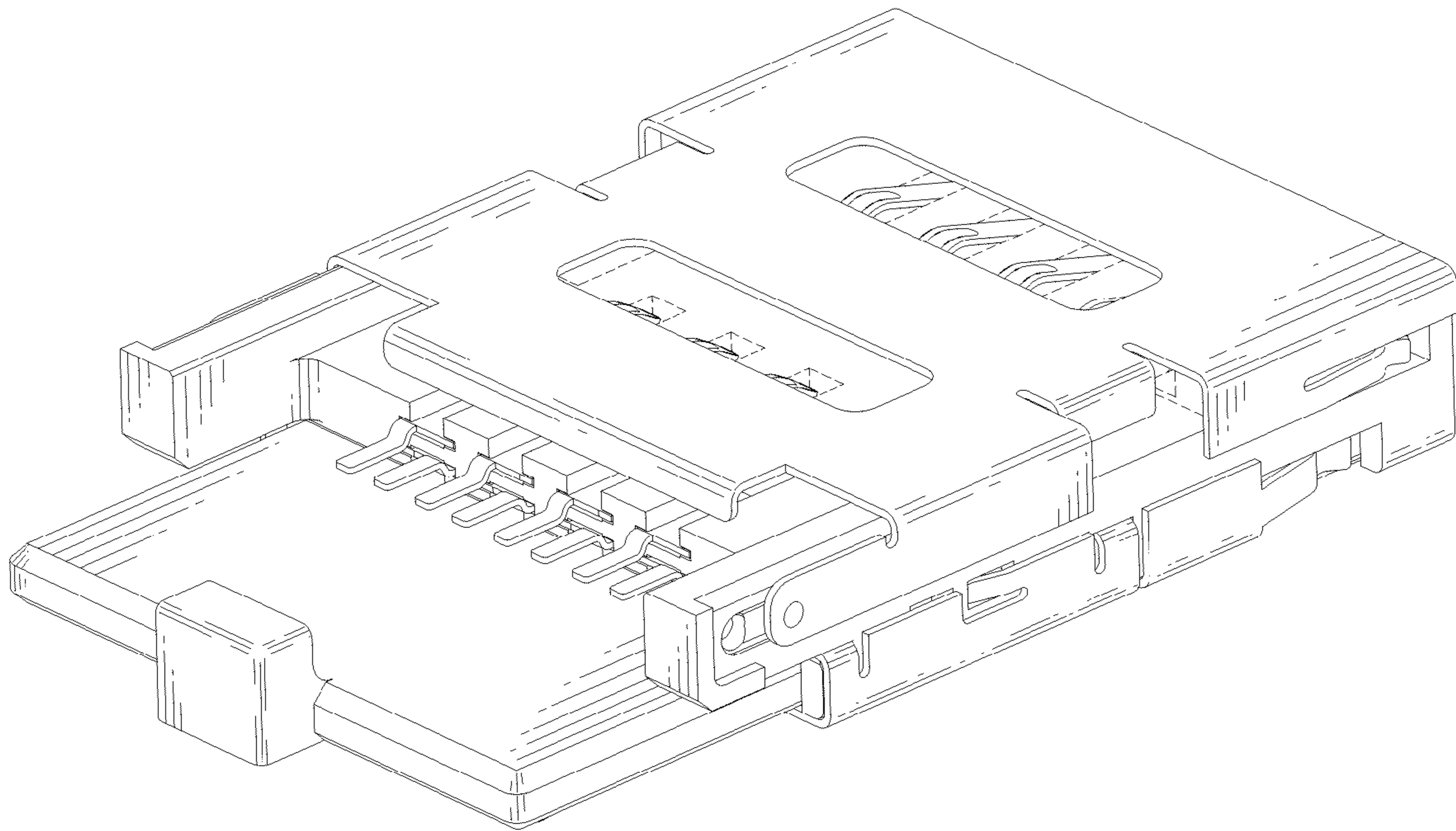


FIG. 1

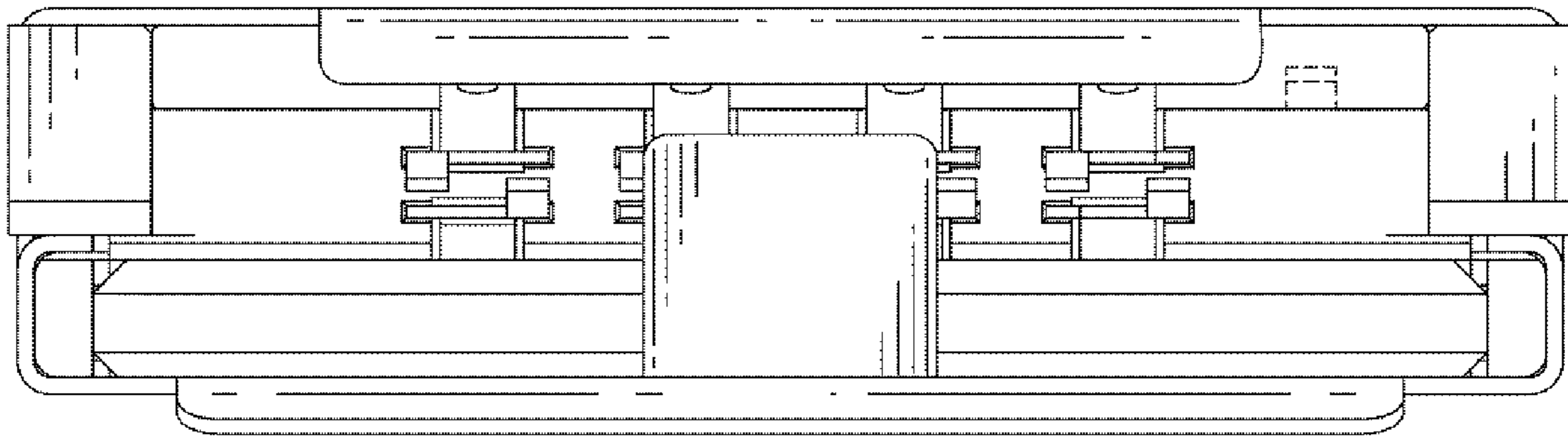


FIG. 2

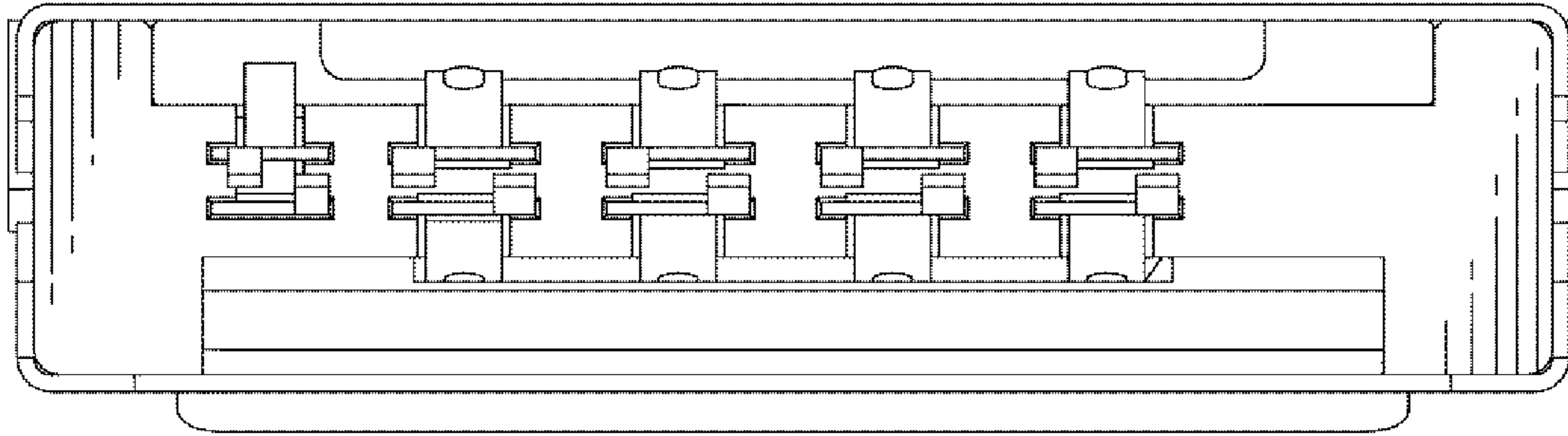


FIG. 3

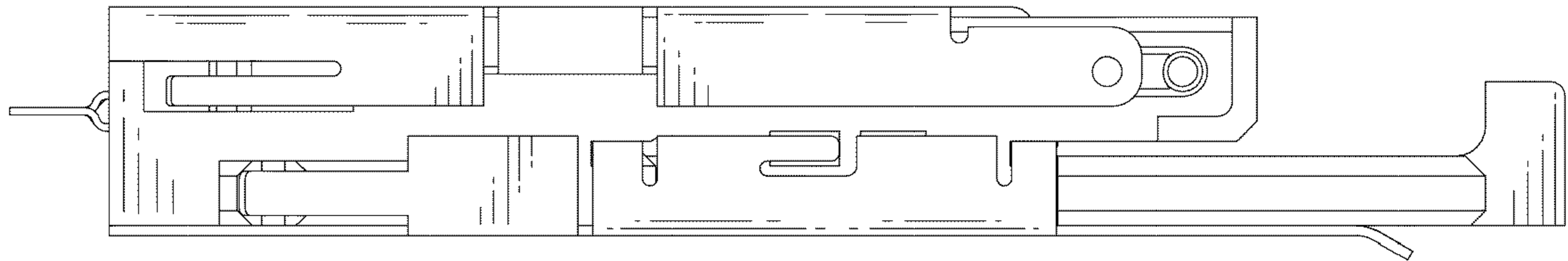


FIG. 4

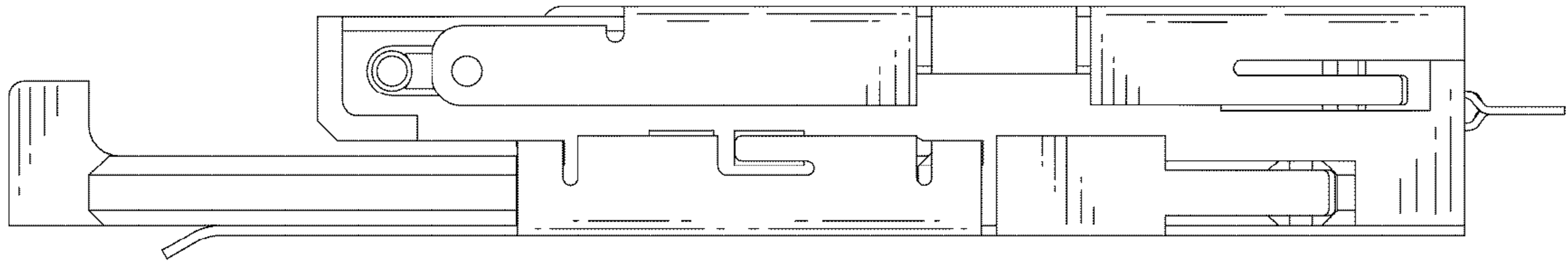


FIG. 5

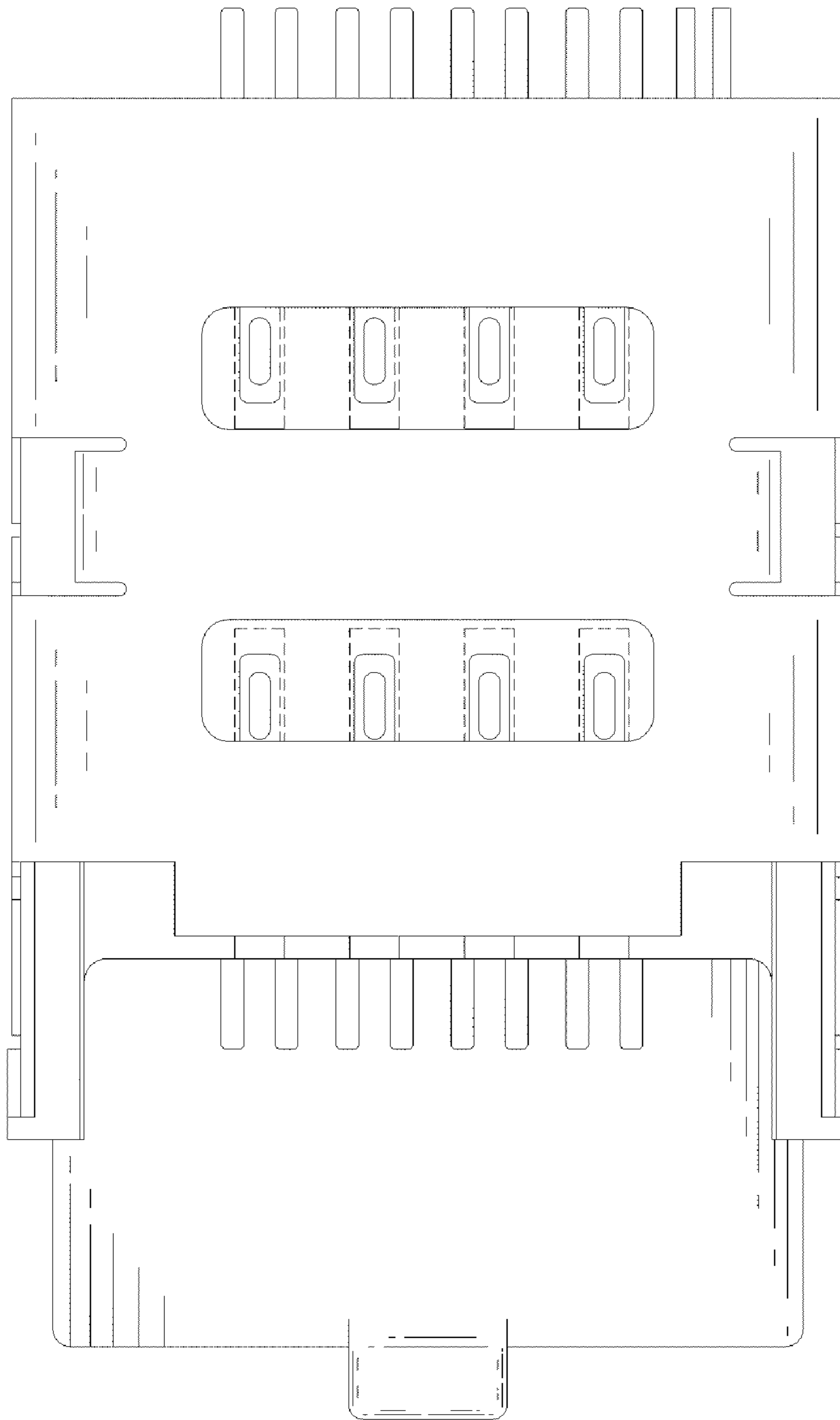


FIG. 6

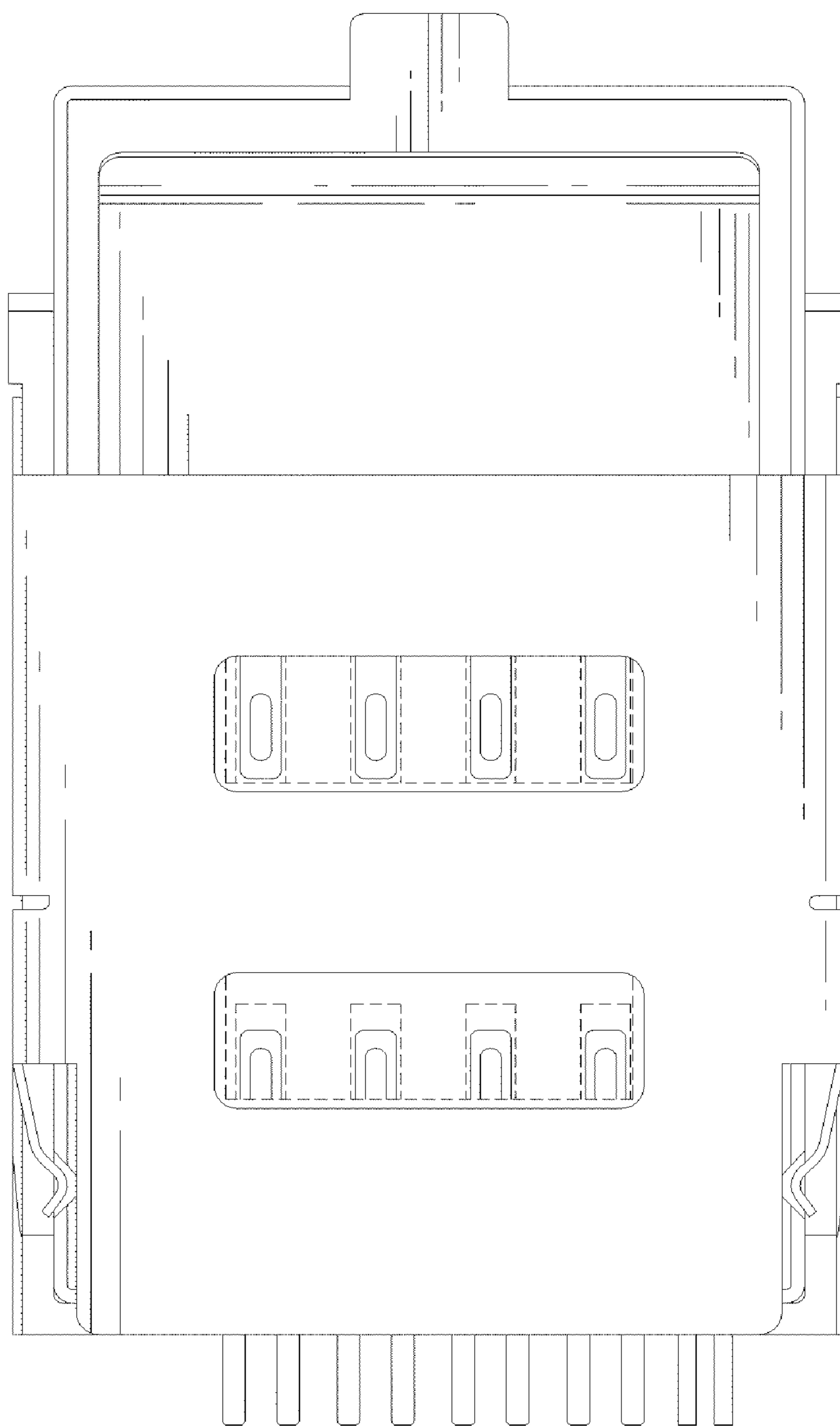


FIG. 7

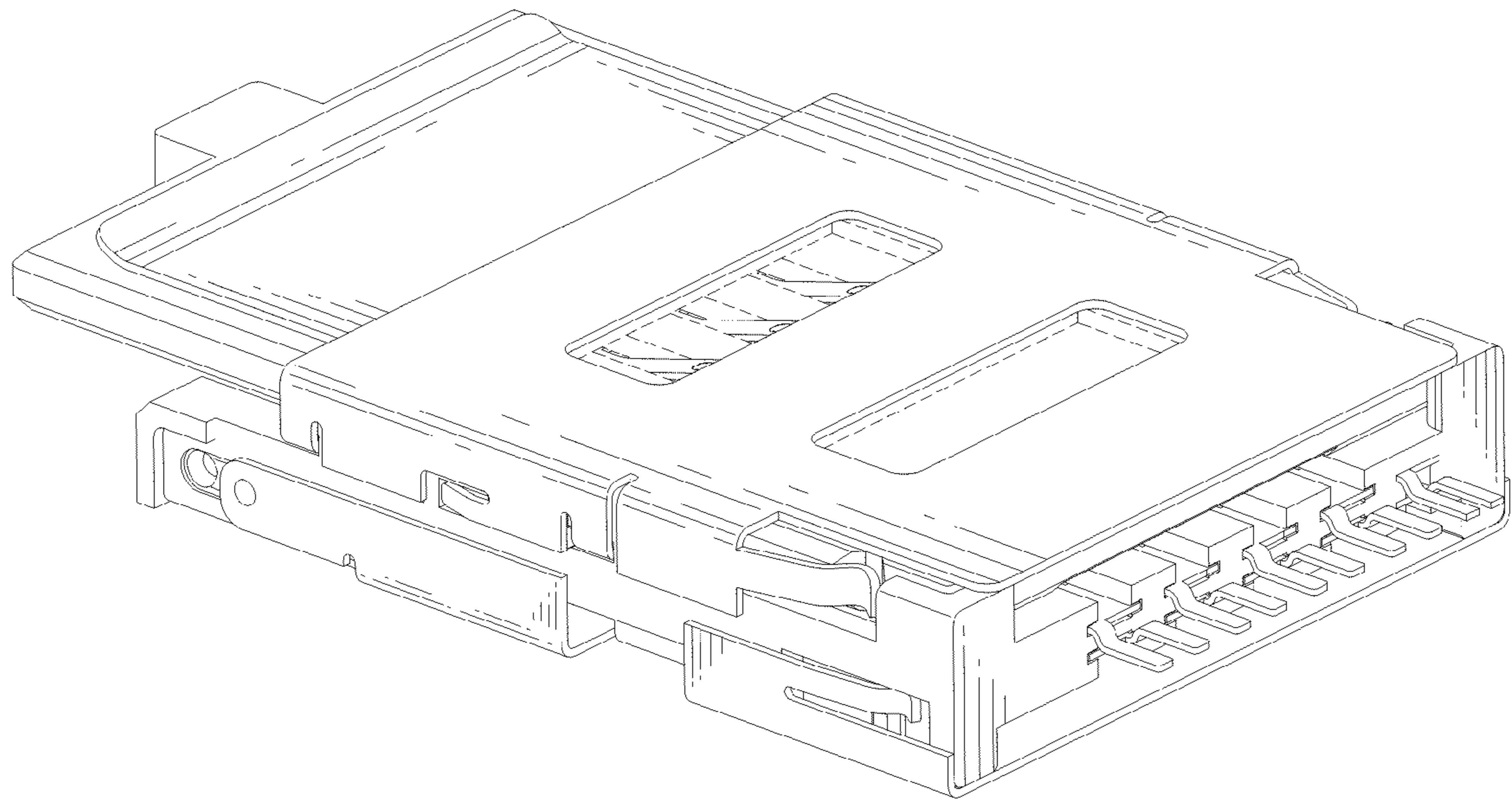


FIG. 8