



US00D647858S

(12) **United States Design Patent**  
**Huang et al.**

(10) **Patent No.:** **US D647,858 S**

(45) **Date of Patent:** **\*\* Nov. 1, 2011**

(54) **RECEPTACLE CONNECTOR**

(75) Inventors: **Guang-Li Huang**, Guang-Dong (CN);  
**Li-Jun Xu**, Guang-Dong (CN)

(73) Assignee: **Cheng Uei Precision Industry Co., Ltd.**, New Taipei (TW)

(\*\*) Term: **14 Years**

(21) Appl. No.: **29/386,026**

(22) Filed: **Feb. 23, 2011**

(51) **LOC (9) Cl.** ..... **13-03**

(52) **U.S. Cl.** ..... **D13/147**

(58) **Field of Classification Search** ..... D13/120,  
D13/133, 146, 147, 154, 184, 199; 439/180,  
439/246, 278, 374, 379, 381, 476.1, 527,  
439/529, 533, 607.01, 607.04, 607.23, 607.24,  
439/607.25, 607.35, 607.36, 607.37, 607.38,  
439/607.39, 607.4, 607.55, 607.56, 607.57,  
439/607.58

See application file for complete search history.

(56) **References Cited**

U.S. PATENT DOCUMENTS

D447,122	S	*	8/2001	Harasawa et al.	.....	D13/147
D596,573	S	*	7/2009	Lai et al.	.....	D13/147
D613,688	S	*	4/2010	Yang et al.	.....	D13/120
D620,445	S	*	7/2010	Yang et al.	.....	D13/147
D635,926	S	*	4/2011	Yu	.....	D13/147

\* cited by examiner

*Primary Examiner* — Daniel Bui

(74) *Attorney, Agent, or Firm* — Cheng-Ju Chiang

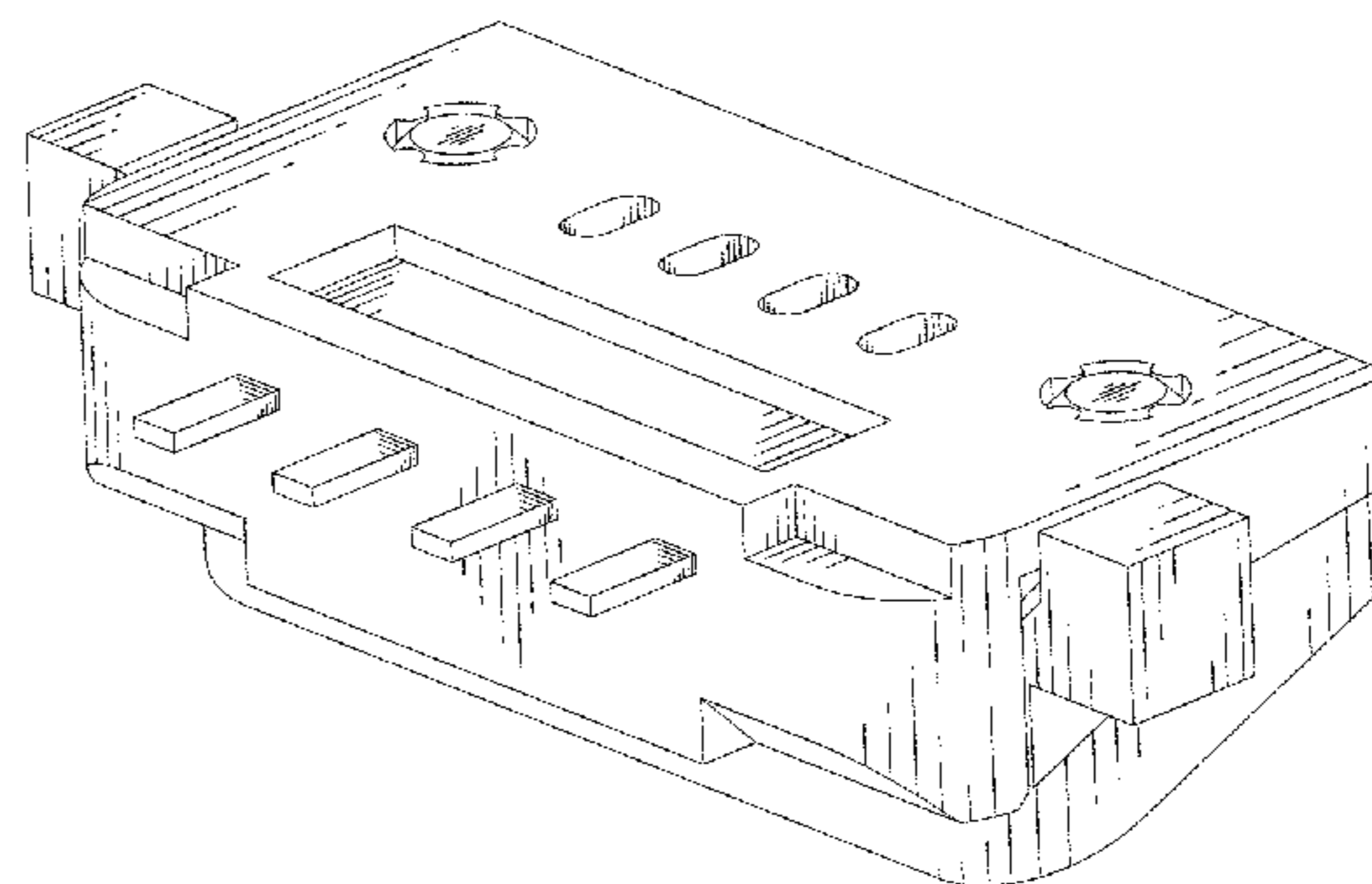
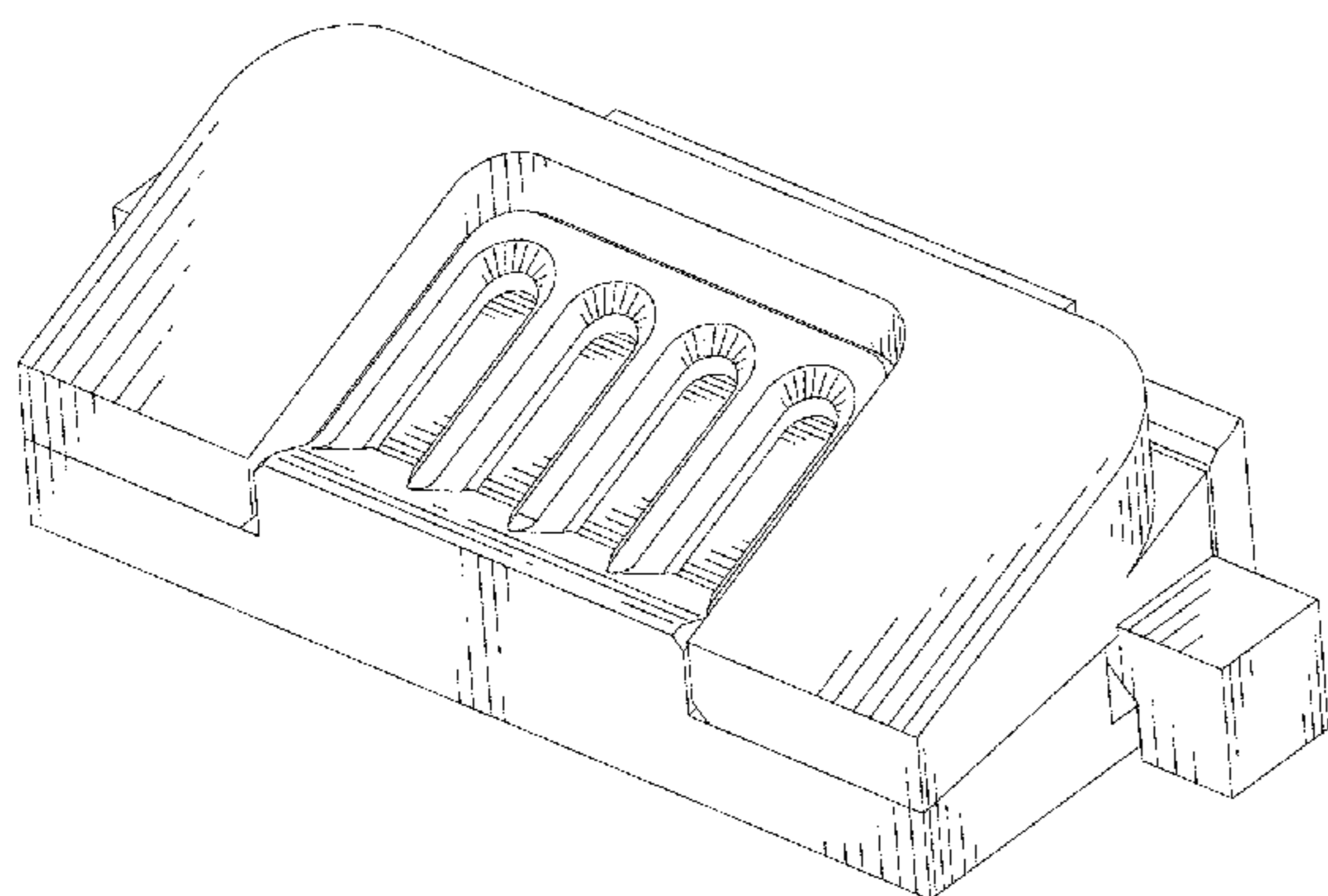
(57) **CLAIM**

The ornamental design for a receptacle connector, as shown and described.

**DESCRIPTION**

FIG. 1 is a perspective view of a receptacle connector showing our new design;  
FIG. 2 is a front elevational view thereof;  
FIG. 3 is a rear elevational view thereof;  
FIG. 4 is a left side elevational view thereof;  
FIG. 5 is a right side elevational view thereof;  
FIG. 6 is a top plan view thereof;  
FIG. 7 is a bottom plan view thereof; and,  
FIG. 8 is another perspective view of the receptacle connector showing our new design.

**1 Claim, 8 Drawing Sheets**



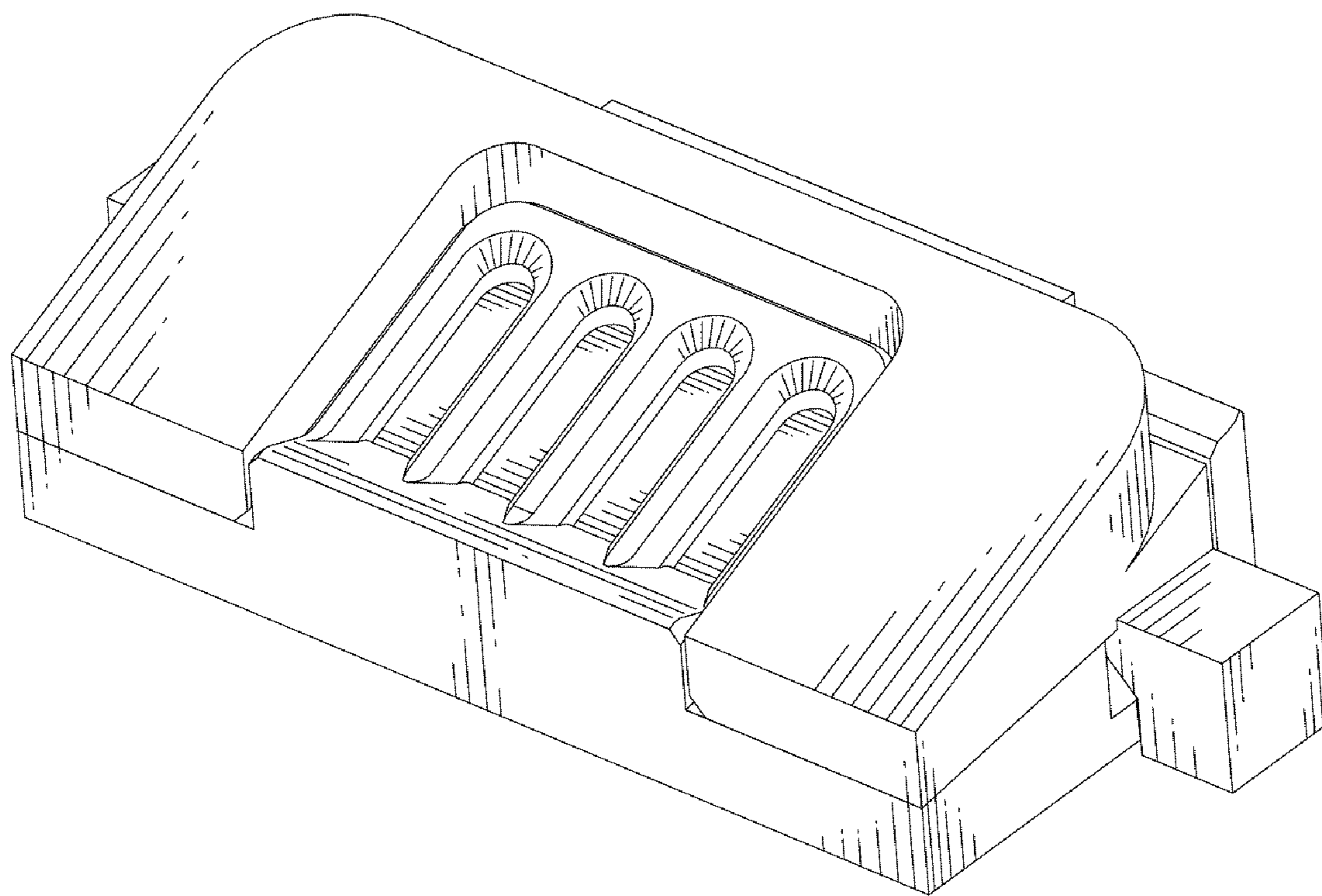


FIG. 1

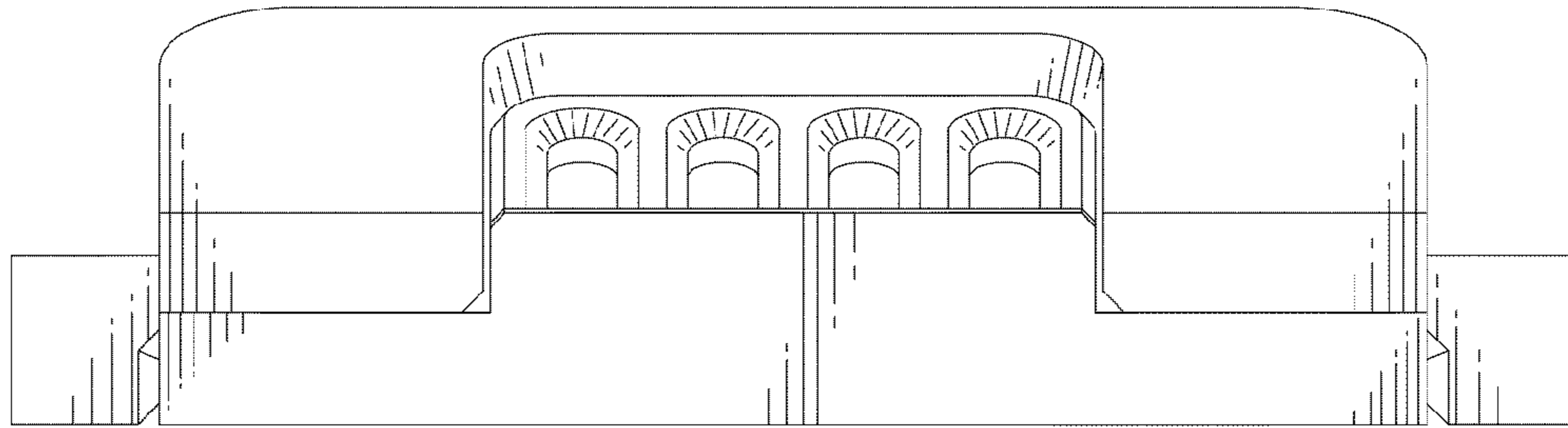


FIG. 2

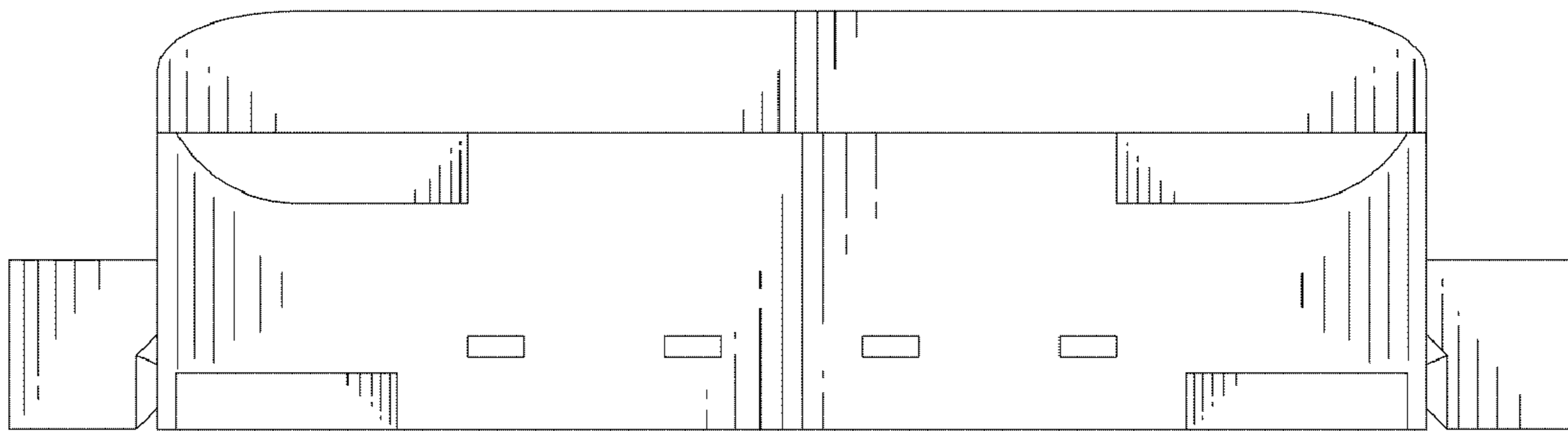


FIG. 3

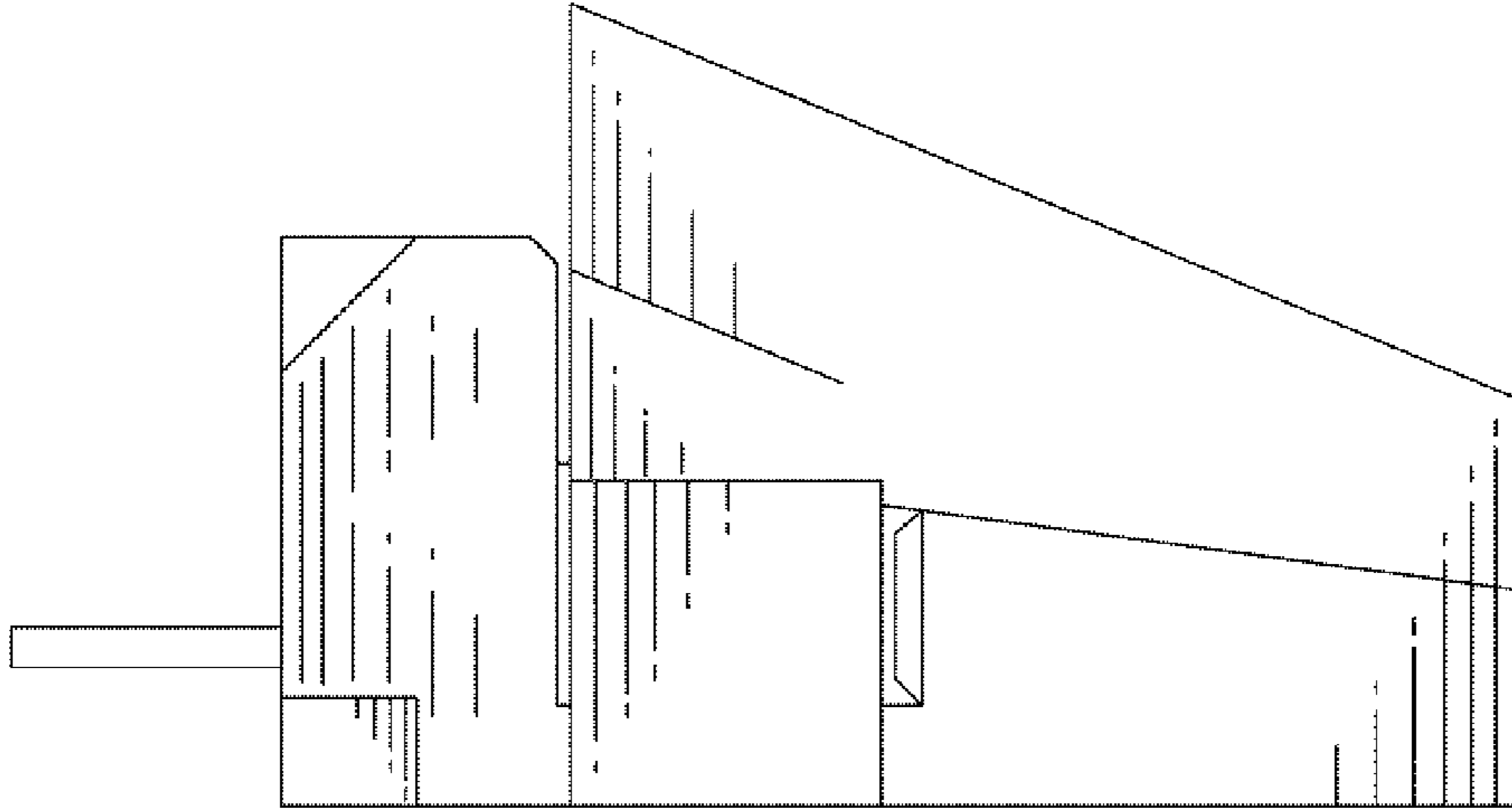


FIG. 4

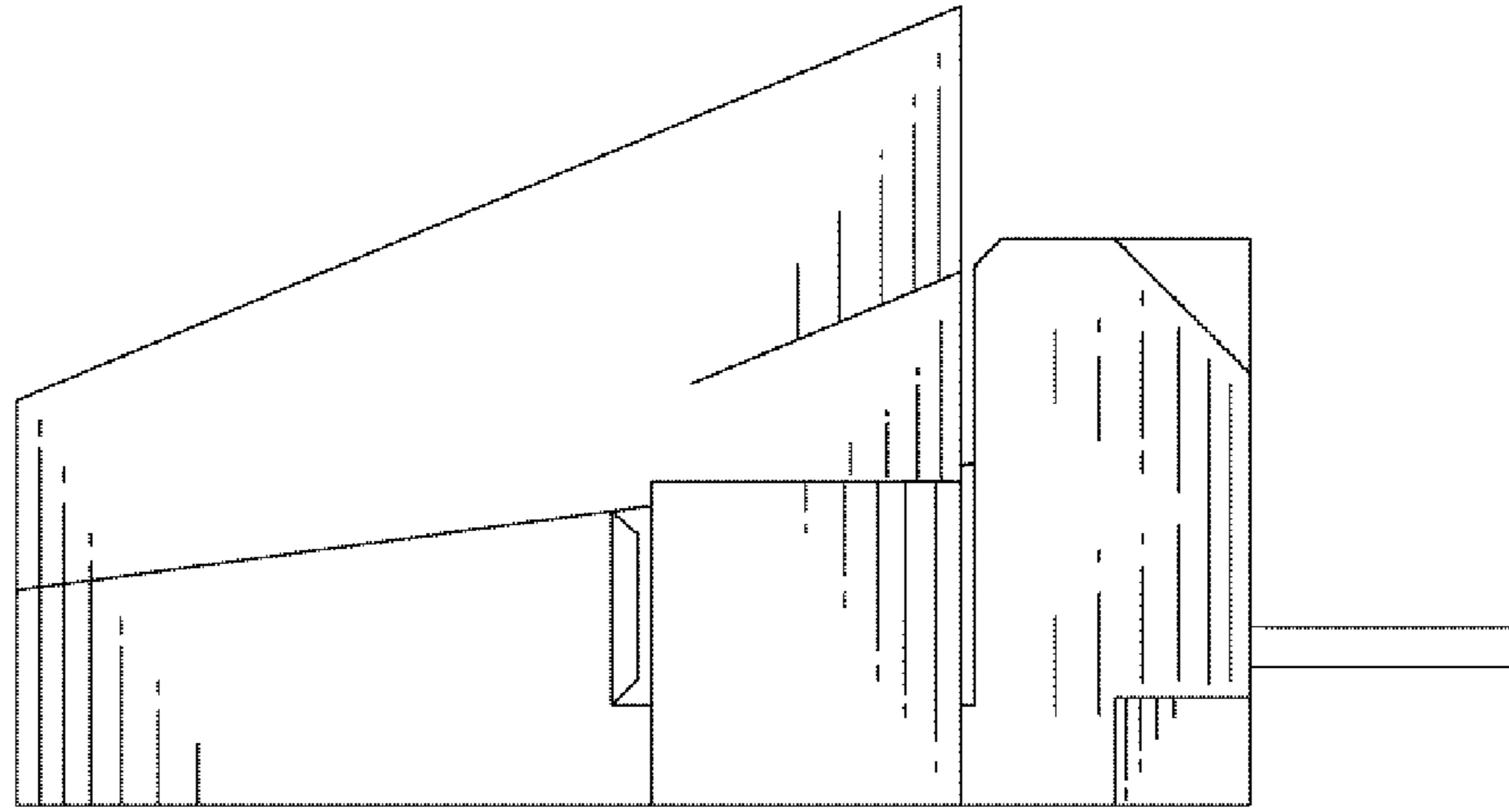


FIG. 5

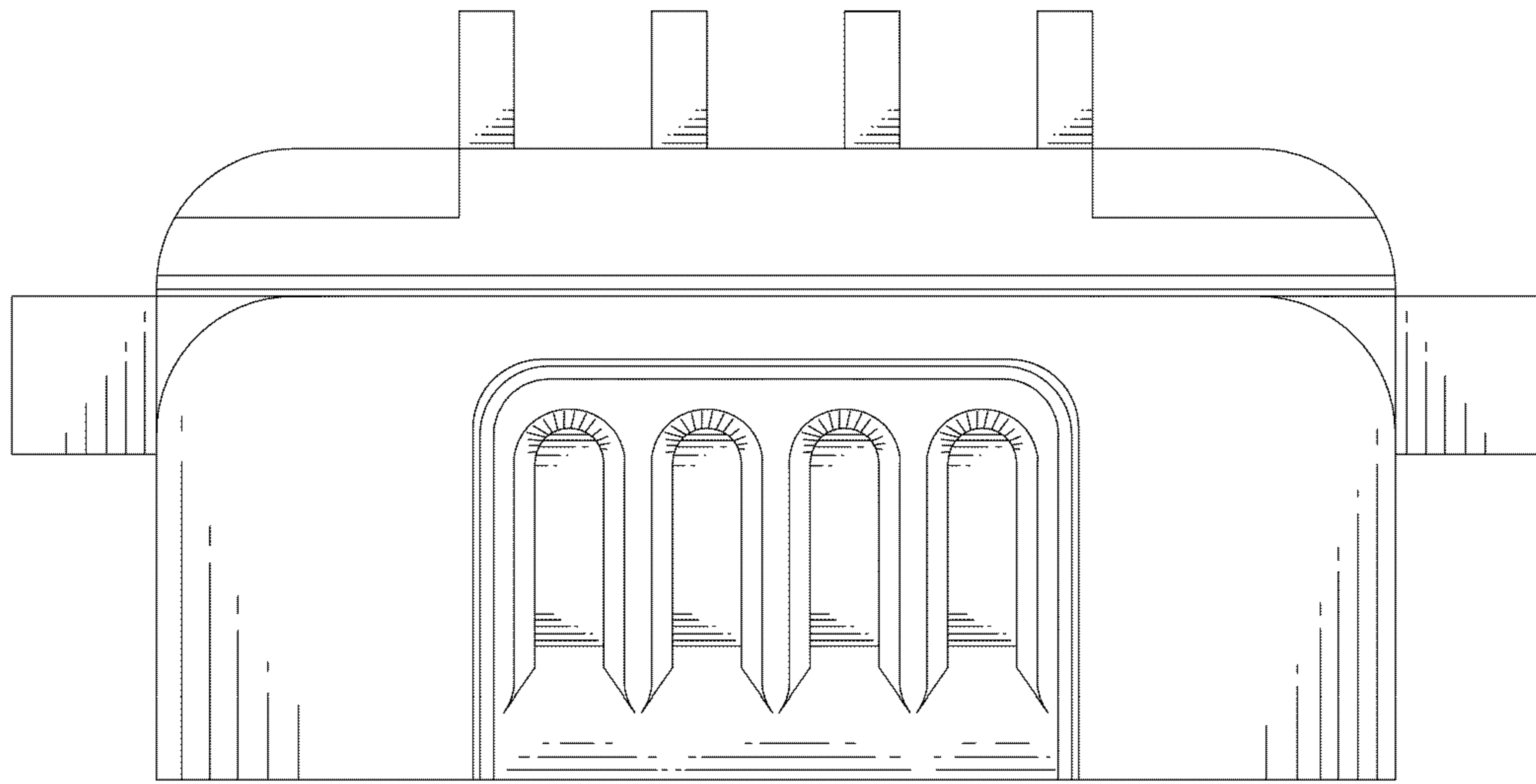


FIG. 6

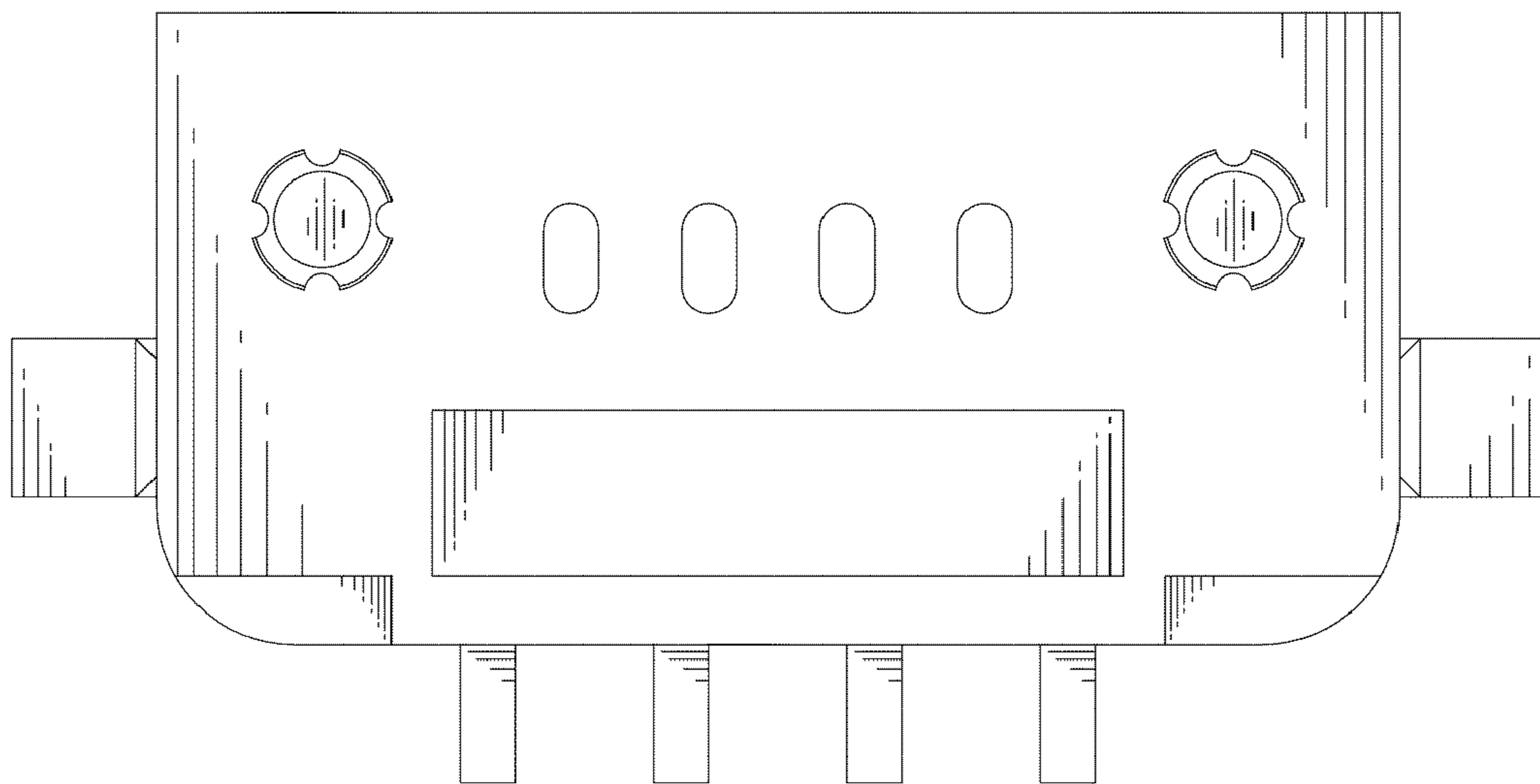


FIG. 7



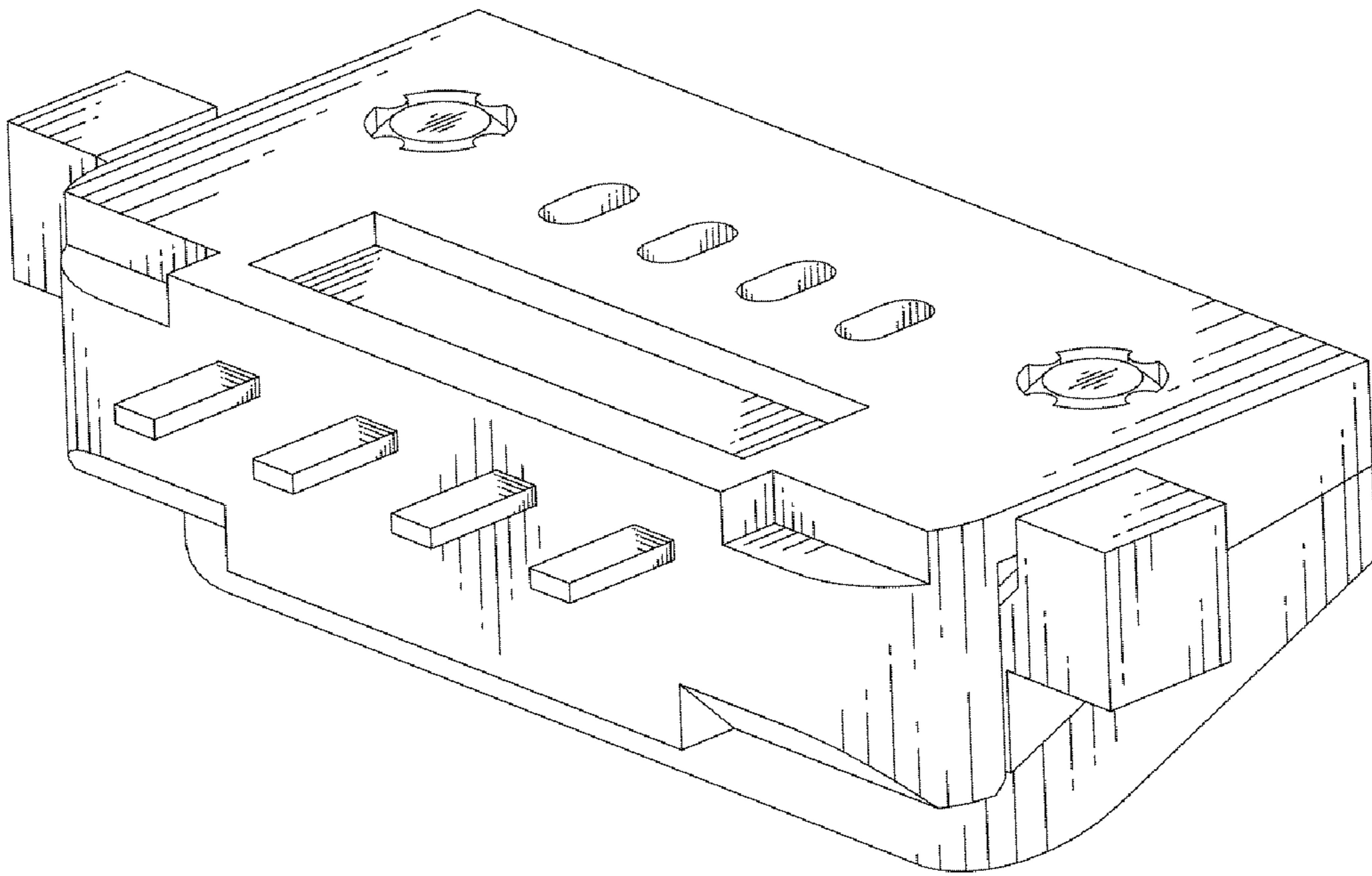


FIG. 8