



US00D647857S

(12) **United States Design Patent**  
**Huang et al.**

(10) **Patent No.:** **US D647,857 S**

(45) **Date of Patent:** **\*\* Nov. 1, 2011**

(54) **PLUG CONNECTOR**

(75) Inventors: **Guang-Li Huang**, Guang-Dong (CN);  
**Li-Jun Xu**, Guang-Dong (CN)

(73) Assignee: **Cheng Uei Precision Industry Co., Ltd.**, Tu-Cheng, Taipei Hsien (TW)

(\*\*) Term: **14 Years**

(21) Appl. No.: **29/385,262**

(22) Filed: **Feb. 10, 2011**

(51) **LOC (9) Cl.** ..... **13-03**

(52) **U.S. Cl.** ..... **D13/147**

(58) **Field of Classification Search** ..... D13/120,  
D13/133, 146, 147, 154, 184, 199; 439/180,  
439/246, 278, 374, 379, 381, 476.1, 527,  
439/529, 533, 607.01, 607.04, 607.23, 607.24,  
439/607.25, 607.35, 607.36, 607.37, 607.38,  
439/607.39, 607.4, 607.55, 607.56, 607.57,  
439/607.58

See application file for complete search history.

(56) **References Cited**

U.S. PATENT DOCUMENTS

D613,689 S \* 4/2010 Yang et al. .... D13/120  
D614,569 S \* 4/2010 Yang ..... D13/120

D618,172 S \* 6/2010 Yang ..... D13/120  
D618,622 S \* 6/2010 Chiang et al. .... D13/147  
D635,925 S \* 4/2011 Liu et al. .... D13/147

\* cited by examiner

*Primary Examiner* — Daniel Bui

(74) *Attorney, Agent, or Firm* — Cheng-Ju Chiang

(57) **CLAIM**

The ornamental design for a plug connector, as shown and described.

**DESCRIPTION**

FIG. 1 is a perspective view of a plug connector showing our new design;

FIG. 2 is a front elevational view thereof;

FIG. 3 is a rear elevational view thereof;

FIG. 4 is a left side elevational view thereof;

FIG. 5 is a right side elevational view thereof;

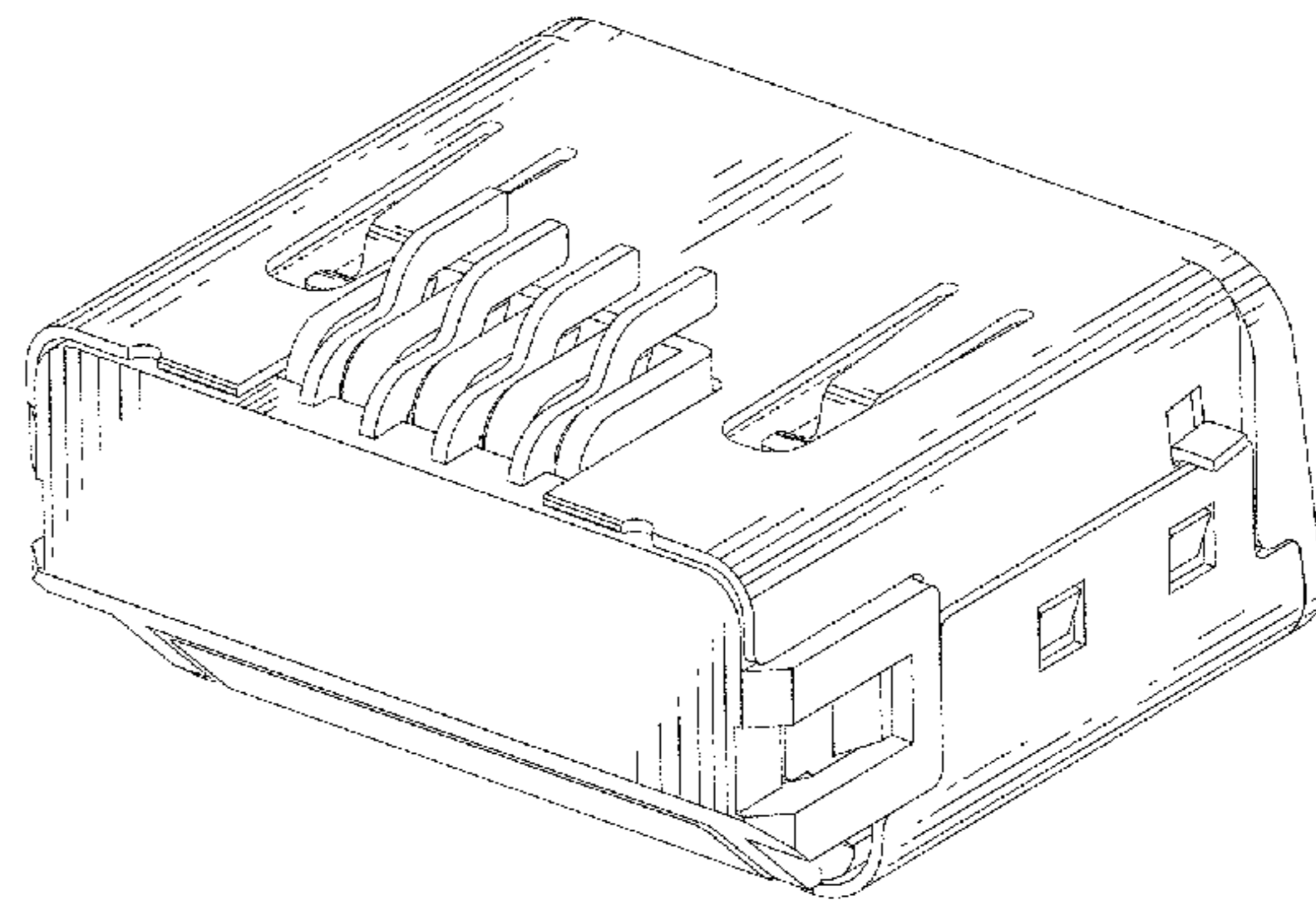
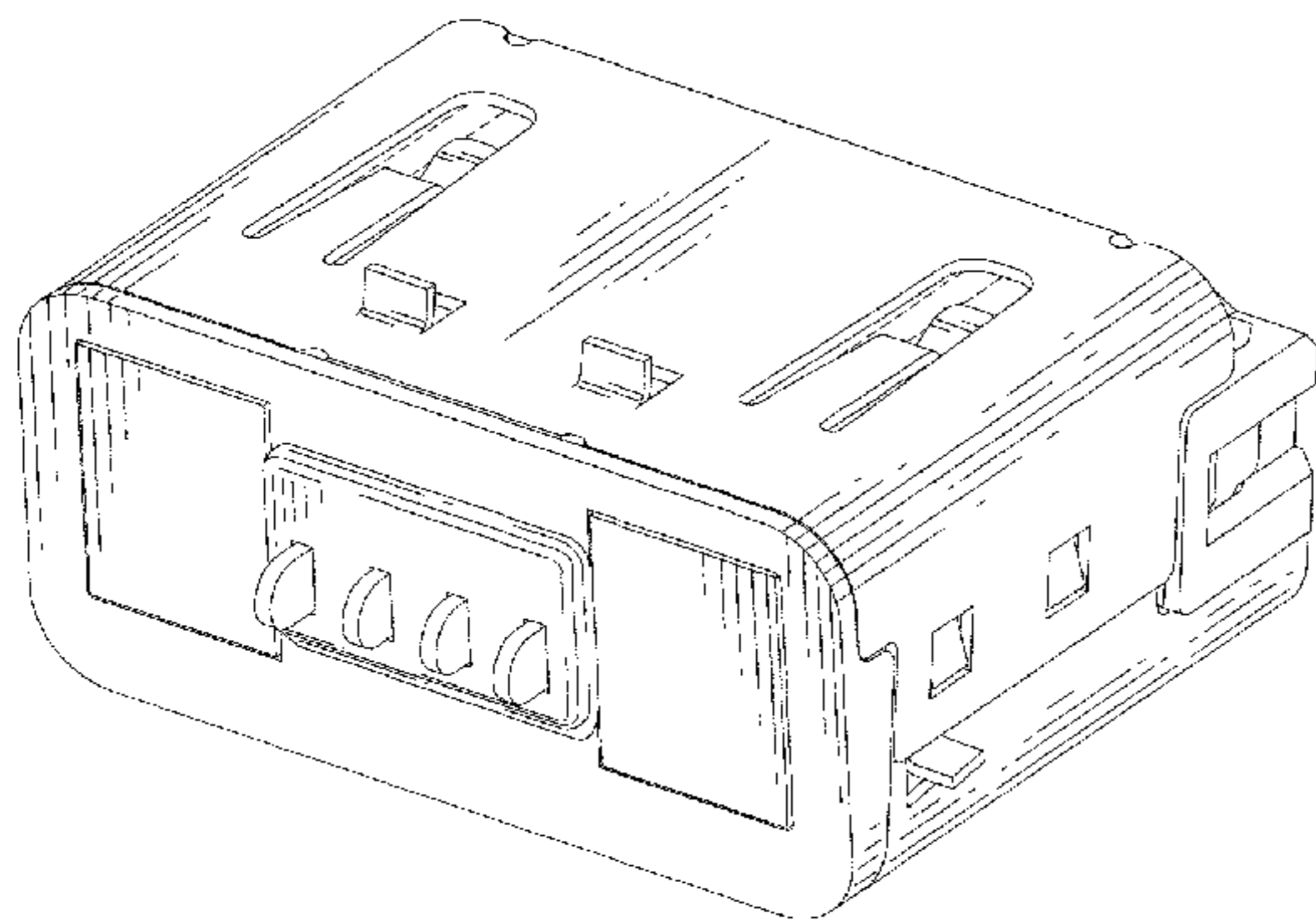
FIG. 6 is a top plan view thereof;

FIG. 7 is a bottom plan view thereof; and,

FIG. 8 is another perspective view of the plug connector showing our new design.

The broken line portion of the figure drawings is included to show unclaimed subject matter only and forms no part of the claimed design.

**1 Claim, 8 Drawing Sheets**



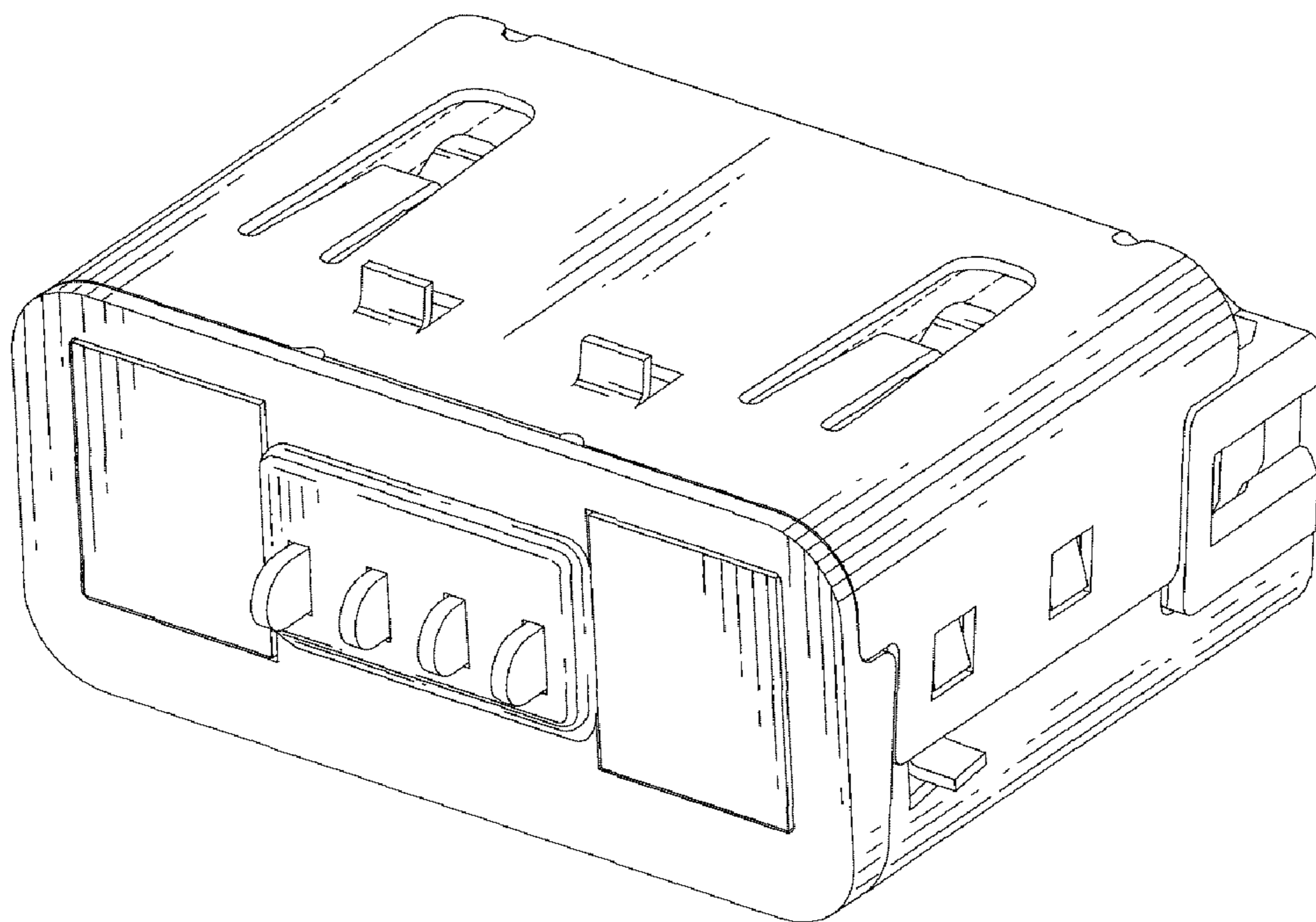


FIG. 1

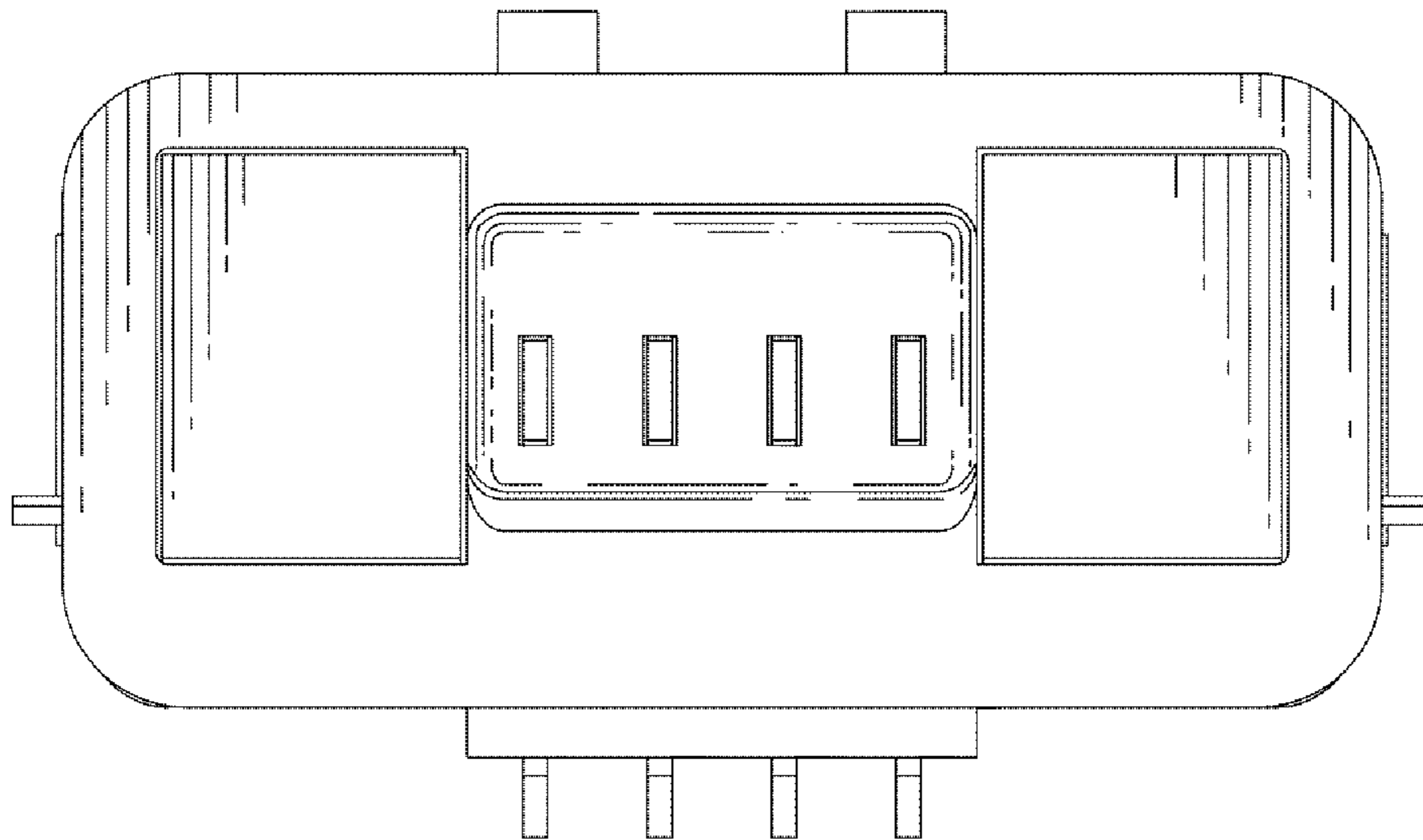


FIG. 2

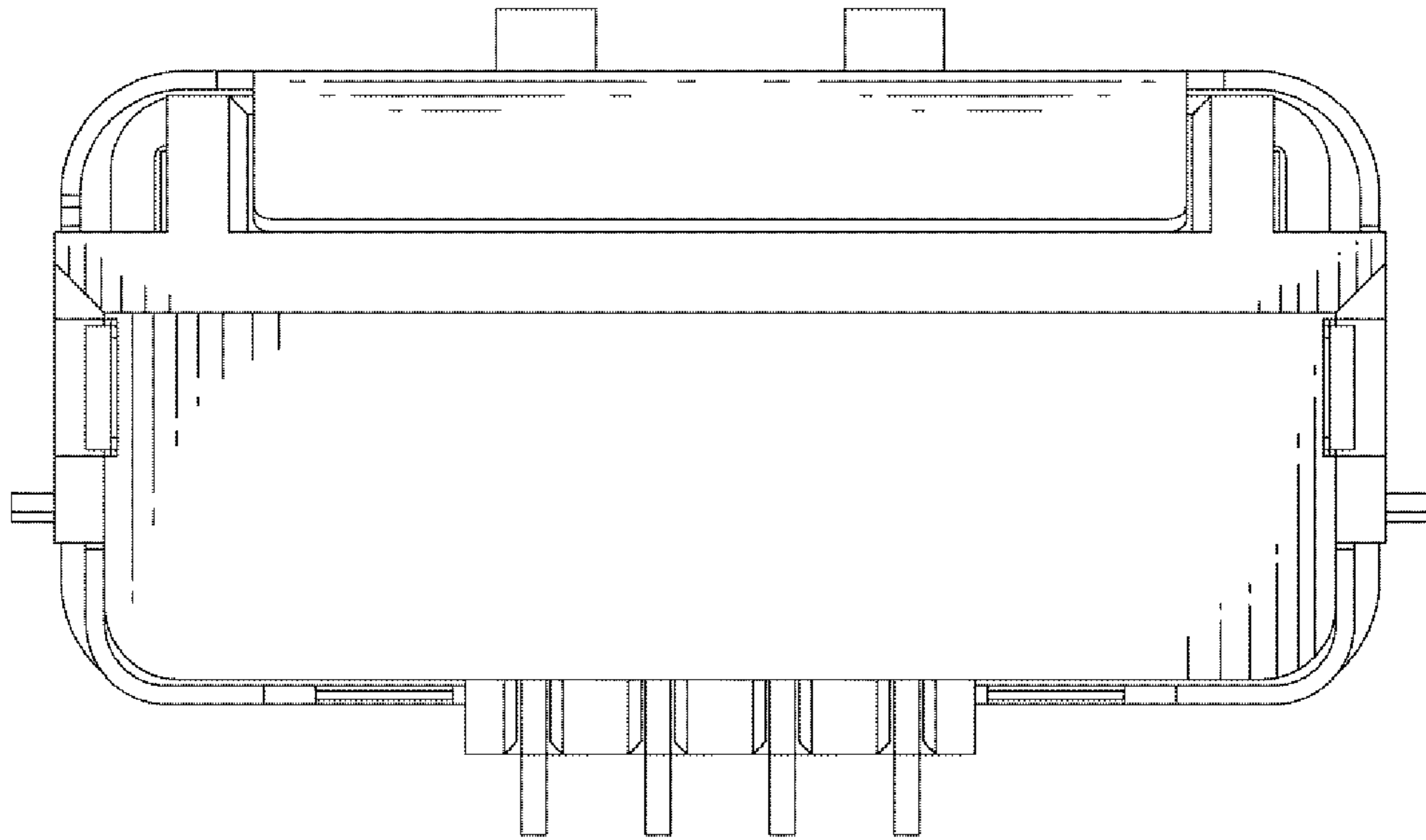


FIG. 3

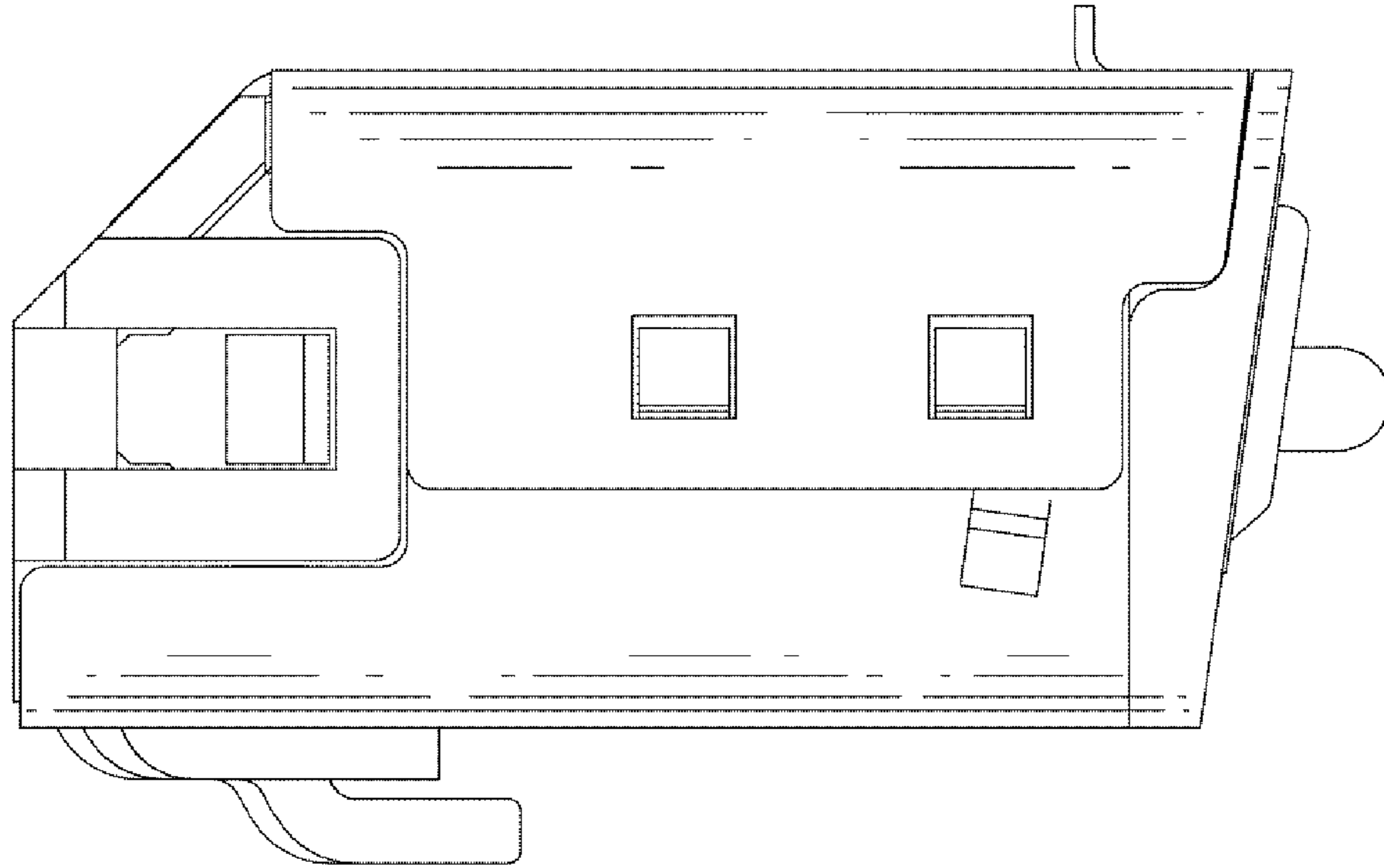


FIG. 4

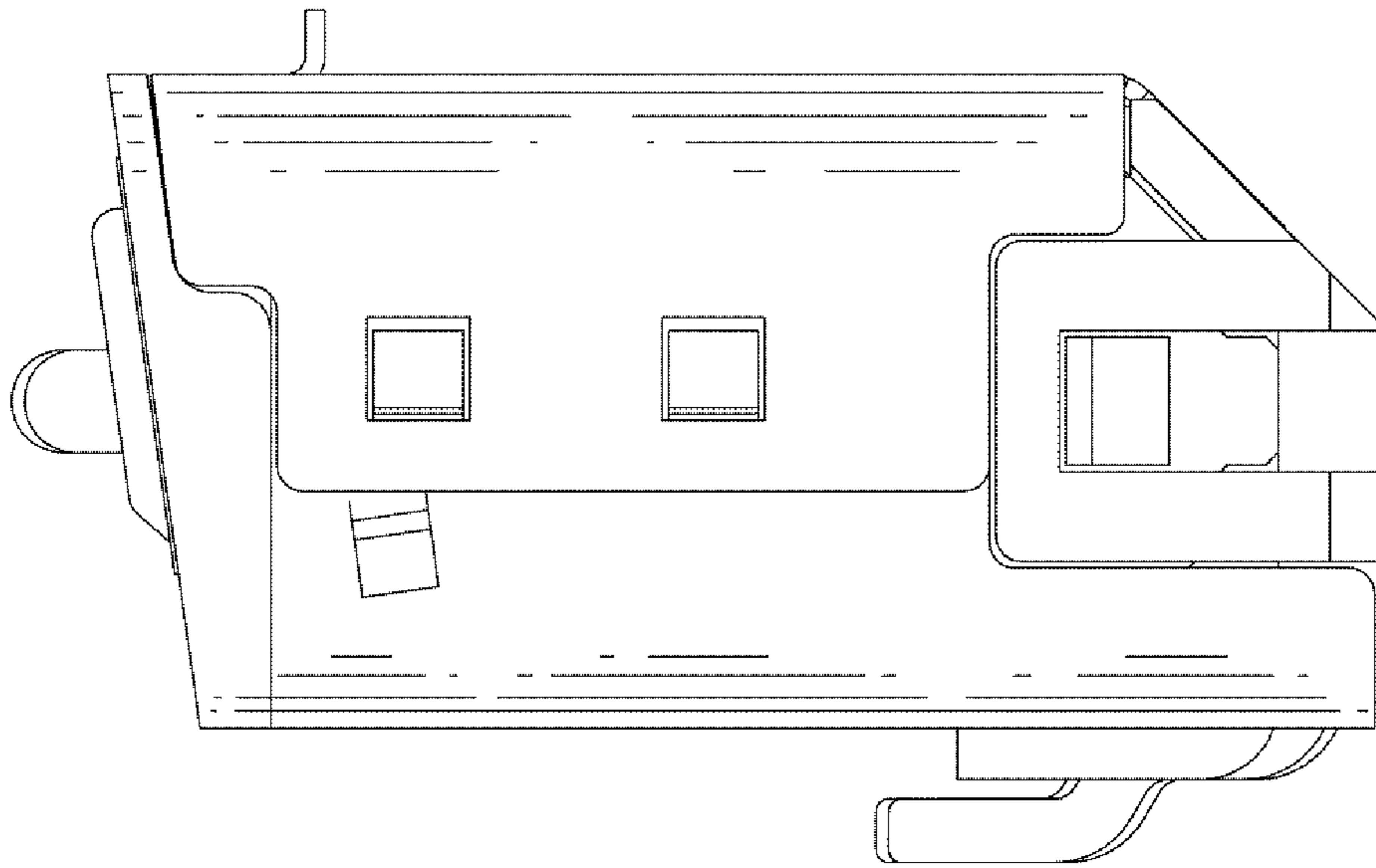


FIG. 5

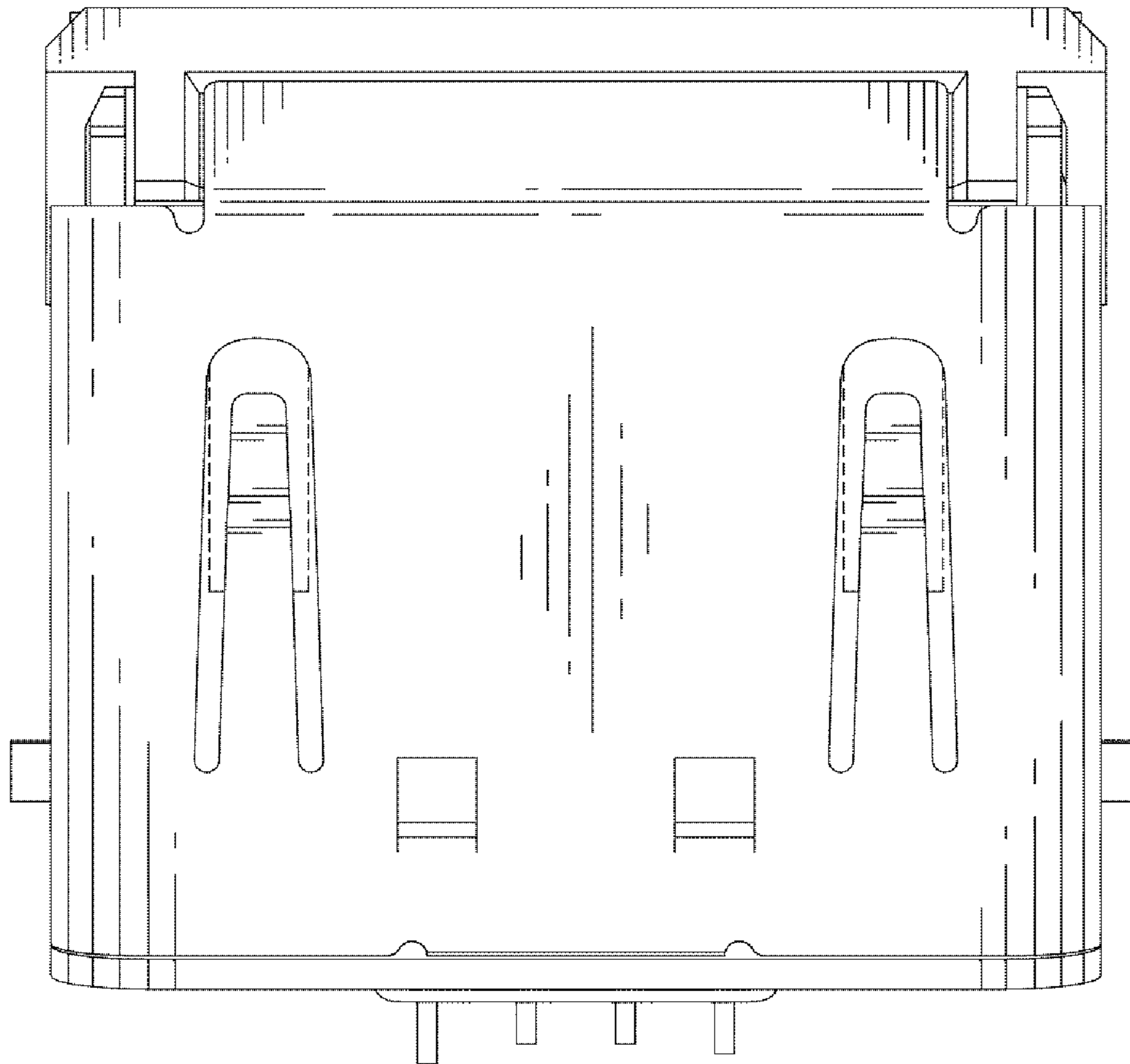


FIG. 6

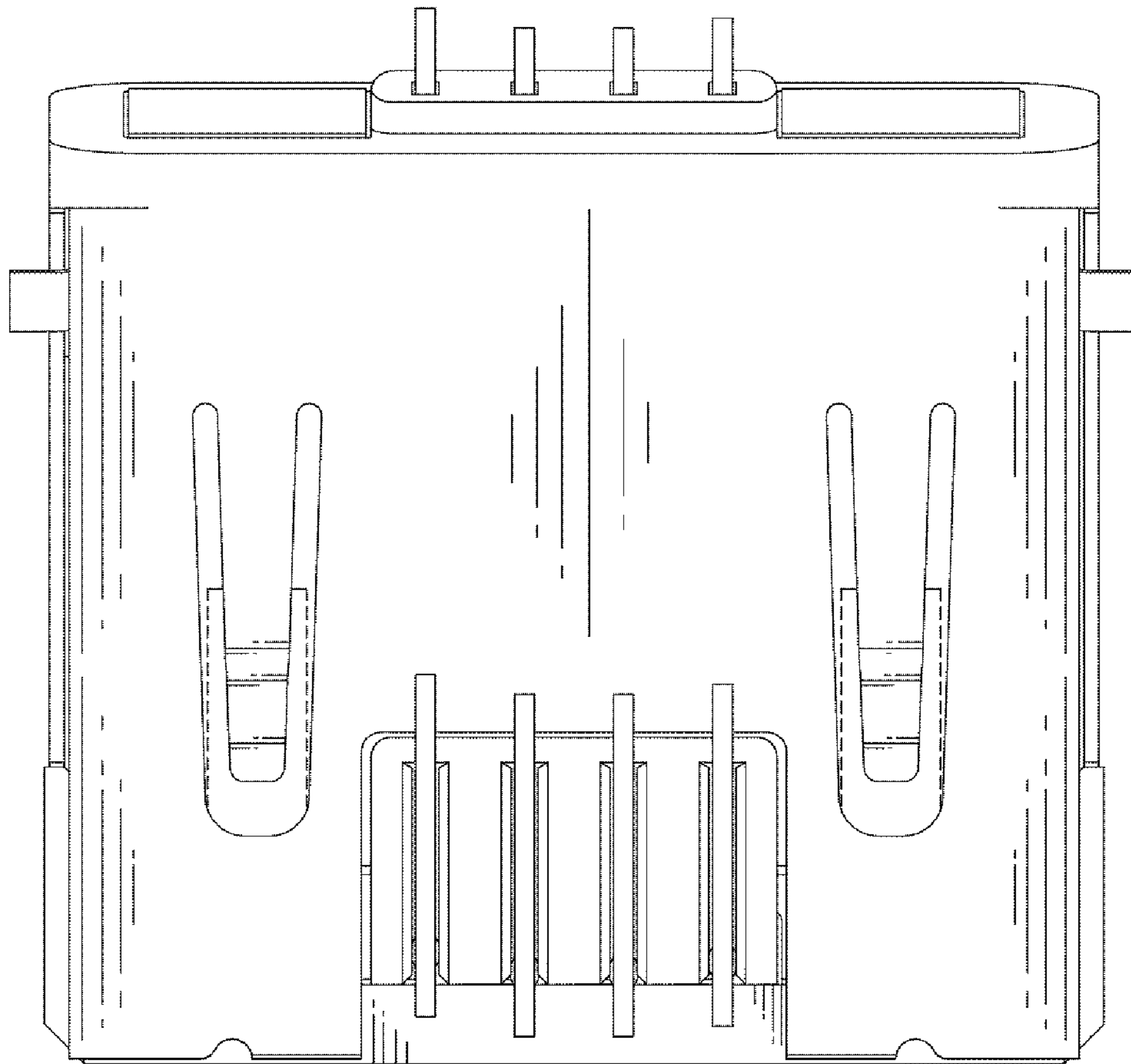


FIG. 7



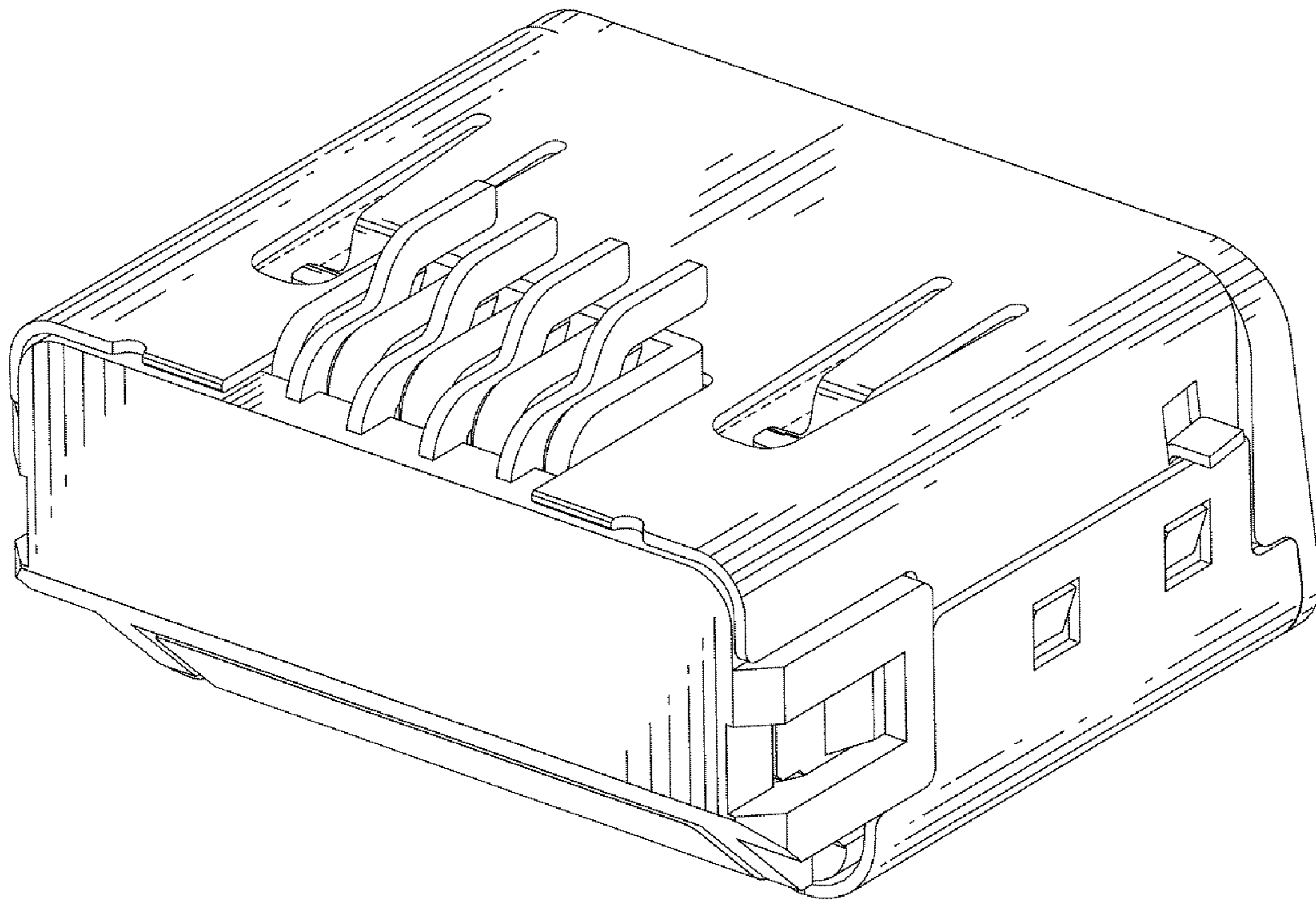


FIG. 8