



US00D647854S

(12) **United States Design Patent**  
**Lin**

(10) **Patent No.:** **US D647,854 S**

(45) **Date of Patent:** **\*\* Nov. 1, 2011**

(54) **PLUG CONNECTOR**

(75) Inventor: **Jui-Pin Lin**, New Taipei (TW)

(73) Assignee: **Cheng Uei Precision Industry Co., Ltd.**, New Taipei (TW)

(\*\*) Term: **14 Years**

(21) Appl. No.: **29/388,587**

(22) Filed: **Mar. 30, 2011**

(51) **LOC (9) Cl.** ..... **13-03**

(52) **U.S. Cl.** ..... **D13/146**

(58) **Field of Classification Search** ..... D13/120,  
D13/133, 146, 147, 154, 184, 199; 439/180,  
439/246, 278, 374, 379, 381, 476.1, 527,  
439/529, 533, 607.01, 607.04, 607.23, 607.24,  
439/607.25, 607.35, 607.36, 607.37, 607.38,  
439/607.39, 607.4, 607.55, 607.56, 607.57,  
439/607.58

See application file for complete search history.

(56) **References Cited**

U.S. PATENT DOCUMENTS

D425,902 S \* 5/2000 Rathbun et al. .... D14/240  
D596,573 S \* 7/2009 Lai et al. .... D13/147

\* cited by examiner

*Primary Examiner* — Daniel Bui

(74) *Attorney, Agent, or Firm* — Cheng-Ju Chiang

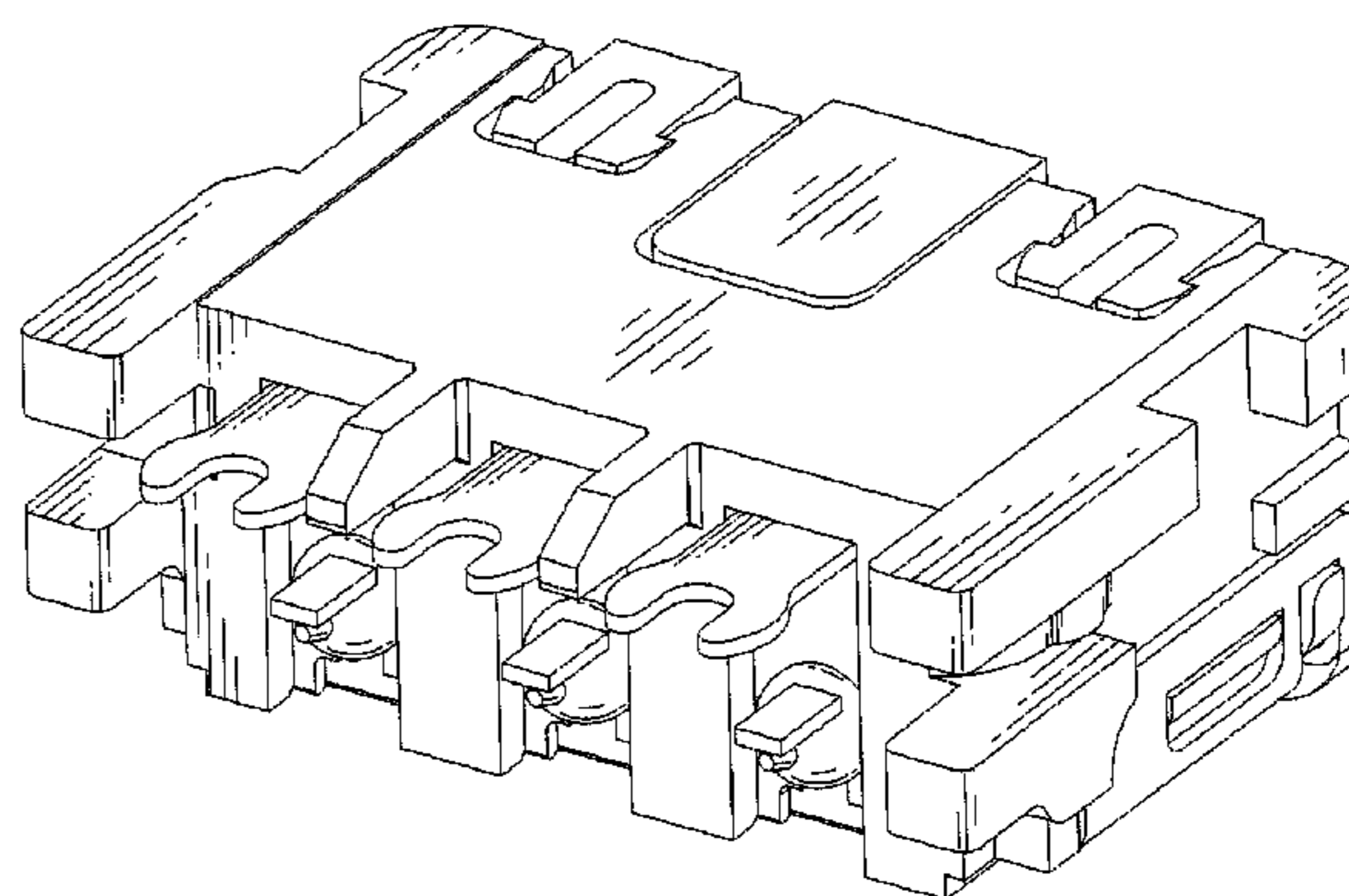
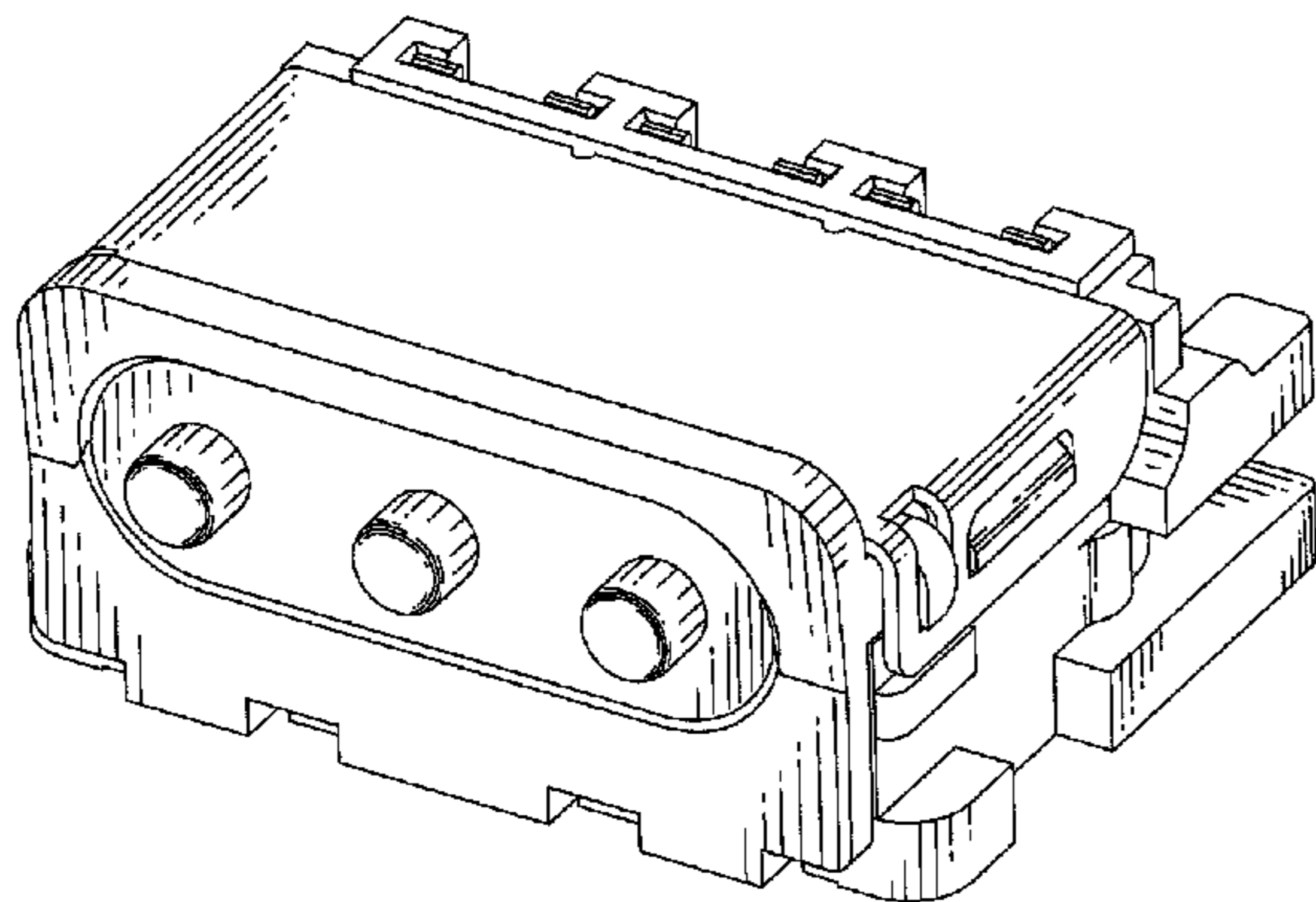
(57) **CLAIM**

The ornamental design for a plug connector, as shown and described.

**DESCRIPTION**

FIG. 1 is a perspective view of a plug connector showing my new design;  
FIG. 2 is a front elevational view thereof;  
FIG. 3 is a rear elevational view thereof;  
FIG. 4 is a left side elevational view thereof;  
FIG. 5 is a right side elevational view thereof;  
FIG. 6 is a top plan view thereof;  
FIG. 7 is a bottom plan view thereof; and,  
FIG. 8 is another perspective view of the plug connector showing my new design.  
The broken line portion of the figure drawings is included to show unclaimed subject matter only and forms no part of the claimed design.

**1 Claim, 8 Drawing Sheets**



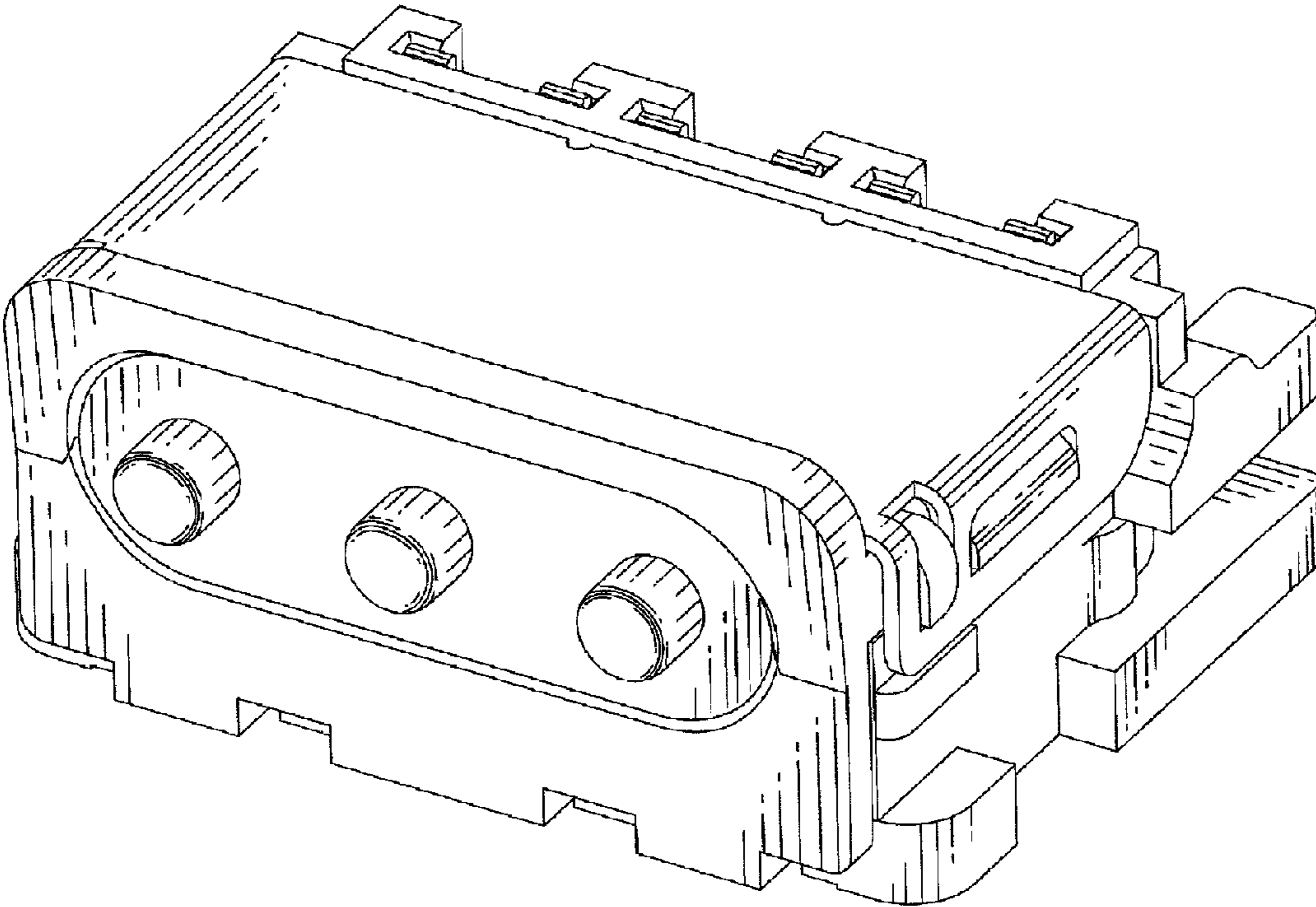


FIG. 1

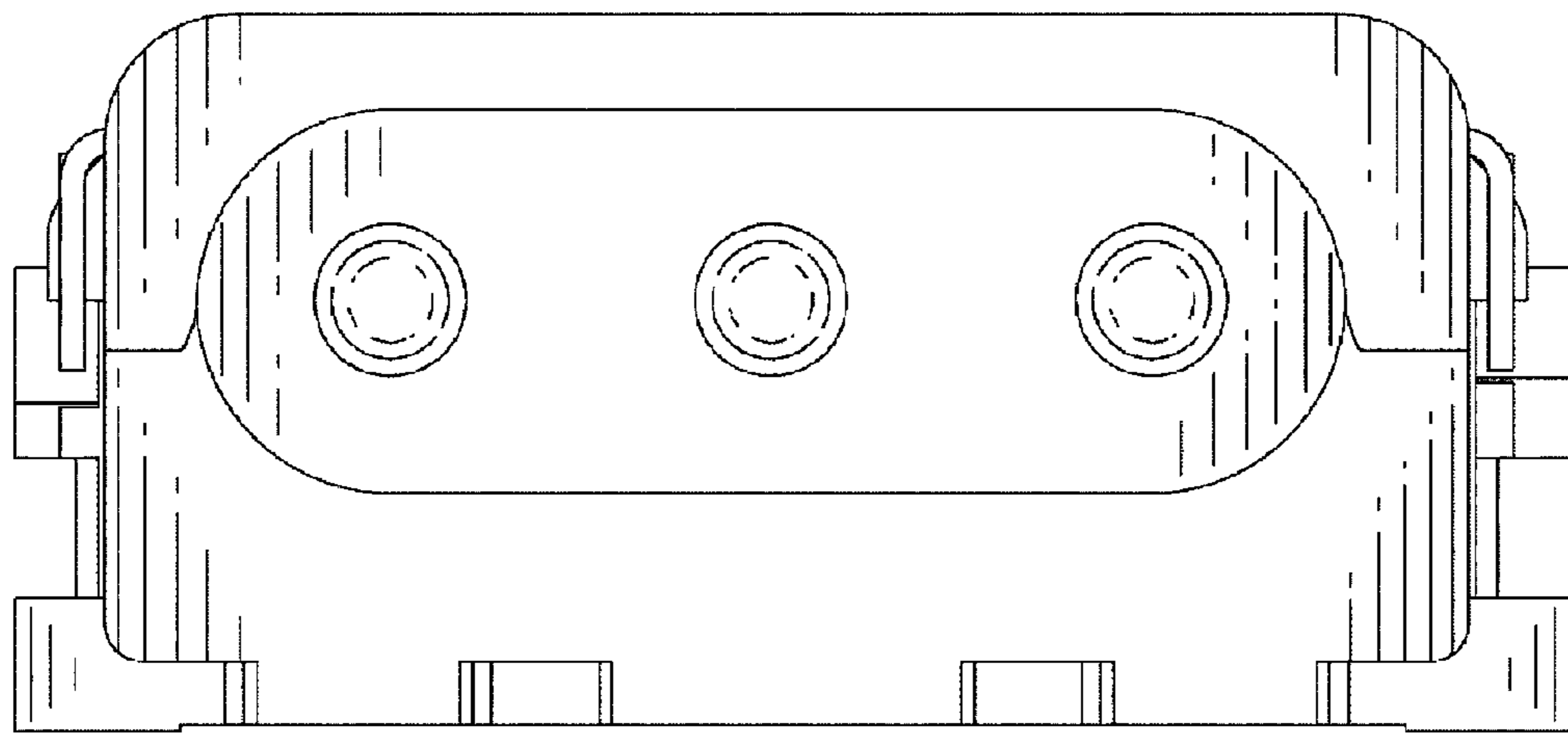


FIG. 2

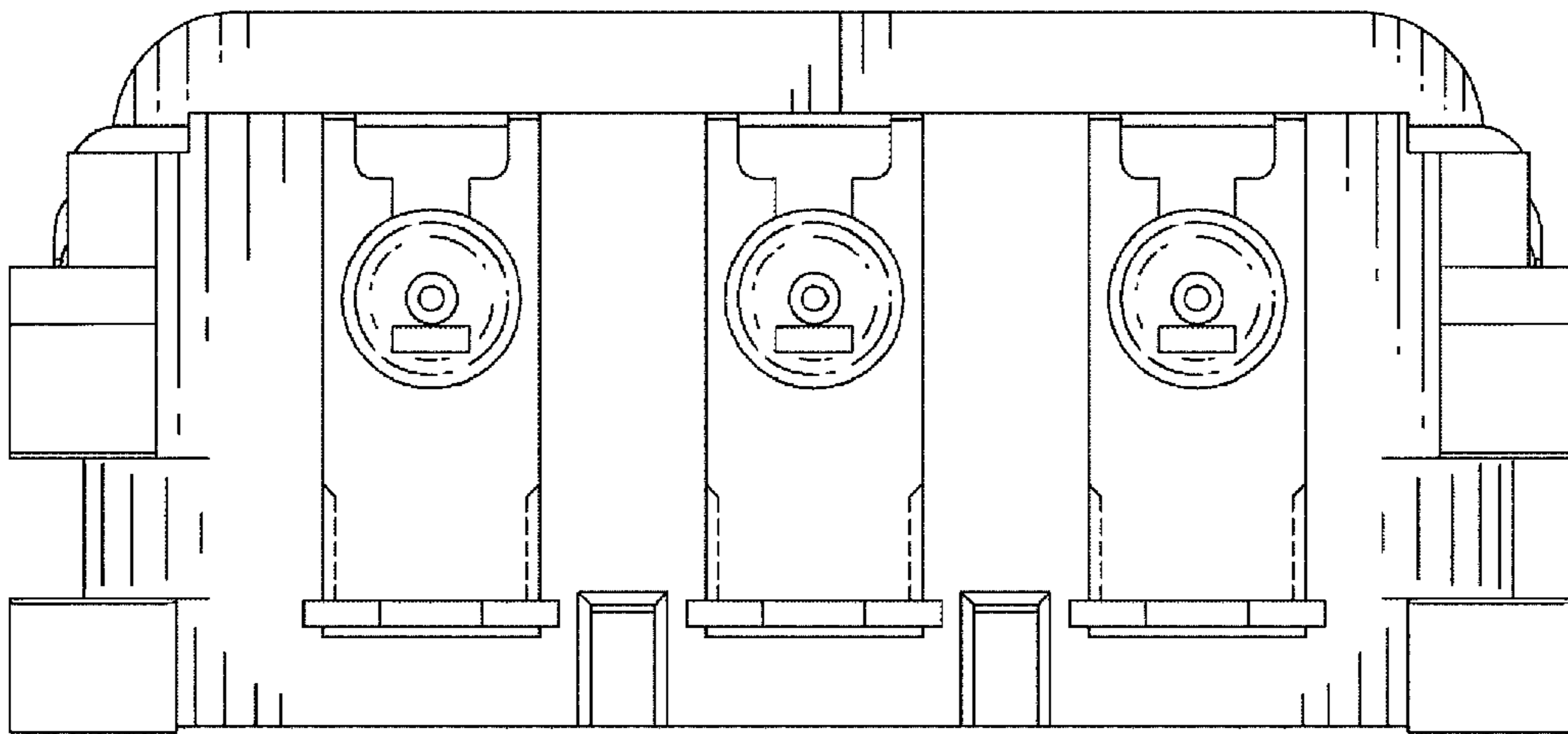


FIG. 3

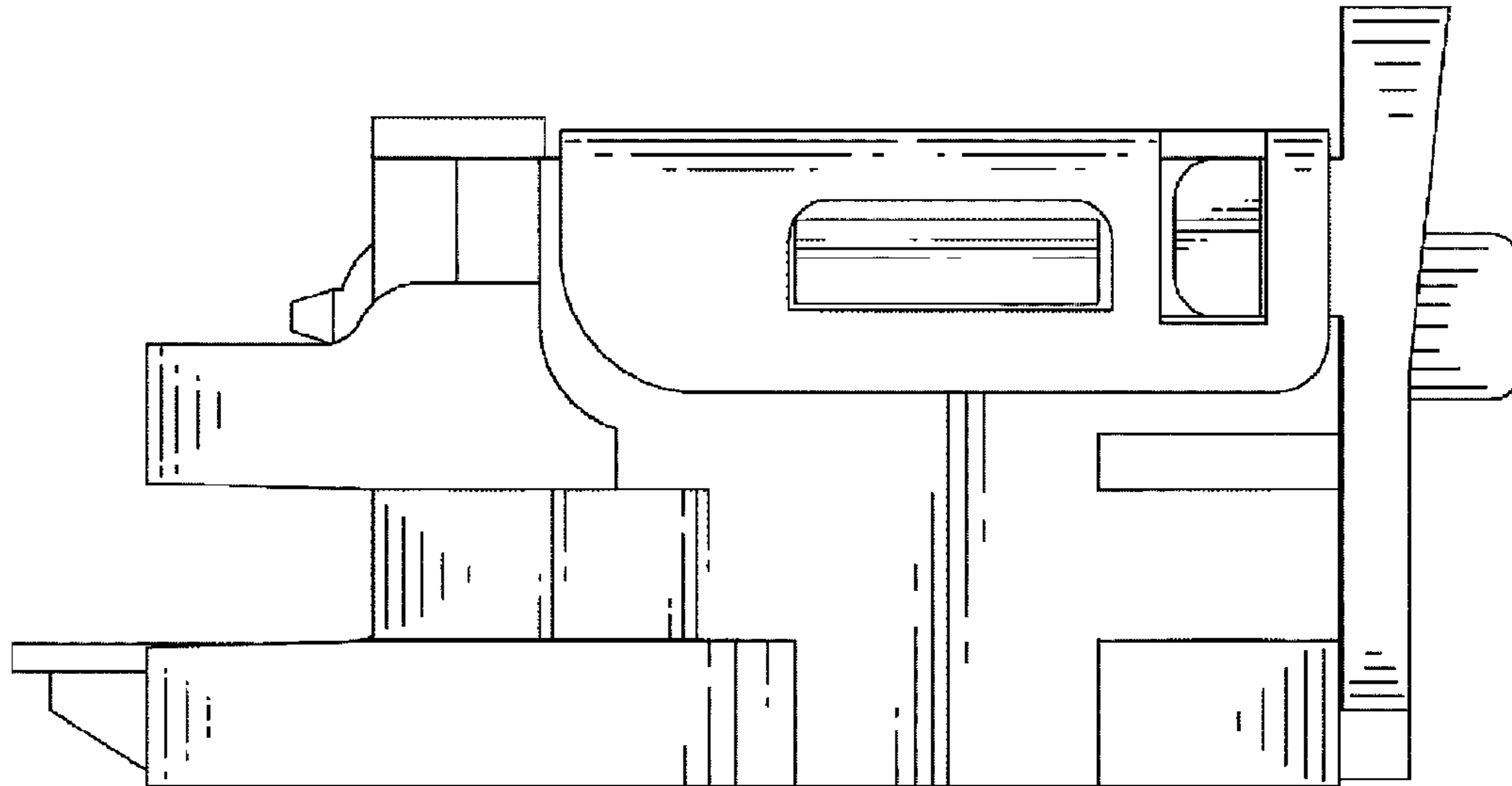


FIG. 4

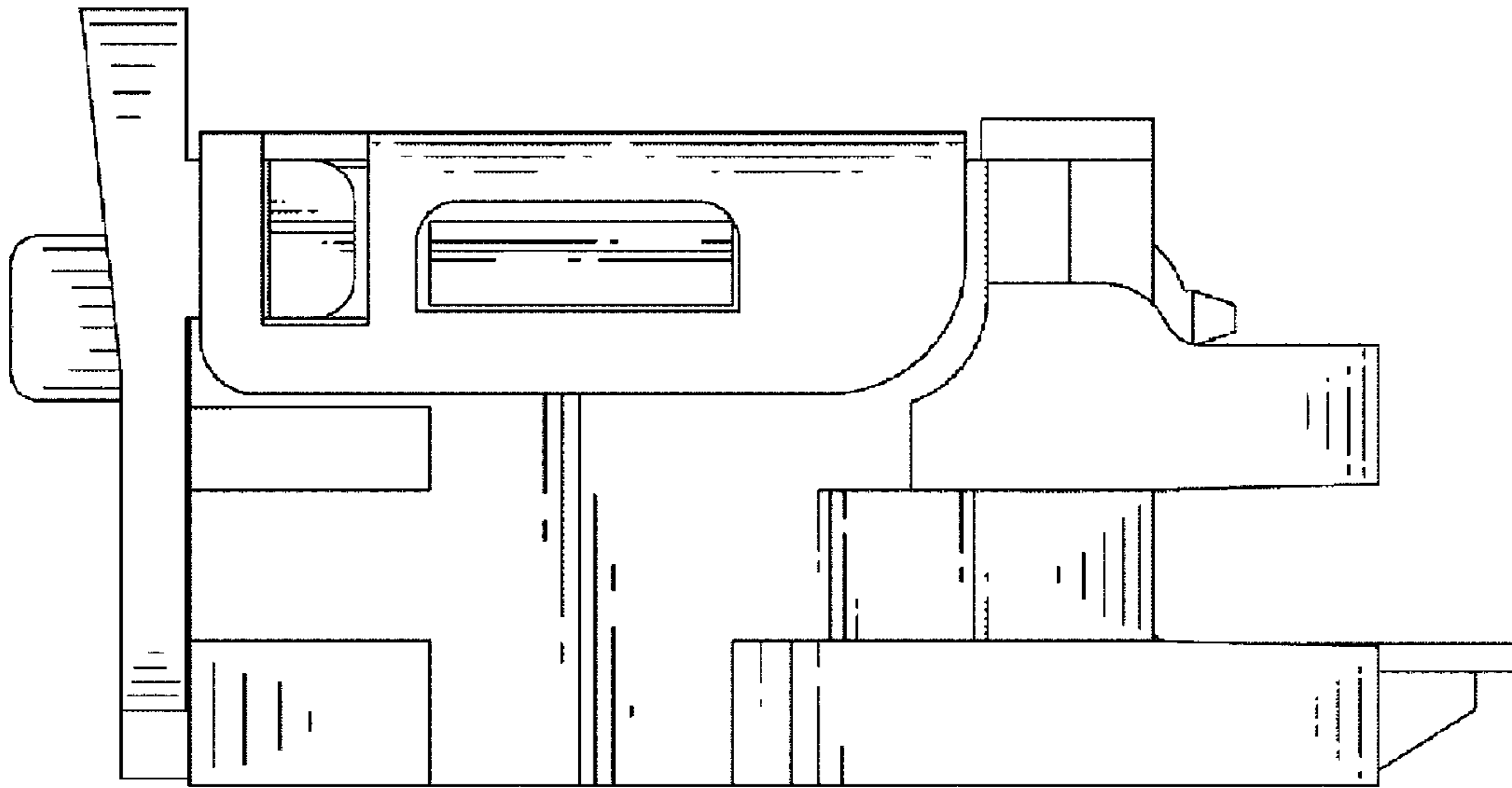


FIG. 5

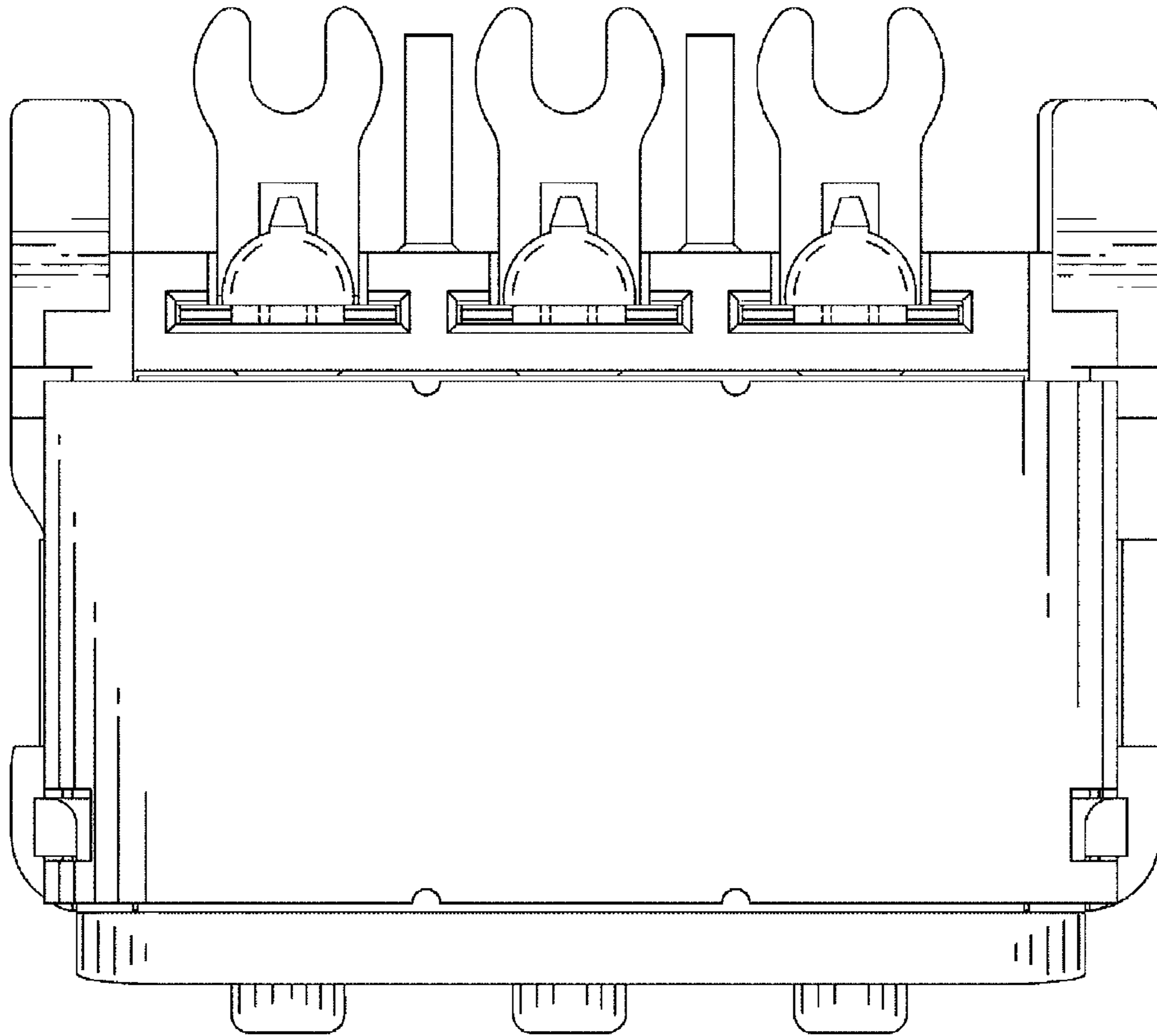


FIG. 6

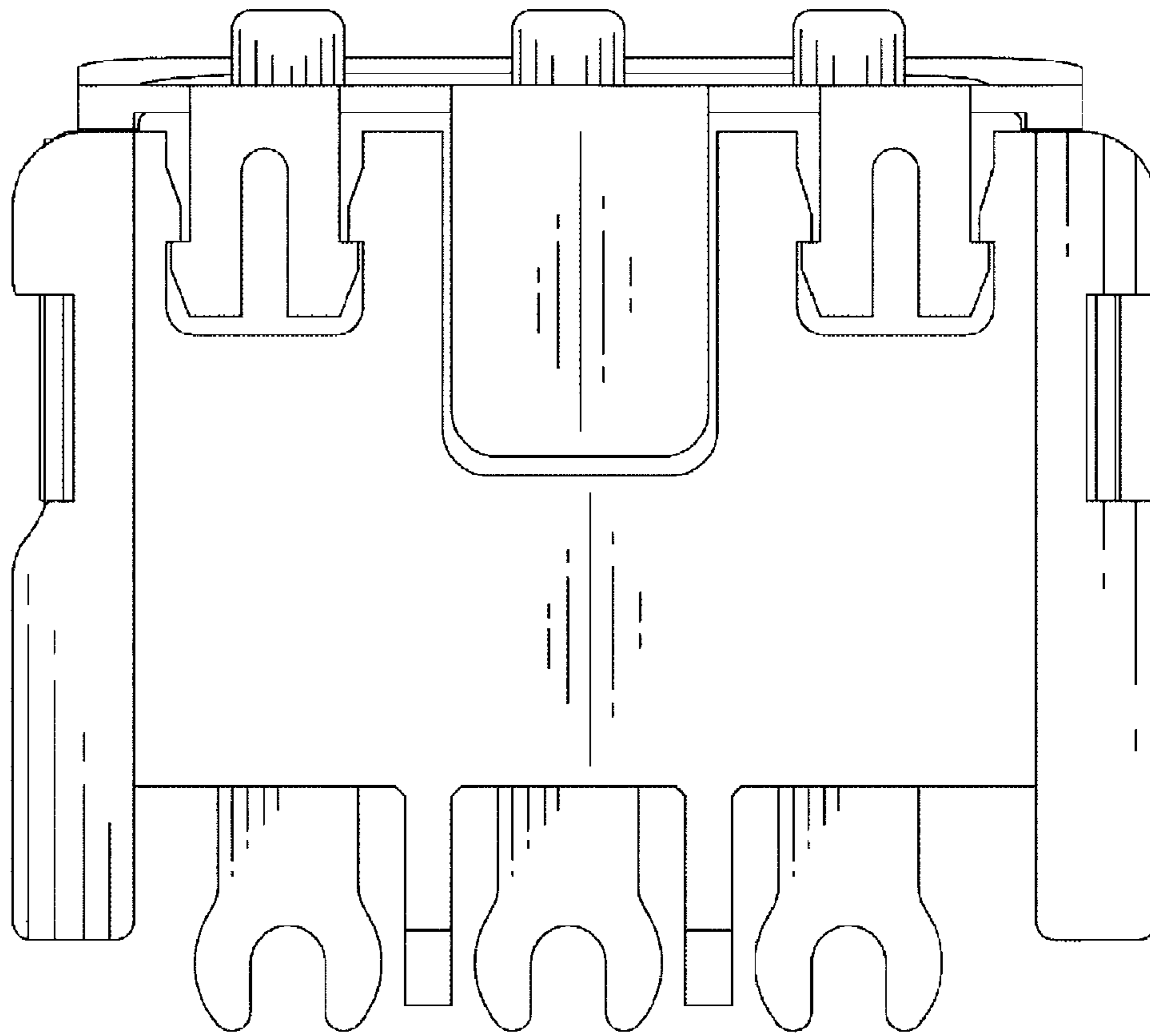


FIG. 7



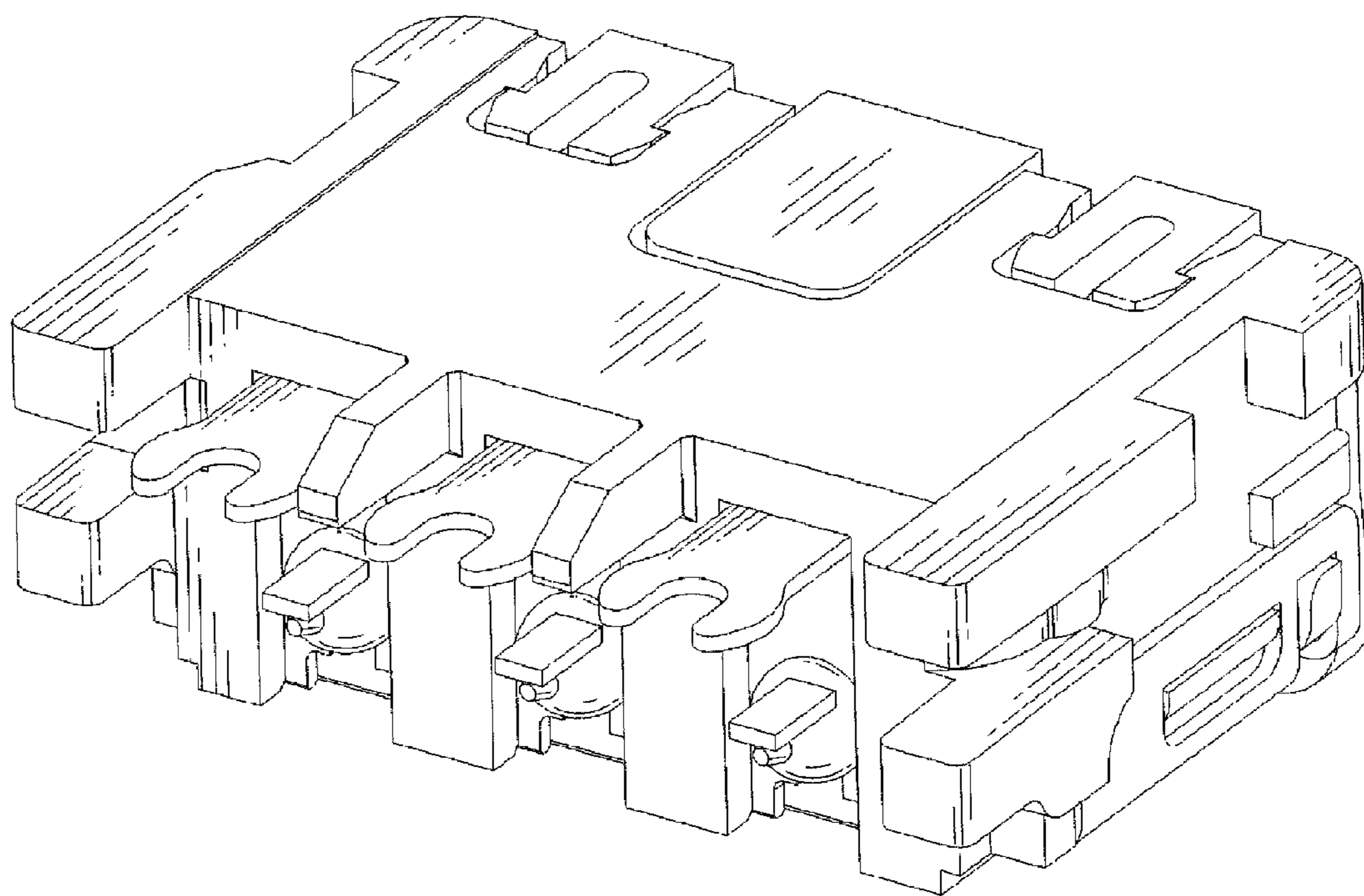


FIG. 8