



US00D647852S

(12) **United States Design Patent**
Yang et al.

(10) **Patent No.:** **US D647,852 S**

(45) **Date of Patent:** **** Nov. 1, 2011**

(54) **LAMPHOLDER CONNECTOR**

(75) Inventors: **Mei-Chuan Yang**, Taoyuan (TW);
Chin-Te Chiu, Taoyuan (TW)

(73) Assignee: **Proconn Technology Co., Ltd.**, Taoyuan (TW)

(**) Term: **14 Years**

(21) Appl. No.: **29/391,011**

(22) Filed: **May 2, 2011**

(51) **LOC (9) Cl.** **13-03**

(52) **U.S. Cl.** **D13/134**

(58) **Field of Classification Search** D13/133,
D13/134, 149; D26/138, 140; 362/217,
362/147, 223, 260; 439/241, 242, 243, 244,
439/239, 226, 240

See application file for complete search history.

(56) **References Cited**

U.S. PATENT DOCUMENTS

- D380,731 S * 7/1997 Schadhauer D13/134
- D556,137 S * 11/2007 Lin et al. D13/133
- D575,232 S * 8/2008 Chiang et al. D13/133

- D599,292 S * 9/2009 Su et al. D13/147
- D632,251 S * 2/2011 Chen D13/147
- D641,320 S * 7/2011 Huang D13/133
- 2002/0193006 A1 * 12/2002 Ma et al. 439/669

* cited by examiner

Primary Examiner — Thomas Johannes

(57) **CLAIM**

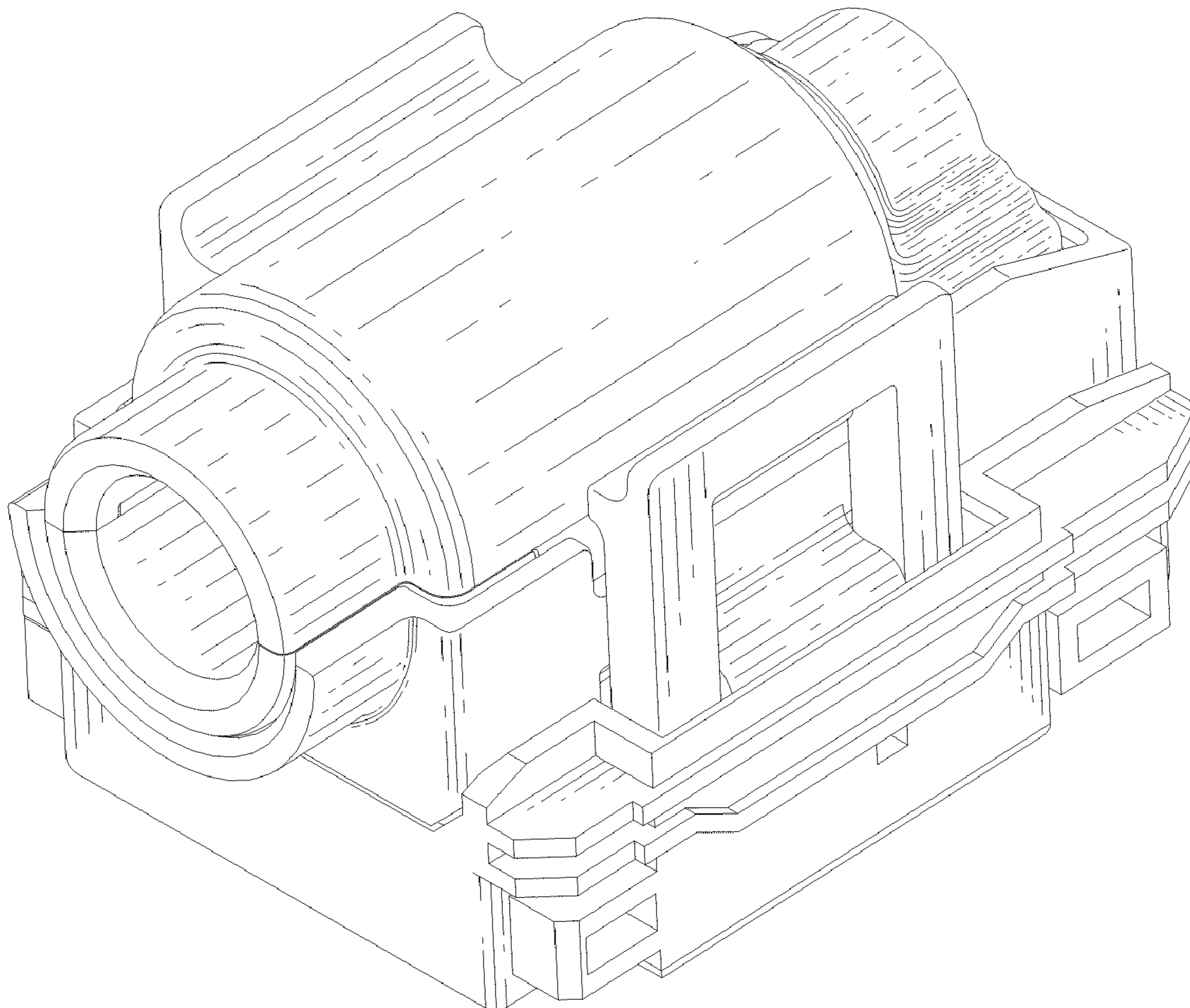
The ornamental design for a lampholder connector, as shown and described.

DESCRIPTION

FIG. 1 is a perspective view of a lampholder connector showing our new design;
FIG. 2 is a front elevational view thereof;
FIG. 3 is a rear elevational view thereof;
FIG. 4 is a left side elevational view thereof;
FIG. 5 is a right side elevational view thereof;
FIG. 6 is a top plan view thereof; and,
FIG. 7 is a bottom plan view thereof.

The broken line portion of the figure drawings is included to show unclaimed subject matter only and forms no part of the claimed design.

1 Claim, 7 Drawing Sheets



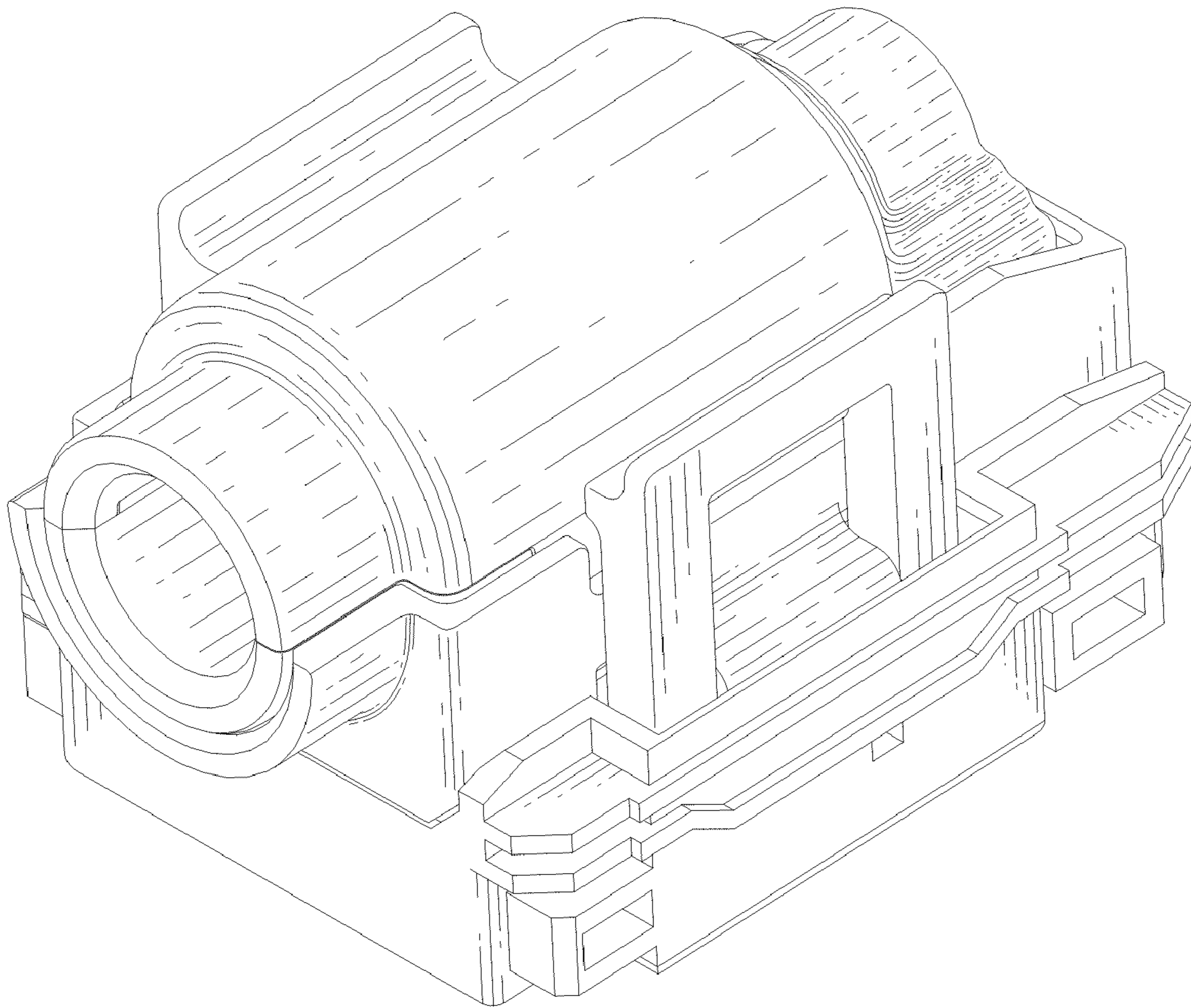


FIG. 1

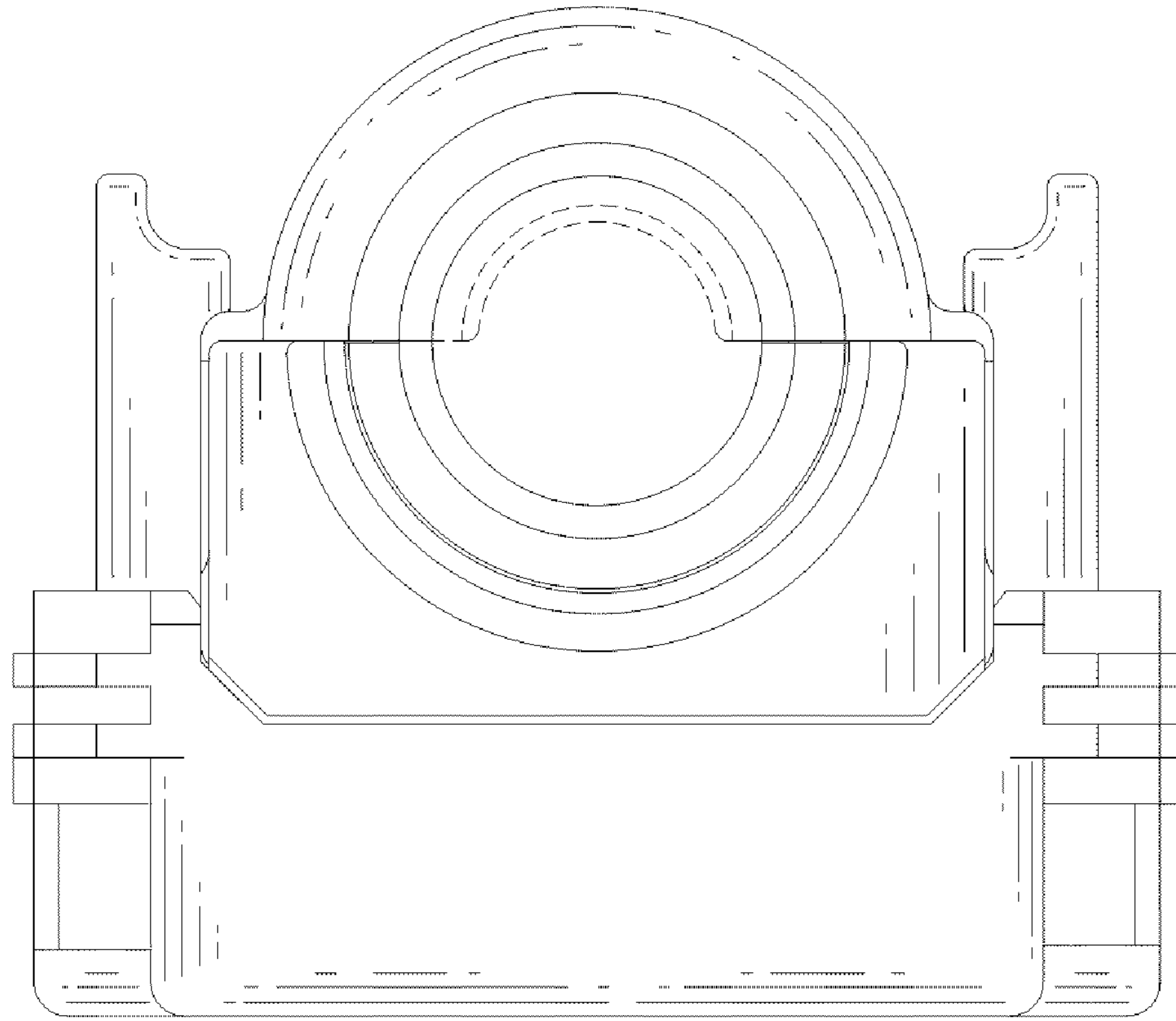


FIG. 2

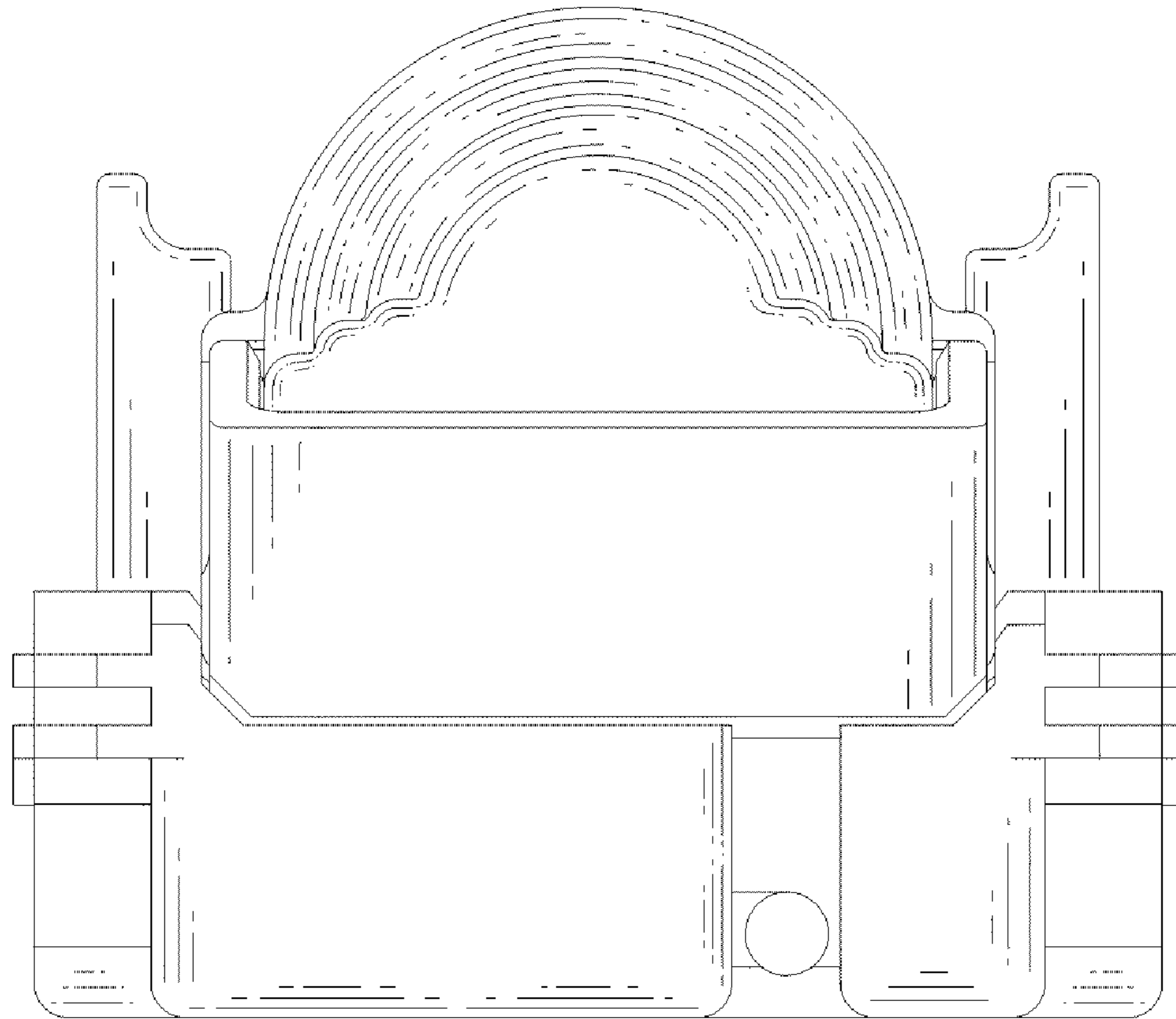


FIG. 3

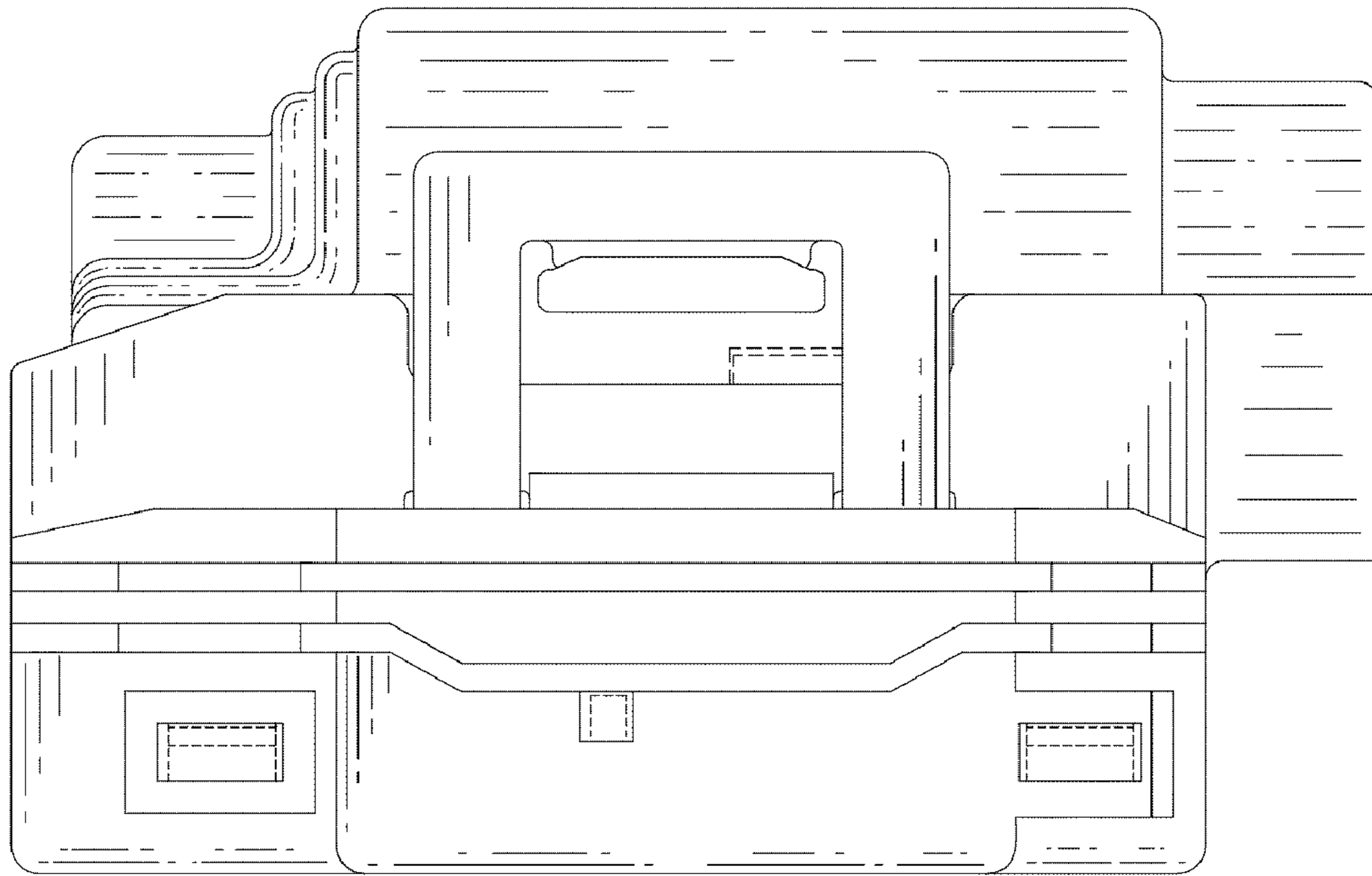


FIG. 4

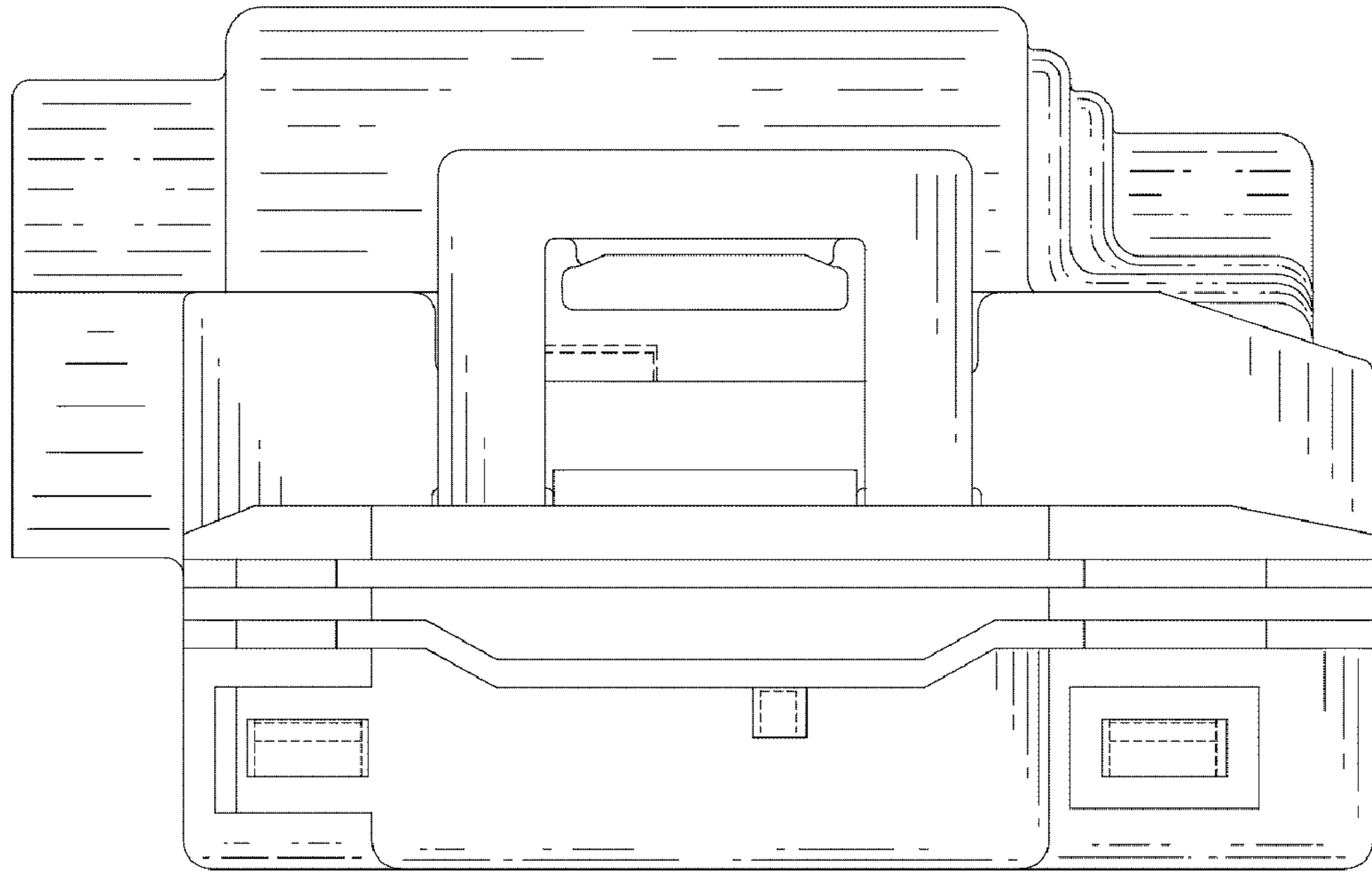


FIG. 5

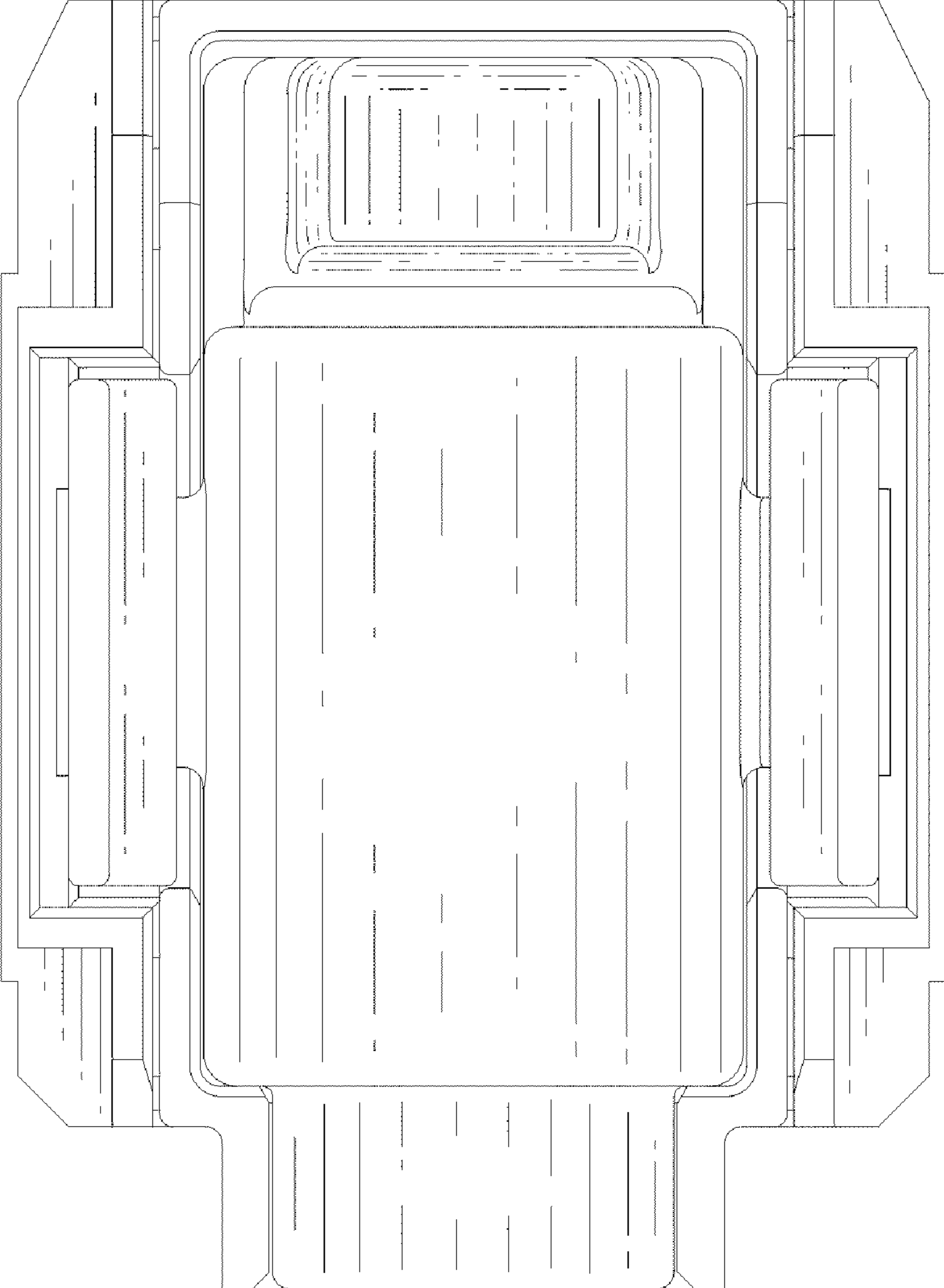


FIG. 6

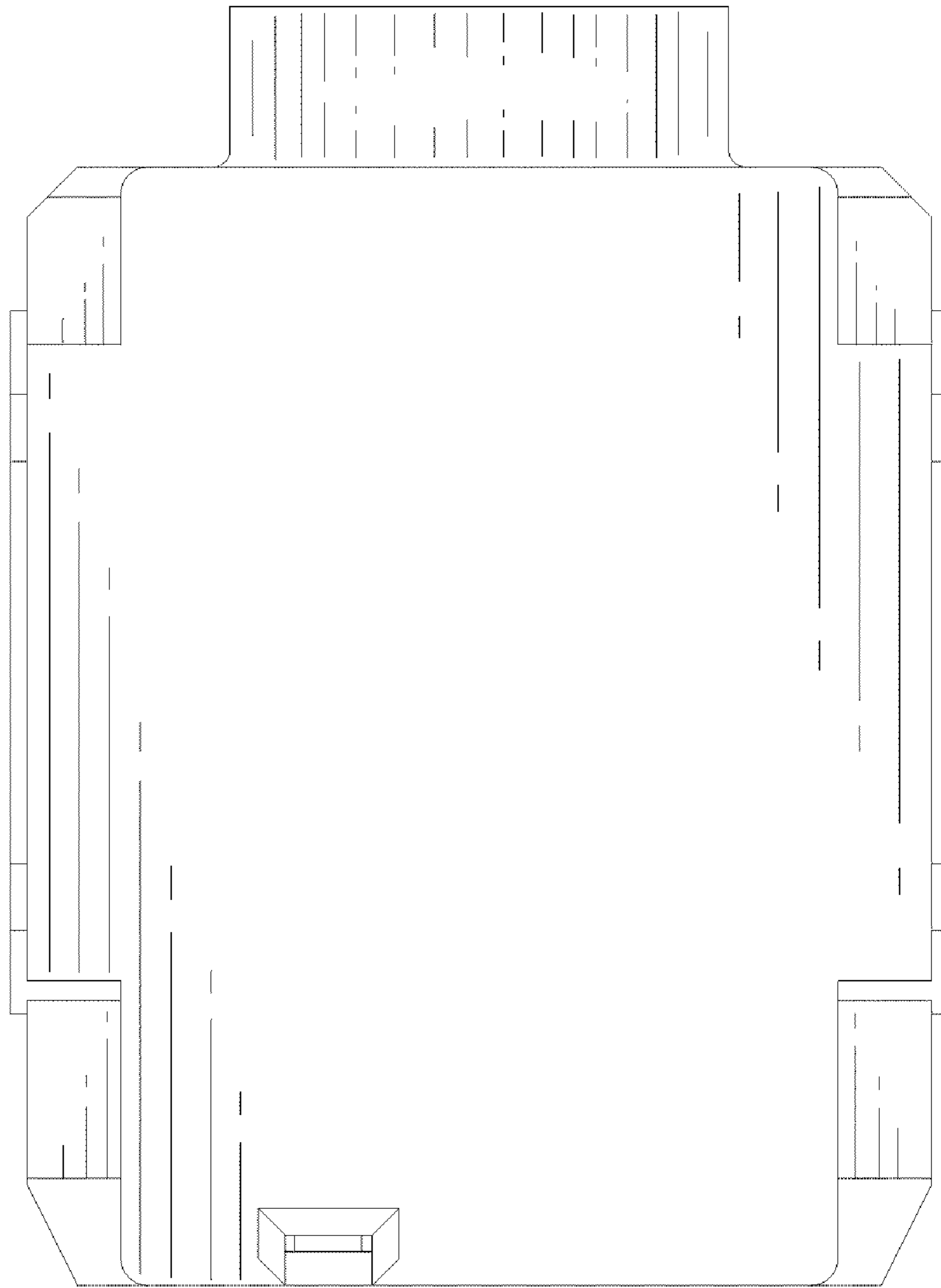


FIG. 7