



US00D647850S

(12) **United States Design Patent**
Osada

(10) **Patent No.:** **US D647,850 S**

(45) **Date of Patent:** **** Nov. 1, 2011**

(54) **LAMP SOCKET**

D420,326 S * 2/2000 Henrici D13/134
D491,890 S * 6/2004 Henrici et al. D13/134
7,568,930 B2 * 8/2009 Brand et al. 439/234

(75) Inventor: **Takeshi Osada**, Kanagawa (JP)

FOREIGN PATENT DOCUMENTS

(73) Assignee: **Toshiba Lighting & Technology Corporation**, Kanagawa (JP)

JP D1202183 4/2004
JP D1284847 10/2006

(**) Term: **14 Years**

* cited by examiner

(21) Appl. No.: **29/387,770**

Primary Examiner — Thomas Johannes

(22) Filed: **Mar. 17, 2011**

(74) *Attorney, Agent, or Firm* — J.C. Patents

(30) **Foreign Application Priority Data**

(57) **CLAIM**

The ornamental design for a lamp socket, as shown and described.

Oct. 28, 2010 (JP) 2010-025923

DESCRIPTION

(51) **LOC (9) Cl.** **13-03**

FIG. 1 is a perspective view of a lamp socket showing my new design;

(52) **U.S. Cl.** **D13/134**

FIG. 2 is a front elevation view thereof;

(58) **Field of Classification Search** D13/133,

FIG. 3 is a rear elevation view thereof;

D13/134, 149; D26/138, 140; 362/217,
362/147, 223, 260; 439/241, 242, 243, 244,
439/239, 226, 240

FIG. 4 is a right side elevation view thereof, the left side view being a mirror image of the right side elevation view;

See application file for complete search history.

FIG. 5 is a top plan view thereof;

(56) **References Cited**

FIG. 6 is a bottom plan view thereof; and,

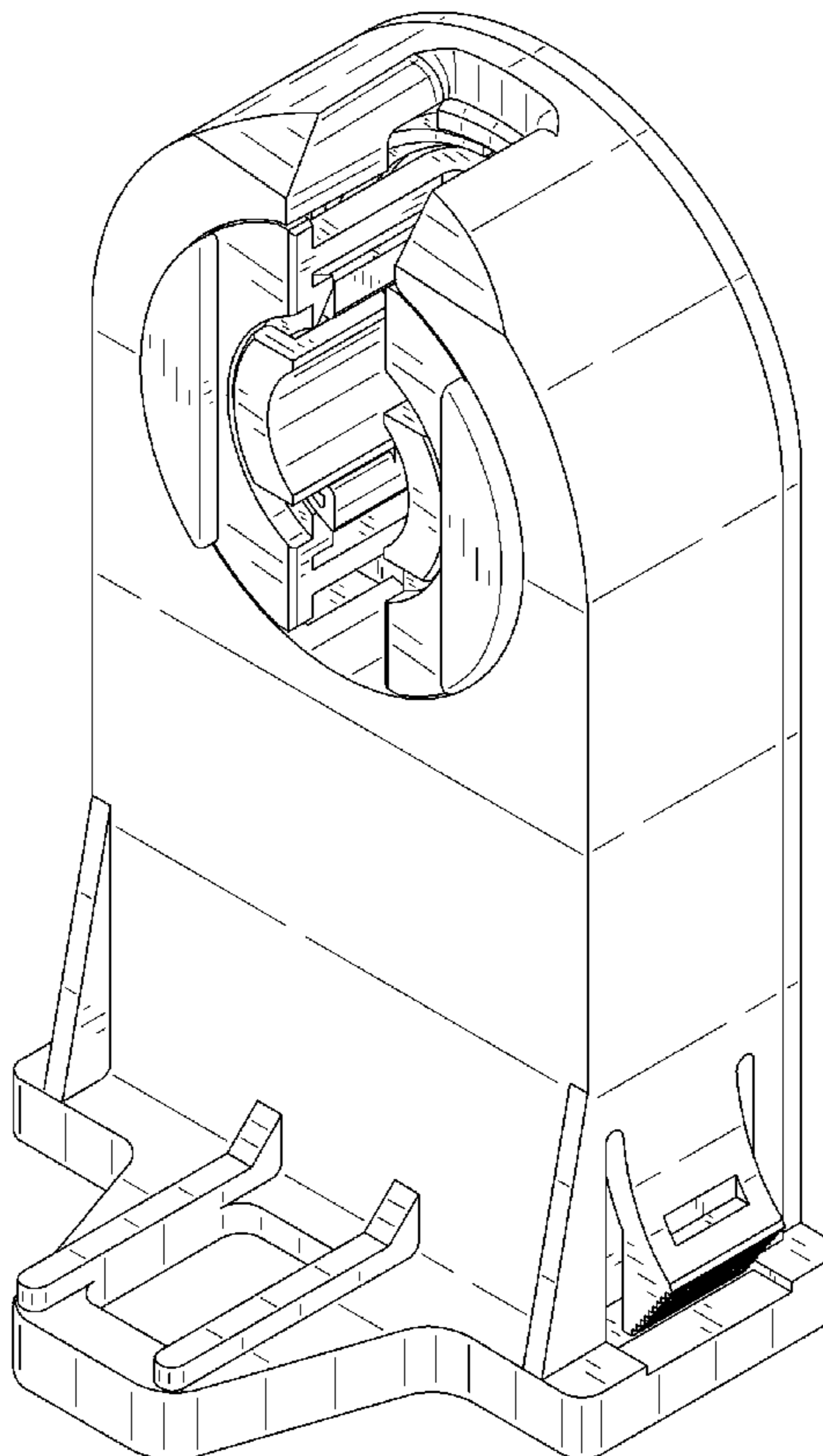
U.S. PATENT DOCUMENTS

2,313,036 A * 3/1943 Burt 200/51.09
D388,395 S * 12/1997 Henrici D13/134
D406,814 S * 3/1999 Henrici D13/134
D417,653 S * 12/1999 Henrici D13/134

FIG. 7 is a cross-sectional view taken along line 7-7 in FIG. 2 with the internal parts omitted.

The broken line portion of the figure drawings is included to show unclaimed subject matter only and forms no part of the claimed design.

1 Claim, 7 Drawing Sheets



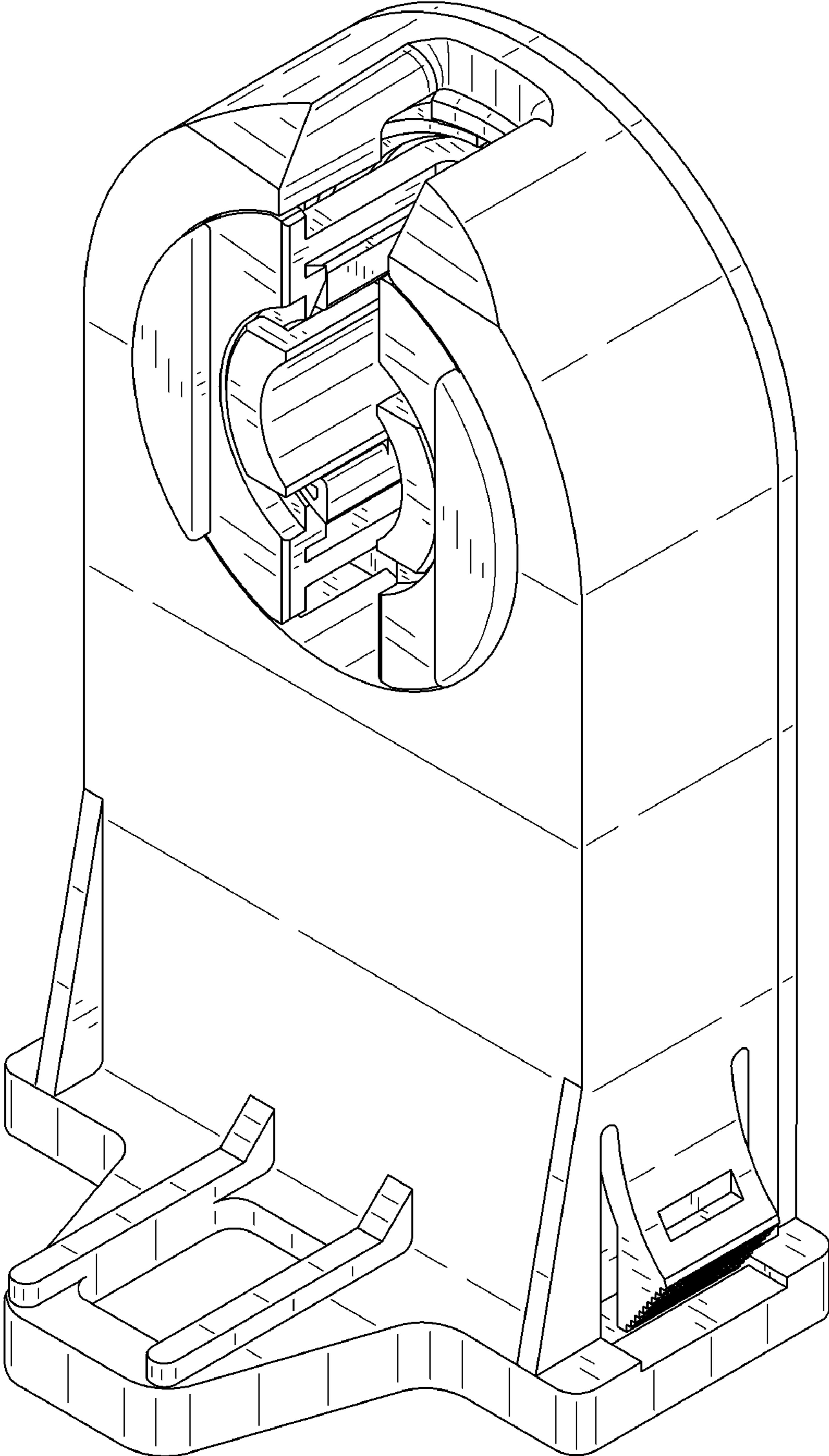


FIG. 1

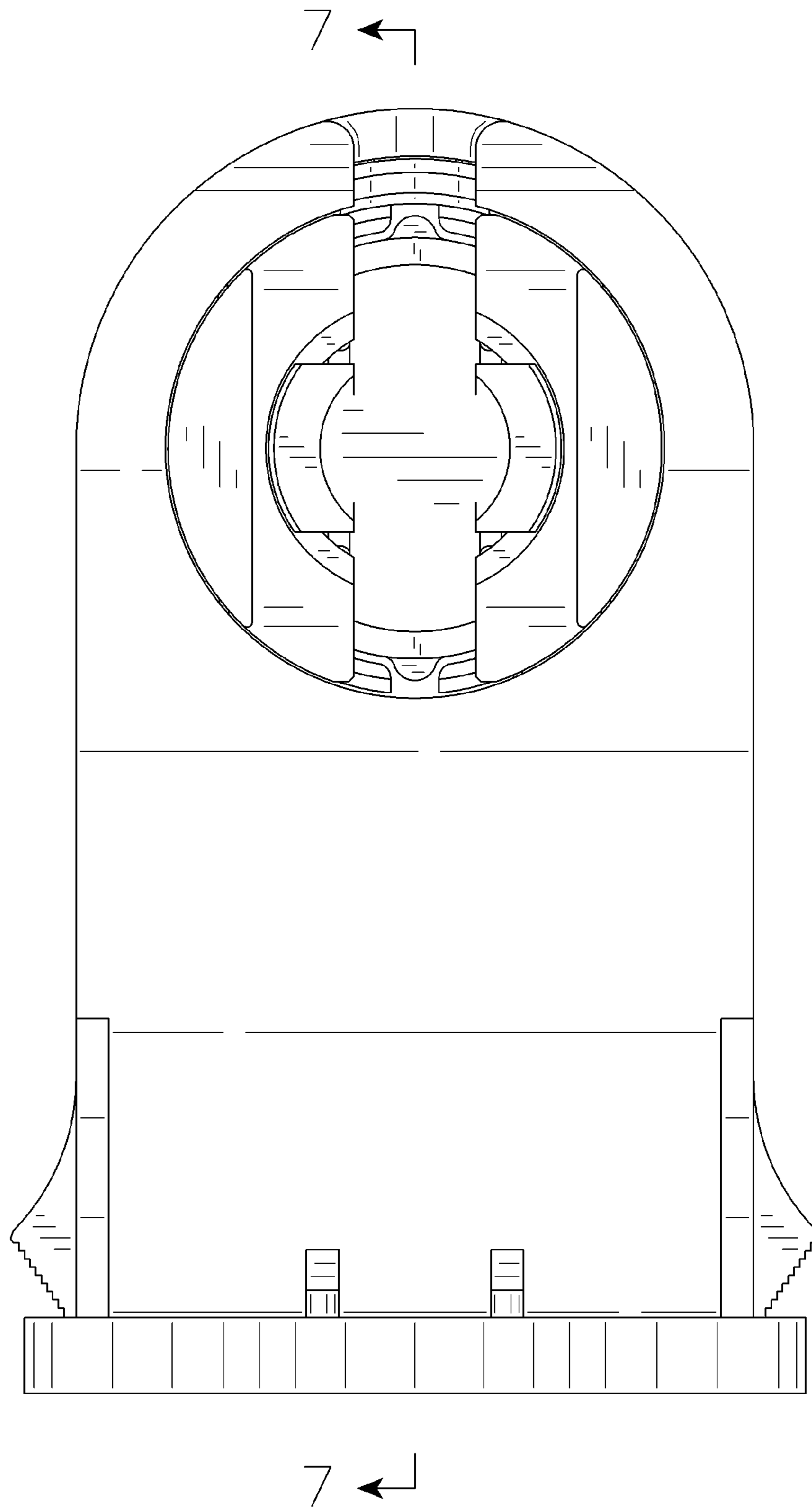


FIG. 2

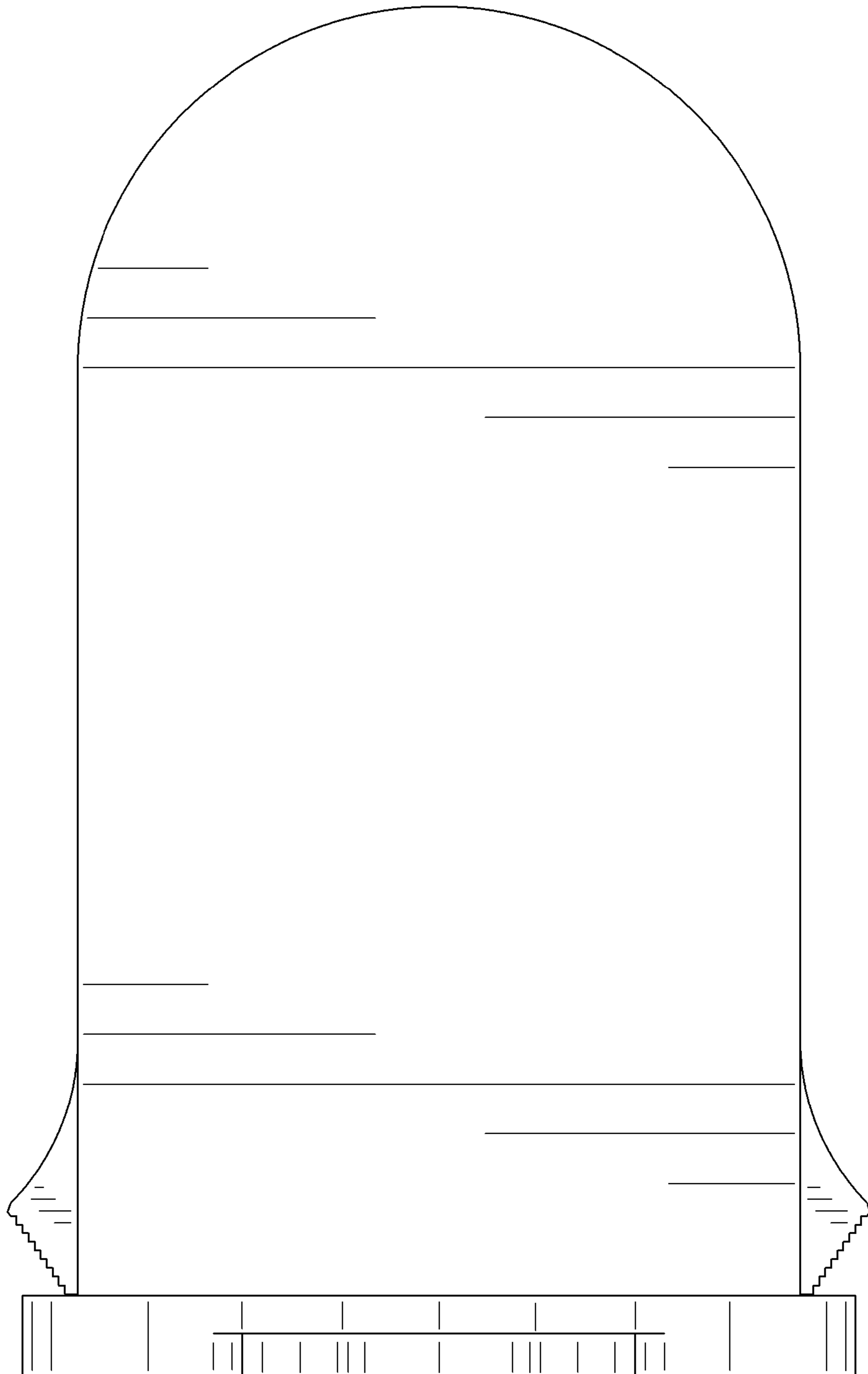


FIG. 3

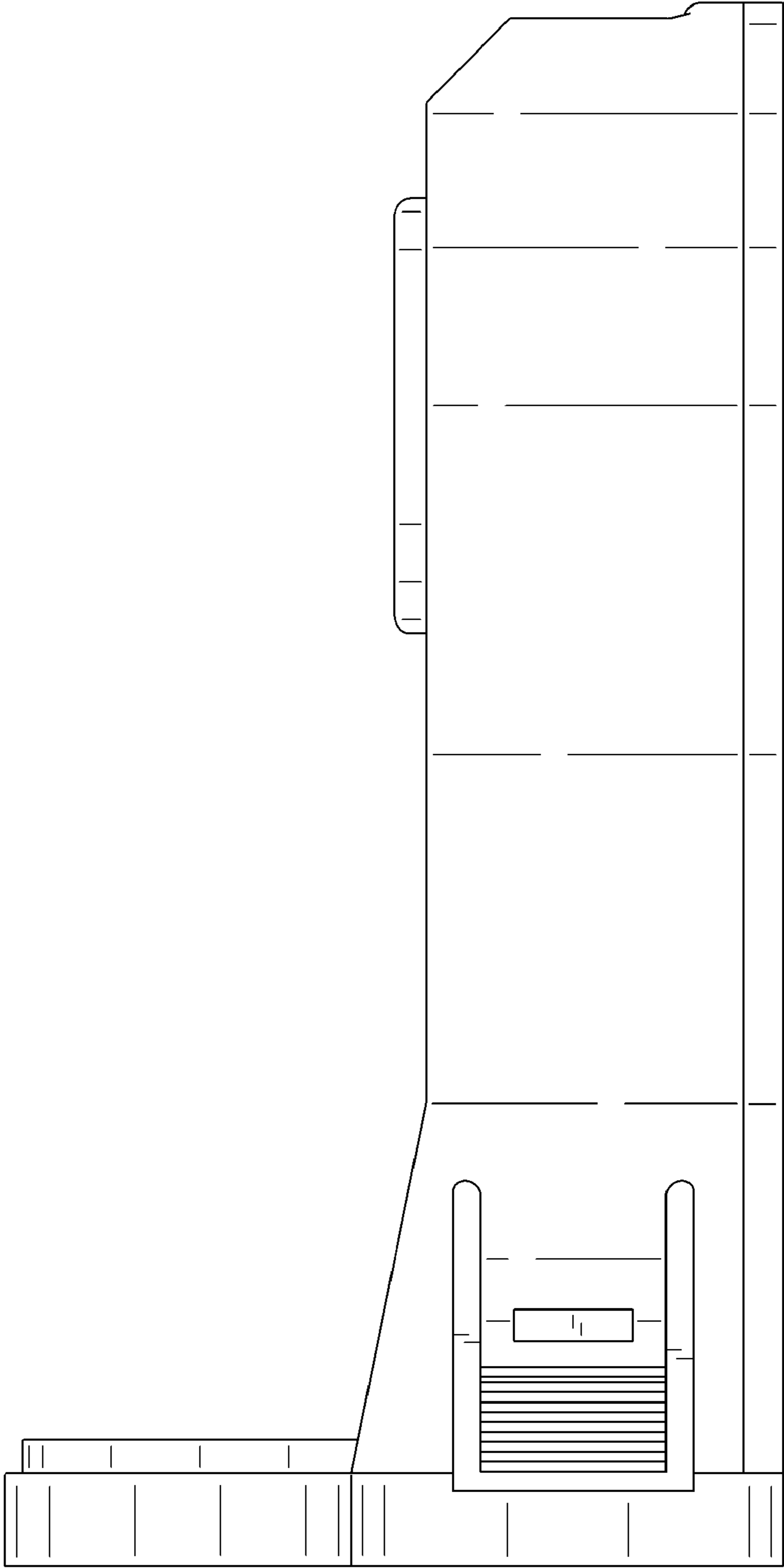


FIG. 4

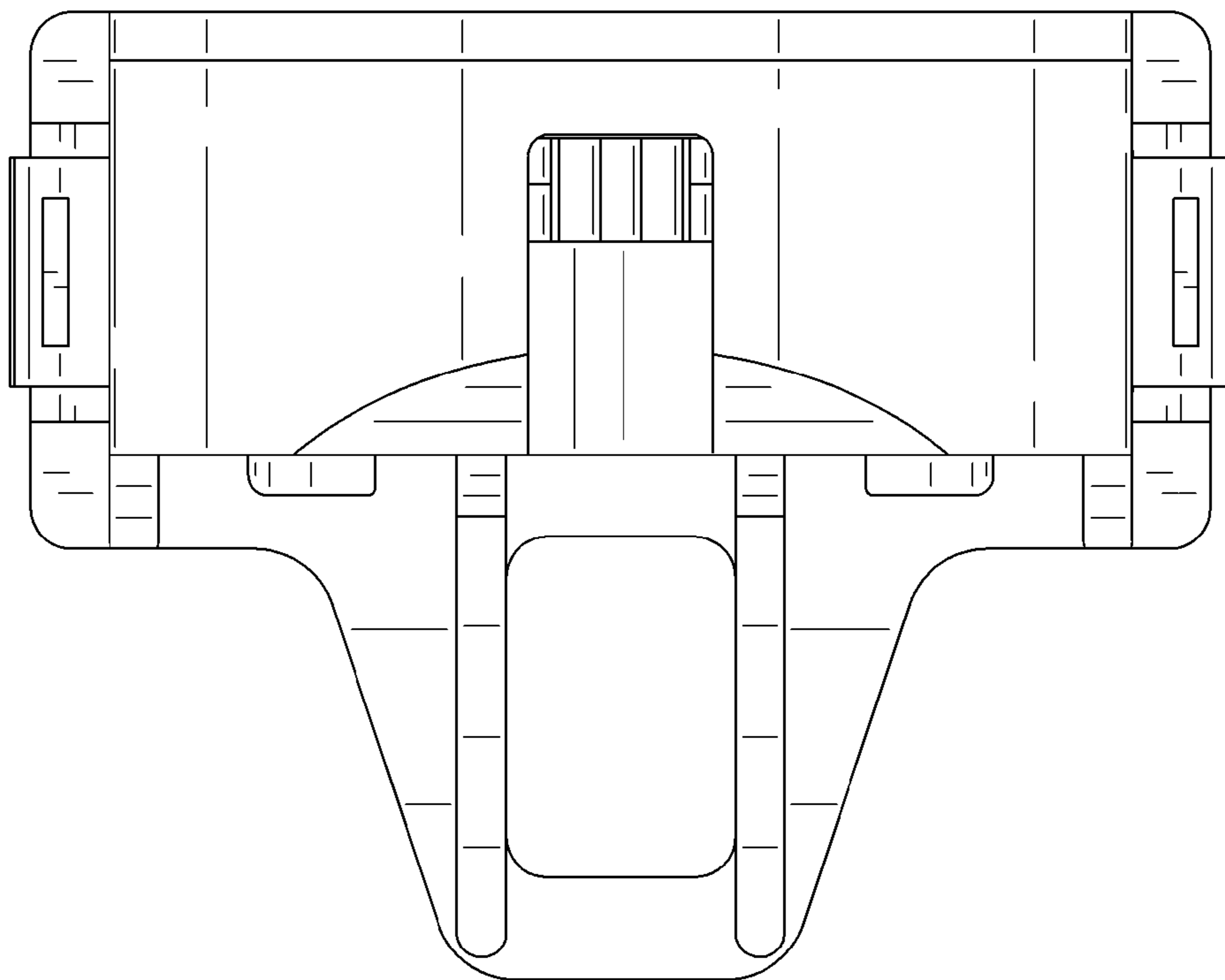


FIG. 5

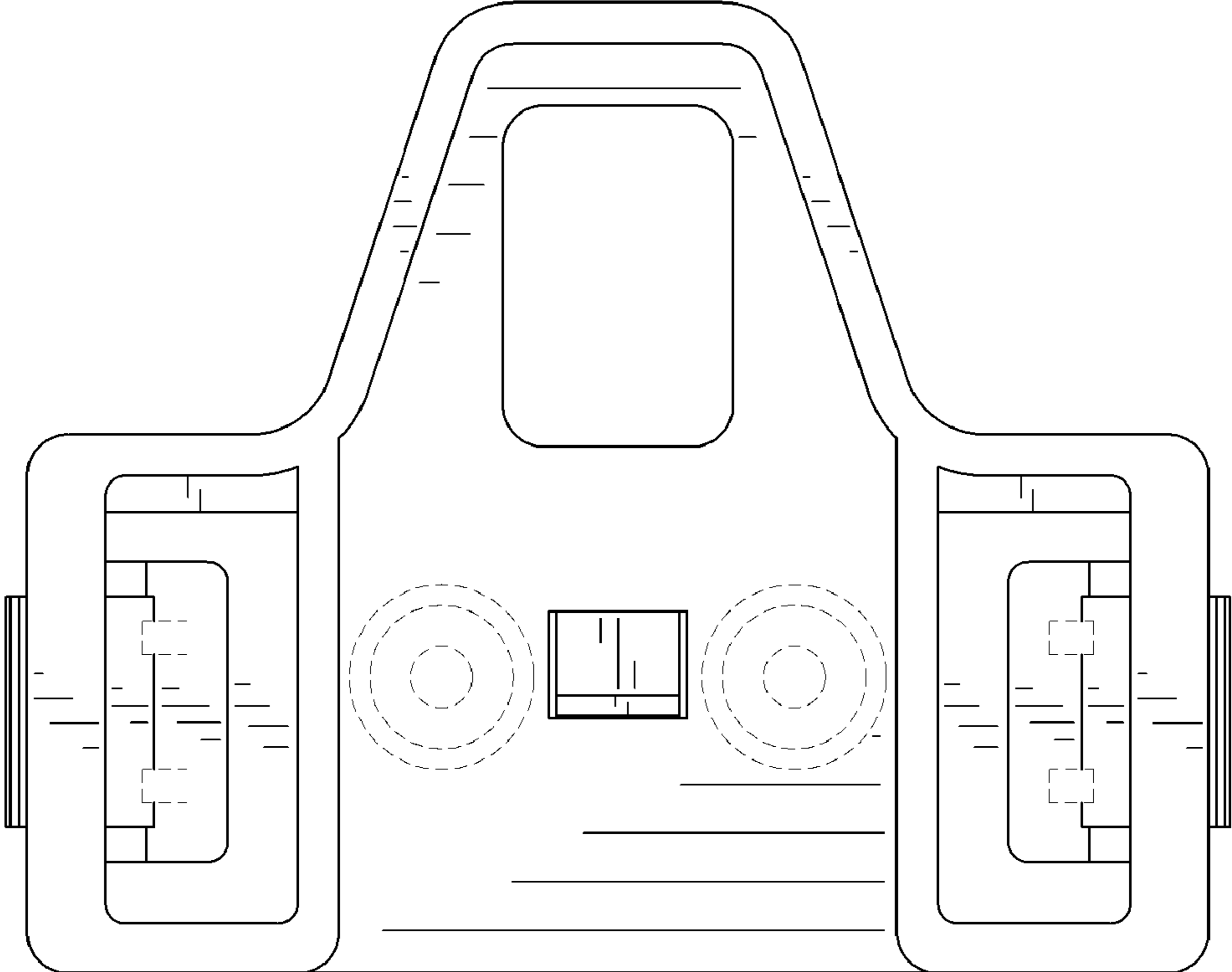


FIG. 6

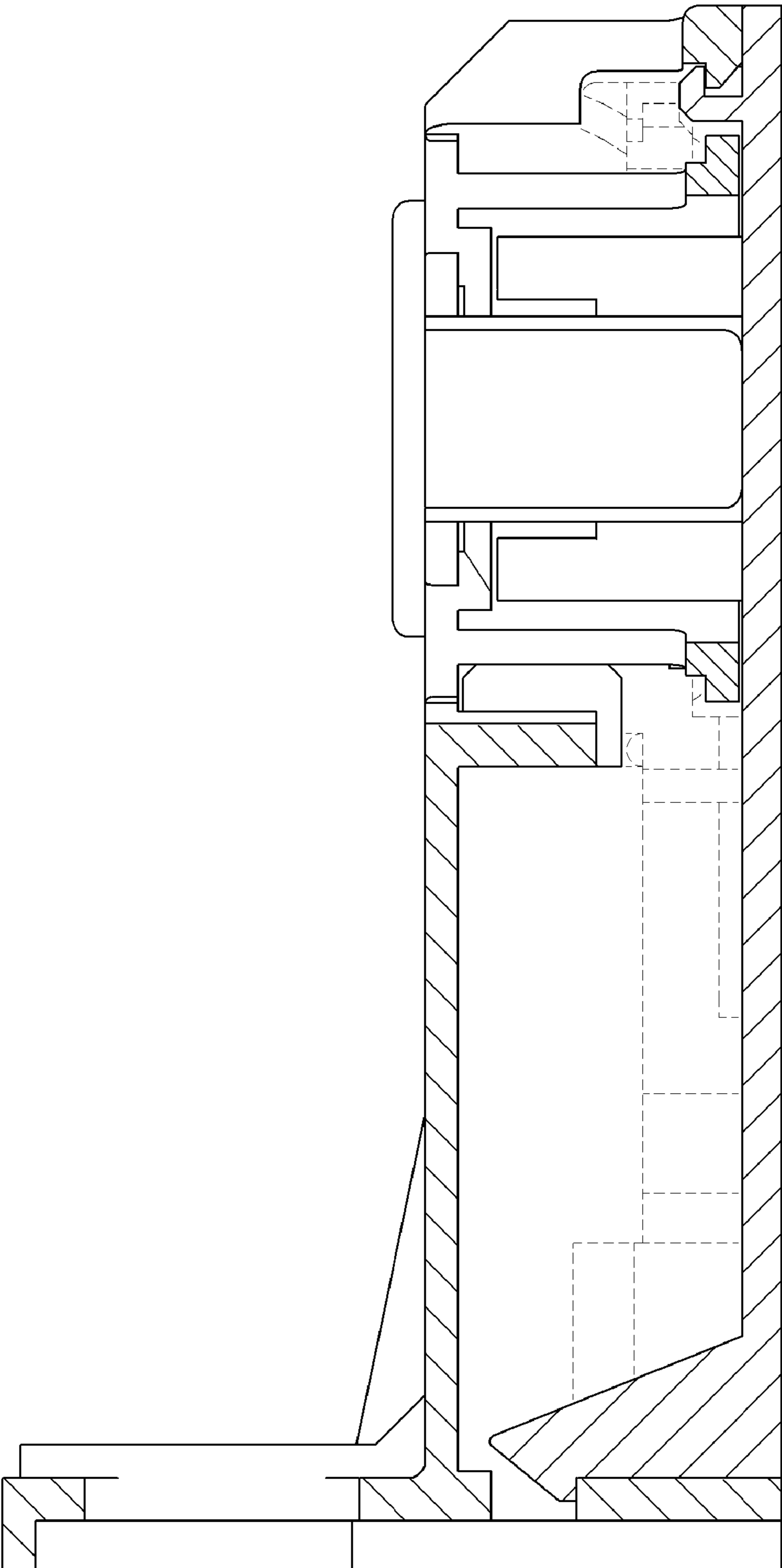


FIG. 7