



US00D647849S

(12) **United States Design Patent**
Yu

(10) **Patent No.:** **US D647,849 S**

(45) **Date of Patent:** **** Nov. 1, 2011**

(54) **CORD CONNECTOR**

(75) Inventor: **Chih-Min Yu**, Tainan (TW)

(73) Assignee: **Chih Jung Electron Co., Ltd.**, Tainan (TW)

(**) Term: **14 Years**

(21) Appl. No.: **29/383,030**

(22) Filed: **Jan. 11, 2011**

(51) **LOC (9) Cl.** **13-03**

(52) **U.S. Cl.** **D13/133**

(58) **Field of Classification Search** D13/133,
D13/146, 147, 149, 151, 154, 184, 199; 439/180,
439/246, 252, 278, 374, 378, 379, 380, 381,
439/527, 529, 533, 675, 750, 842, 851, 889,
439/892, 894, 944, 948

See application file for complete search history.

(56) **References Cited**

U.S. PATENT DOCUMENTS

3,126,443 A * 3/1964 Stevens, Jr. 174/84 C
3,320,356 A * 5/1967 Kirwin 174/94 R
3,717,717 A * 2/1973 Cunningham et al. 174/73.1

D239,175 S * 3/1976 Mouttet D13/133
D278,230 S * 4/1985 Kominiak et al. D13/133
D601,090 S * 9/2009 Vigorito et al. D13/133
D626,068 S * 10/2010 Giefers et al. D13/133
D626,506 S * 11/2010 Giefers et al. D13/133

* cited by examiner

Primary Examiner — Daniel Bui

(74) *Attorney, Agent, or Firm* — WPAT, P.C.; Anthony King

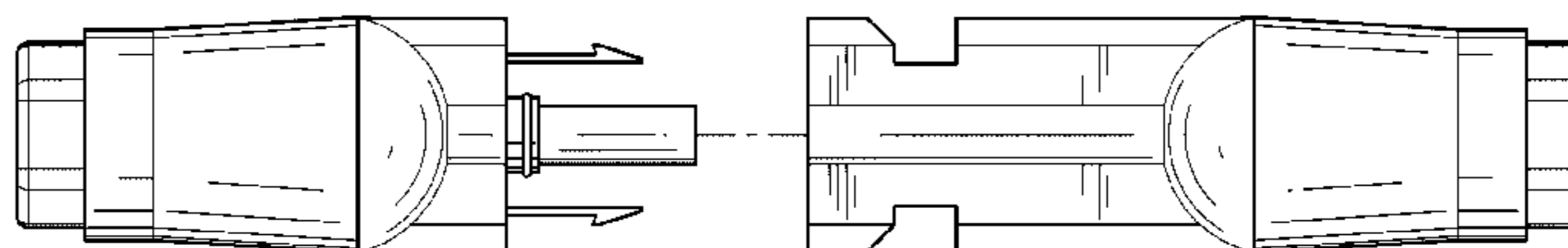
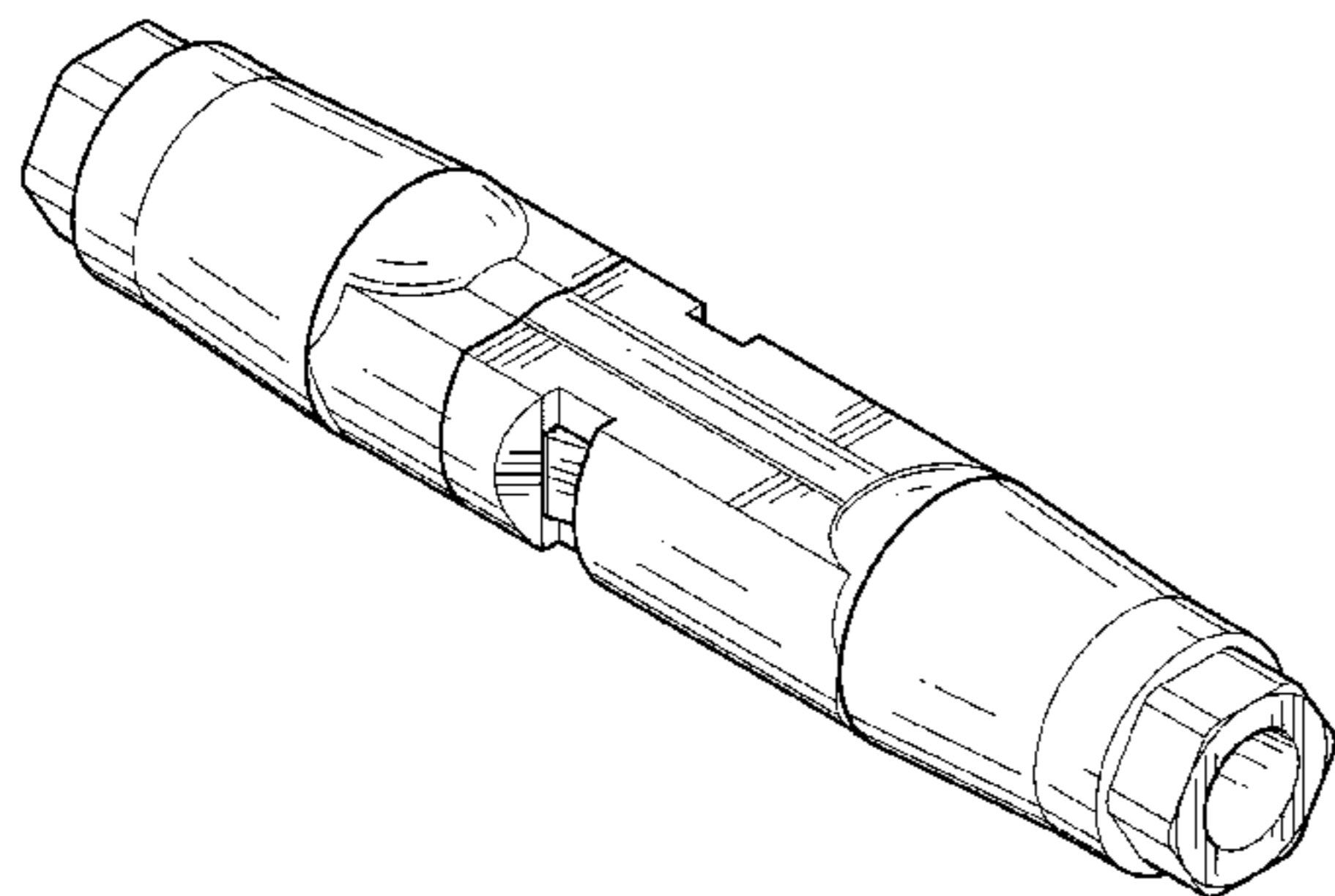
(57) **CLAIM**

The ornamental design for a cord connector, as shown and described.

DESCRIPTION

FIG. 1 is a perspective view of a cord connector showing my present design;
FIG. 2 is a front view thereof;
FIG. 3 is a rear view thereof;
FIG. 4 is a left view thereof;
FIG. 5 is a right view thereof;
FIG. 6 is a top plan view thereof;
FIG. 7 is a bottom plan view thereof; and,
FIG. 8 is a top plan view thereof, in an open condition.

1 Claim, 5 Drawing Sheets



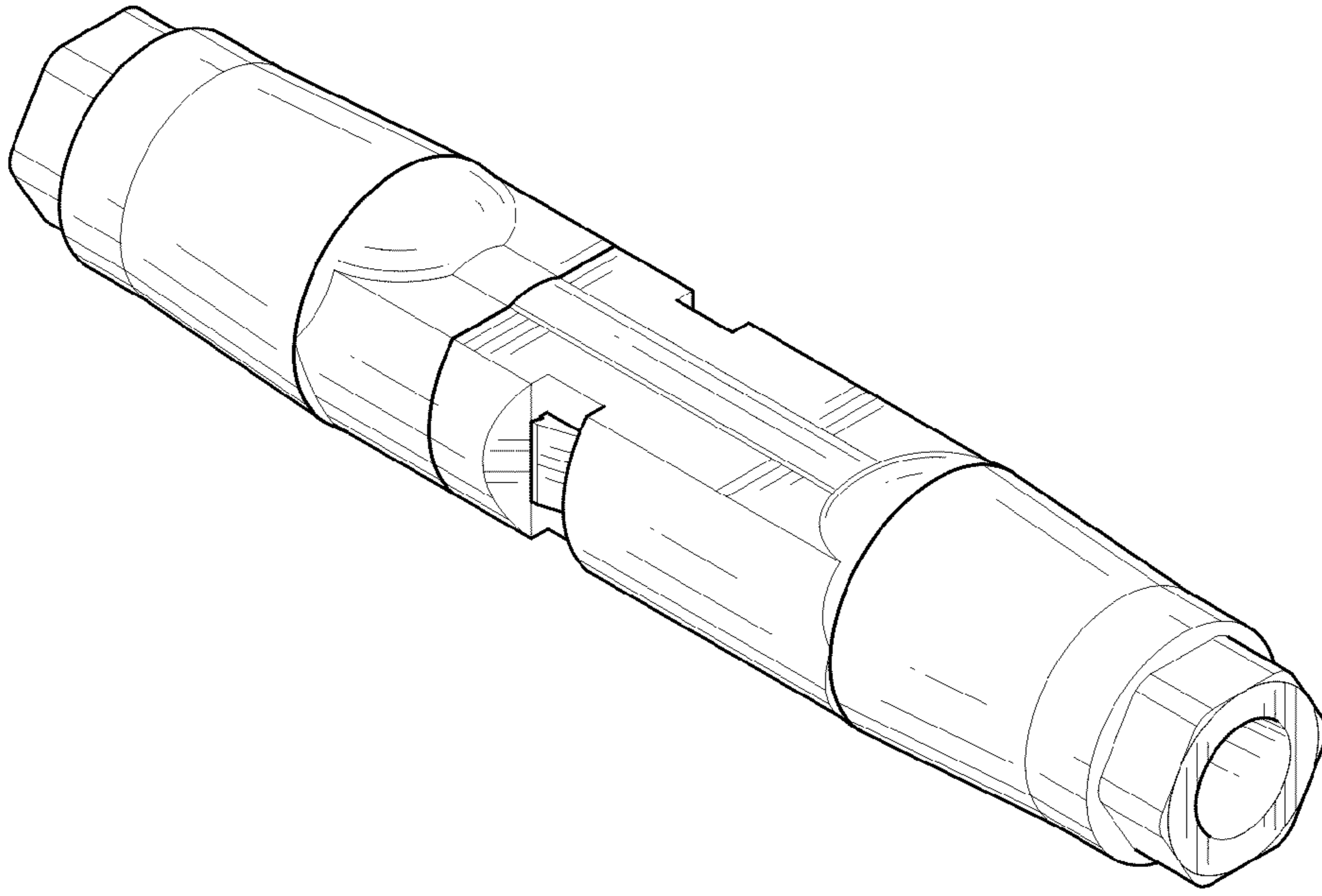


FIG . 1

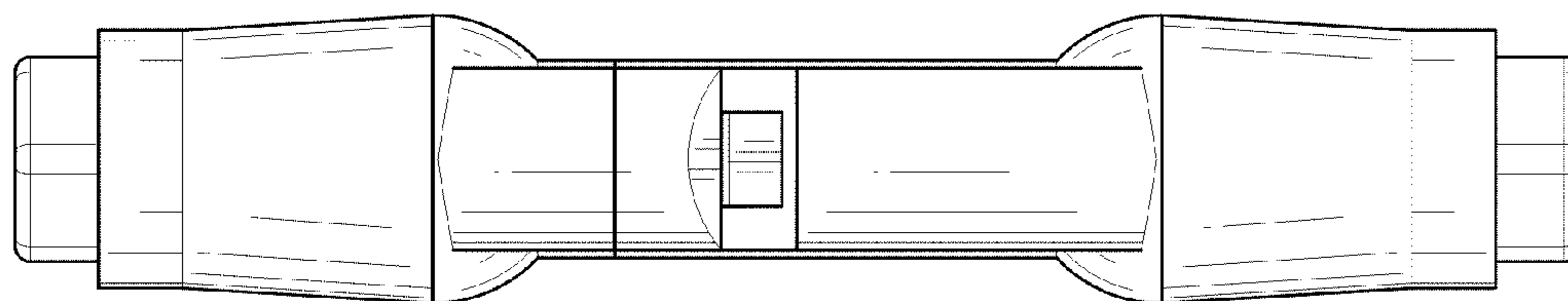


FIG. 2

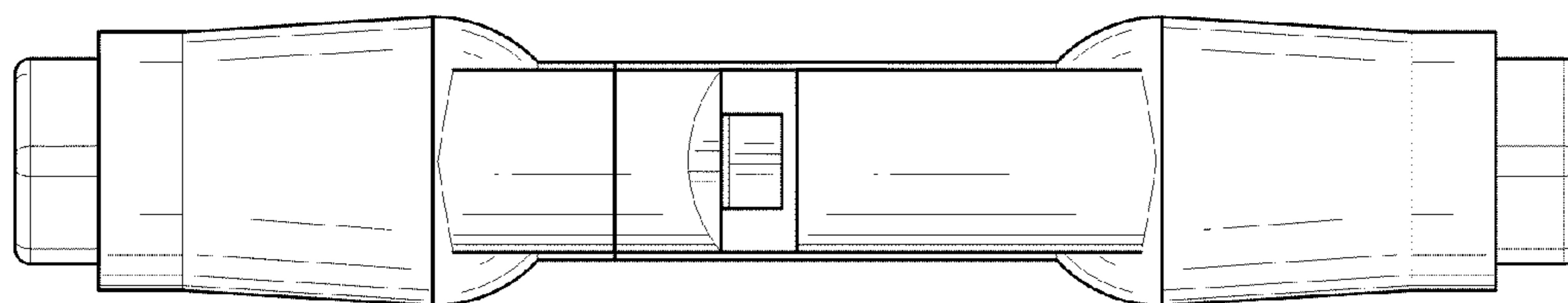


FIG. 3

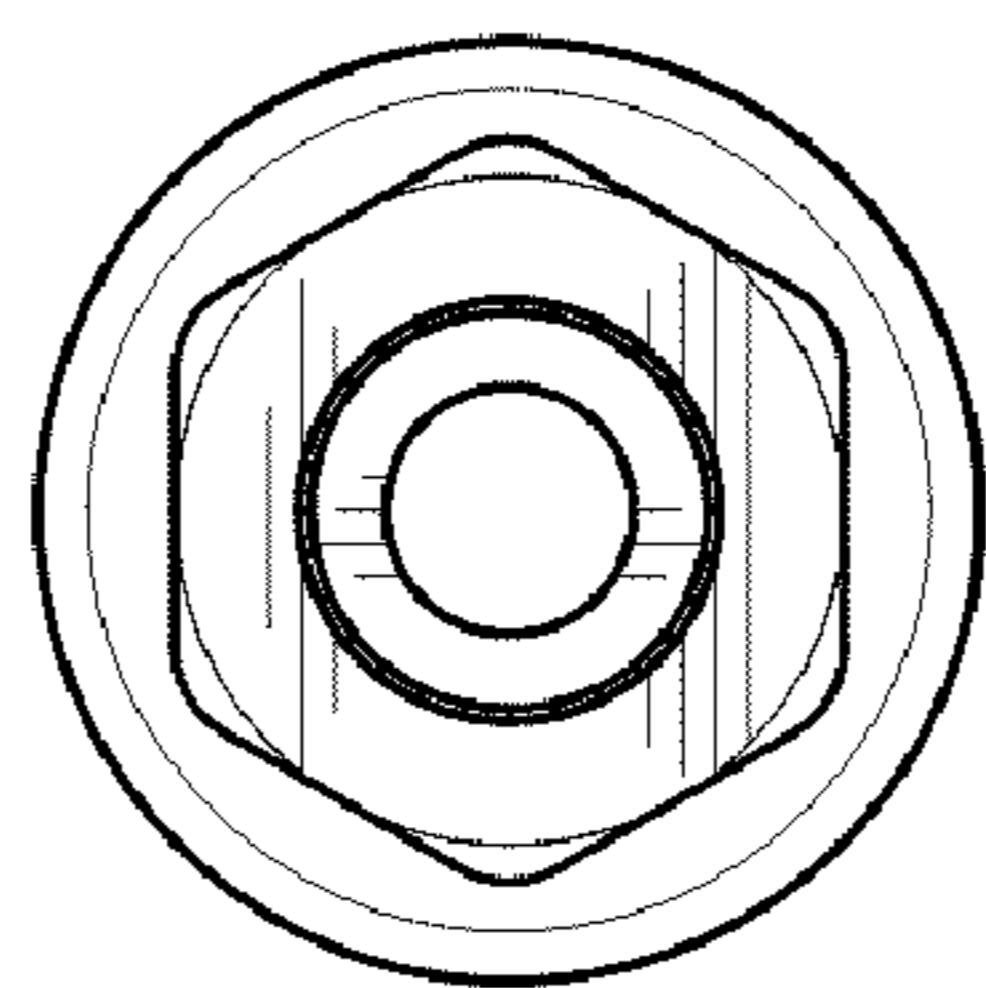


FIG. 4

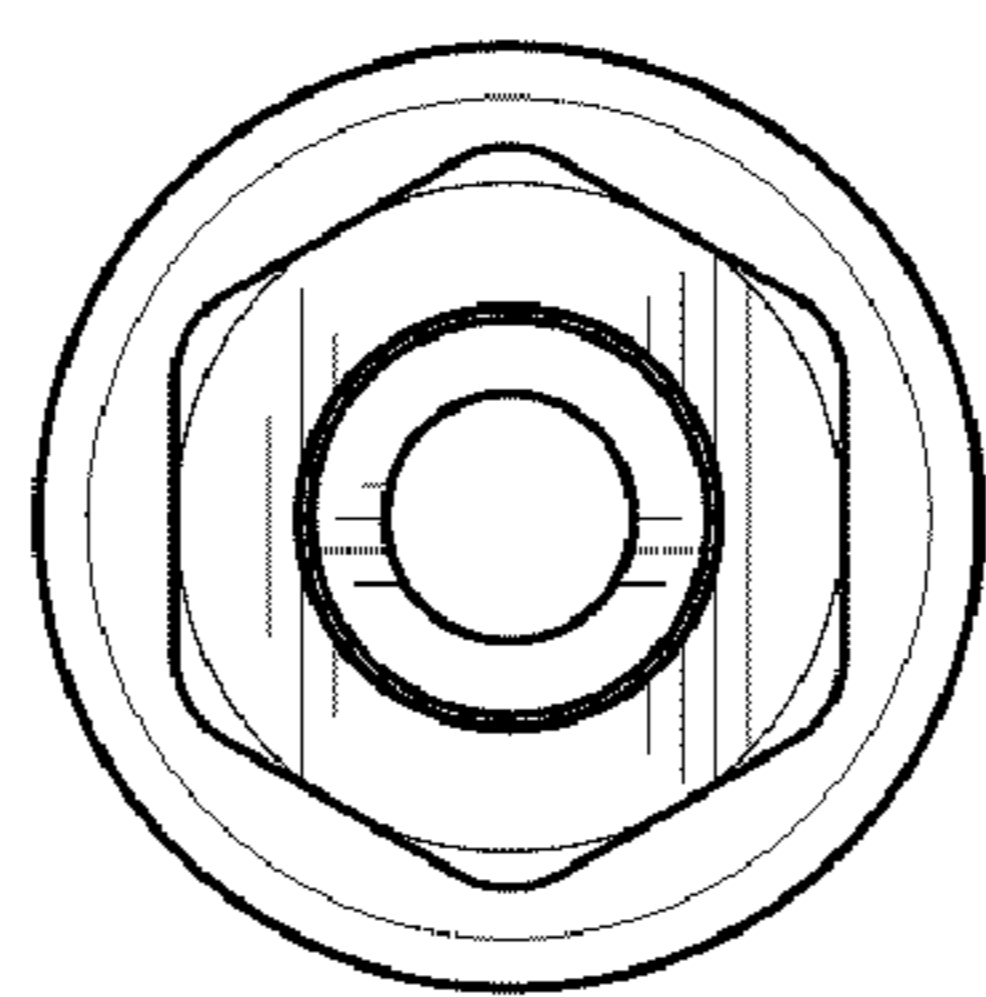


FIG. 5

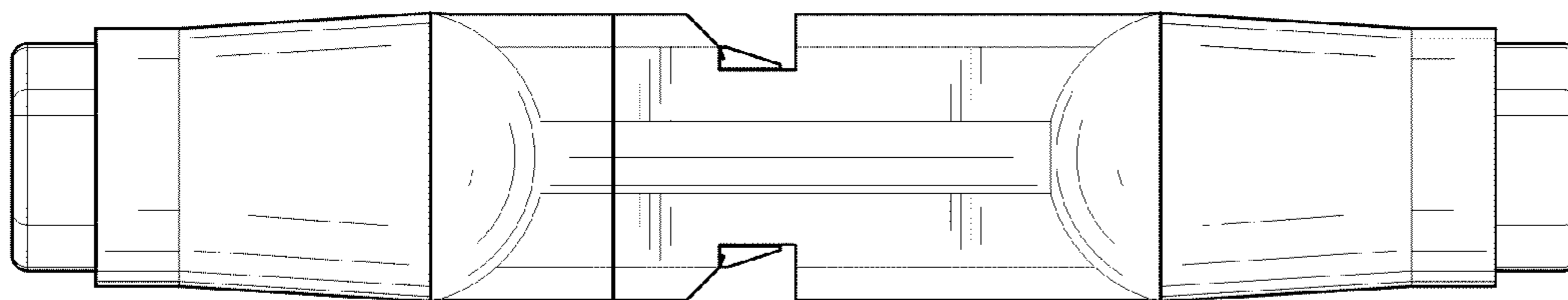


FIG. 6

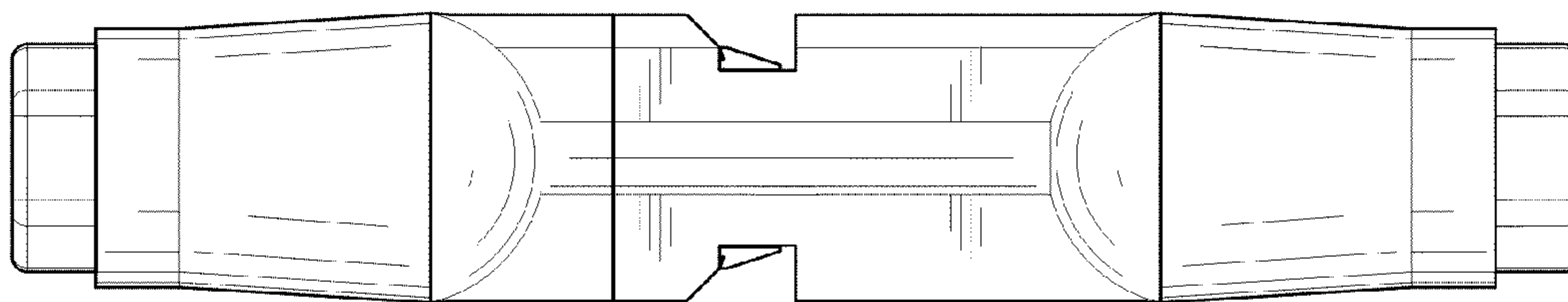


FIG. 7

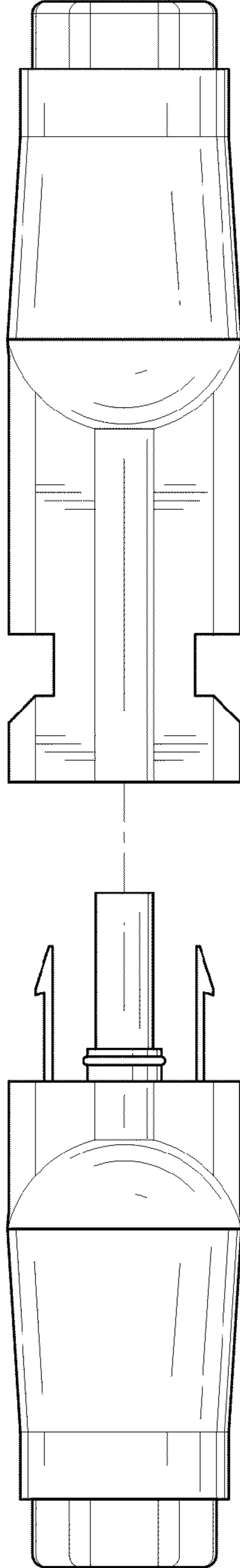


FIG. 8