



US00D647848S

(12) **United States Design Patent**  
**Yen et al.**

(10) **Patent No.:** **US D647,848 S**  
(45) **Date of Patent:** **\*\* Nov. 1, 2011**

- (54) **CORE**
- (75) Inventors: **Cheng-Ching Yen**, Taoyuan Hsien  
(TW); **Su-Chiung Hsu**, Taoyuan Hsien  
(TW)
- (73) Assignee: **Delta Electronics, Inc.**, Taoyuan Hsien  
(TW)
- (\*\*) Term: **14 Years**
- (21) Appl. No.: **29/389,382**
- (22) Filed: **Apr. 11, 2011**
- (51) **LOC (9) Cl.** ..... **13-02**
- (52) **U.S. Cl.** ..... **D13/118**
- (58) **Field of Classification Search** ..... D13/118,  
D13/101, 110, 120, 122, 183, 199; 219/116,  
219/624; 323/247, 250, 253; 334/59, 63,  
334/70, 76; 336/83, 136, 182, 185, 208,  
336/210, 212, 214, 218, 230, 232  
See application file for complete search history.

- 4,424,504 A \* 1/1984 Mitsui et al. .... 336/83
- D280,810 S \* 10/1985 Mitsui ..... D13/118
- 5,175,525 A \* 12/1992 Smith ..... 336/83
- D384,333 S \* 9/1997 Suzuki ..... D13/183
- D463,365 S \* 9/2002 Sakai et al. .... D13/118
- 6,696,913 B2 \* 2/2004 Meuche et al. .... 336/208
- D537,778 S \* 3/2007 Miyazaki ..... D13/118
- D539,220 S \* 3/2007 Iwakura ..... D13/118

\* cited by examiner

*Primary Examiner* — Stella Reid

*Assistant Examiner* — Derrick Holland

(74) *Attorney, Agent, or Firm* — Muncy, Geissler, Olds & Lowe, PLLC

(57) **CLAIM**  
The ornamental design for a core, as shown.

**DESCRIPTION**

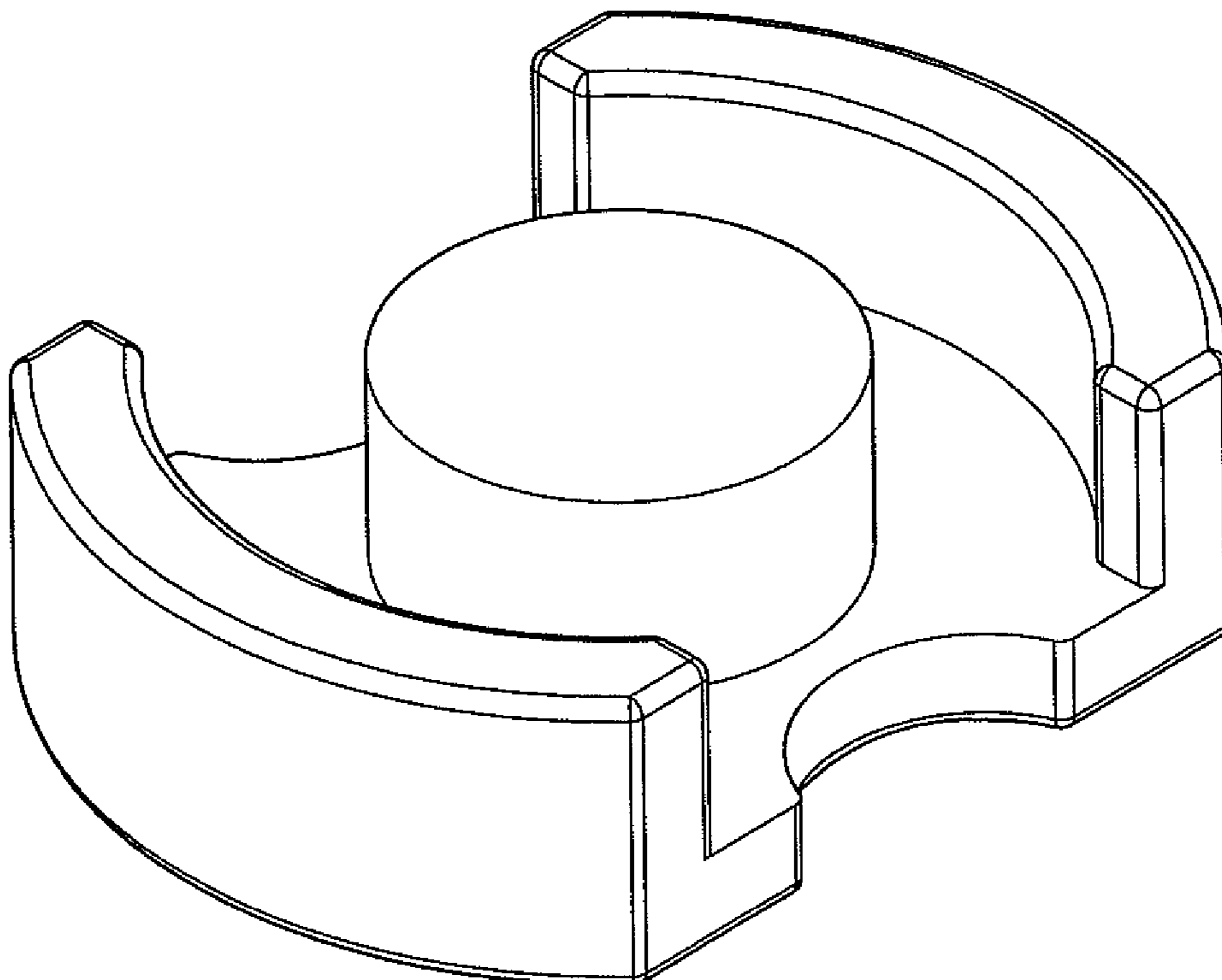
FIG. 1 is a perspective view of a core showing our new design; FIG. 2 is a front elevational view thereof; FIG. 3 is a rear elevational view thereof; FIG. 4 is a left side elevational view thereof; FIG. 5 is a right side elevational view thereof; FIG. 6 is a top plan view thereof; and, FIG. 7 is a bottom plan view thereof.

(56) **References Cited**

U.S. PATENT DOCUMENTS

- 3,898,601 A \* 8/1975 Meindl ..... 336/136
- D264,959 S \* 6/1982 Ota et al. .... D13/118

**1 Claim, 4 Drawing Sheets**



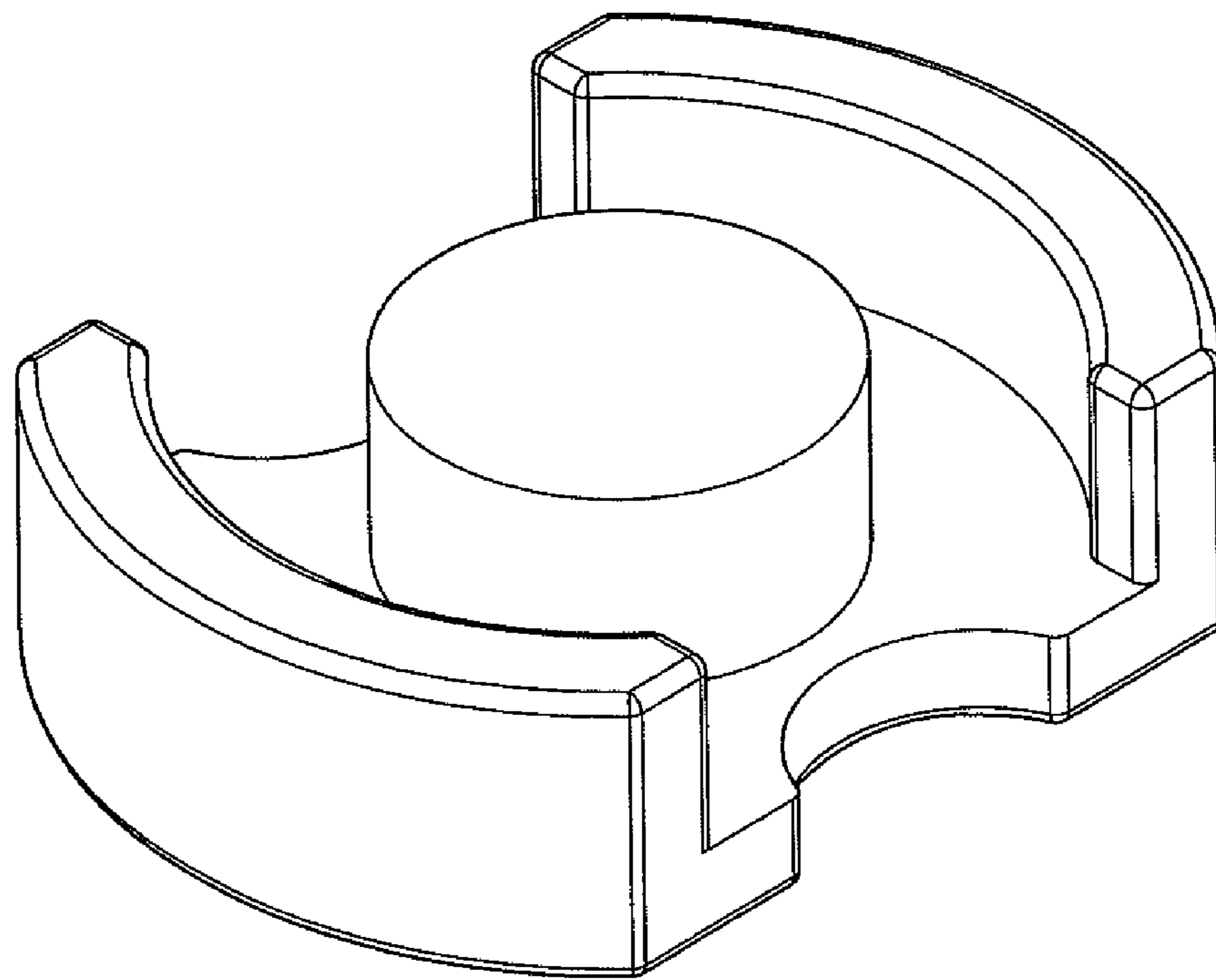


Fig. 1

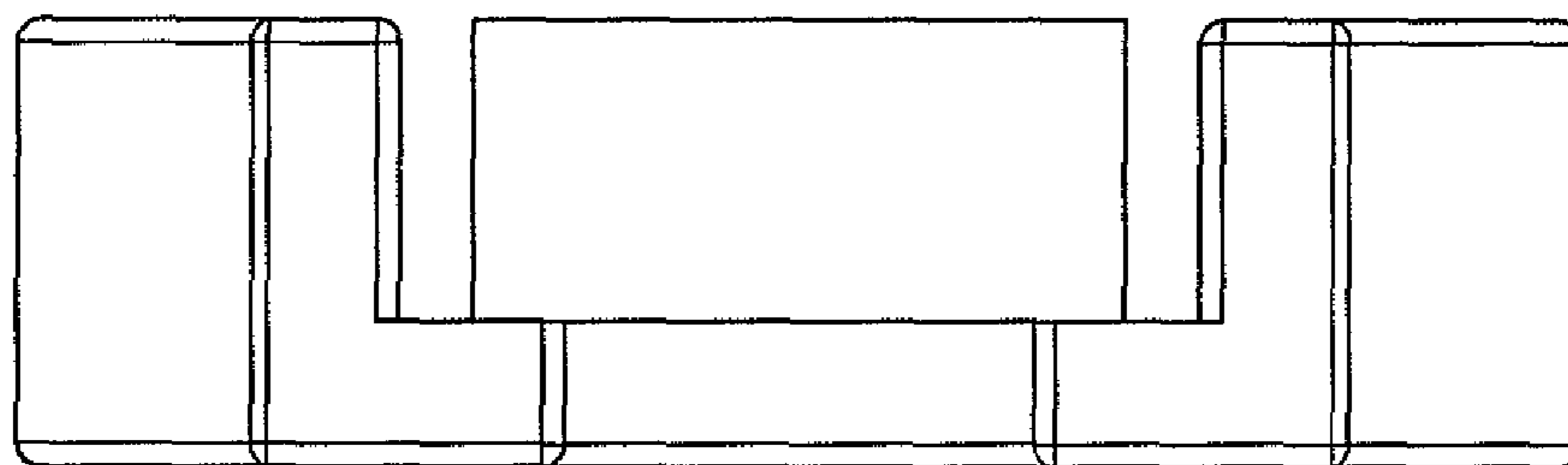


Fig. 2

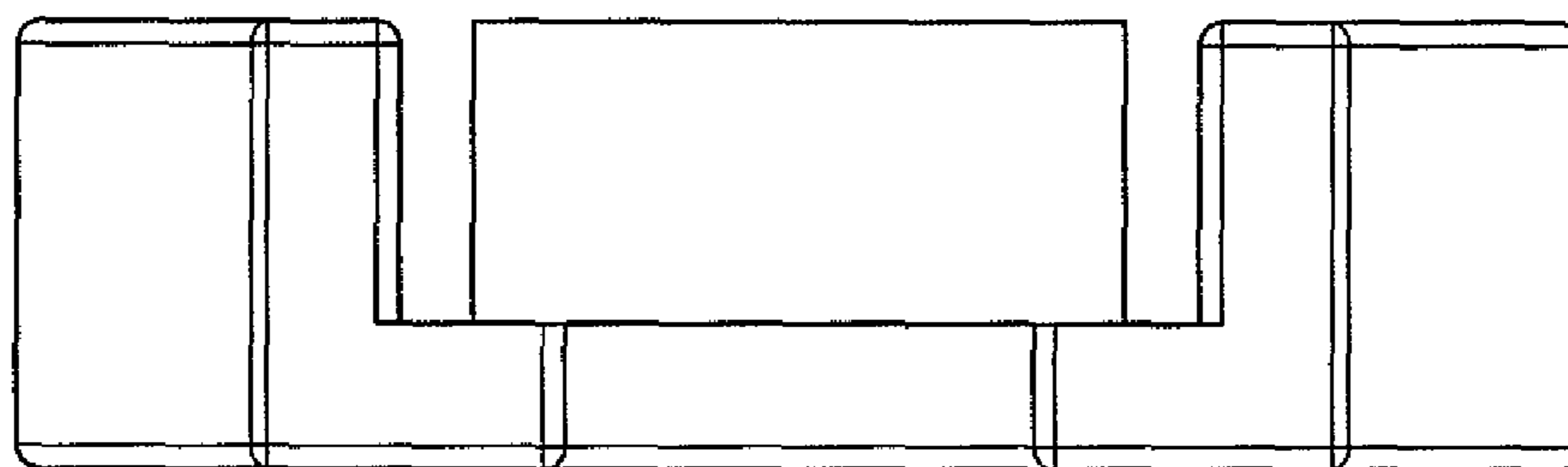


Fig. 3

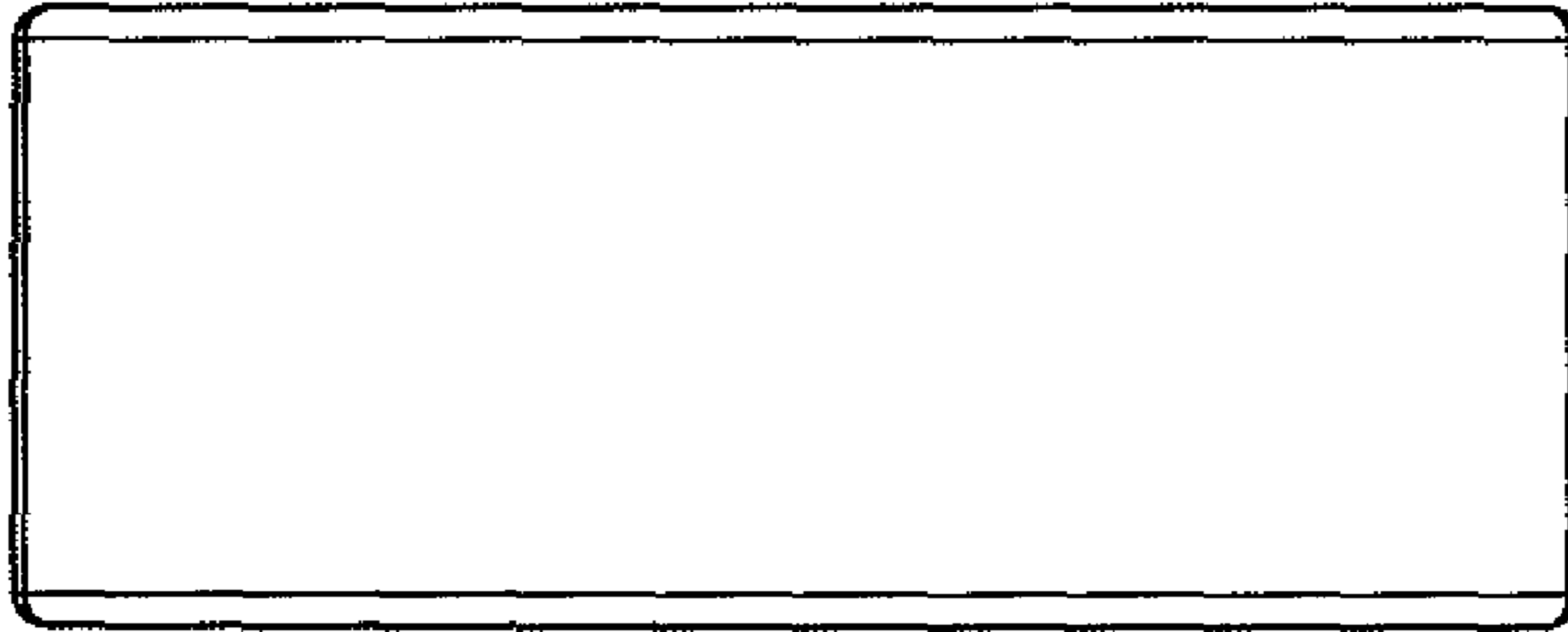


Fig. 4

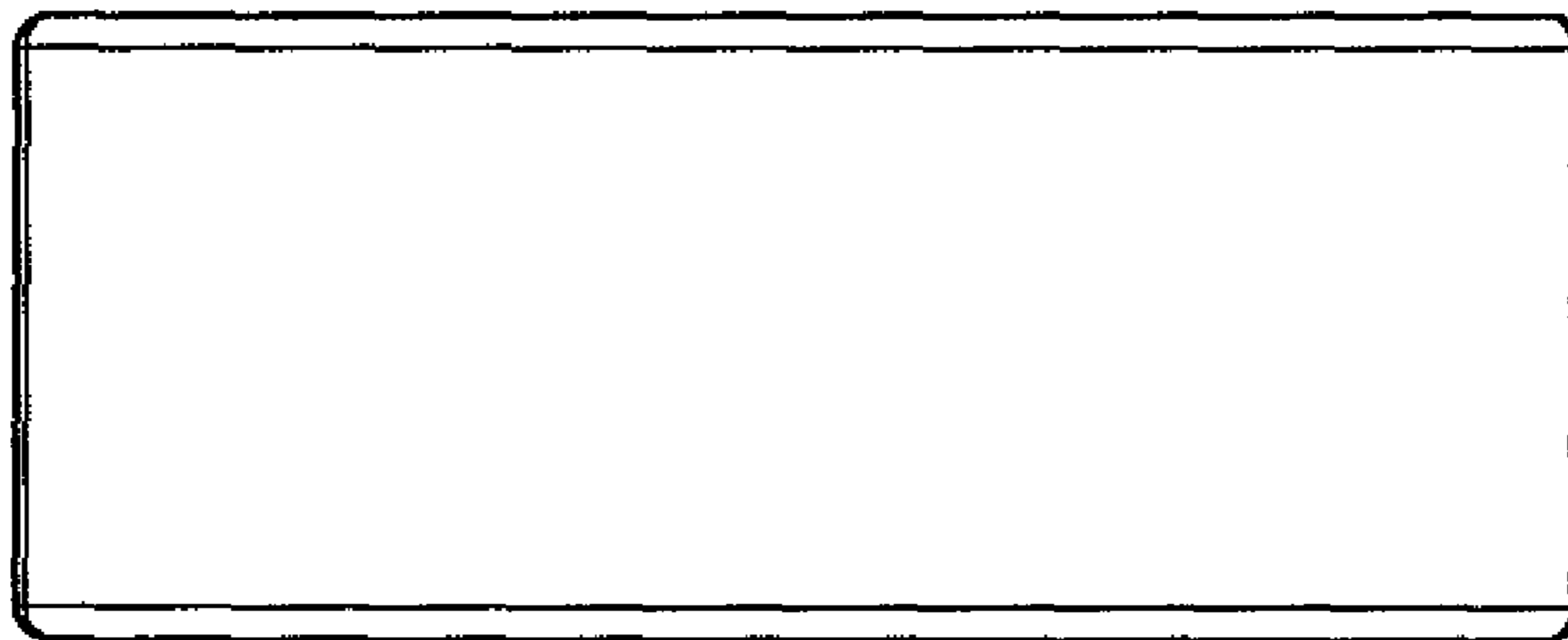


Fig. 5

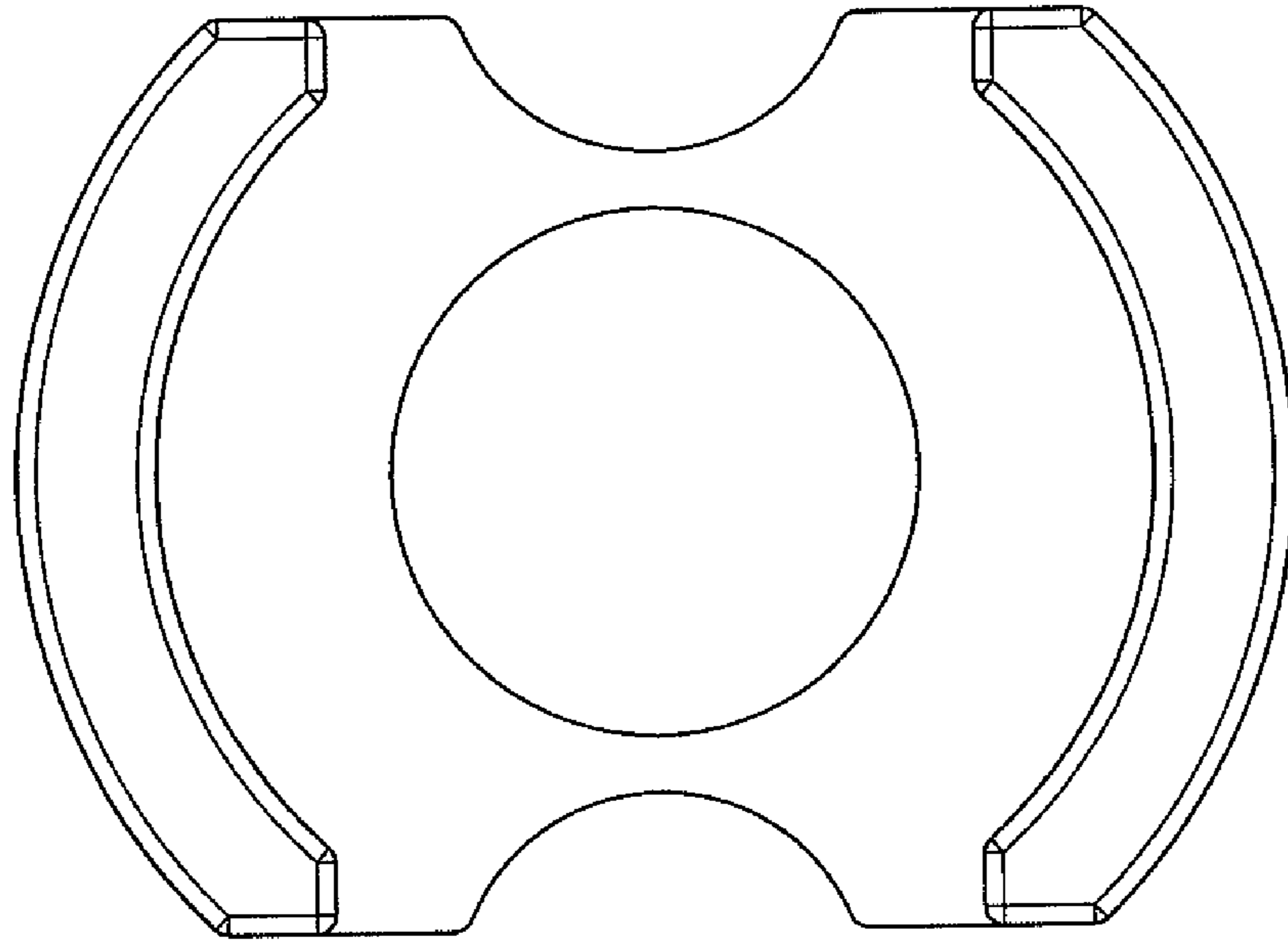


Fig. 6

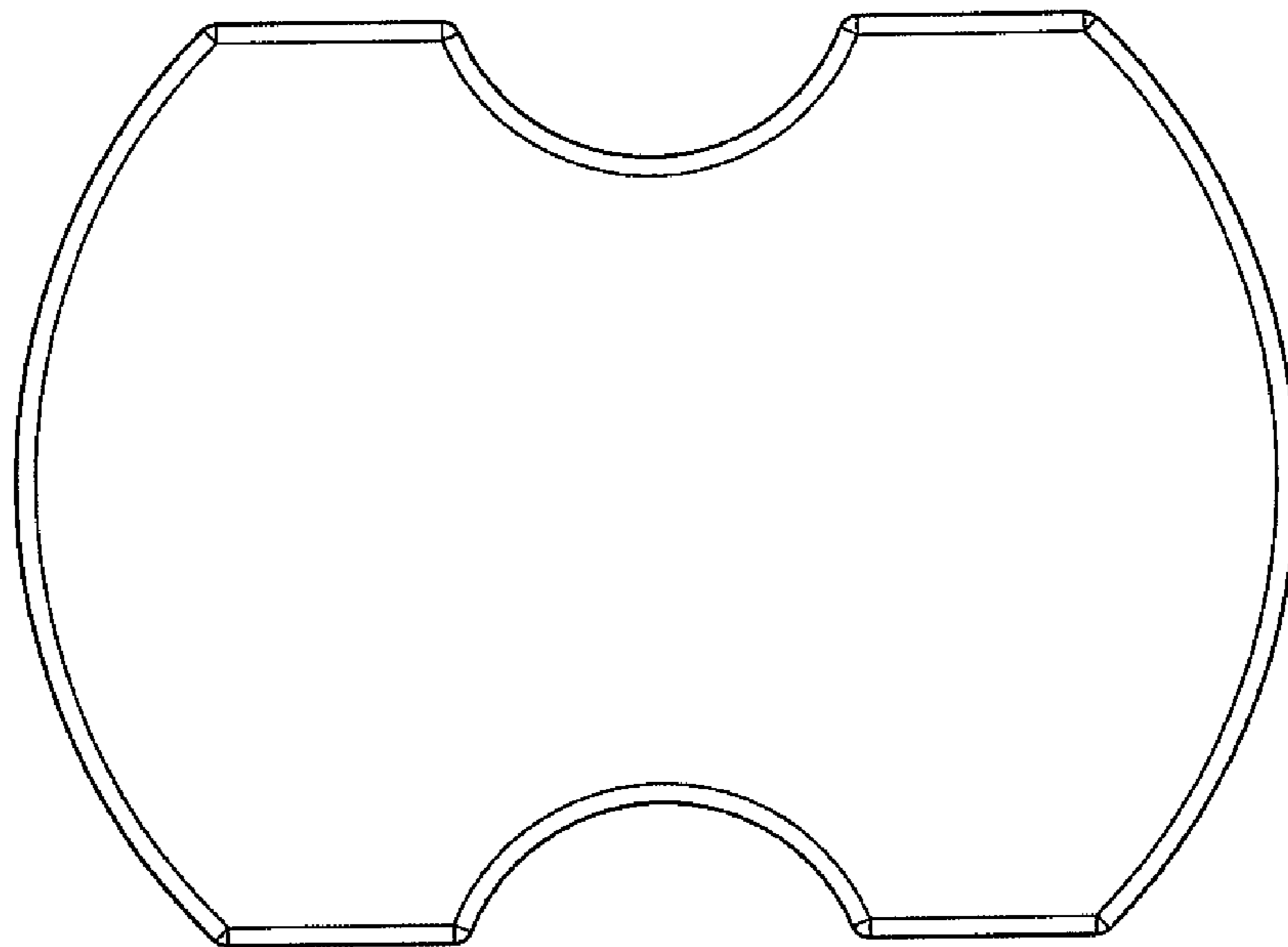


Fig. 7