



US00D647845S

(12) **United States Design Patent**
Engblom et al.

(10) **Patent No.:** **US D647,845 S**

(45) **Date of Patent:** **** Nov. 1, 2011**

(54) **MOTOR STARTER**

(75) Inventors: **Goran Engblom**, Vasteras (SE);
Kristoffer Kling, Vasteras (SE);
Christopher Miller, Pavia (IT)

(73) Assignee: **ABB AB** (SE)

(**) Term: **14 Years**

(21) Appl. No.: **29/375,532**

(22) Filed: **Sep. 23, 2010**

(30) **Foreign Application Priority Data**

Mar. 23, 2010 (EM) 001685611-0002

(51) **LOC (9) Cl.** **13-01**

(52) **U.S. Cl.** **D13/113**

(58) **Field of Classification Search** D13/113,
D13/101, 110, 122, 123, 184, 199; D15/5;
123/185.1, 185.14; 290/47, 48; 310/89,
310/109; 361/600, 601, 622, 702, 703, 730,
361/809; 363/141, 142

See application file for complete search history.

(56) **References Cited**

U.S. PATENT DOCUMENTS

4,620,263 A * 10/1986 Ito 361/690
D400,182 S * 10/1998 Yamada D13/162

6,249,435 B1 * 6/2001 Vicente et al. 361/717
D455,399 S * 4/2002 Imamura et al. D13/110
D468,687 S * 1/2003 Hamada et al. D13/113
D502,916 S * 3/2005 Higuchi et al. D13/110
D560,607 S * 1/2008 Suematsu et al. D13/110
D560,608 S * 1/2008 Dornauer et al. D13/113
D562,234 S * 2/2008 Morihara et al. D13/110
D563,316 S * 3/2008 Higuchi D13/110

* cited by examiner

Primary Examiner — Stella Reid

Assistant Examiner — Derrick Holland

(74) *Attorney, Agent, or Firm* — St. Onge Steward Johnston
& Reens LLC

(57) **CLAIM**

The ornamental design for a motor starter, as shown and described.

DESCRIPTION

FIG. 1 is a left side elevation view of a motor starter in accordance with the new design;

FIG. 2 is a right side elevation view thereof;

FIG. 3 is a top plan view thereof;

FIG. 4 is a bottom plan view thereof;

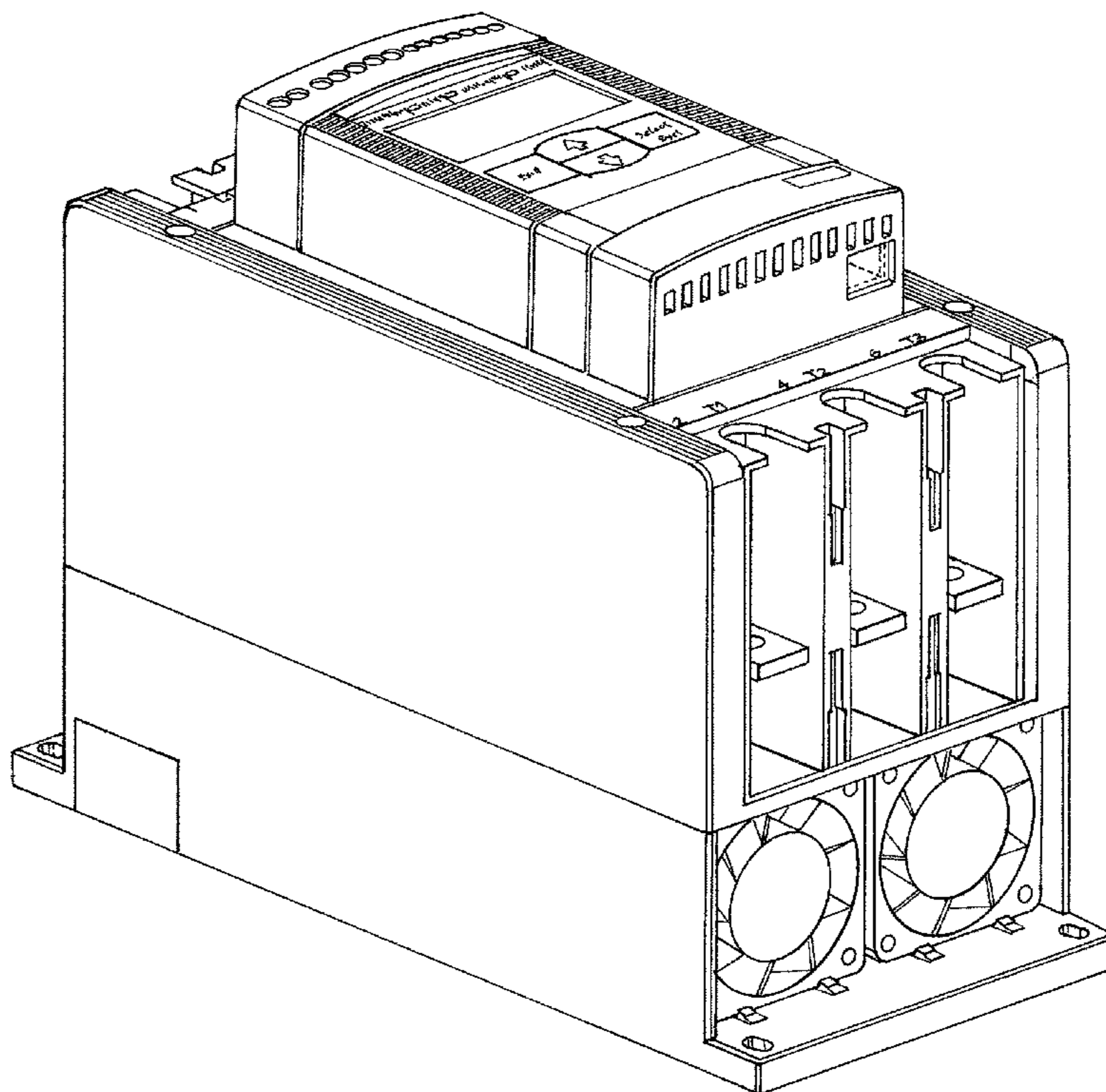
FIG. 5 is a rear elevation view thereof;

FIG. 6 is a front elevation view thereof; and,

FIG. 7 is a right side perspective view thereof.

The broken lines shown represent unclaimed subject matter and form no part of the claimed design.

1 Claim, 7 Drawing Sheets



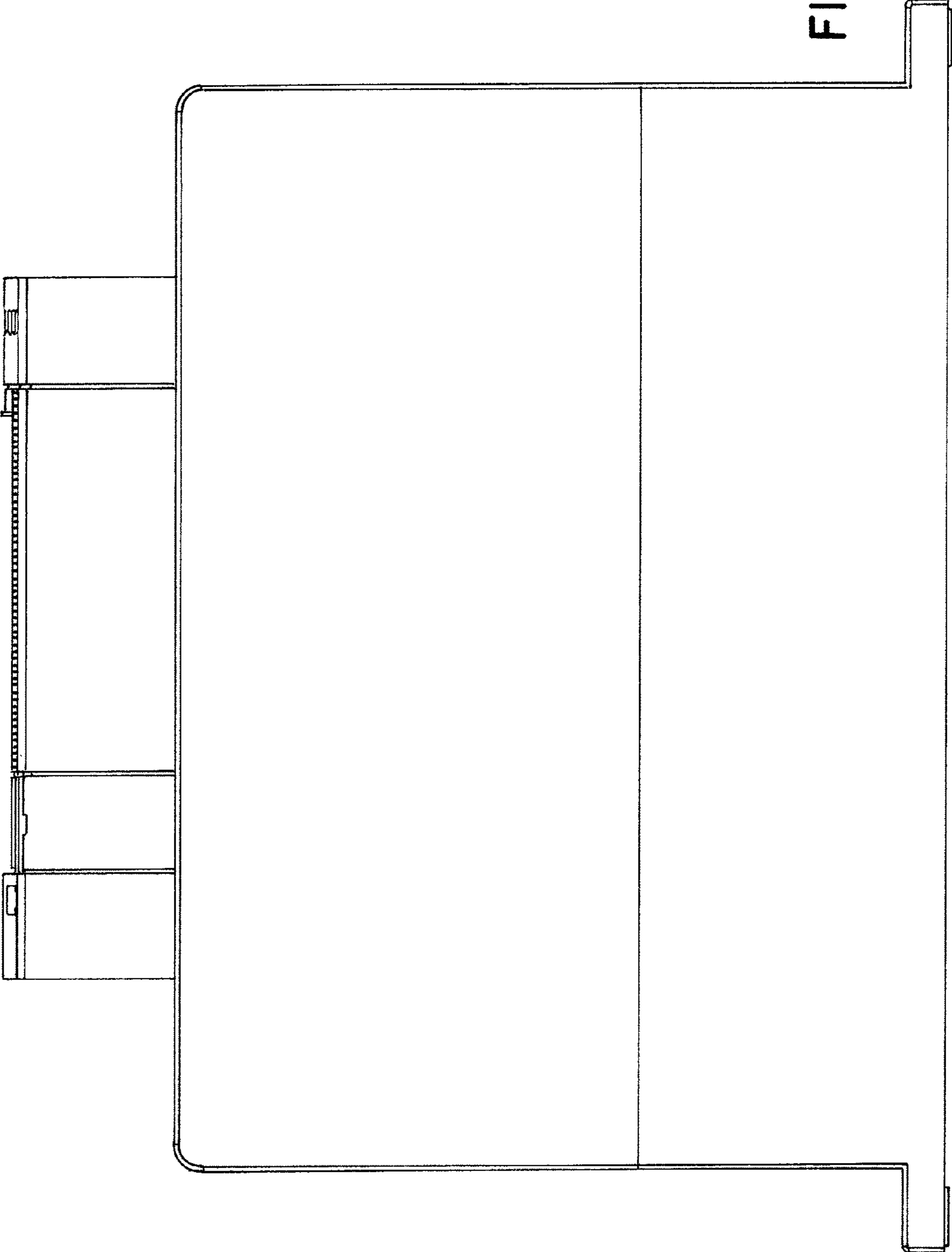


FIG. 1

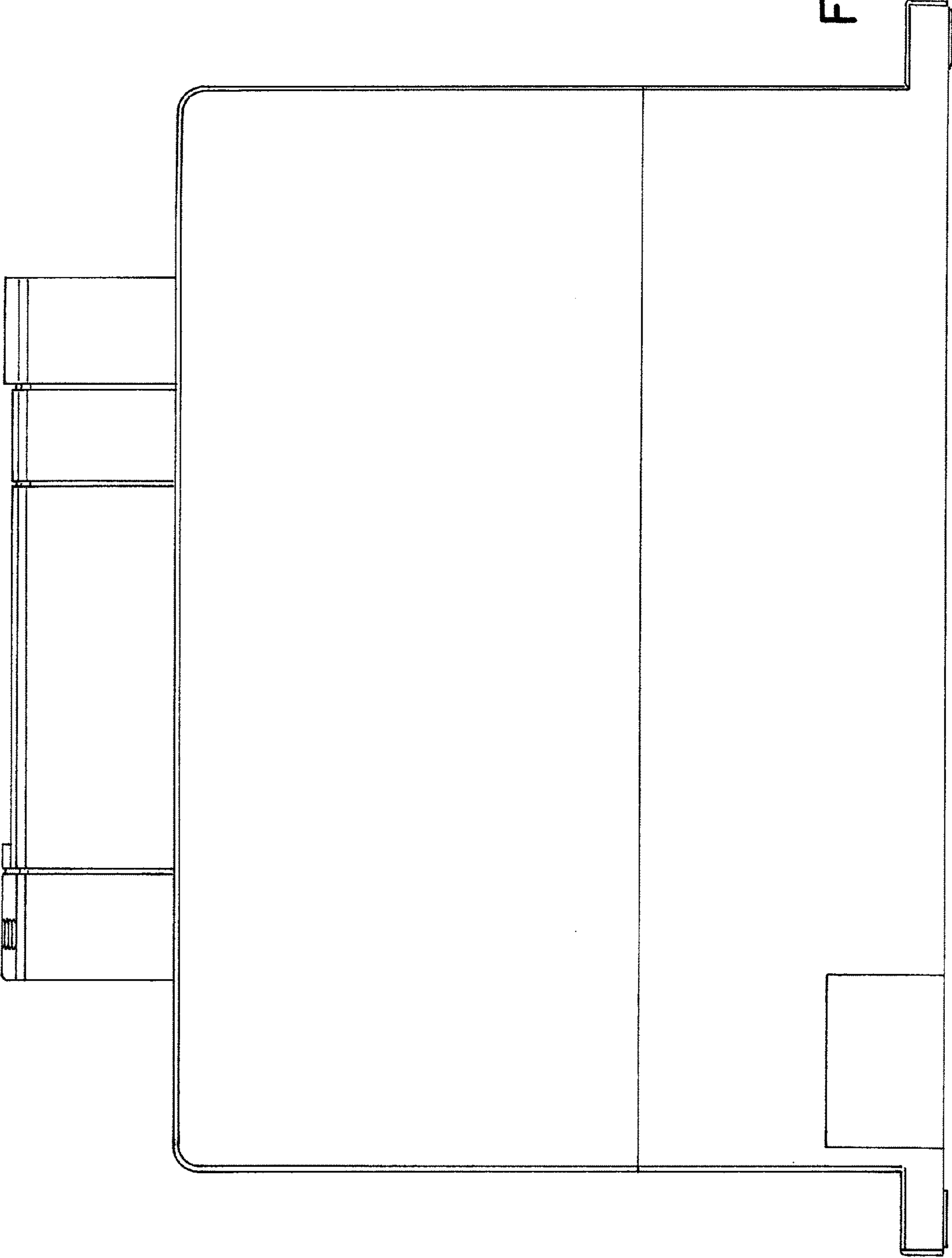


FIG. 2

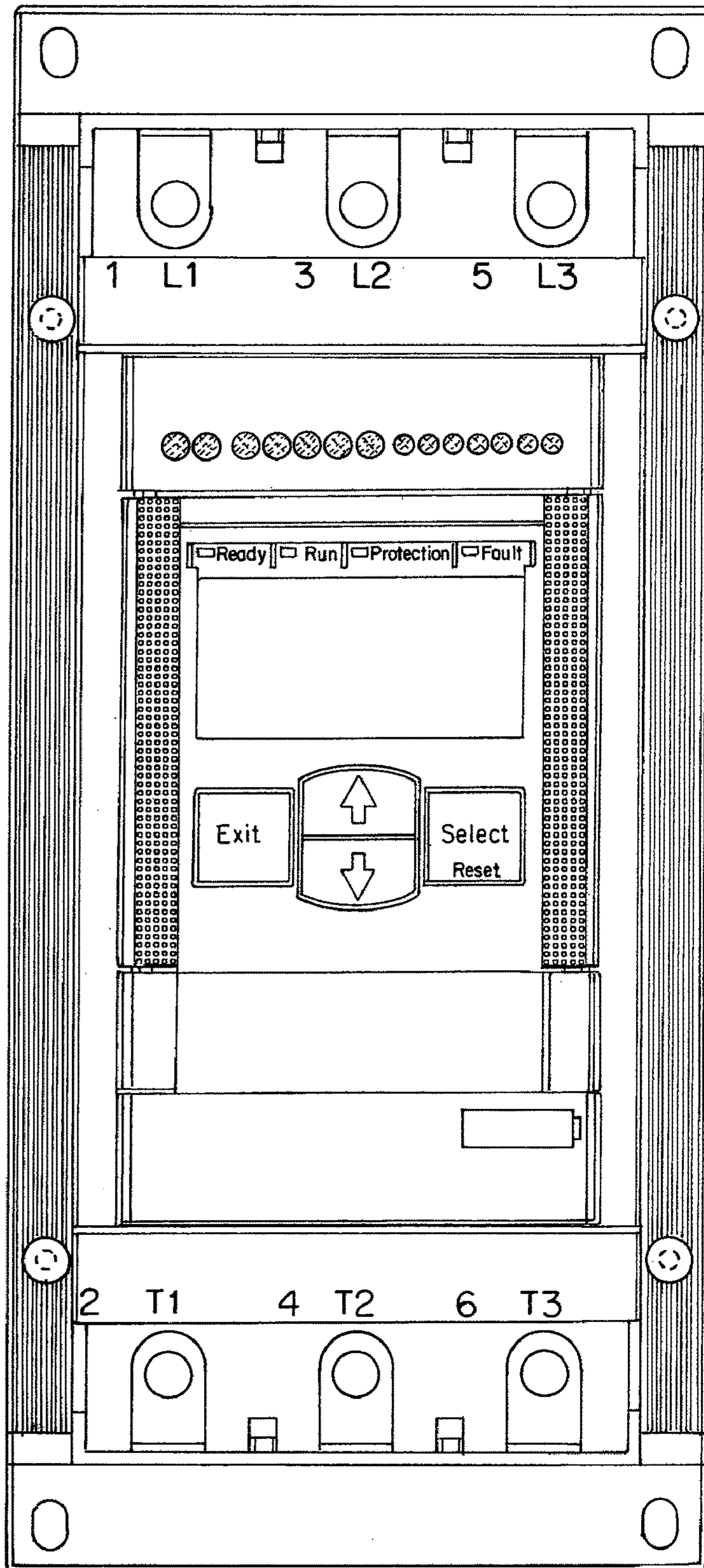


FIG. 3

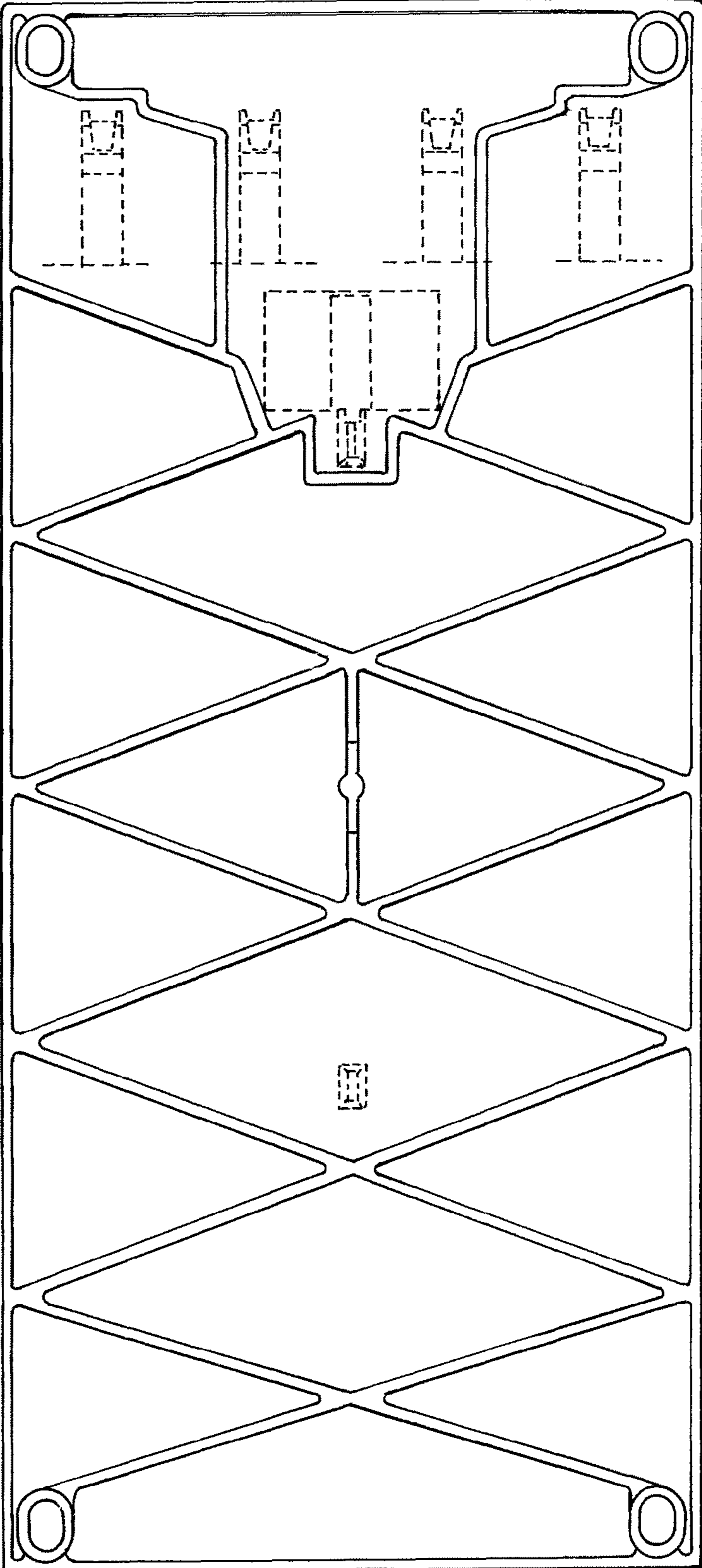


FIG. 4

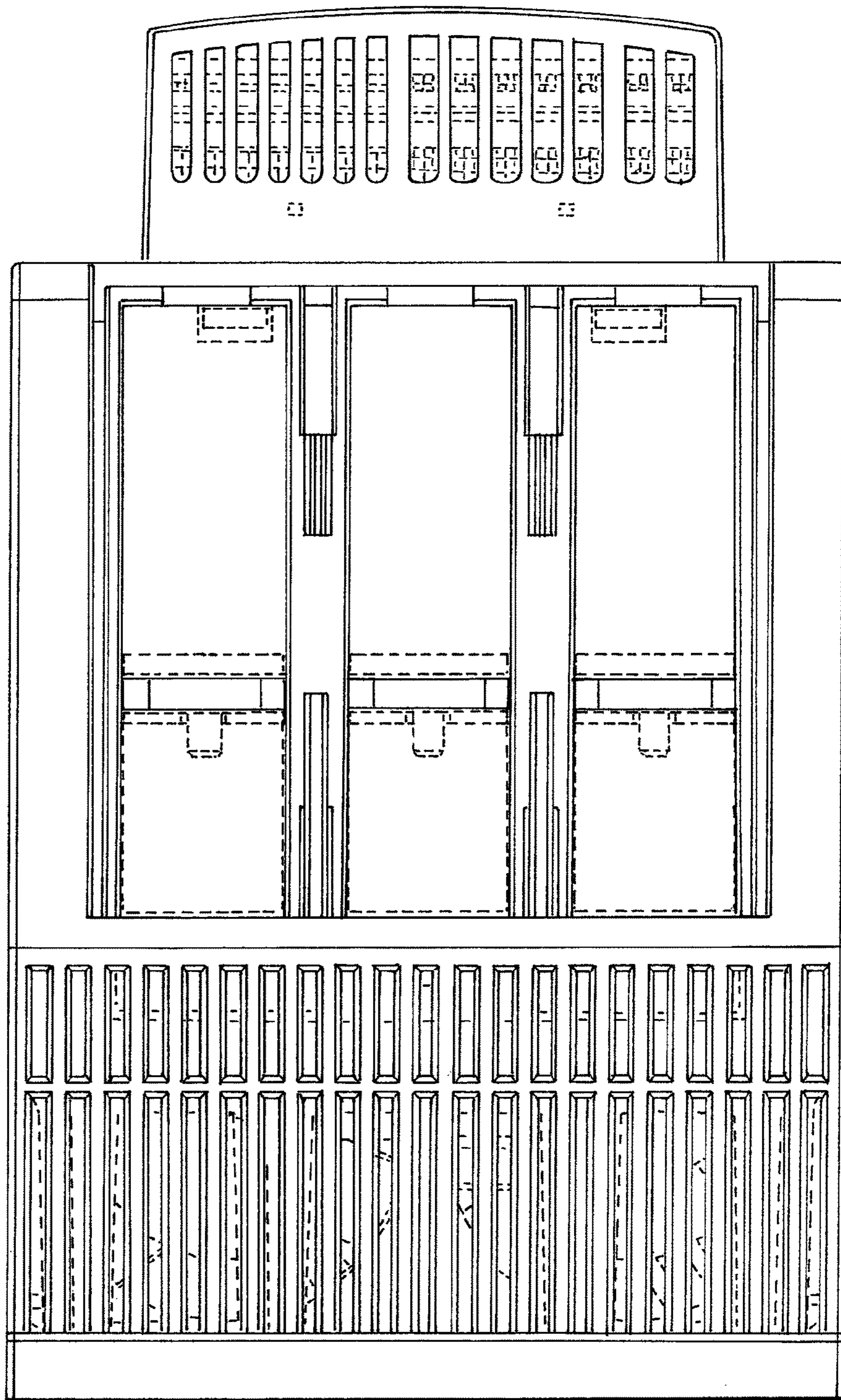


FIG. 5

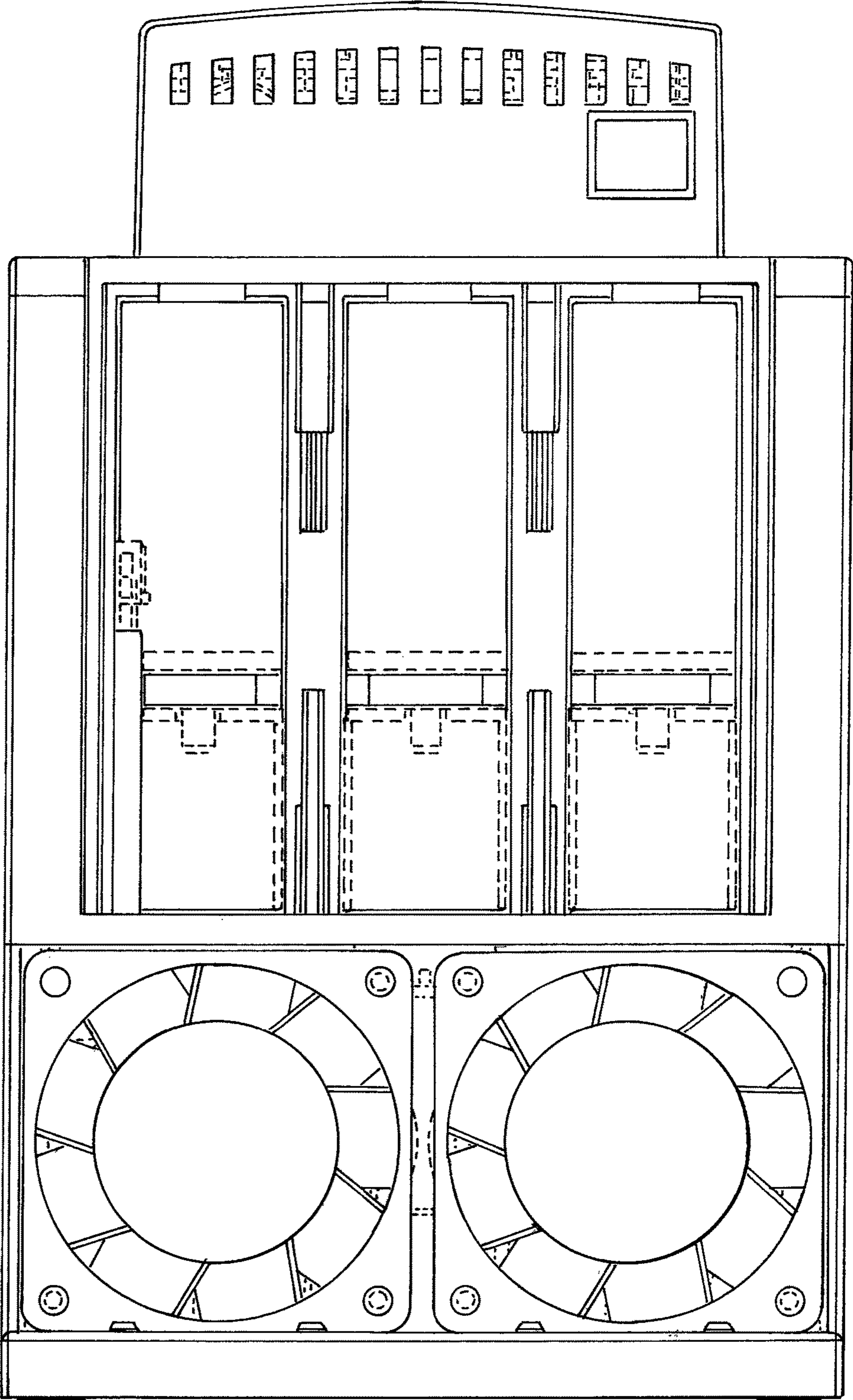


FIG. 6

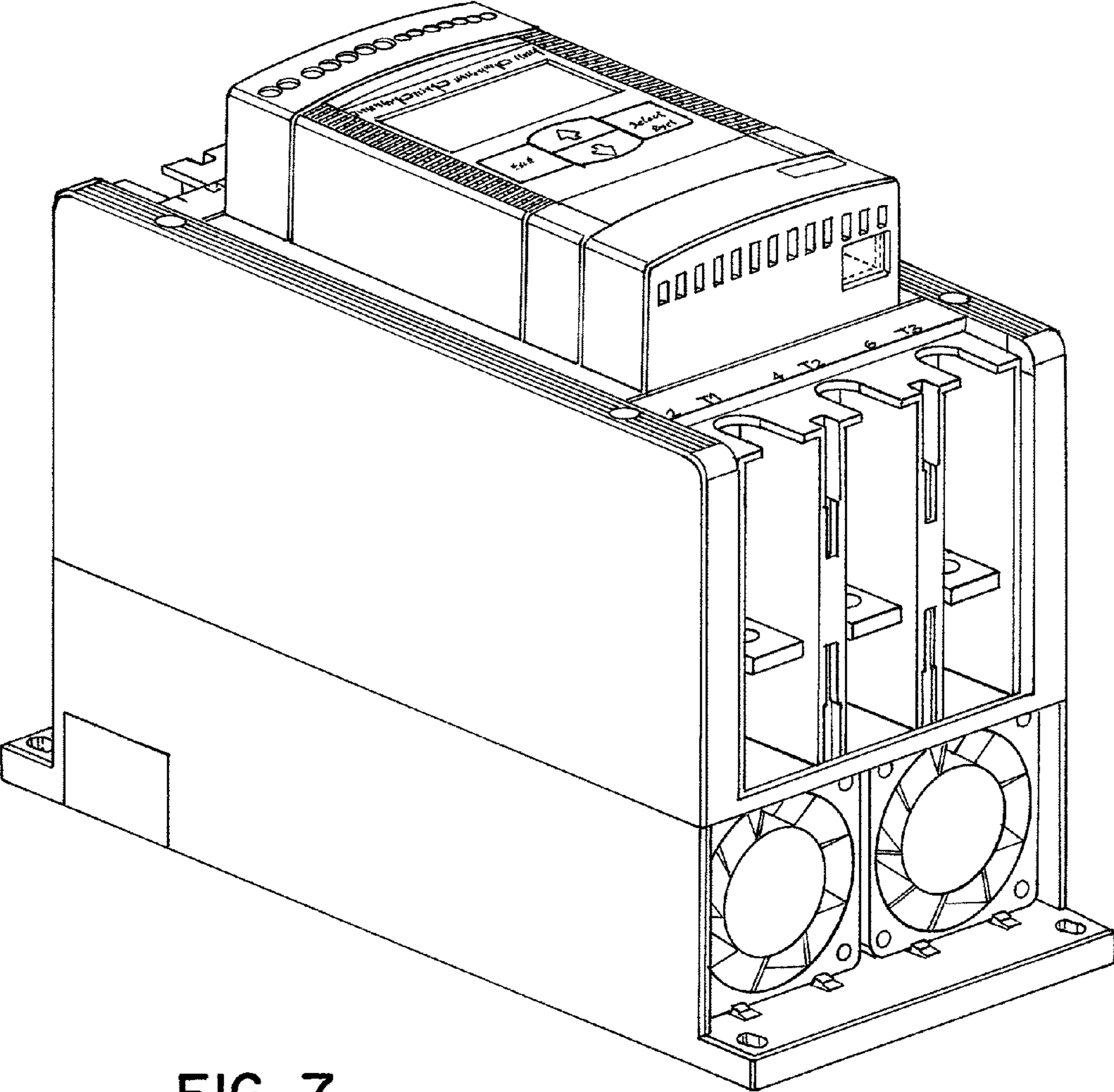


FIG. 7