



US00D647843S

(12) **United States Design Patent**  
**Albritton et al.**

(10) **Patent No.:** **US D647,843 S**

(45) **Date of Patent:** **\*\* Nov. 1, 2011**

(54) **ENERGY TRANSFER MODULE**

(75) Inventors: **Charles Wade Albritton**, Hercules, CA (US); **Brian D. West**, Oakland, CA (US)

(73) Assignee: **PVT Solar Inc.**, Fremont, CA (US)

(\*\*) Term: **14 Years**

(21) Appl. No.: **29/343,919**

(22) Filed: **Sep. 21, 2009**

(51) **LOC (9) Cl.** ..... **13-02**

(52) **U.S. Cl.** ..... **D13/110**

(58) **Field of Classification Search** ..... D13/110,  
D13/101, 102, 118, 184, 199; 126/569-580,  
126/584, 585, 704; 136/200, 206, 207, 246,  
136/248, 253, 256, 259; 257/433, 434, 436,  
257/437

See application file for complete search history.

(56) **References Cited**

**U.S. PATENT DOCUMENTS**

D260,282 S *	8/1981	Fattor	.....	D13/102
4,324,947 A *	4/1982	Dumbeck	.....	136/248
4,483,324 A *	11/1984	Fromm	.....	126/572
D383,113 S *	9/1997	Grandinetti	.....	D13/102

D507,528 S *	7/2005	Feldman et al.	.....	D13/110
D517,006 S *	3/2006	Bessmertny	.....	D13/102
7,173,179 B2 *	2/2007	Nicoletti et al.	.....	136/246
D578,060 S *	10/2008	Boedecker	.....	D13/102

\* cited by examiner

*Primary Examiner* — Stella Reid

*Assistant Examiner* — Derrick Holland

(74) *Attorney, Agent, or Firm* — Richard T. Ogawa; Ogawa P.C.

(57) **CLAIM**

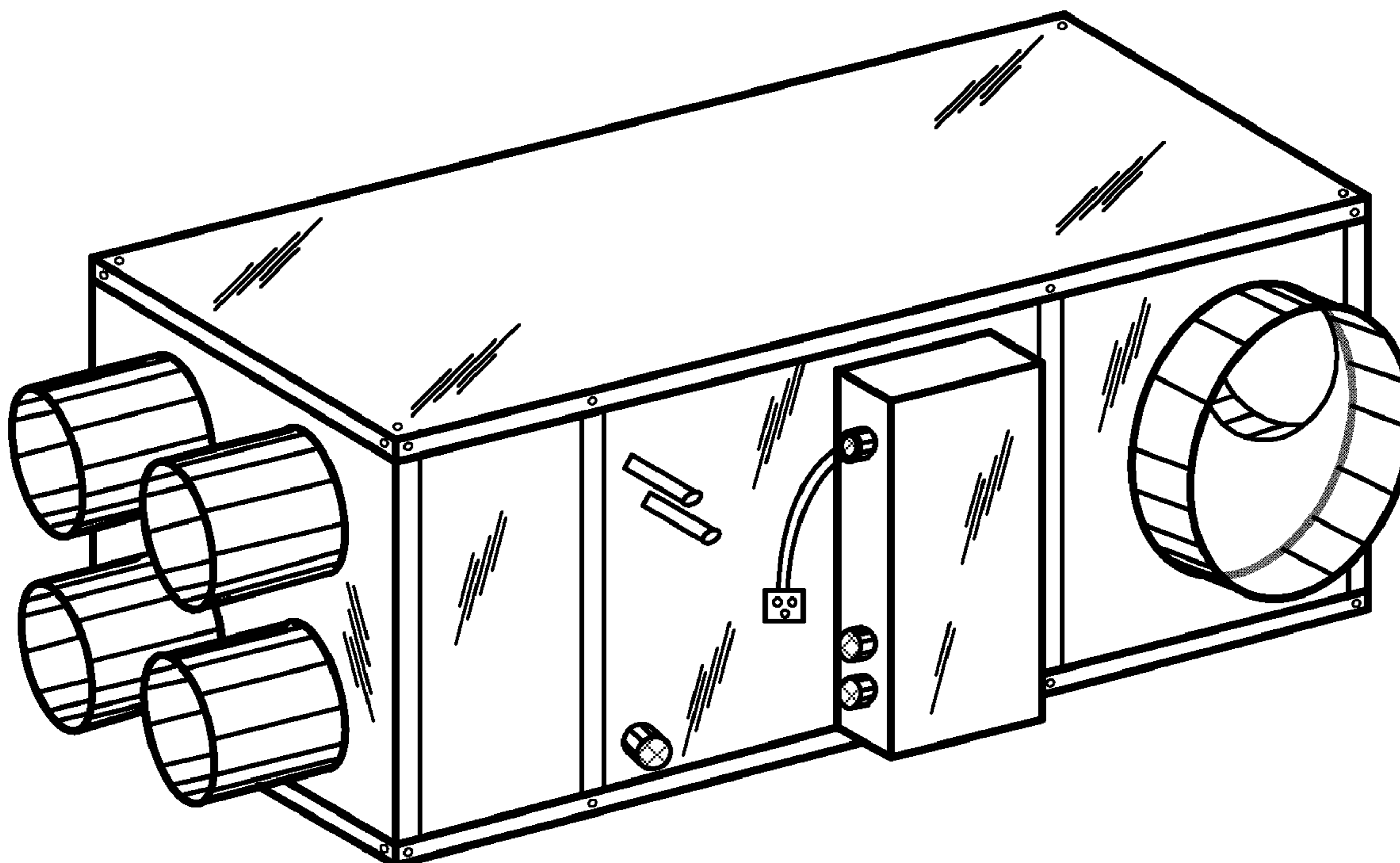
The ornamental design for energy transfer module, as shown and described.

**DESCRIPTION**

FIG. 1 is a perspective view of an energy transfer module showing our new design; FIG. 2 is a left side view thereof; FIG. 3 is a right side view thereof; FIG. 4 is a top plan view thereof; FIG. 5 is a front side view thereof; and, FIG. 6 is a back side view thereof.

The text, graphics, and portion of a graphical user interface shown in broken lines form no part of the claimed design.

**1 Claim, 6 Drawing Sheets**



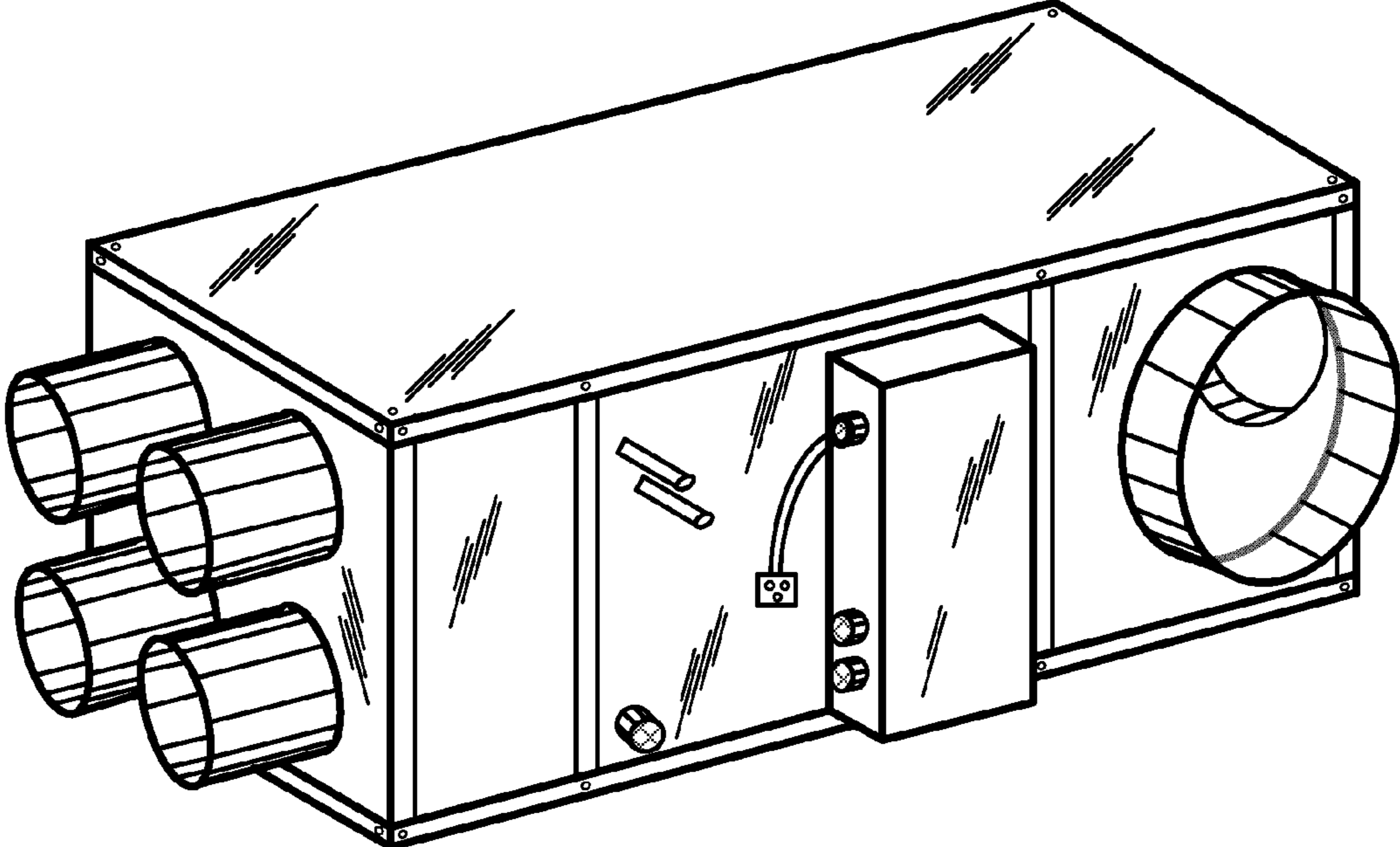


FIGURE 1

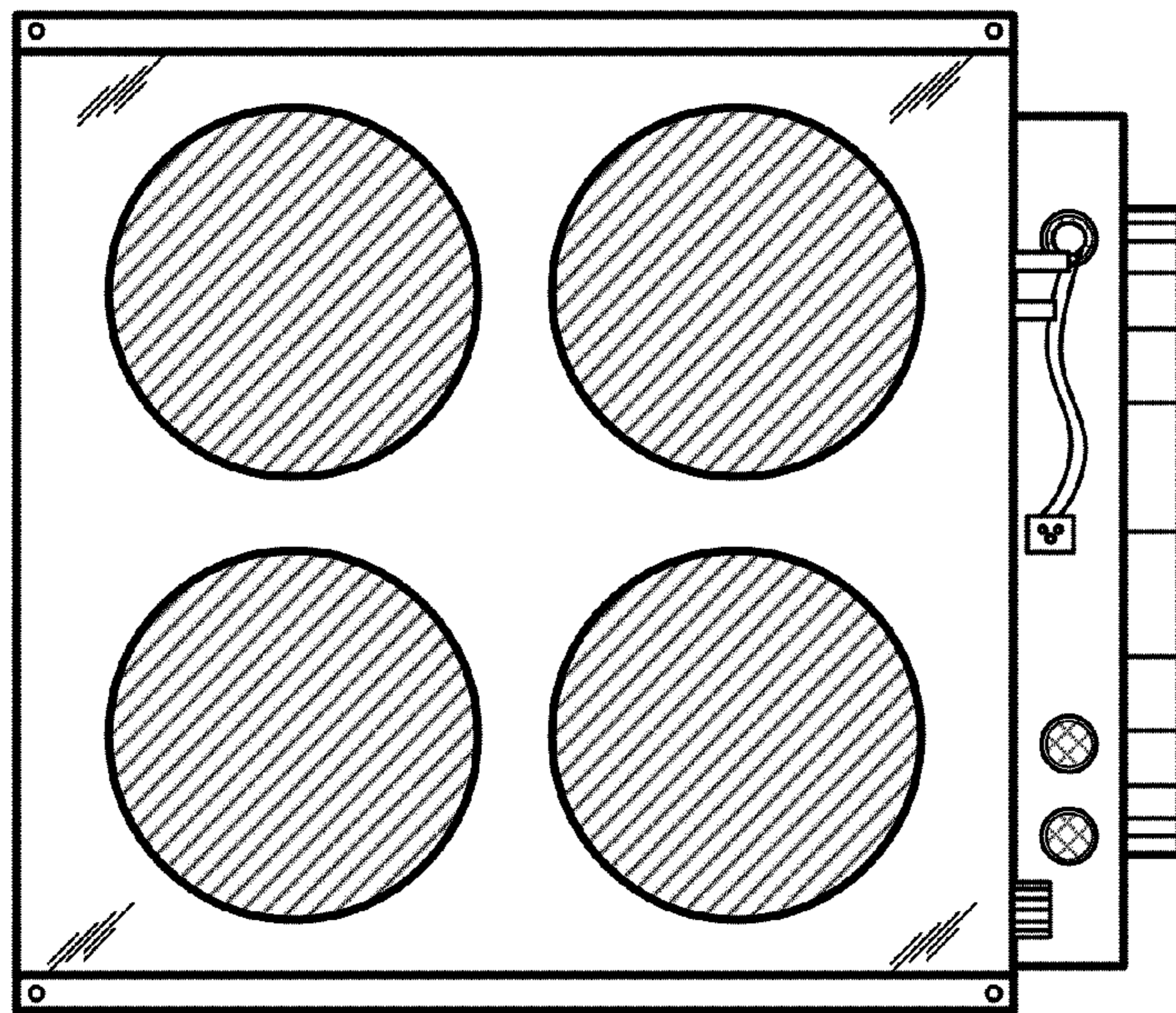


FIGURE 2

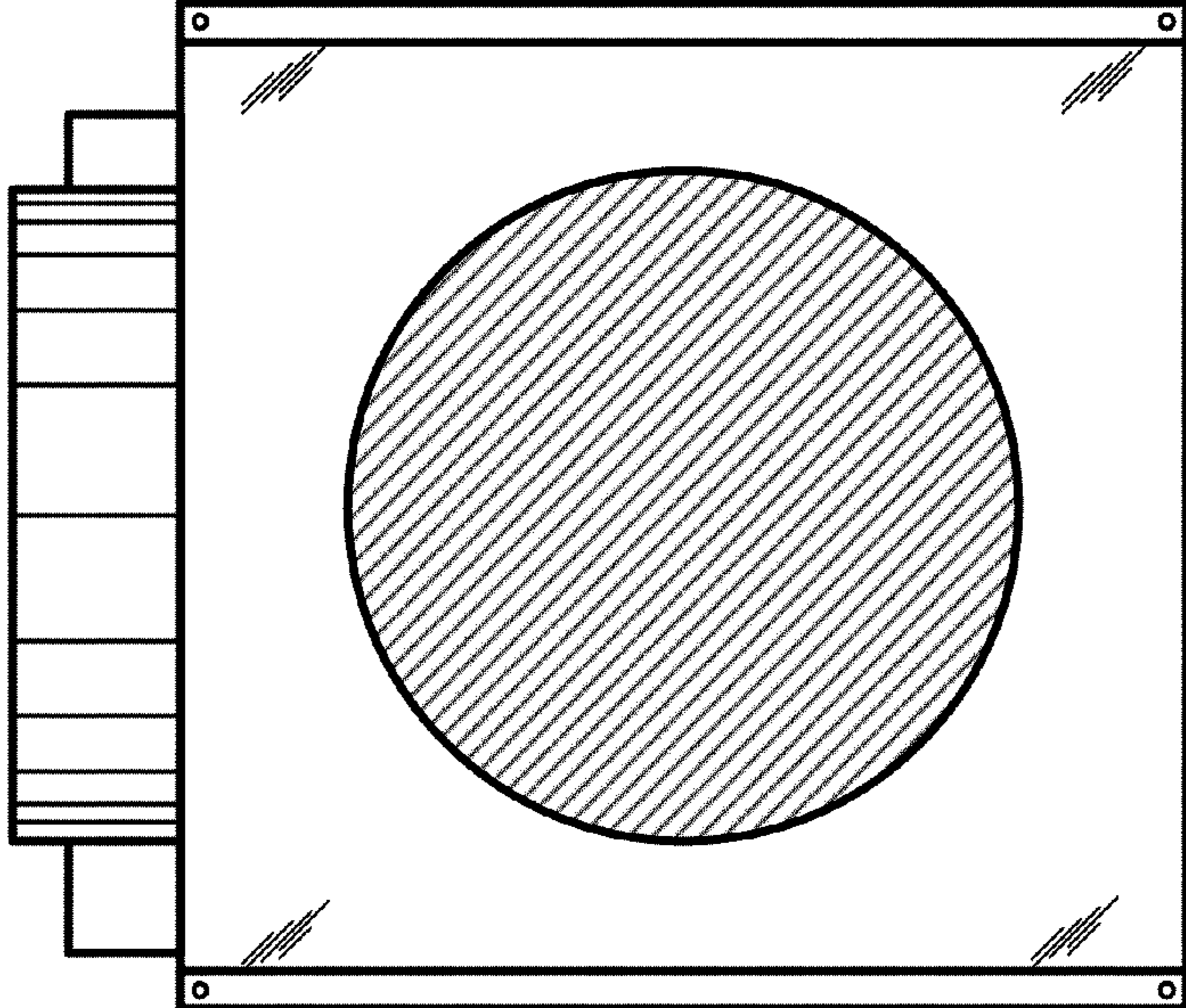


FIGURE 3

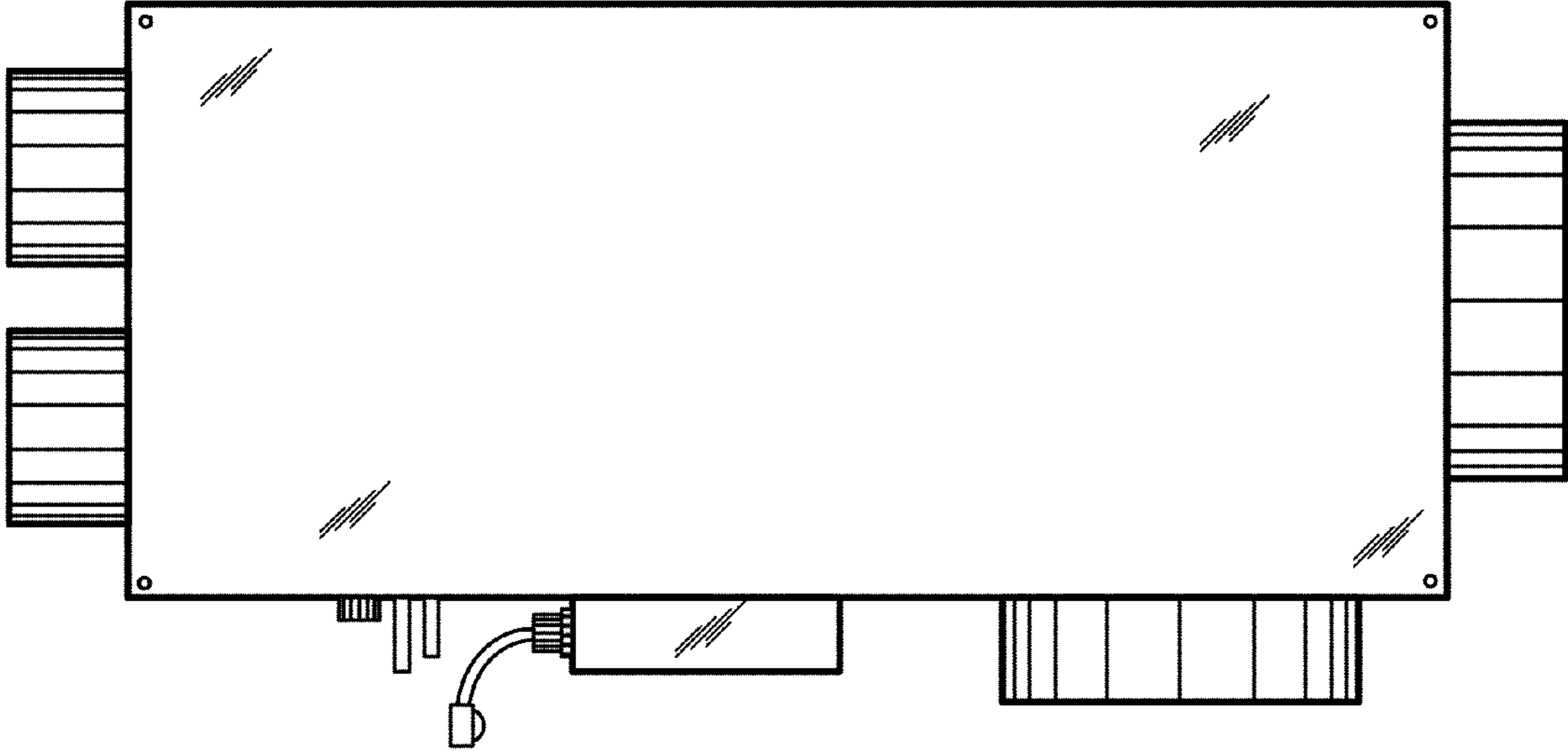


FIGURE 4

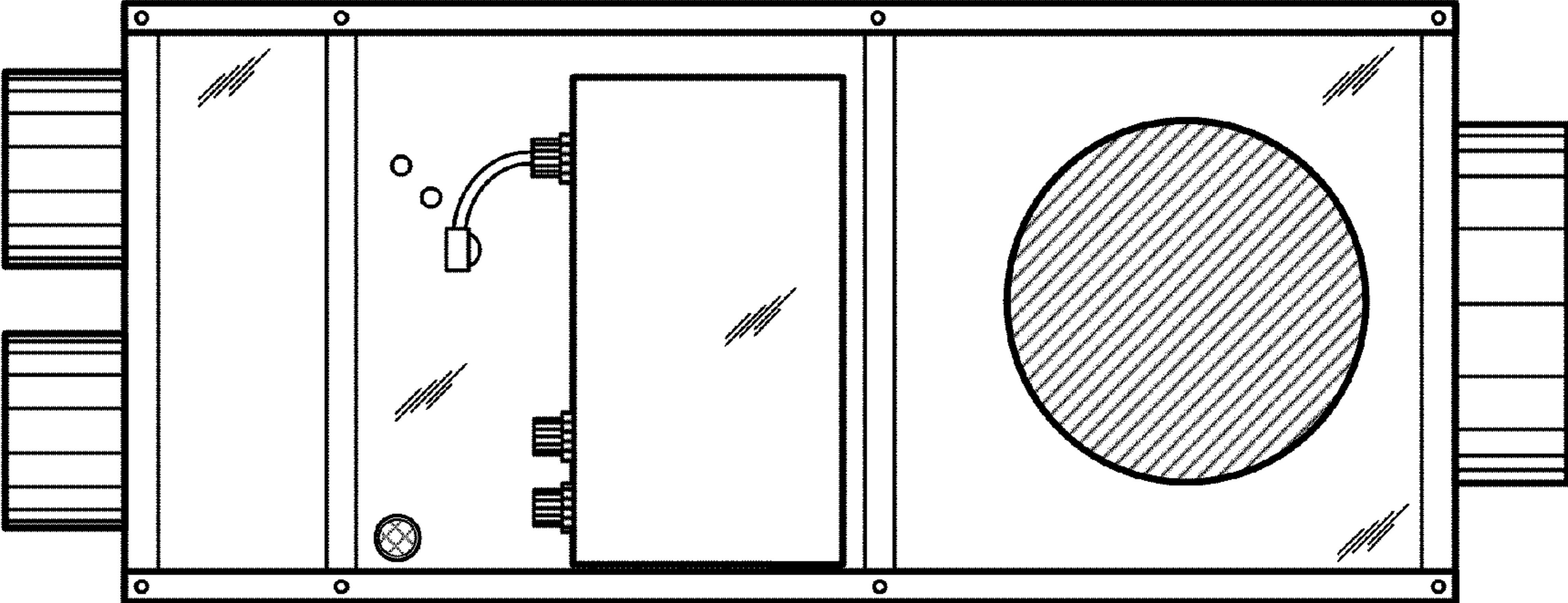


FIGURE 5

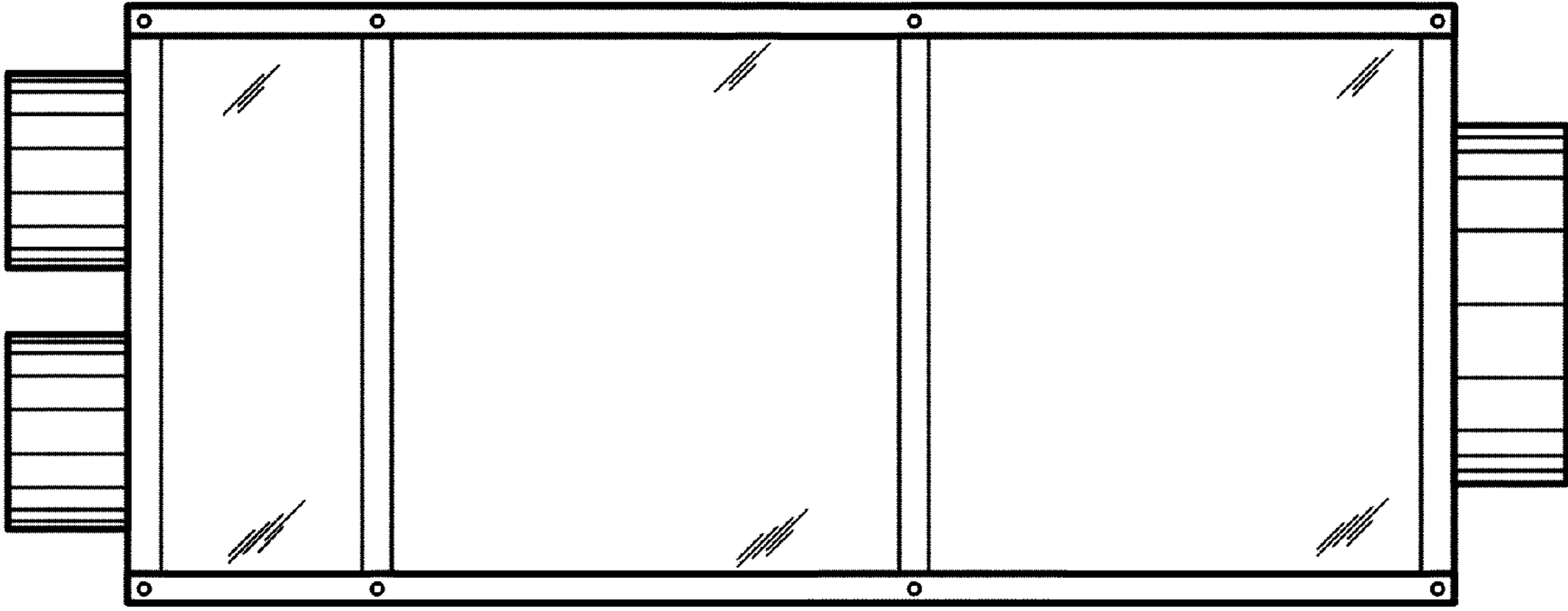


FIGURE 6