



US00D647838S

(12) **United States Design Patent**
Lohr et al.

(10) **Patent No.:** **US D647,838 S**

(45) **Date of Patent:** **** Nov. 1, 2011**

(54) **BICYCLE WHEEL HUB**

(75) Inventors: **Joshua G. Lohr**, Madison, WI (US);
Jeffery T. Iverson, Madison, WI (US);
Jesse Bartholomew, Madison, WI (US)

(73) Assignee: **Saris Cycling Group, Inc.**, Madison, WI (US)

(**) Term: **14 Years**

(21) Appl. No.: **29/393,395**

(22) Filed: **Jun. 3, 2011**

(51) **LOC (9) Cl.** **12-16**

(52) **U.S. Cl.** **D12/207**

(58) **Field of Classification Search** D12/204-213;
301/37.101, 64.101, 65, 64.201, 110.5-110.6,
301/59, 74

See application file for complete search history.

(56) **References Cited**

U.S. PATENT DOCUMENTS

D140,572 S *	3/1945	Roe	D12/207
D267,639 S *	1/1983	Moore	D12/207
D338,184 S *	8/1993	Ringle' et al.	D12/207
D340,888 S *	11/1993	Ringle et al.	D12/207

D365,310 S *	12/1995	Chen	D12/207
D381,310 S *	7/1997	Zemlicka et al.	D12/207
D440,533 S *	4/2001	Muraoka	D12/207
D528,492 S *	9/2006	Wu	D12/207
D539,718 S *	4/2007	Asano	D12/207
D545,748 S *	7/2007	Okada et al.	D12/207

* cited by examiner

Primary Examiner — Stacia Cadmus

(74) *Attorney, Agent, or Firm* — Boyle Fredrickson, s.c.

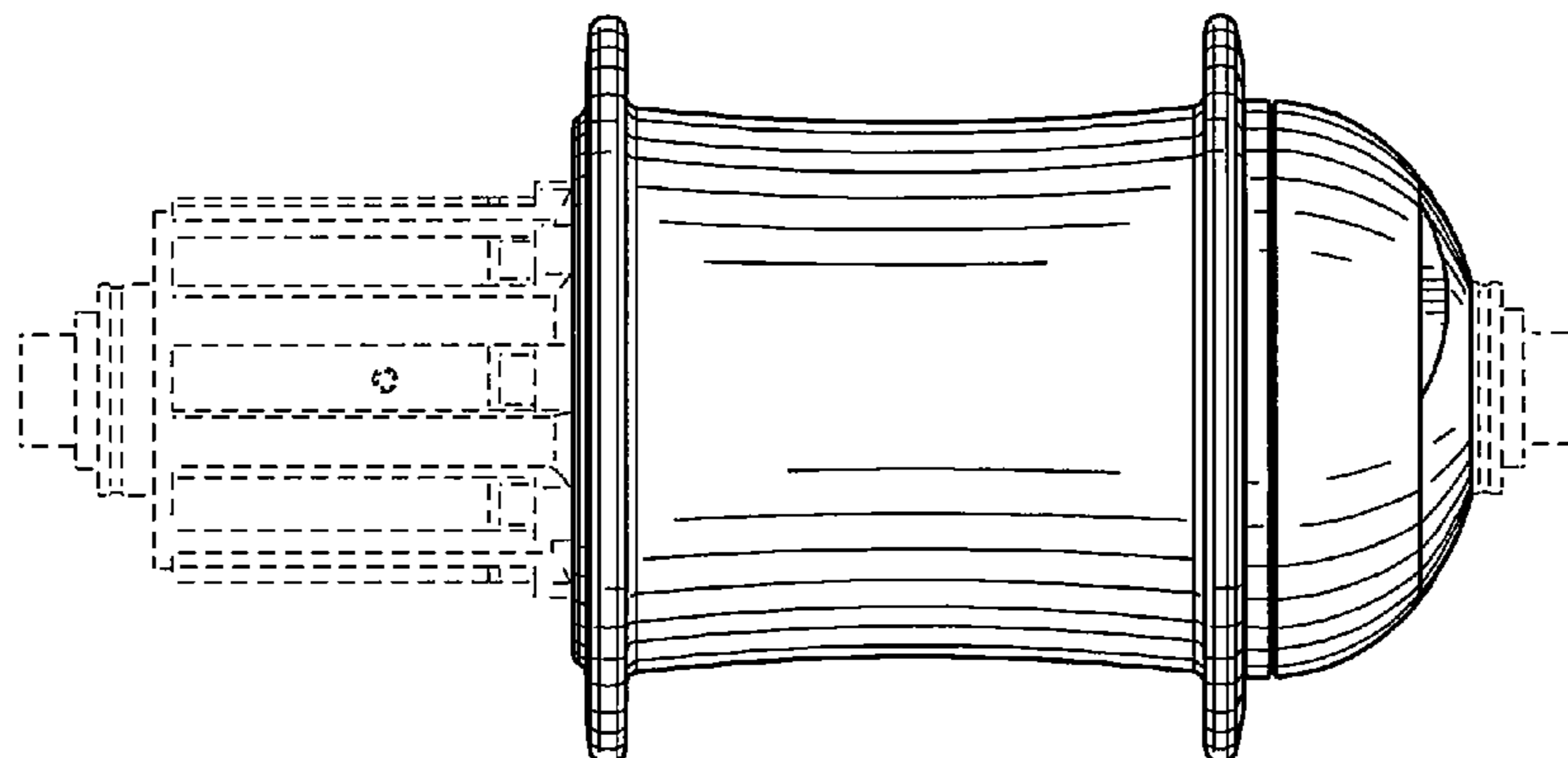
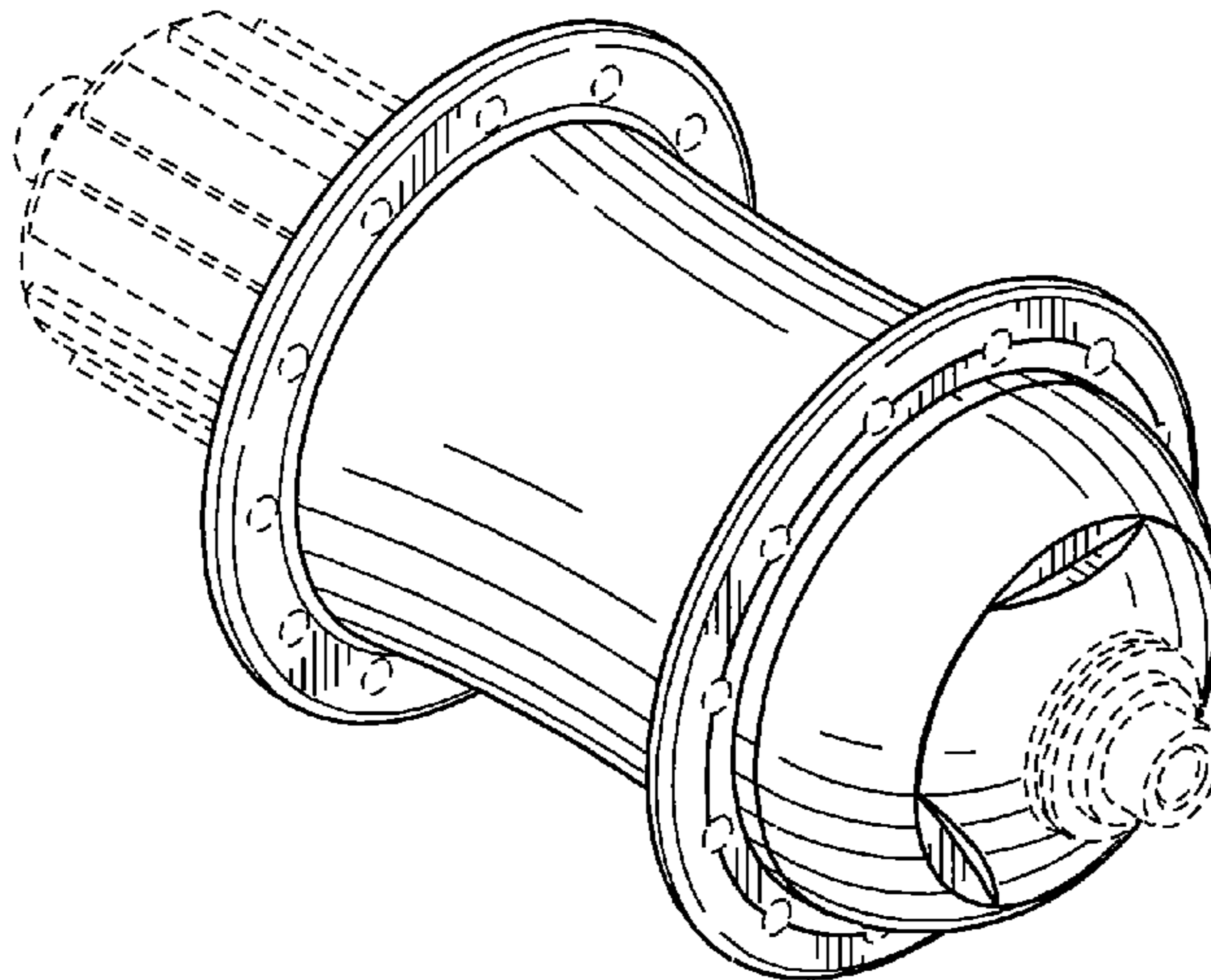
(57) **CLAIM**

The ornamental design of a bicycle wheel hub, as shown and described.

DESCRIPTION

FIG. 1 is an isometric view of a bicycle wheel hub incorporating our new design, wherein the portions in phantom form no part of the claimed design;
FIG. 2 is a front elevation view thereof;
FIG. 3 is a rear elevation view thereof;
FIG. 4 is a top plan view thereof;
FIG. 5 is a right end elevation view thereof;
FIG. 6 is a left end elevation view thereof; and,
FIG. 7 is a bottom plan view thereof.

1 Claim, 3 Drawing Sheets



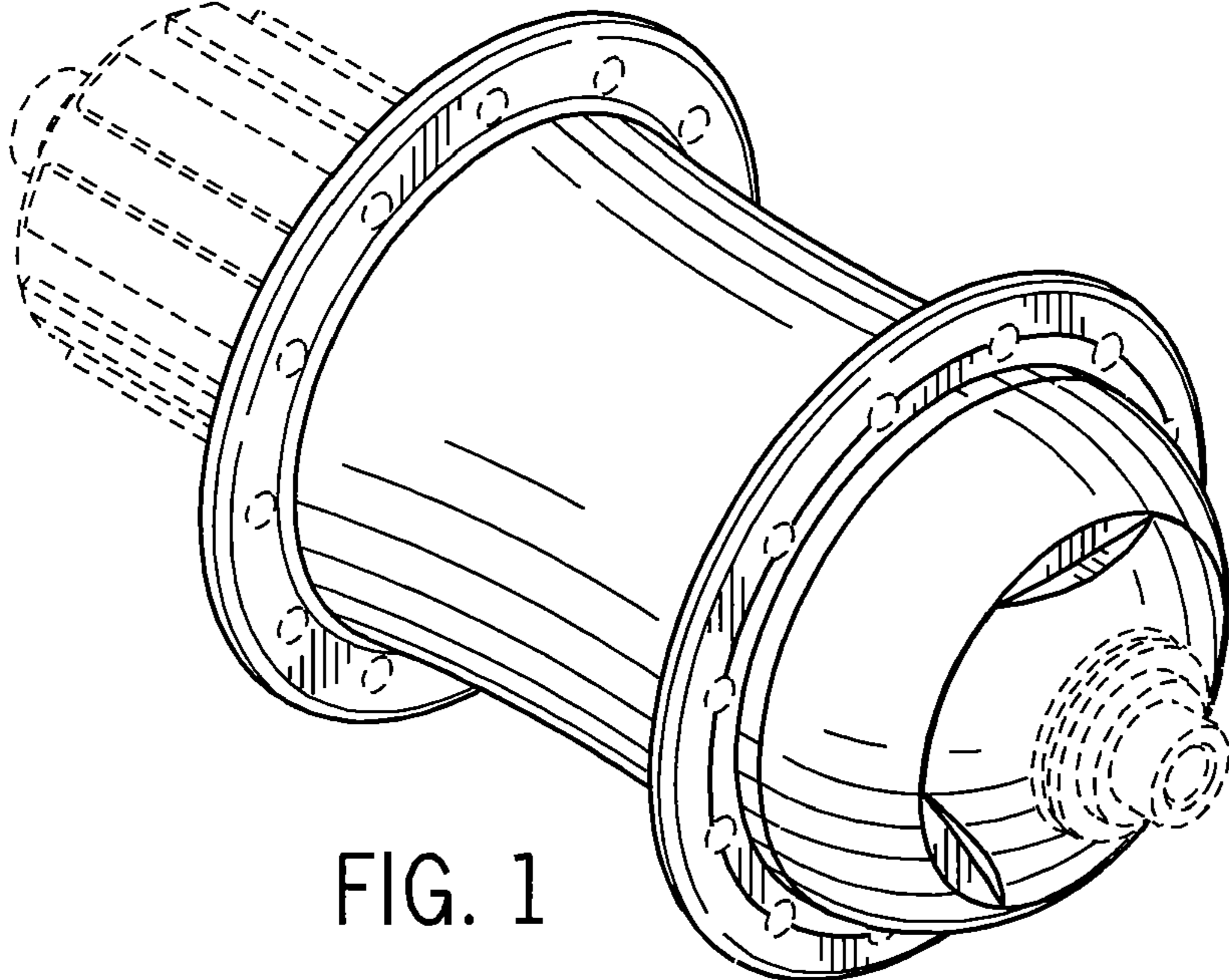


FIG. 1

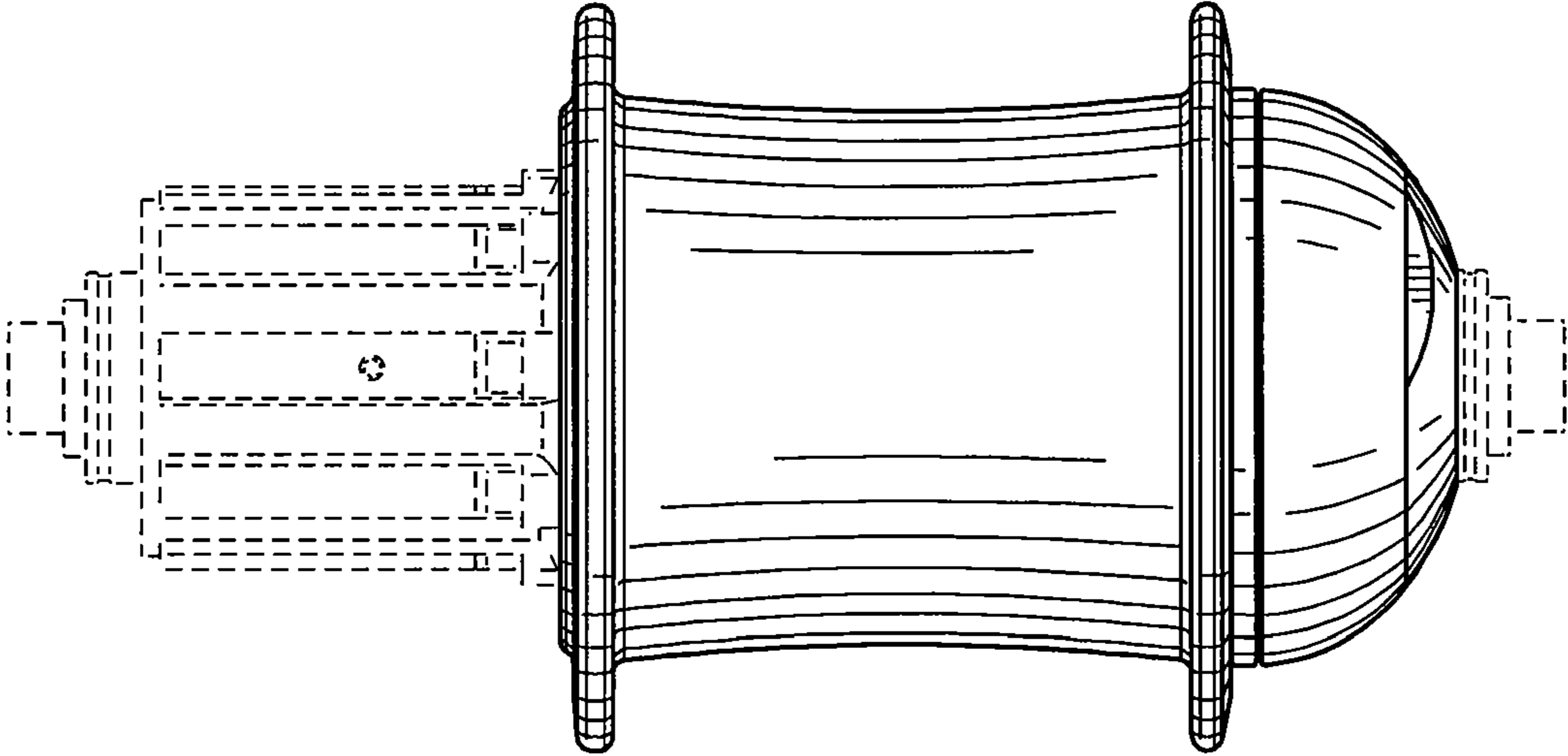


FIG. 2

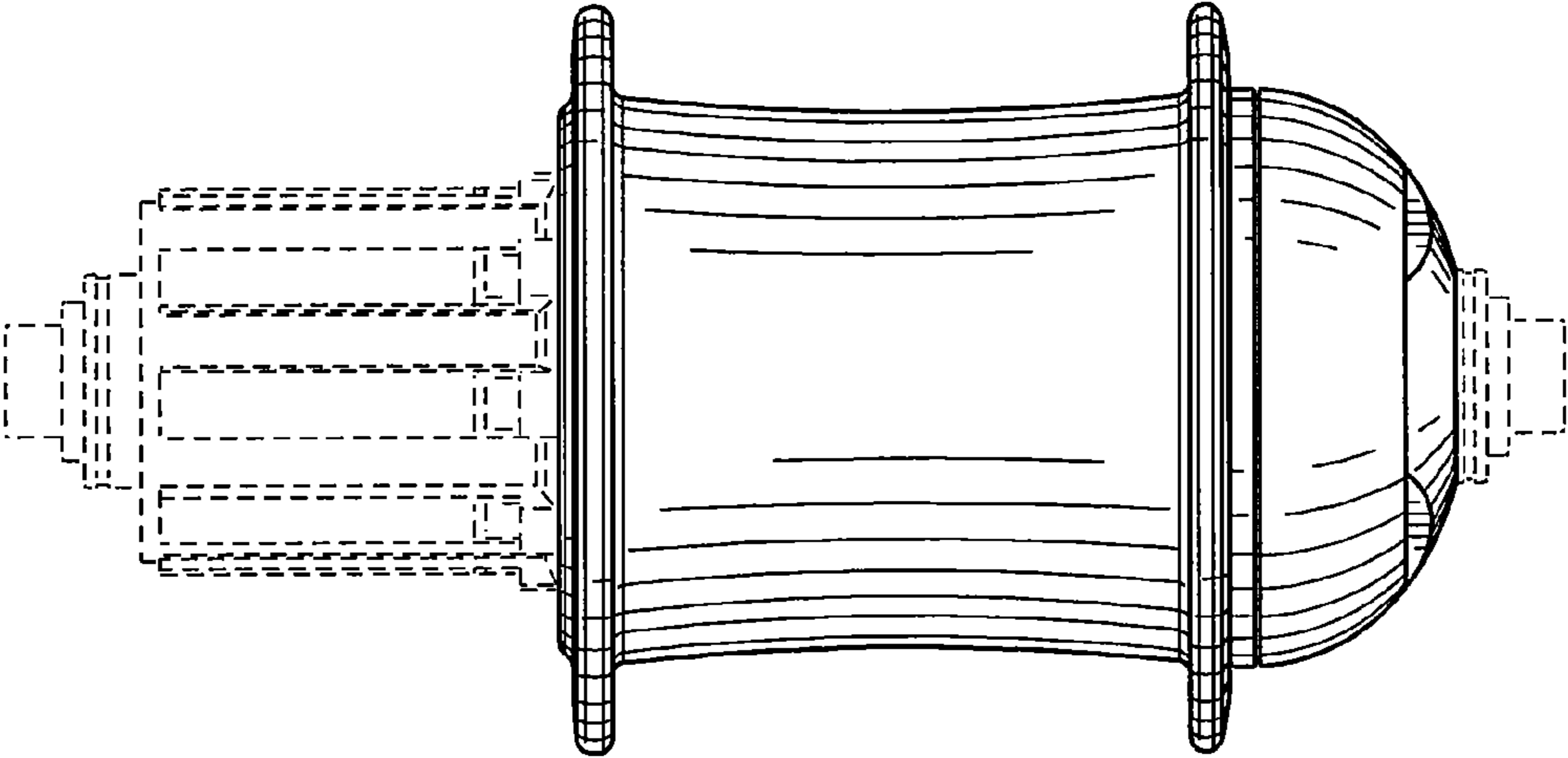


FIG. 3

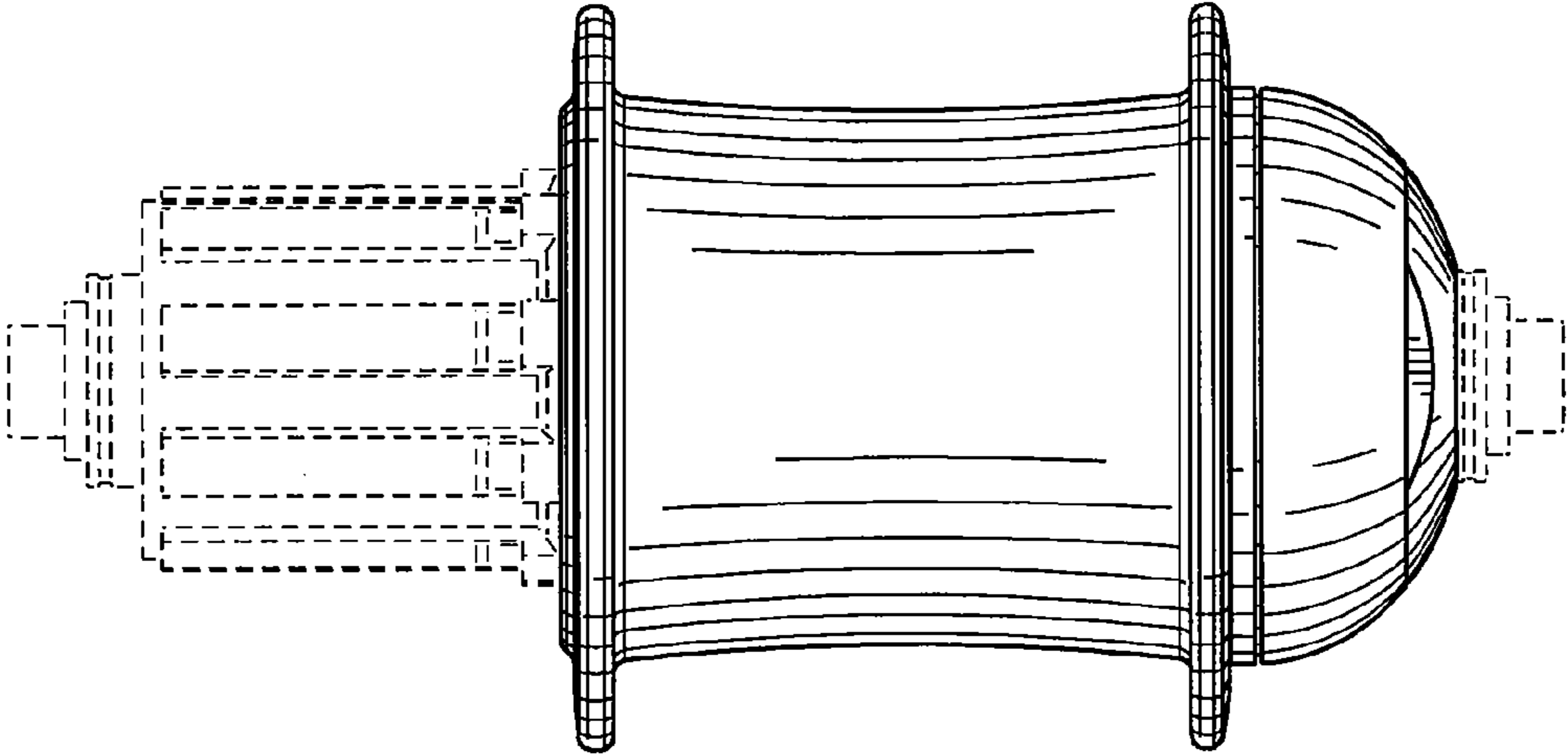


FIG. 4

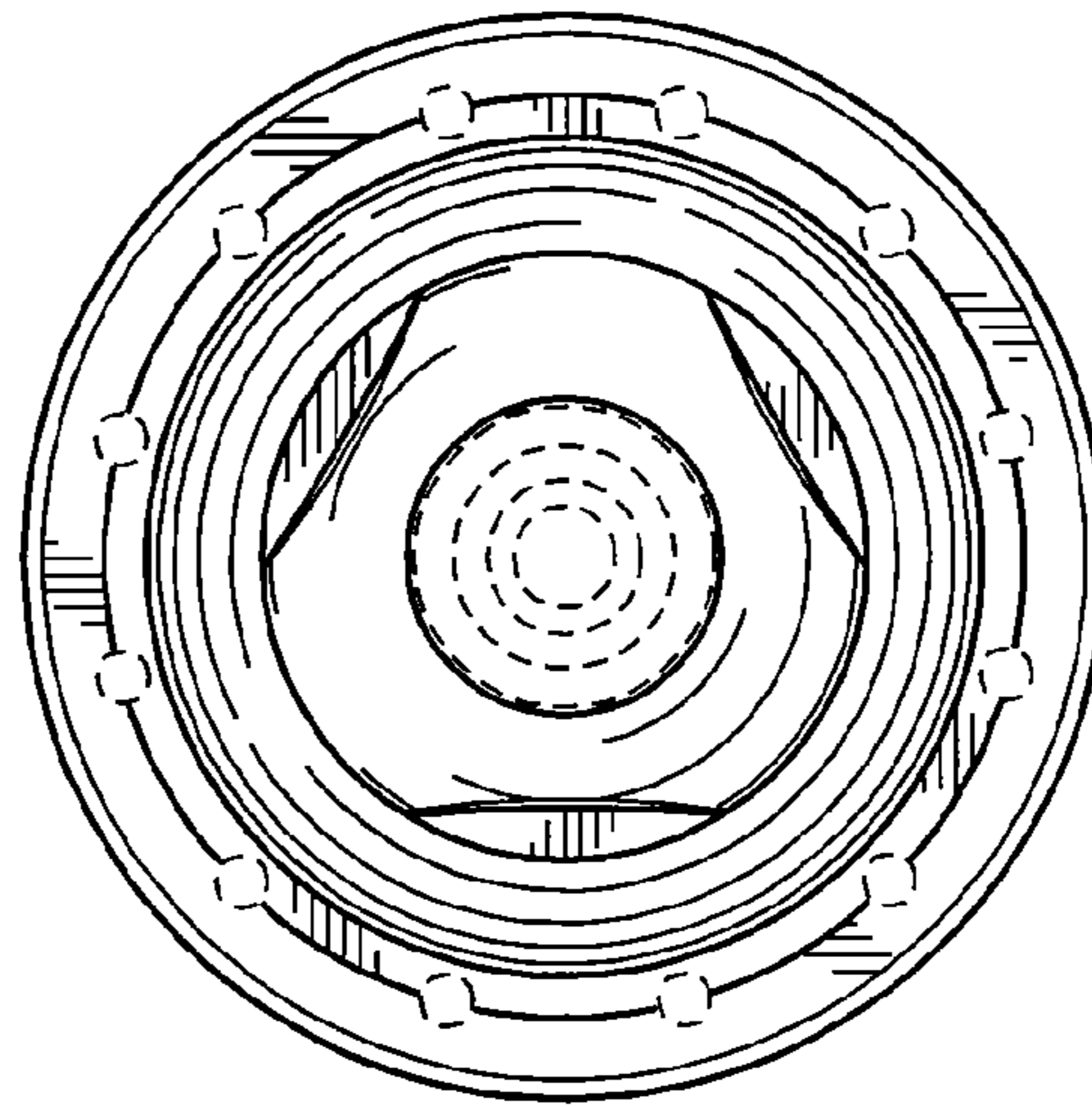


FIG. 6

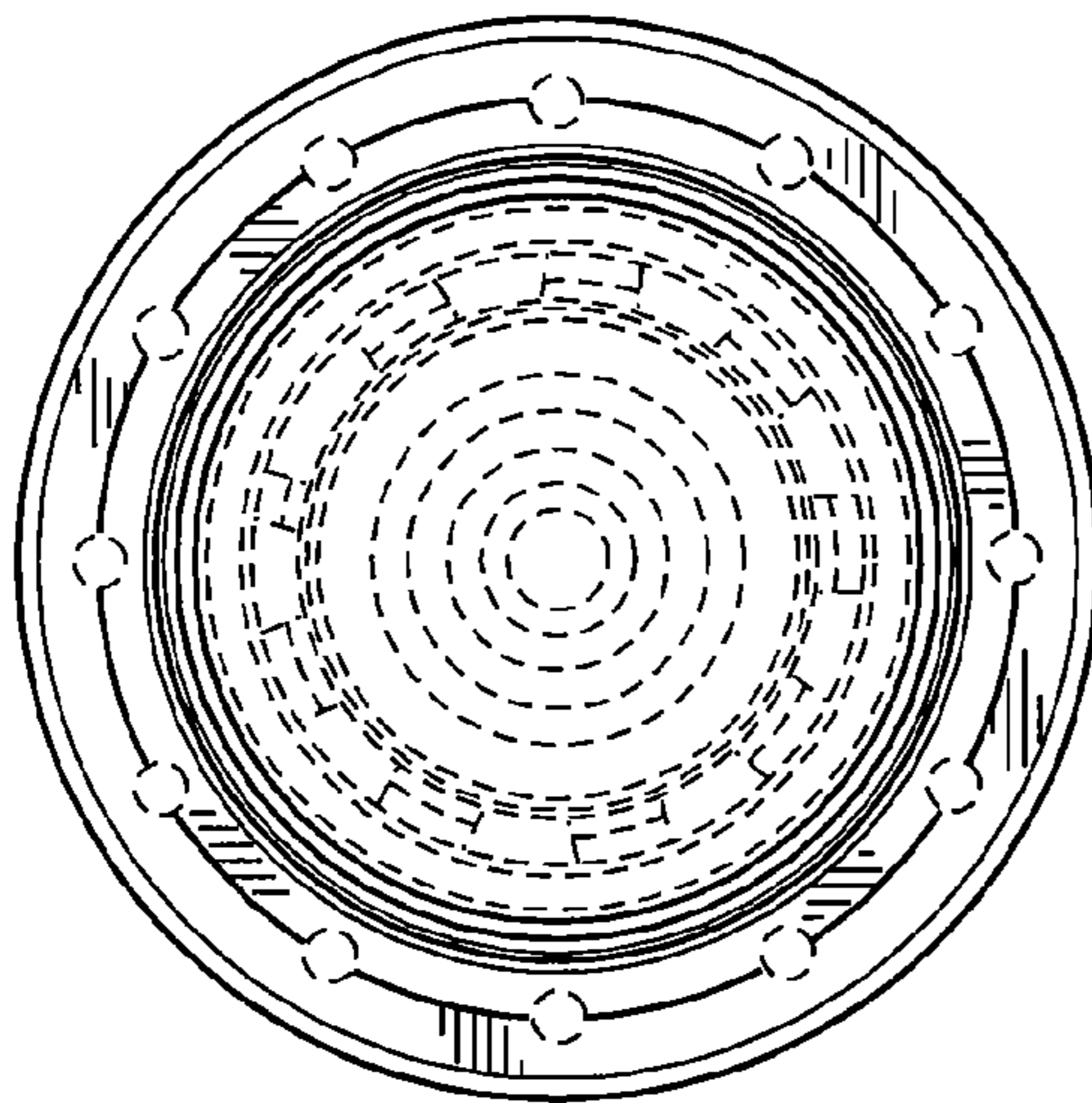


FIG. 5

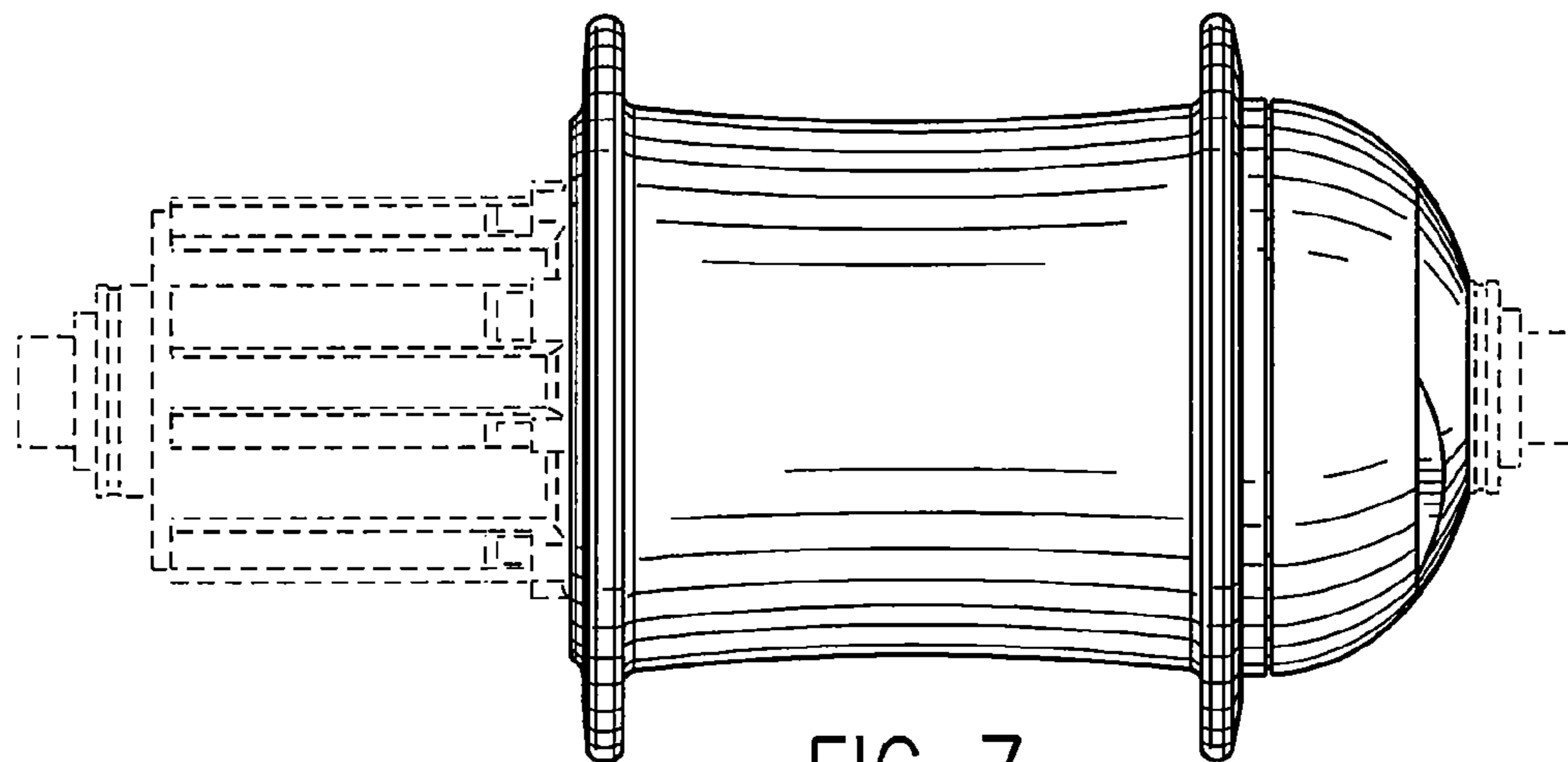


FIG. 7