



US00D647837S

(12) **United States Design Patent**
Kubo et al.

(10) **Patent No.:** **US D647,837 S**

(45) **Date of Patent:** **** Nov. 1, 2011**

(54) **DOOR FOR AN AUTOMOBILE**

(75) Inventors: **Kosuke Kubo**, Toyota (JP); **Satoshi Yokoi**, Kariya (JP)

(73) Assignee: **Toyota Jidosha Kabushiki Kaisha**, Toyota-shi (JP)

(**) Term: **14 Years**

(21) Appl. No.: **29/382,721**

(22) Filed: **Jan. 6, 2011**

(51) **LOC (9) Cl.** **12-16**

(52) **U.S. Cl.** **D12/196**

(58) **Field of Classification Search** D12/196,
D12/90-92, 86; 296/181.1, 181.5
See application file for complete search history.

(56) **References Cited**

U.S. PATENT DOCUMENTS

D573,522 S * 7/2008 Sato et al. D12/196
D580,332 S * 11/2008 Gueler et al. D12/196

D598,355 S * 8/2009 Sato et al. D12/196
D601,072 S * 9/2009 Giachin D12/196
D636,317 S * 4/2011 Matei et al. D12/196

* cited by examiner

Primary Examiner — Melody N Brown

(74) *Attorney, Agent, or Firm* — Finnegan, Henderson, Farabow, Garrett & Dunner, LLP

(57) **CLAIM**

The ornamental design for a door for an automobile, as shown and described.

DESCRIPTION

FIG. 1 is a front perspective view of a door for an automobile of our new design;

FIG. 2 is a rear perspective view thereof;

FIG. 3 is a top plan view thereof;

FIG. 4 is a bottom view thereof;

FIG. 5 is a left end view thereof;

FIG. 6 is a right end view thereof;

FIG. 7 is a front view thereof; and,

FIG. 8 is a rear view thereof.

Our design includes a mirror image of the embodiment depicted.

1 Claim, 6 Drawing Sheets



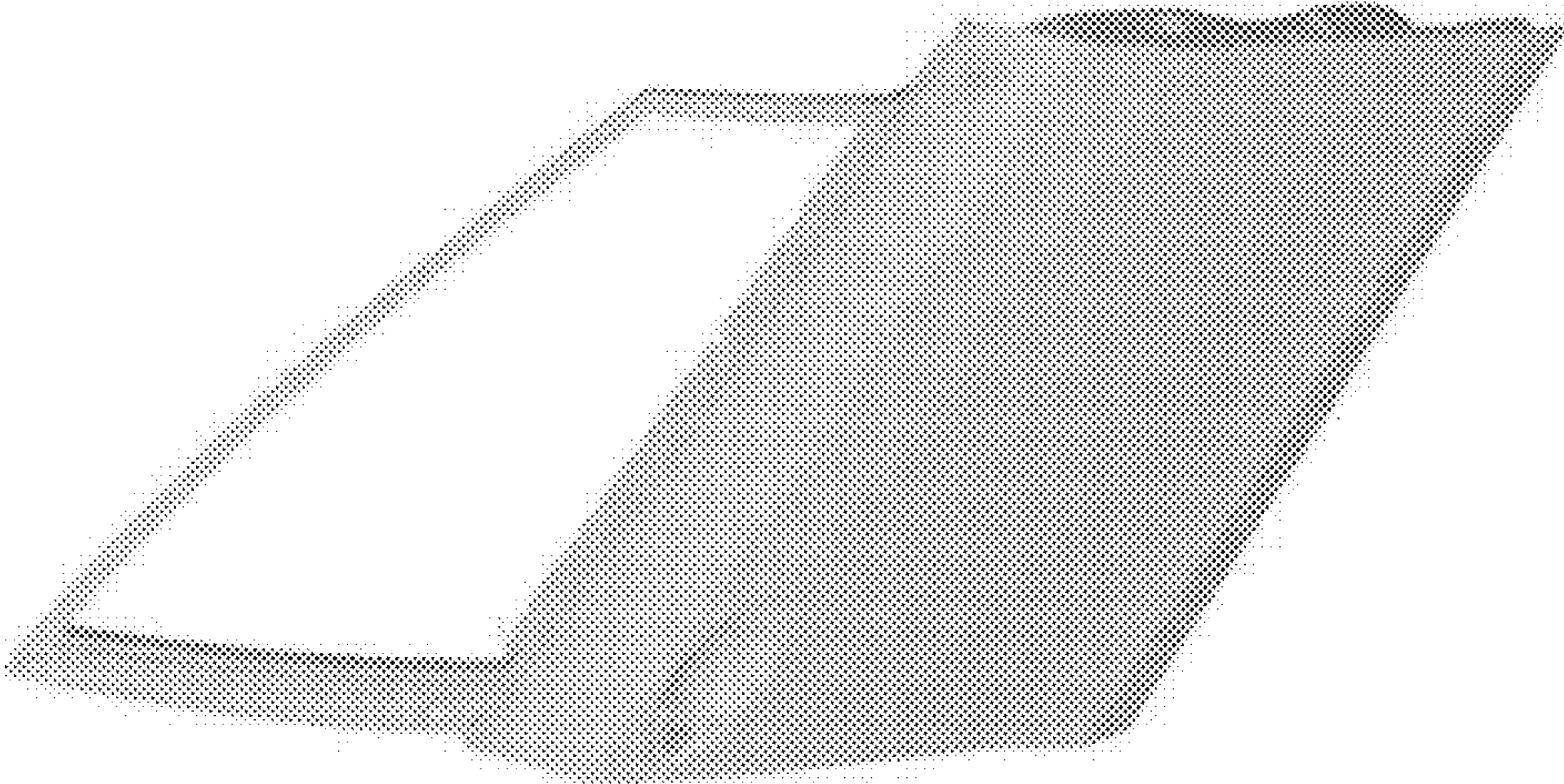


FIG. 1

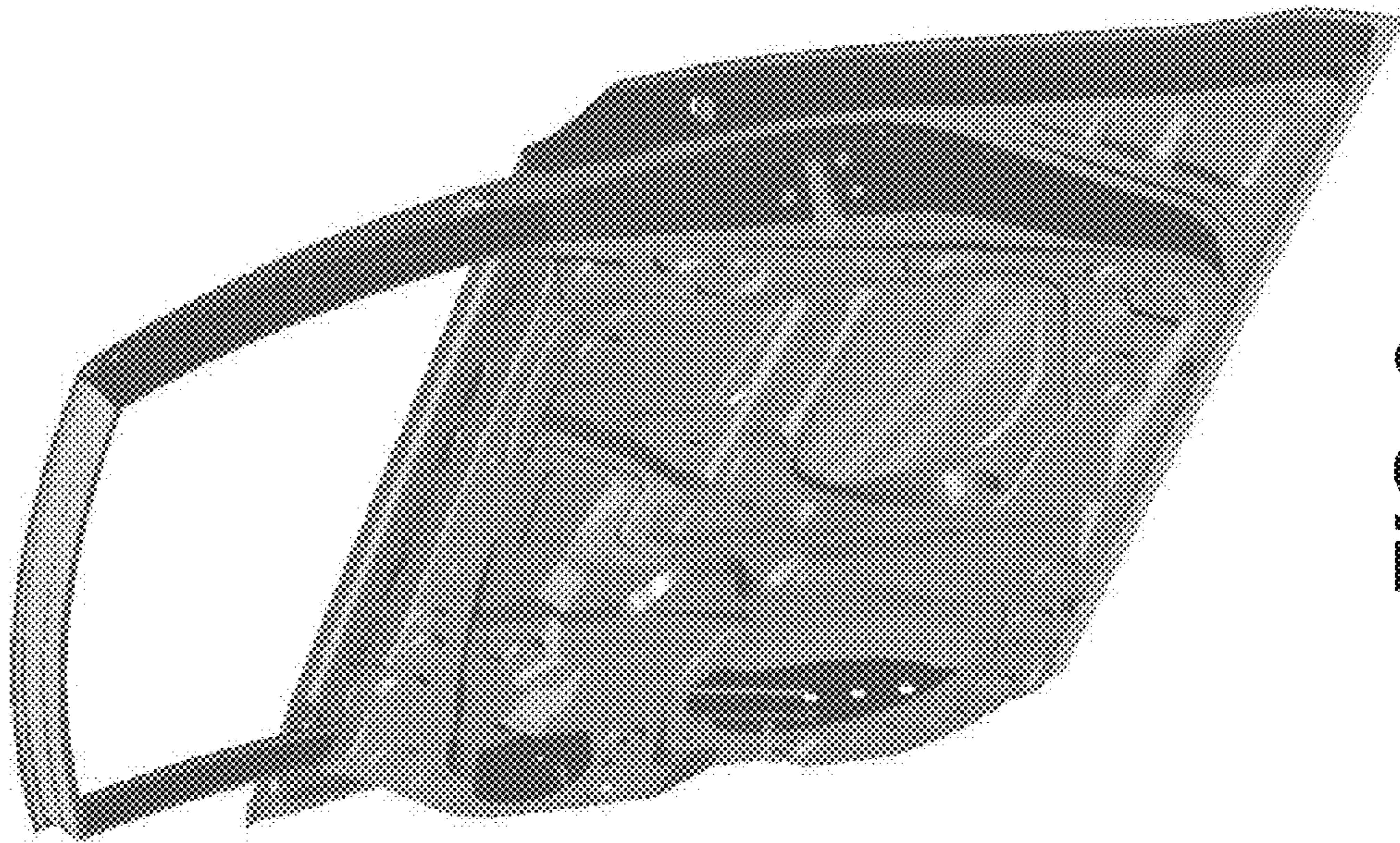


FIG. 2

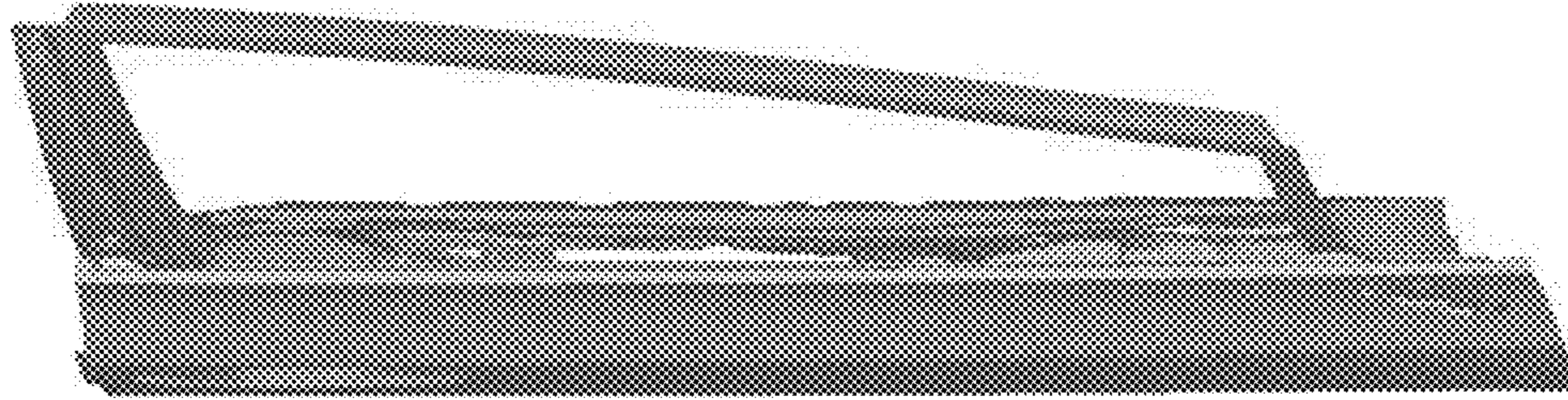


FIG. 3



FIG. 4

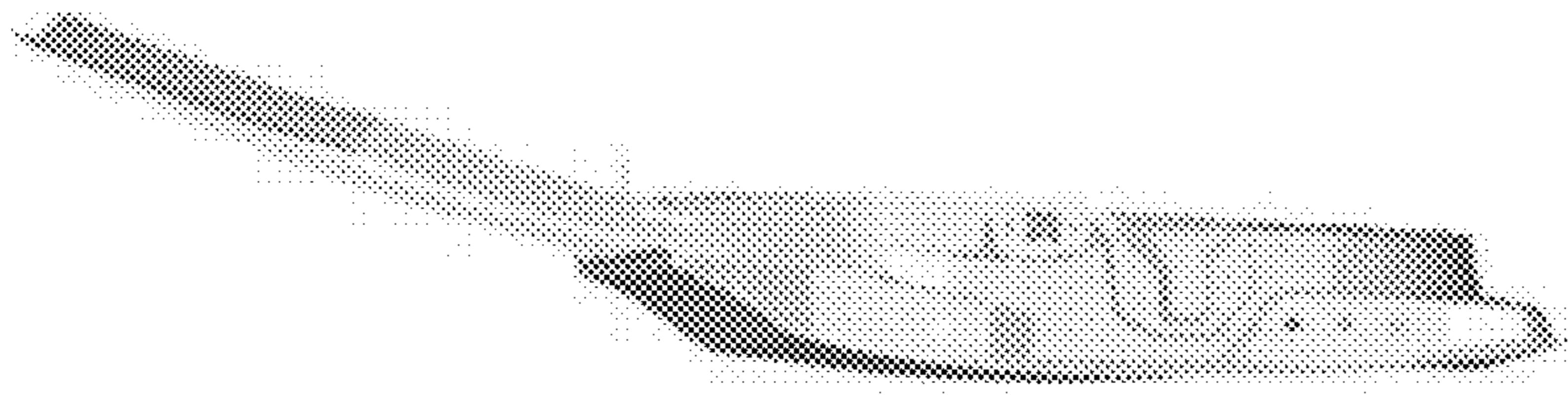


FIG. 6

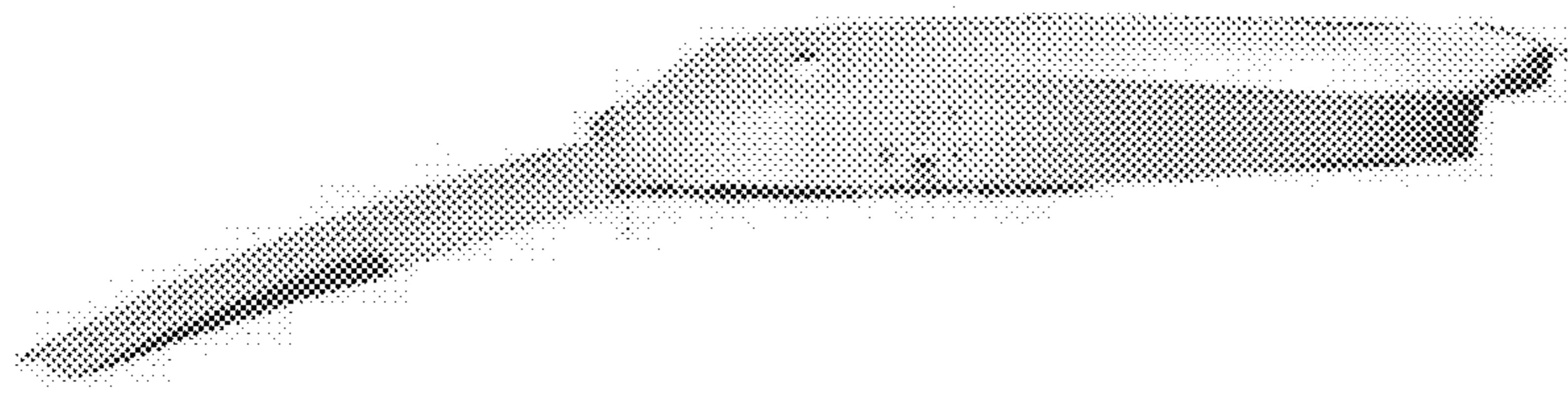


FIG. 5



FIG. 7

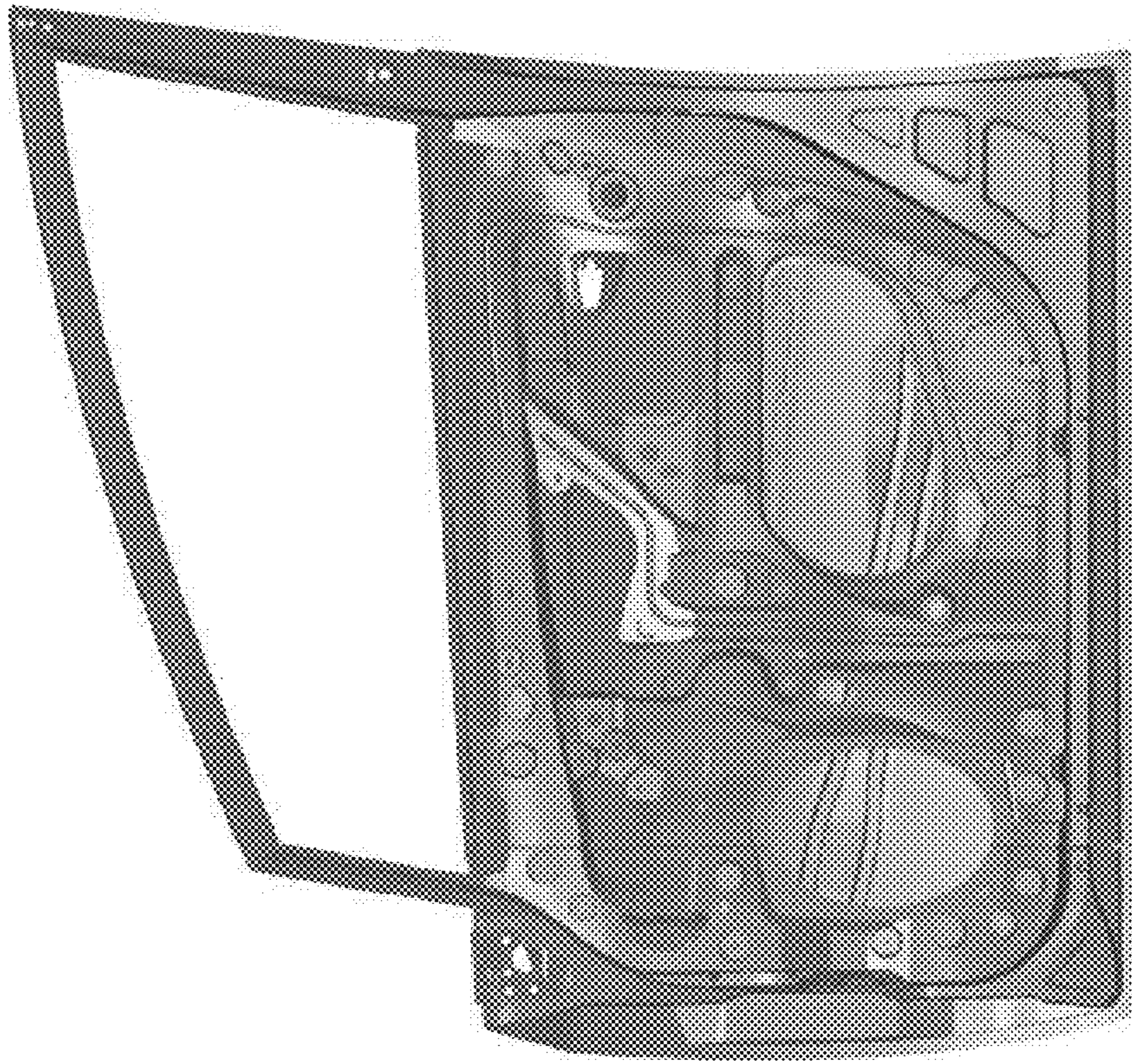


FIG. 8