



US00D647833S

(12) **United States Design Patent**
Matei et al.

(10) **Patent No.:** **US D647,833 S**

(45) **Date of Patent:** **** *Nov. 1, 2011**

(54) **VEHICLE SIDE SILL**

(56) **References Cited**

(75) Inventors: **Catalin Matei**, Redondo Beach, CA
(US); **Glenn Earl Simmons**, Torrance,
CA (US)

(73) Assignee: **Honda Motor Co., Ltd.**, Tokyo (JP)

(*) Notice: This patent is subject to a terminal dis-
claimer.

(**) Term: **14 Years**

(21) Appl. No.: **29/363,684**

(22) Filed: **Jun. 11, 2010**

Related U.S. Application Data

(63) Continuation-in-part of application No. 29/355,682,
filed on Feb. 11, 2010.

(51) **LOC (9) Cl.** **12-08**

(52) **U.S. Cl.** **D12/190**

(58) **Field of Classification Search** D12/190,
D12/181, 196, 400, 114, 86; 293/144, 102;
280/163, 164.1, 166, 169, 828, 848, 762,
280/153.5

See application file for complete search history.

U.S. PATENT DOCUMENTS

D297,230	S	*	8/1988	Huff	D12/203
D342,476	S	*	12/1993	Beckett	D12/203
D399,465	S	*	10/1998	Saleen	D12/190
D418,468	S	*	1/2000	Saleen et al.	D12/190
D472,861	S	*	4/2003	Saleen	D12/190
D484,080	S	*	12/2003	Yamamoto et al.	D12/190
D539,200	S	*	3/2007	Chan	D12/190
D598,830	S	*	8/2009	Stahel et al.	D12/190
D599,264	S	*	9/2009	Akasawa et al.	D12/181
D600,184	S	*	9/2009	Baum	D12/190
D617,255	S	*	6/2010	Tezak et al.	D12/400

* cited by examiner

Primary Examiner — Caron D Veynar

Assistant Examiner — Katrina A Kile

(74) *Attorney, Agent, or Firm* — Plumsea Law Group, LLC;
Mark E. Duell

(57) **CLAIM**

The ornamental design for a vehicle side sill, as shown and
described.

DESCRIPTION

FIG. 1 is a perspective view of a vehicle side sill showing our
new design;

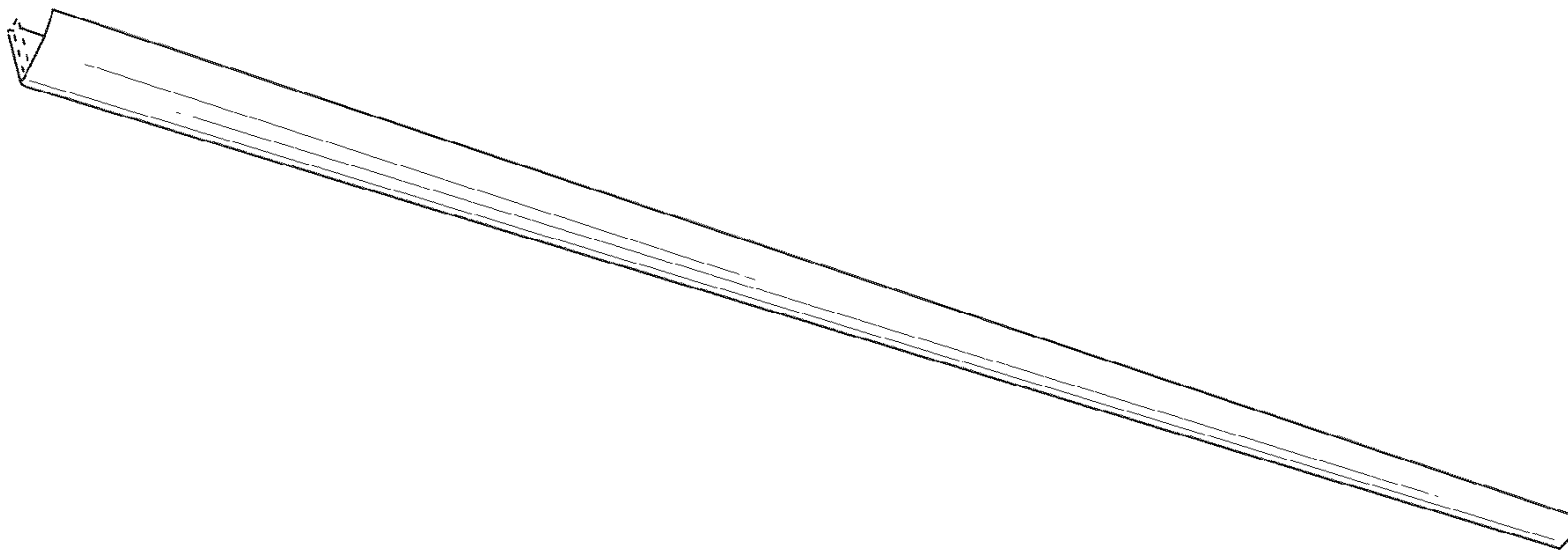
FIG. 2 is an end elevational view thereof, depicted from the
left end of FIGS. 1 and 3;

FIG. 3 is a side elevational view thereof; and,

FIG. 4 is a top plan view thereof.

The broken line showings of an interior surface in FIG. 2 form
no part of the claimed design.

1 Claim, 1 Drawing Sheet



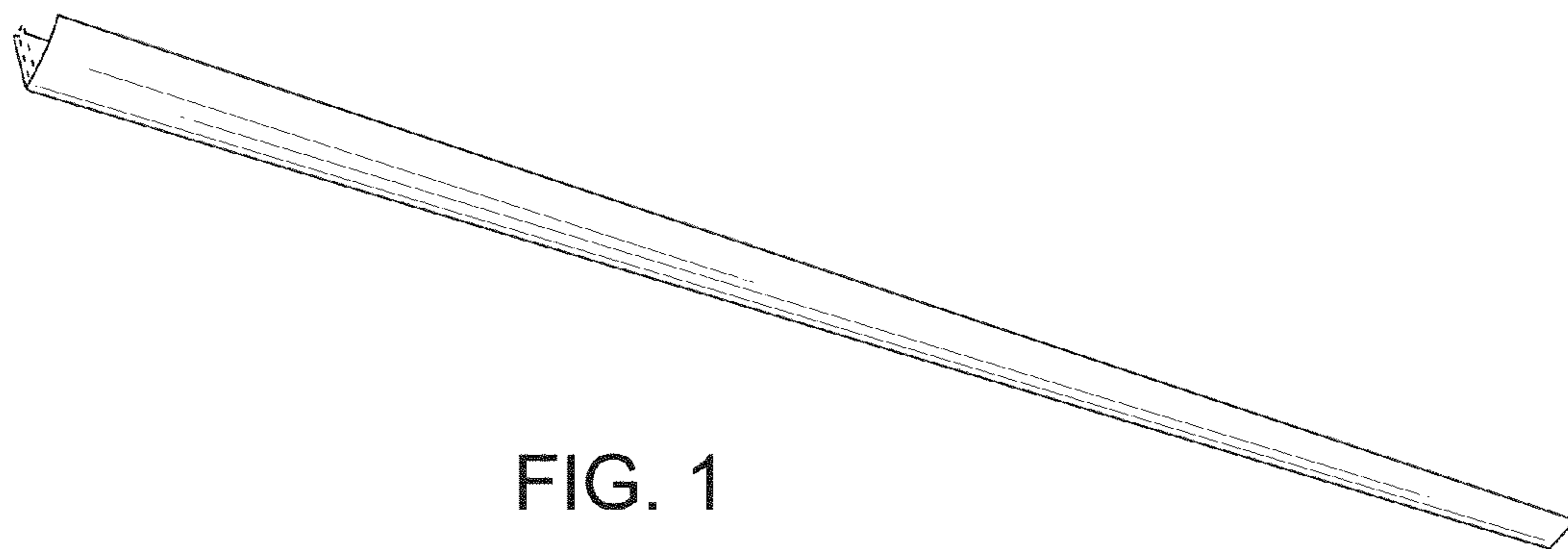


FIG. 1

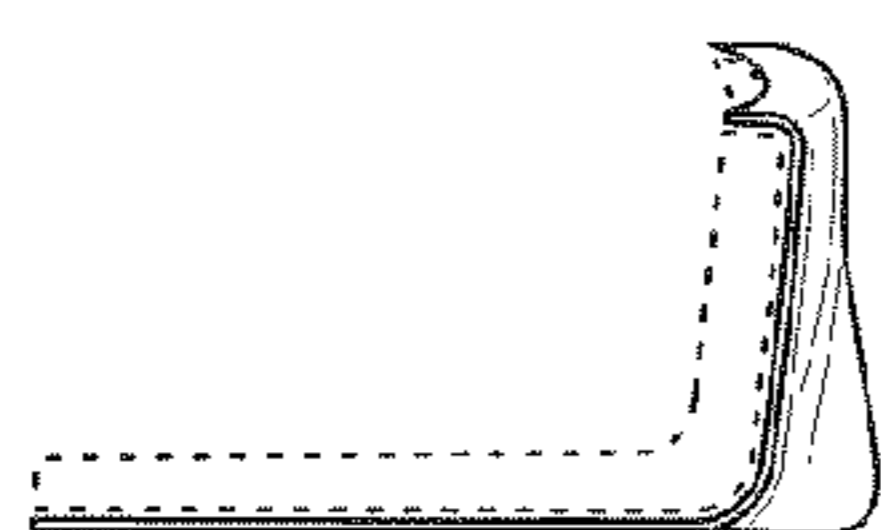


FIG. 2



FIG. 3

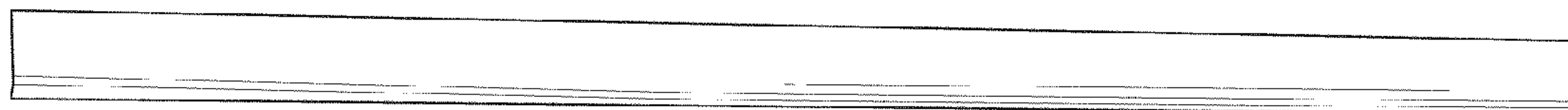


FIG. 4