



US00D647826S

(12) **United States Design Patent**  
**Goettker**

(10) **Patent No.:** **US D647,826 S**

(45) **Date of Patent:** **\*\* Nov. 1, 2011**

(54) **TRAILER COUPLER WITH A LATCH ASSEMBLY**

(76) **Inventor:** **Bernhardt P. Goettker**, Valley Center, CA (US)

(\*\*) **Term:** **14 Years**

(21) **Appl. No.:** **29/359,006**

(22) **Filed:** **Apr. 3, 2010**

(51) **LOC (9) Cl.** ..... **12-16**

(52) **U.S. Cl.** ..... **D12/162**

(58) **Field of Classification Search** ..... D12/162,  
D12/400; 280/504-507, 511, 495, 491.3;  
293/117; 150/166

See application file for complete search history.

(56) **References Cited**

**U.S. PATENT DOCUMENTS**

D305,319	S	*	1/1990	Goettker	.....	D12/162
5,013,059	A	*	5/1991	Goettker	.....	280/446.1
D318,038	S	*	7/1991	Goettker	.....	D12/162
D320,777	S	*	10/1991	Goettker	.....	D12/162
D345,954	S	*	4/1994	Wallace et al.	.....	D12/162
D377,468	S	*	1/1997	Gallagher	.....	D12/159
D415,117	S	*	10/1999	Belinky et al.	.....	D13/184
6,505,849	B1		1/2003	Ebey		
6,595,540	B1		7/2003	MacKarvich		
6,869,095	B2		3/2005	Roll		

D509,776	S	*	9/2005	Stettler	.....	D12/162
7,007,967	B2		3/2006	Goettker		
D540,222	S	*	4/2007	Goettker	.....	D12/162
2009/0033062	A1		2/2009	Goettker		
2009/0115166	A1		5/2009	Goettker		
2010/0101060	A1*		4/2010	Walega et al.	.....	24/603

\* cited by examiner

*Primary Examiner* — Celia A. Murphy

*Assistant Examiner* — John Windmuller

(74) *Attorney, Agent, or Firm* — Rodney F. Brown

(57) **CLAIM**

The ornamental design for the trailer coupler with a latch assembly, as shown.

**DESCRIPTION**

FIG. 1 is a front perspective view of a trailer coupler with a latch assembly showing my design;

FIG. 2 is a front elevational view thereof;

FIG. 3 is a back elevational view thereof.

FIG. 4 is a top plan view thereof;

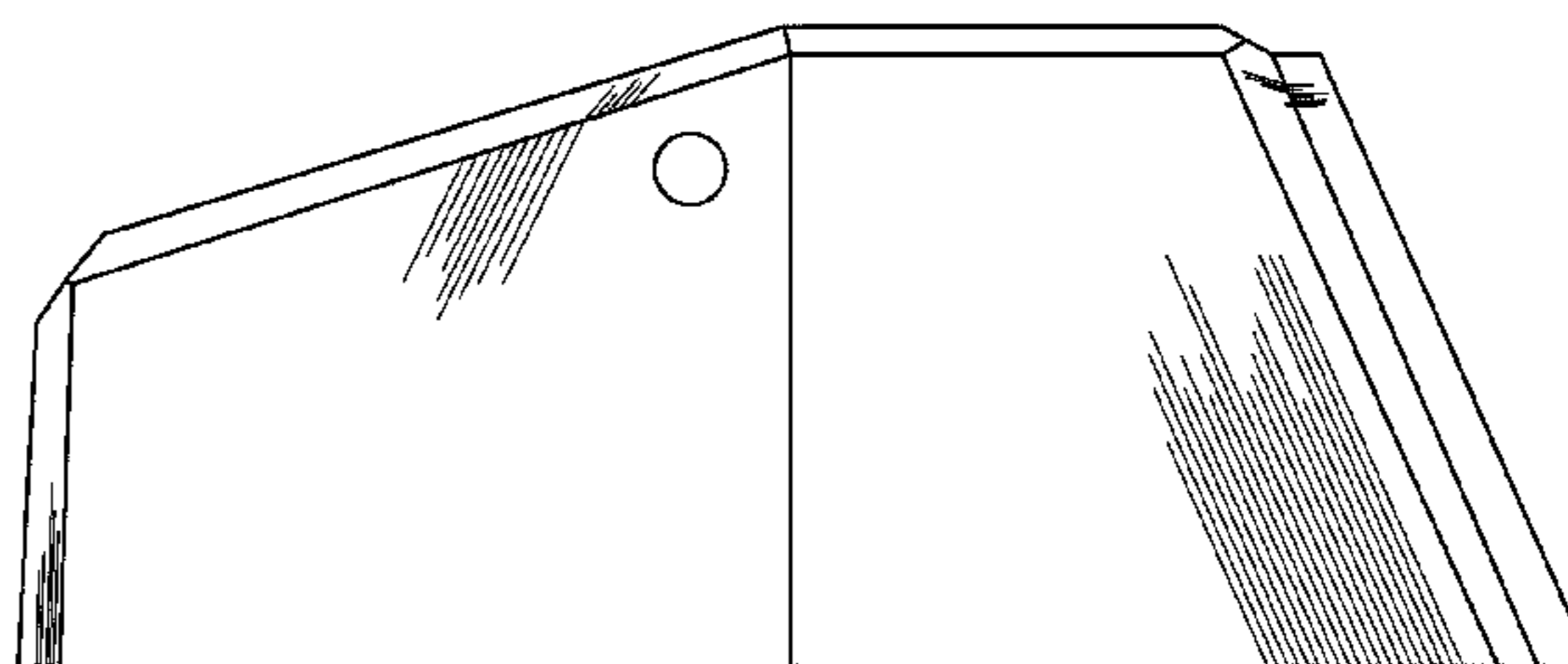
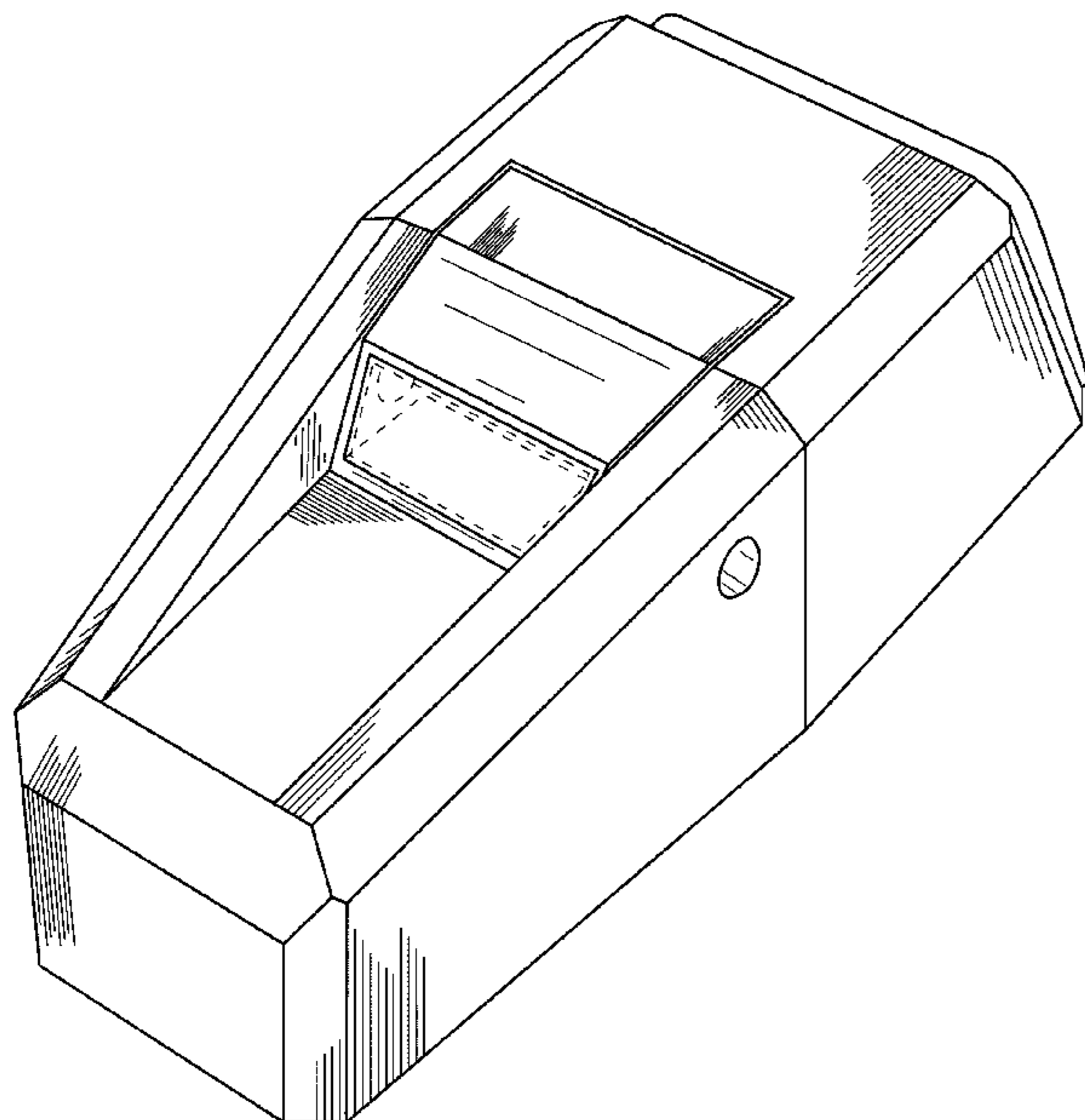
FIG. 5 is a bottom plan view thereof;

FIG. 6 is an elevational view of one side thereof; and,

FIG. 7 is an elevational view of the opposite side thereof.

The portions of the trailer coupler shown in broken lines in FIGS. 1-5 form no part of the claimed design.

**1 Claim, 4 Drawing Sheets**



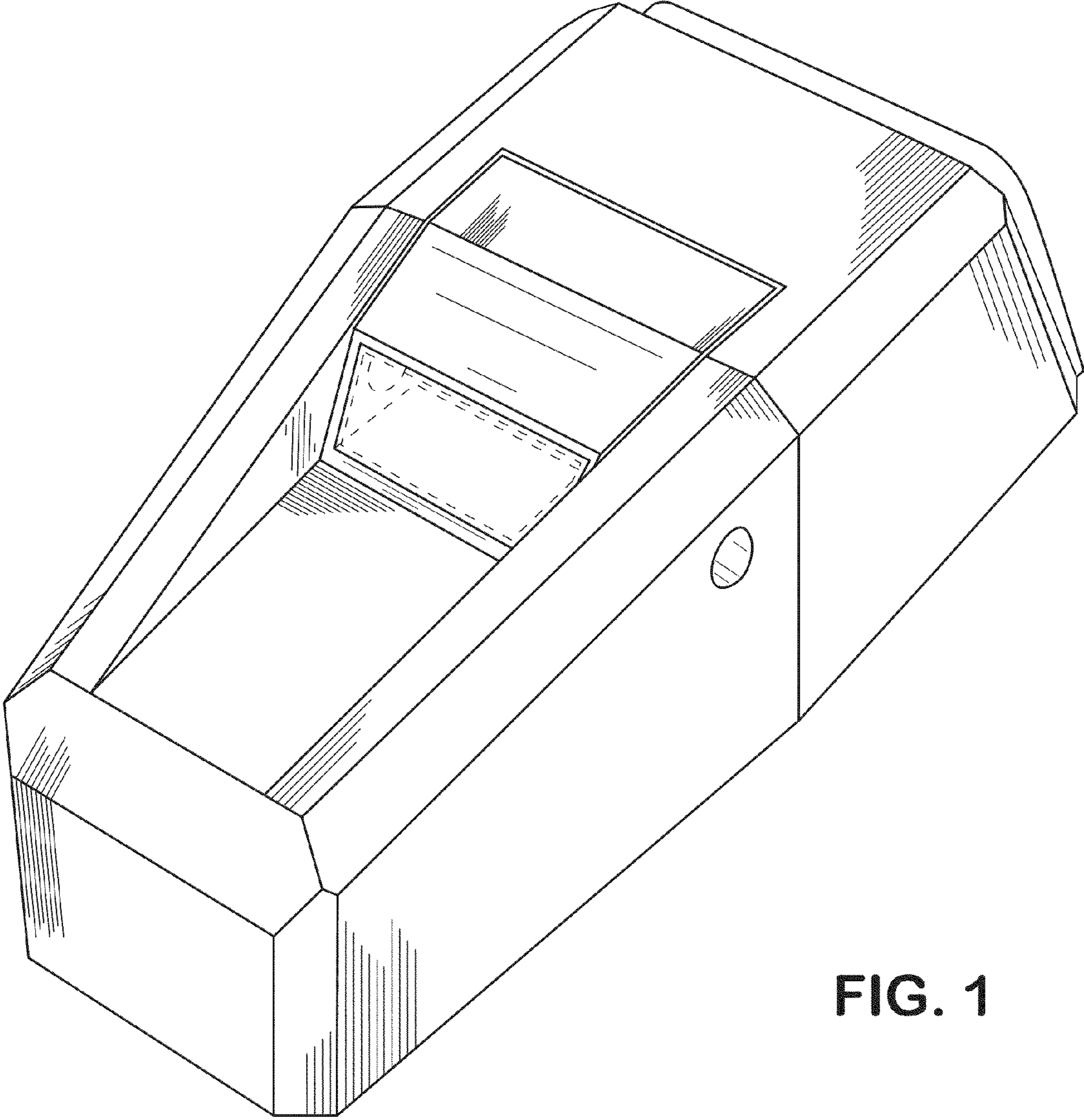


FIG. 1

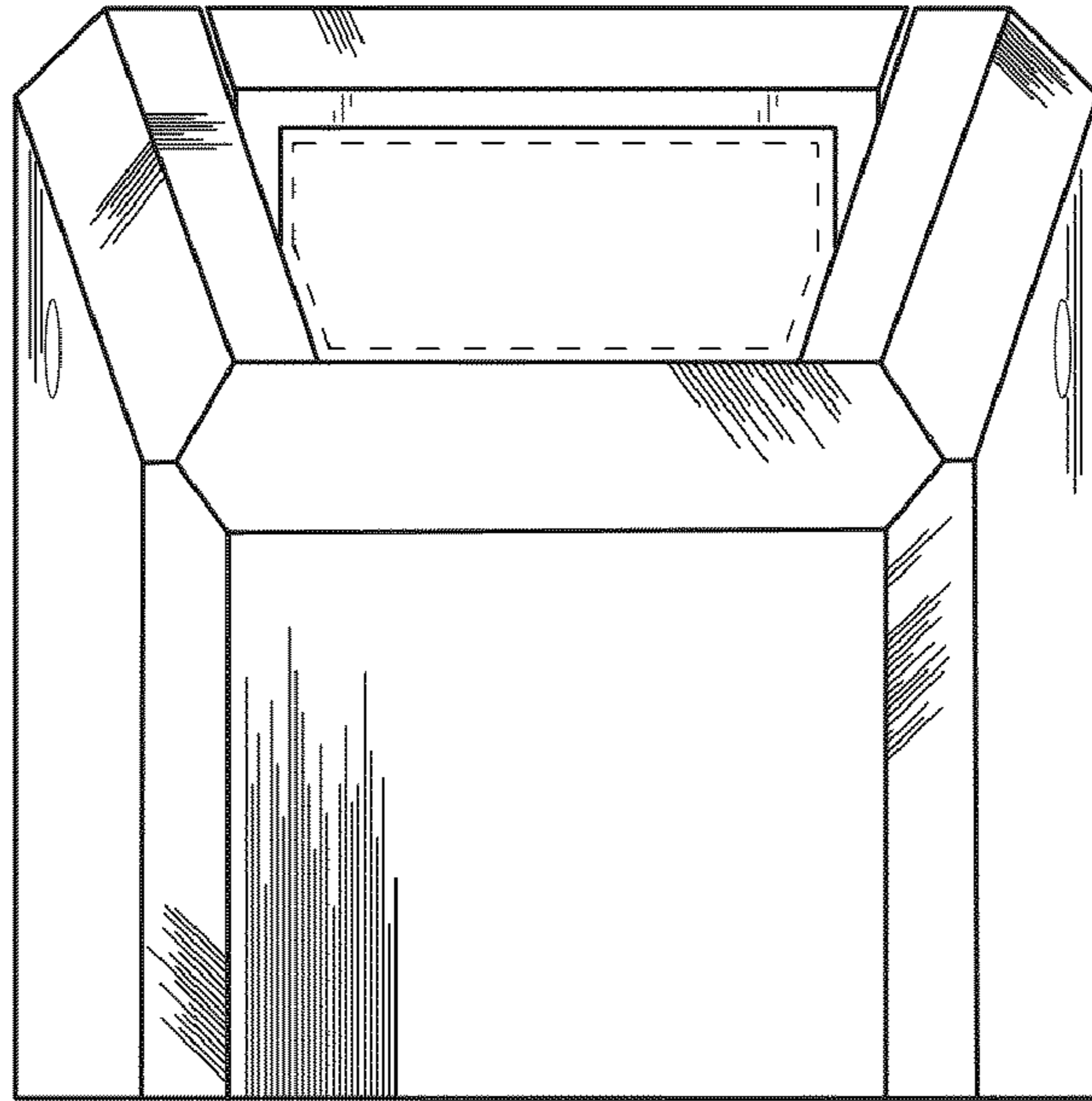


FIG. 2

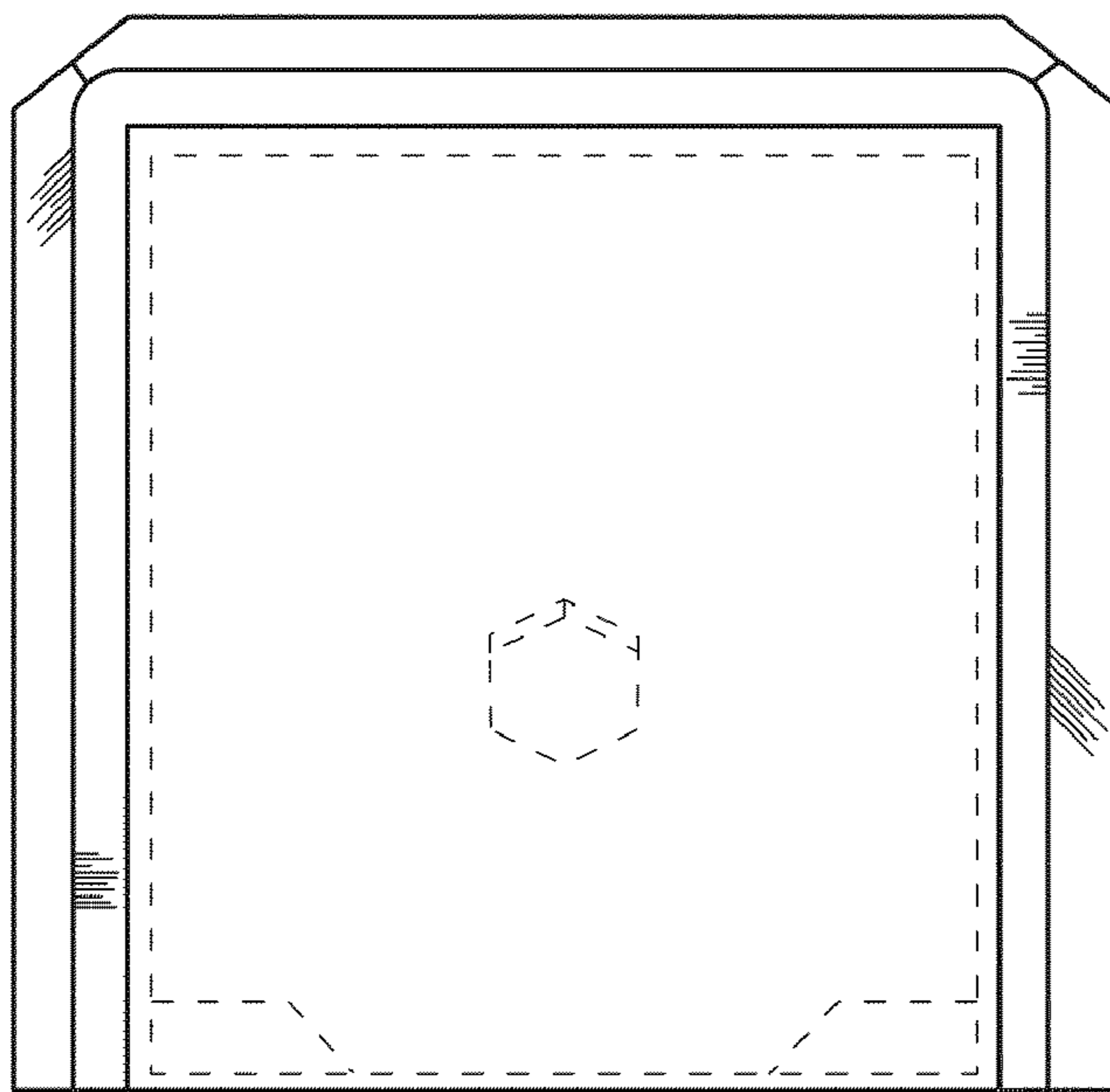


FIG. 3

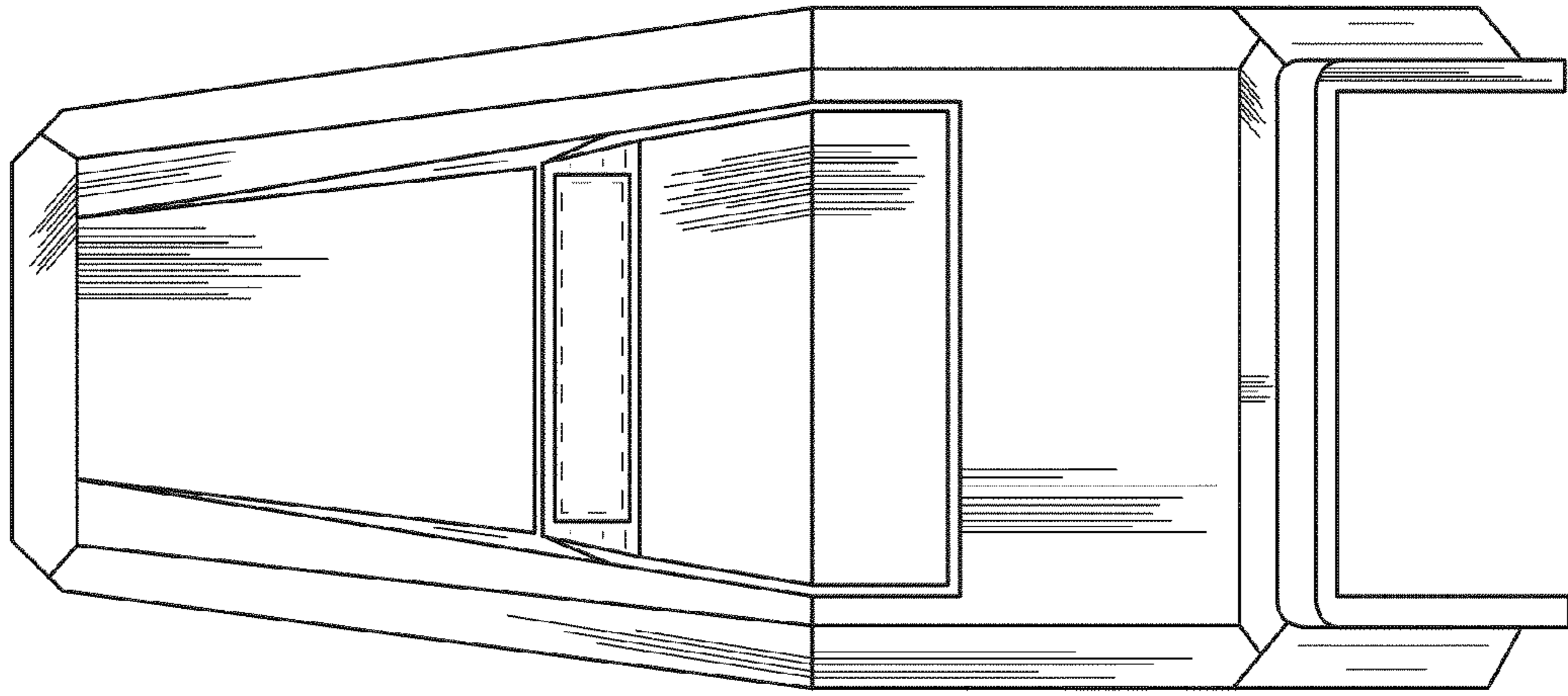


FIG. 4

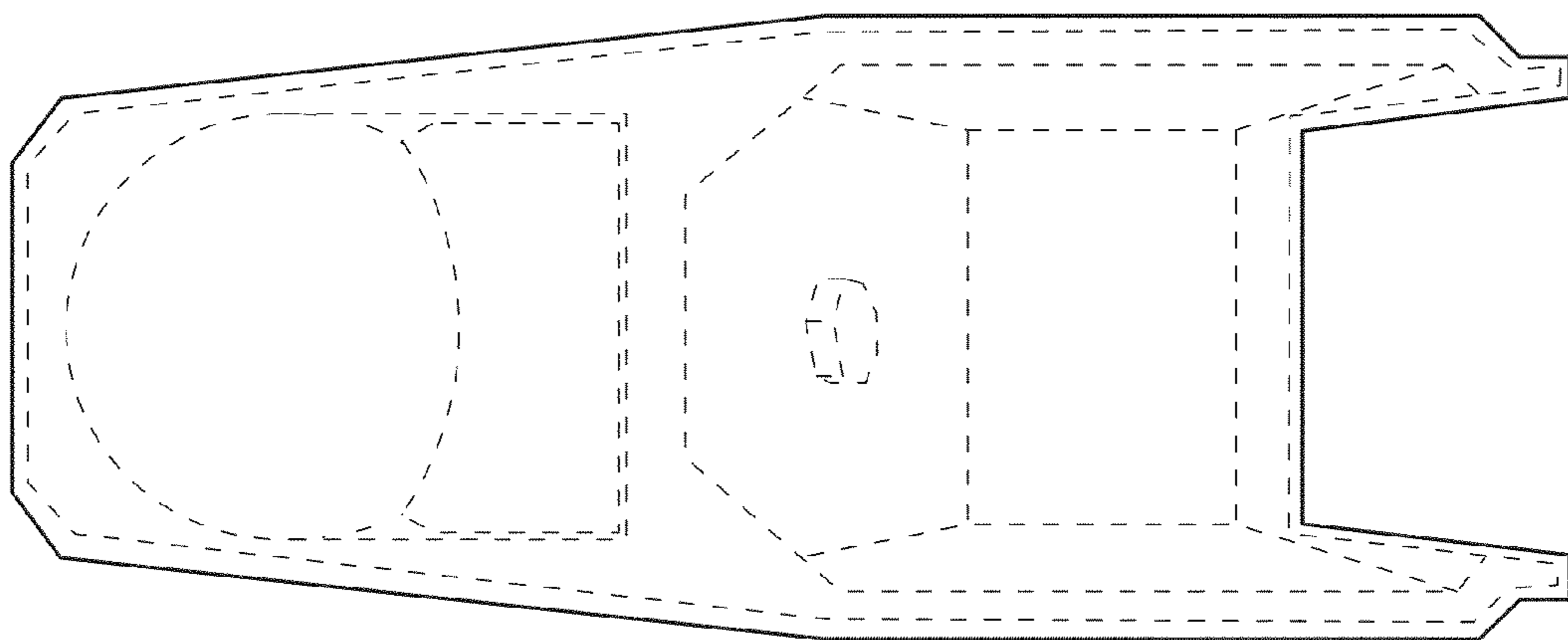


FIG. 5

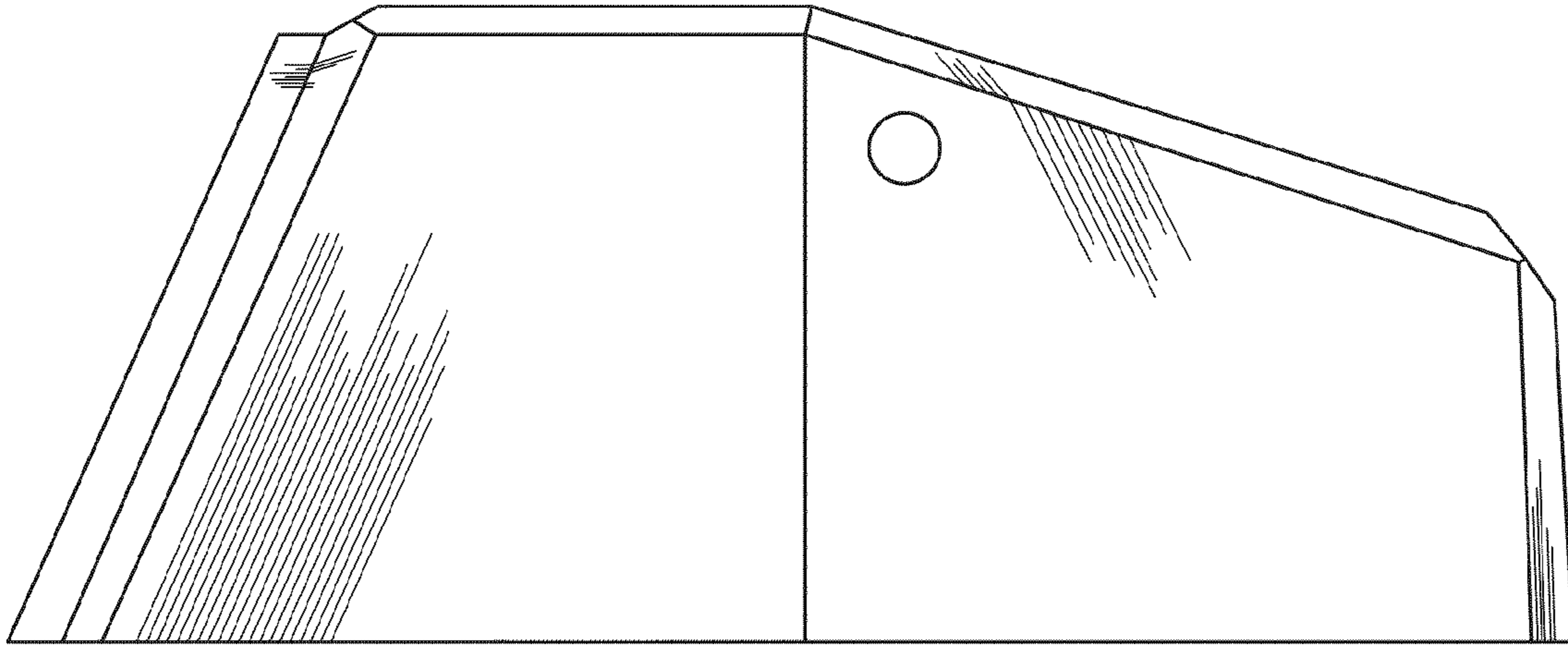


FIG. 6

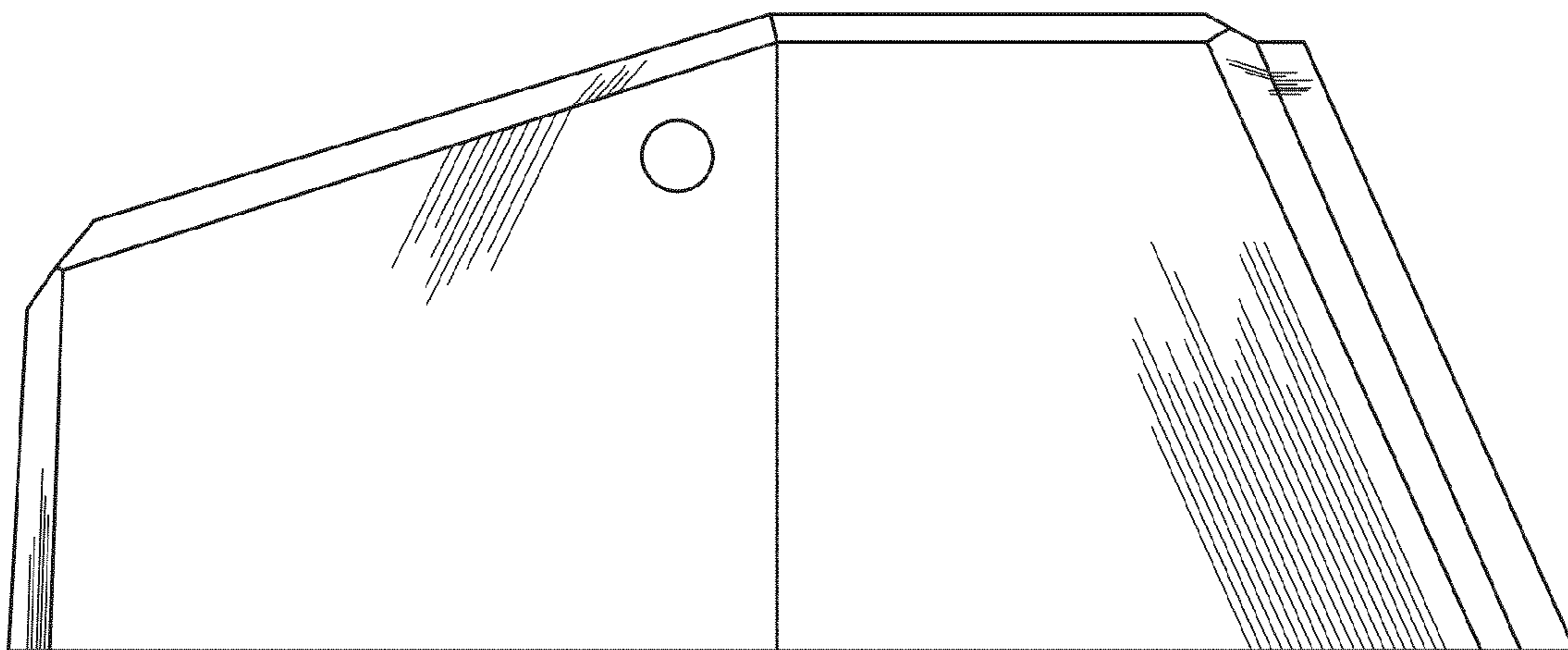


FIG. 7