



US00D647824S

(12) **United States Design Patent**  
**Kouchi et al.**

(10) **Patent No.:** **US D647,824 S**  
(45) **Date of Patent:** **\*\* Nov. 1, 2011**

(54) **MOTORCYCLE**

(75) Inventors: **Kaoru Kouchi**, Kakogawa (JP);  
**Hidefumi Yasuhara**, Kobe (JP); **Kiyoto Hiwada**, Kobe (JP)

(73) Assignee: **Kawasaki Jukogyo Kabushiki Kaisha**,  
Hyogo (JP)

(\*\*) Term: **14 Years**

(21) Appl. No.: **29/381,532**

(22) Filed: **Dec. 20, 2010**

(30) **Foreign Application Priority Data**

Jul. 16, 2010 (JP) ..... 2010-017414

(51) **LOC (9) Cl.** ..... **12-11**

(52) **U.S. Cl.** ..... **D12/110**

(58) **Field of Classification Search** ..... D12/110;  
180/219, 220, 225, 229

See application file for complete search history.

(56) **References Cited**

**U.S. PATENT DOCUMENTS**

D496,309 S \* 9/2004 Fukumoto et al. .... D12/110  
D504,844 S \* 5/2005 Sasanami ..... D12/110

D517,958 S \* 3/2006 Matsumura et al. .... D12/110  
D559,156 S \* 1/2008 Uemoto et al. .... D12/110  
D588,961 S \* 3/2009 Tanaka et al. .... D12/110  
D605,090 S \* 12/2009 Tanaka et al. .... D12/110  
D606,457 S \* 12/2009 Tanaka et al. .... D12/110  
D638,756 S \* 5/2011 Kouchi et al. .... D12/110

\* cited by examiner

*Primary Examiner* — Philip S Hyder

*Assistant Examiner* — Linda G. Brooks

(57) **CLAIM**

The ornamental design for a motorcycle, as shown and described.

**DESCRIPTION**

FIG. 1 is a front elevational view of a motorcycle showing our new design;

FIG. 2 is a rear elevational view thereof;

FIG. 3 is a left side elevational view thereof;

FIG. 4 is a right side elevational view thereof;

FIG. 5 is a top plan view thereof;

FIG. 6 is a bottom plan view thereof;

FIG. 7 is a front left perspective view thereof; and,

FIG. 8 is a rear right perspective view thereof.

The portions of the motorcycle shown in broken lines are environmental and form no part of the claimed design.

**1 Claim, 8 Drawing Sheets**

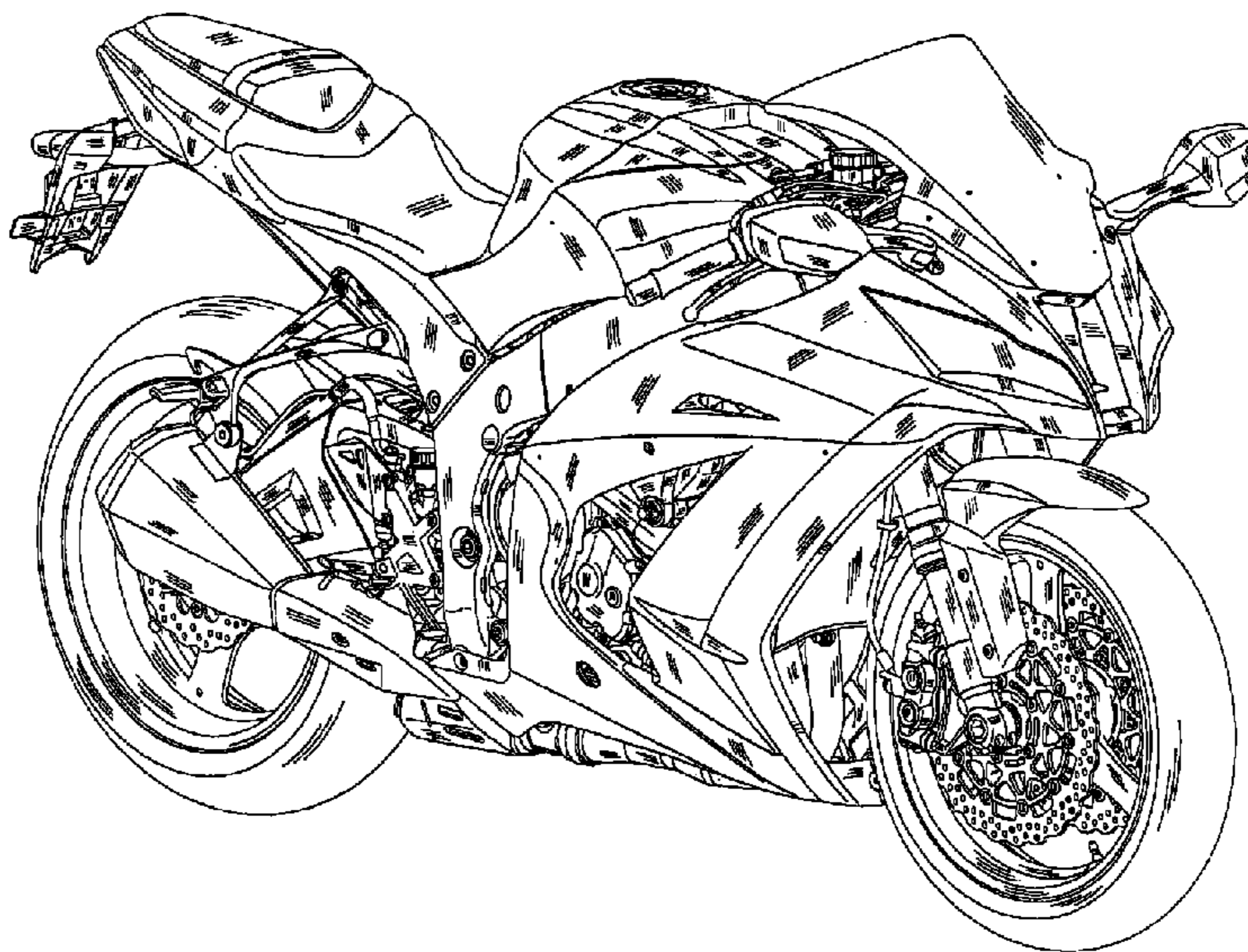
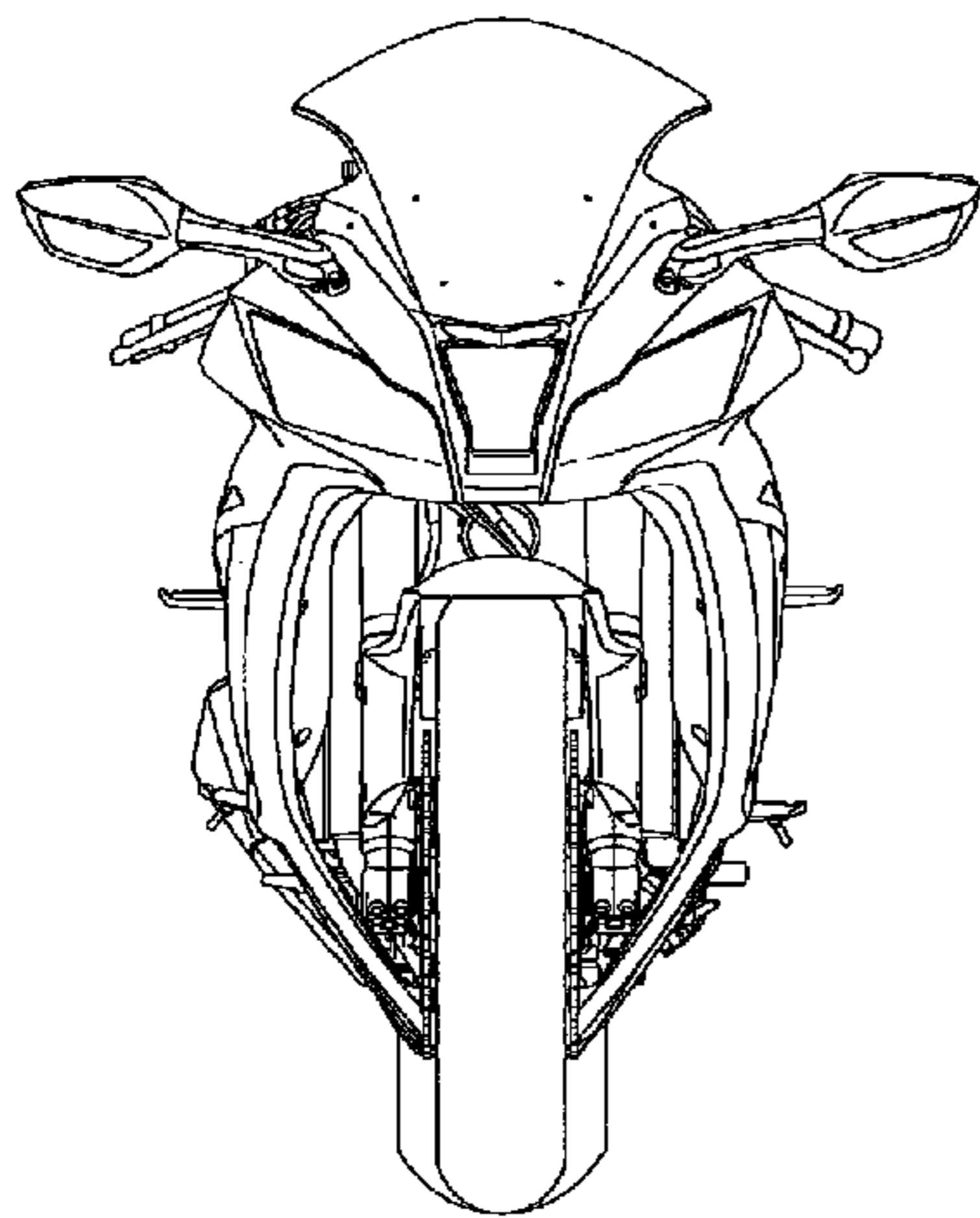


Fig. 1

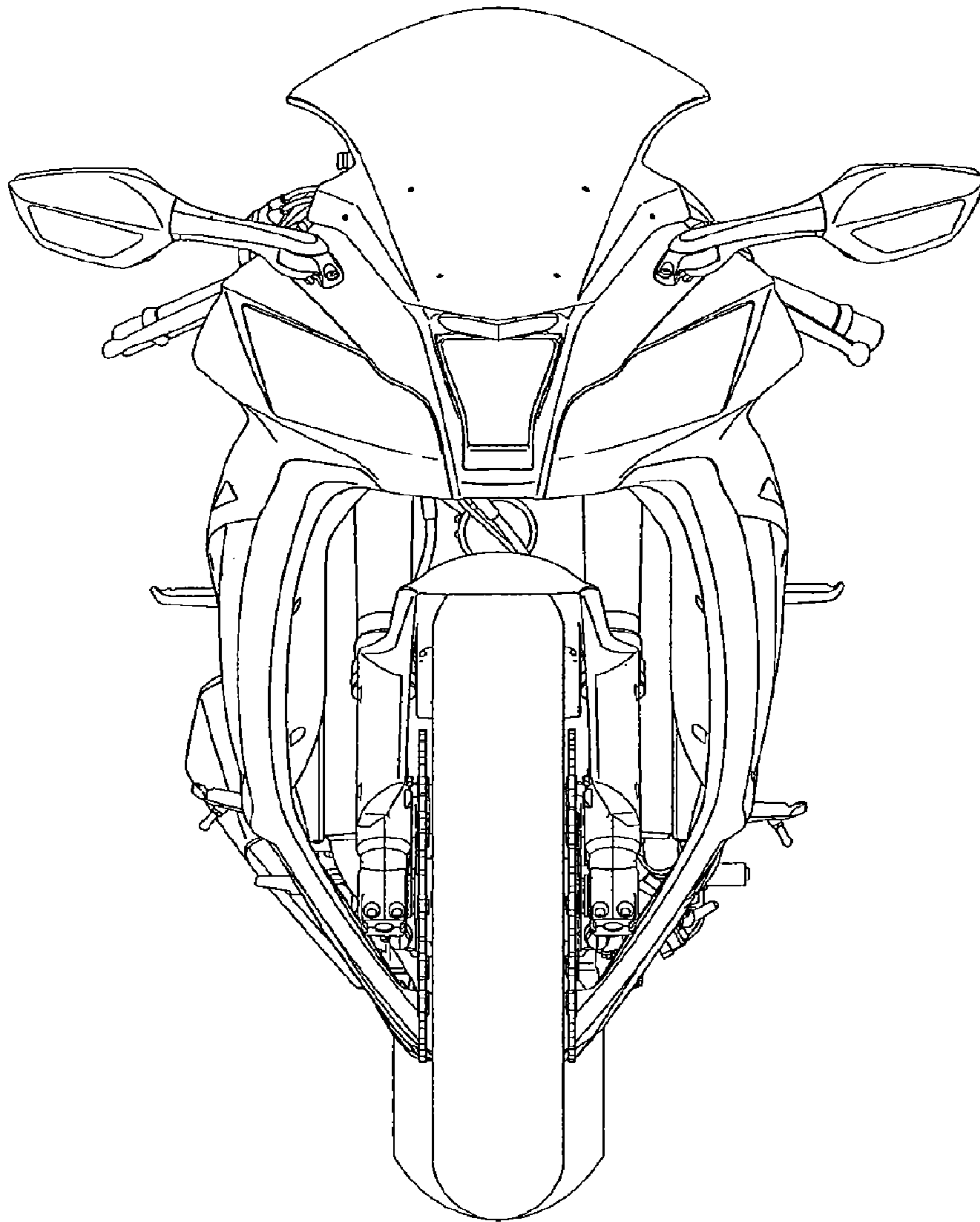
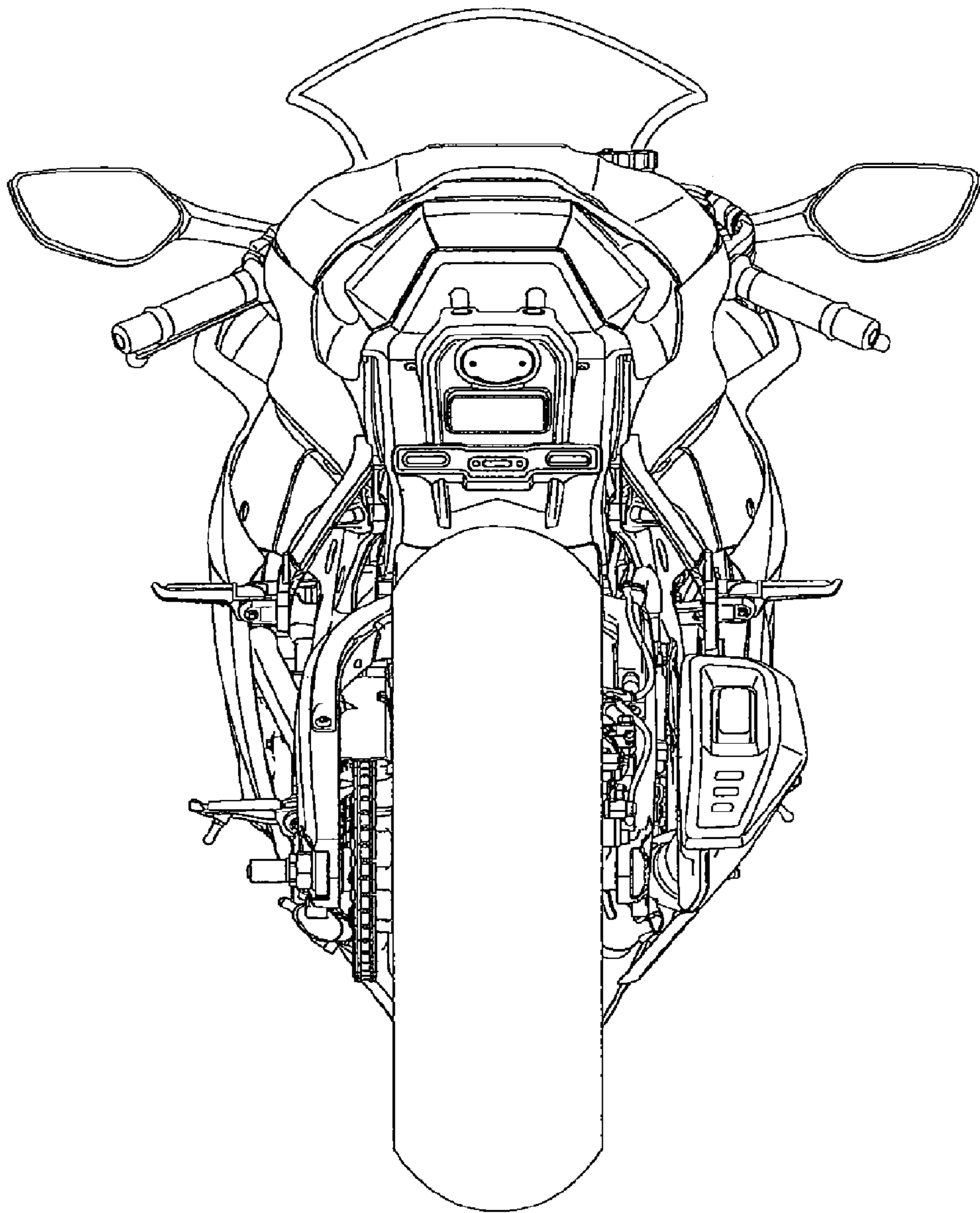


Fig. 2



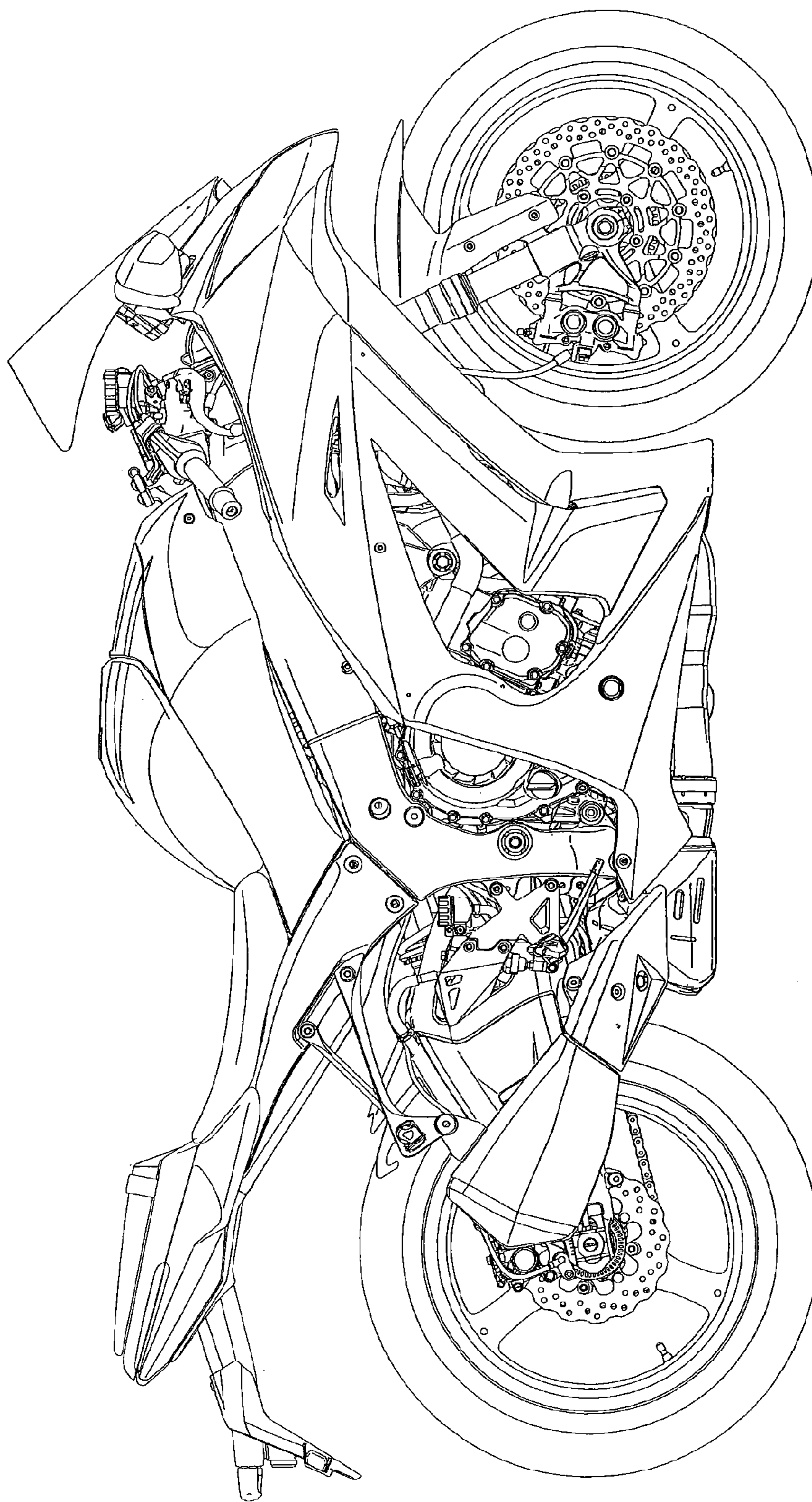


Fig. 3

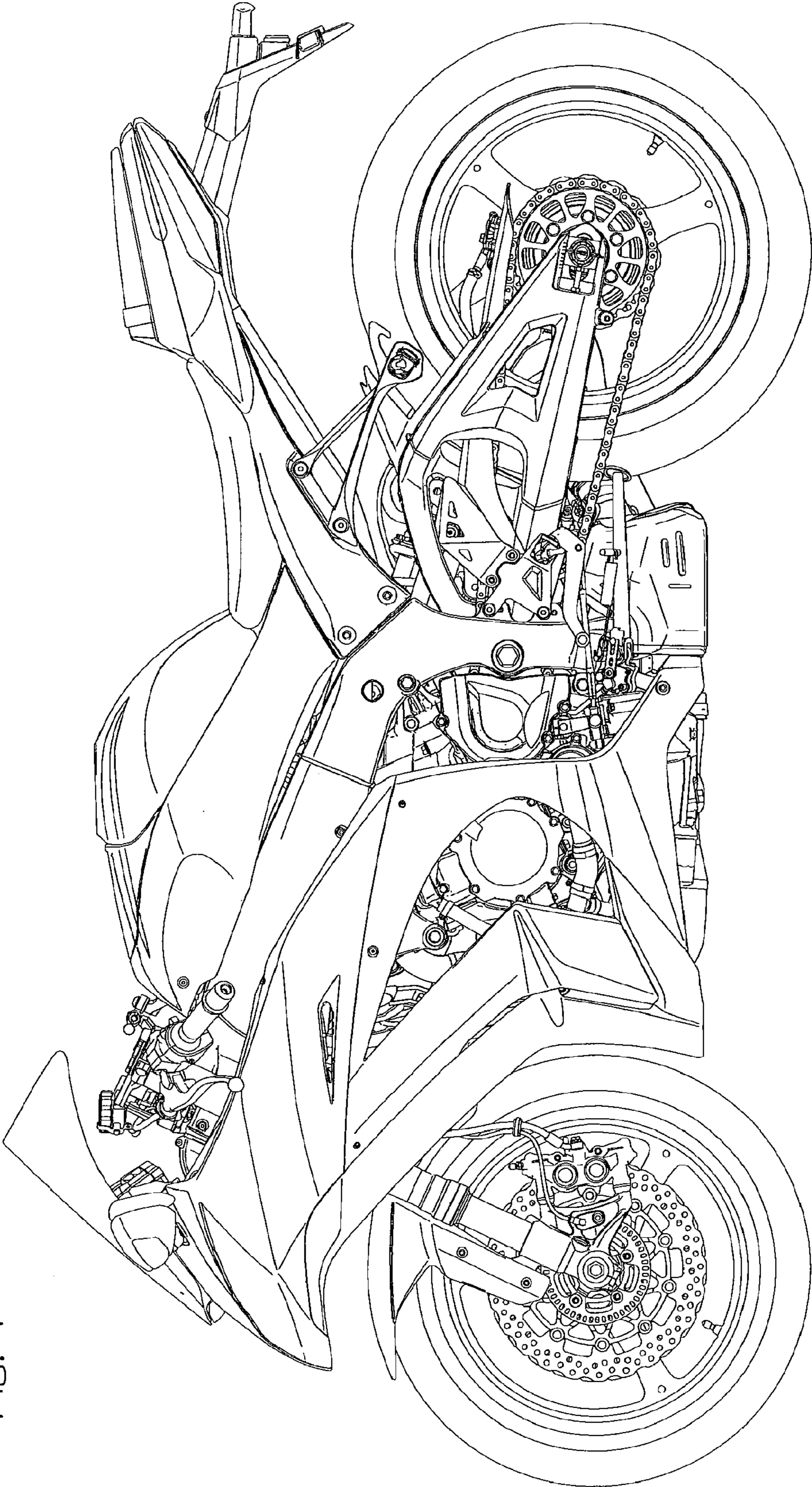


Fig. 4

Fig. 5

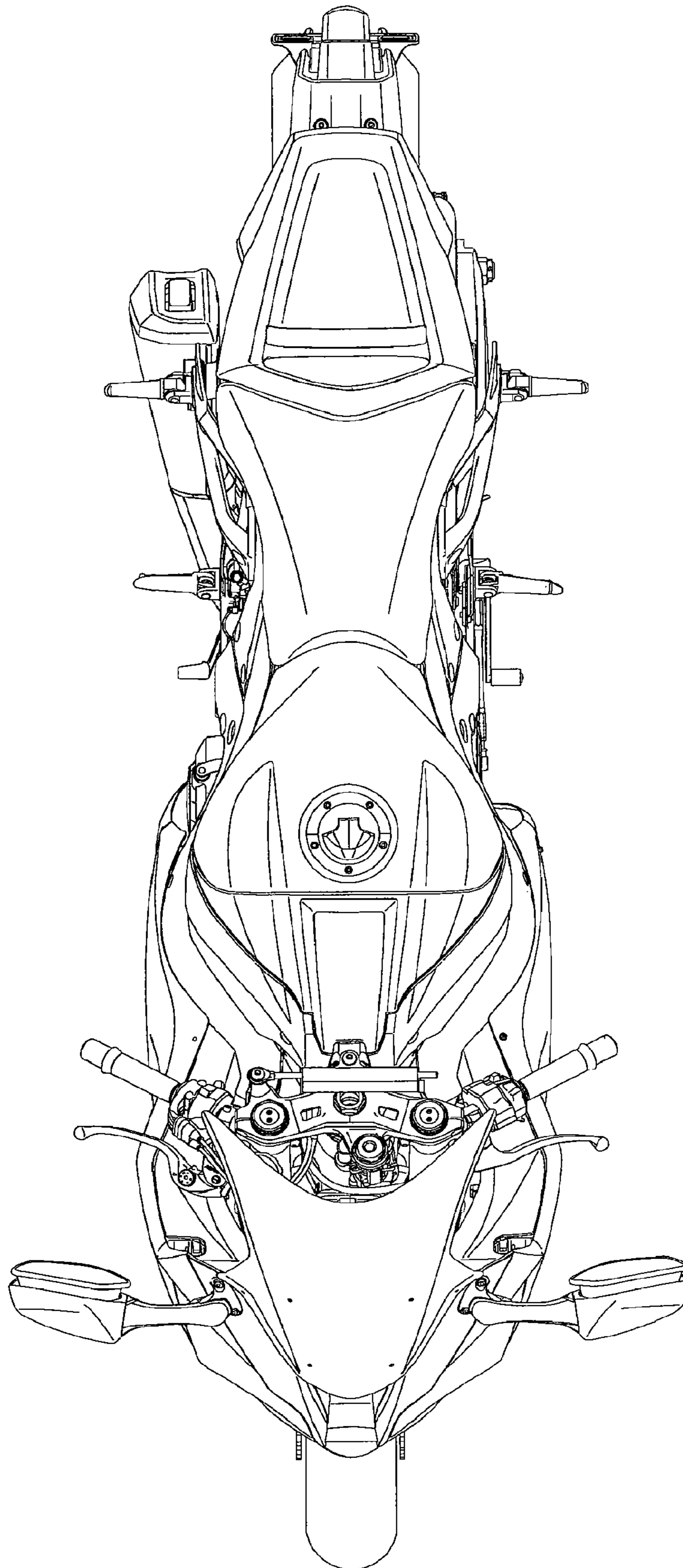


Fig. 6

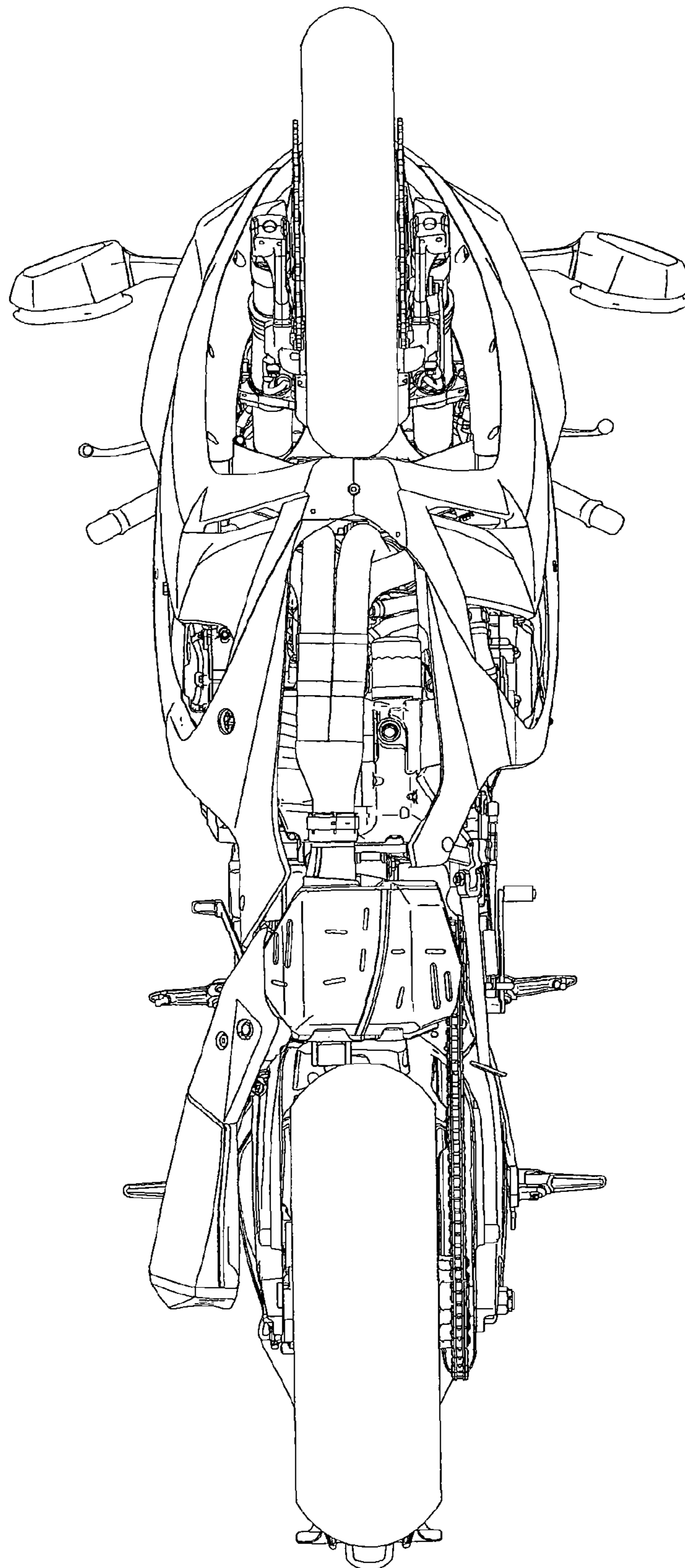




Fig. 7



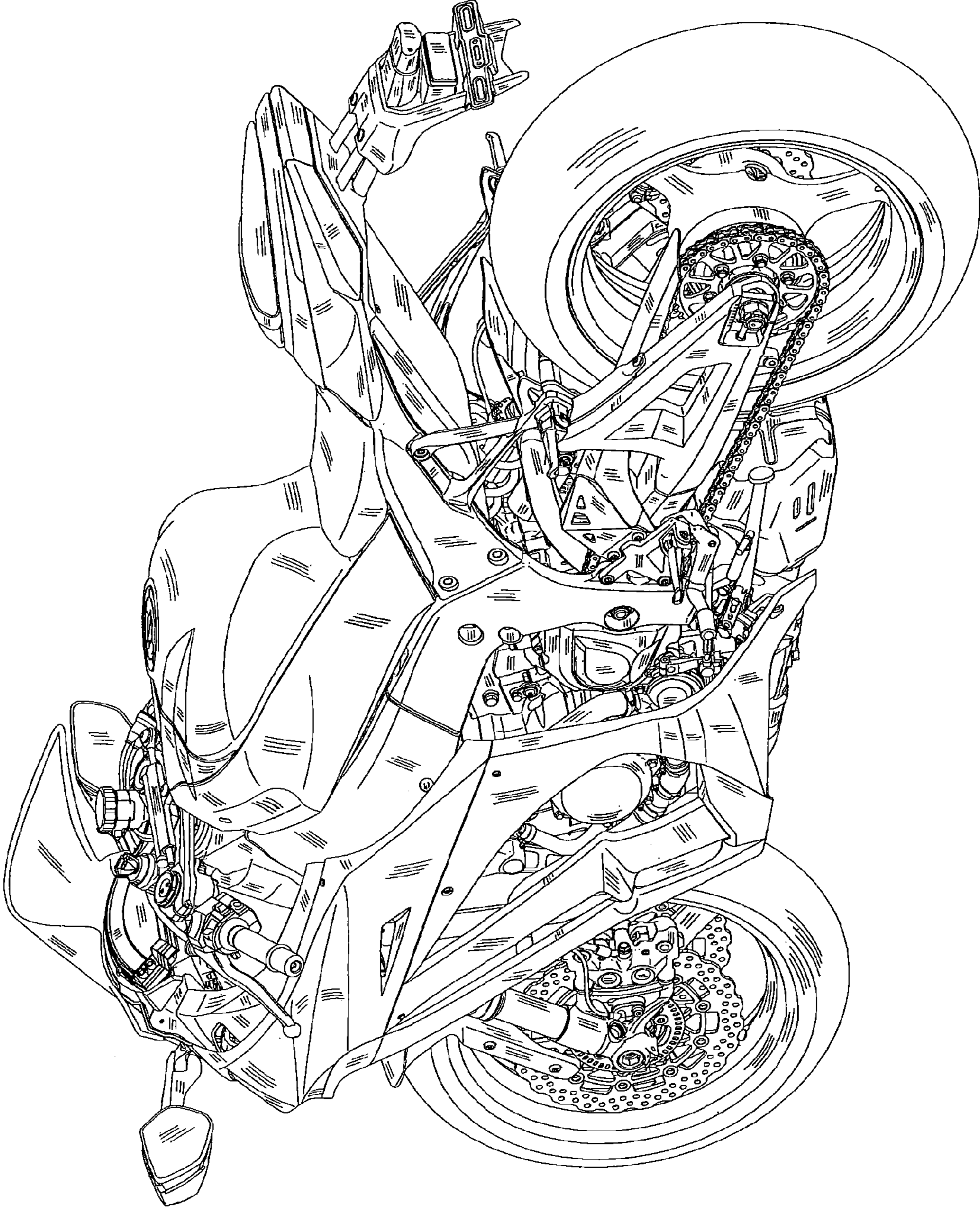


Fig. 8