

US00D647822S

(12) **United States Design Patent**  
**Murakawa et al.**

(10) **Patent No.:** **US D647,822 S**

(45) **Date of Patent:** **\*\* Nov. 1, 2011**

(54) **AUTOMOBILE AND/OR REPLICA THEREOF**

(75) Inventors: **Atsushi Murakawa**, Saitama (JP);  
**Katsunori Ogawa**, Saitama (JP)

(73) Assignee: **Honda Motor Co., Ltd.**, Toyko (JP)

(\*\*) Term: **14 Years**

(21) Appl. No.: **29/391,741**

(22) Filed: **May 12, 2011**

(30) **Foreign Application Priority Data**

Nov. 15, 2010 (JP) ..... 2010-027398

(51) **LOC (9) Cl.** ..... **12-08**

(52) **U.S. Cl.** ..... **D12/92**

(58) **Field of Classification Search** ..... D12/86,  
D12/90-92; D21/424, 433, 434; 296/181.1,  
296/181.5

See application file for complete search history.

(56) **References Cited**

**U.S. PATENT DOCUMENTS**

D599,706 S \* 9/2009 Tanaka et al. .... D12/92  
D625,663 S \* 10/2010 Ham ..... D12/92

D626,457 S \* 11/2010 Lian et al. .... D12/92  
D628,940 S \* 12/2010 Bischoff et al. .... D12/92  
D637,521 S \* 5/2011 Kim ..... D12/92  
D637,944 S \* 5/2011 Lee ..... D12/92  
D641,666 S \* 7/2011 Yi ..... D12/92

\* cited by examiner

*Primary Examiner* — Melody N Brown

(74) *Attorney, Agent, or Firm* — Westerman, Hattori,  
Daniels & Adrian, LLP

(57) **CLAIM**

The ornamental design for, an automobile and/or replica thereof, as shown and described.

**DESCRIPTION**

FIG. 1 is a front and right side perspective view of an automobile and/or replica thereof, showing our new design; FIG. 2 is a rear and right side perspective view thereof; FIG. 3 is a front elevation view thereof; FIG. 4 is a rear elevation view thereof; FIG. 5 is a top plan view thereof; and, FIG. 6 is a right side elevation view thereof. The left side elevation view is a mirror image of the right side elevation view. The broken lines are for illustrative purposes only and form no part of the claimed design.

**1 Claim, 4 Drawing Sheets**

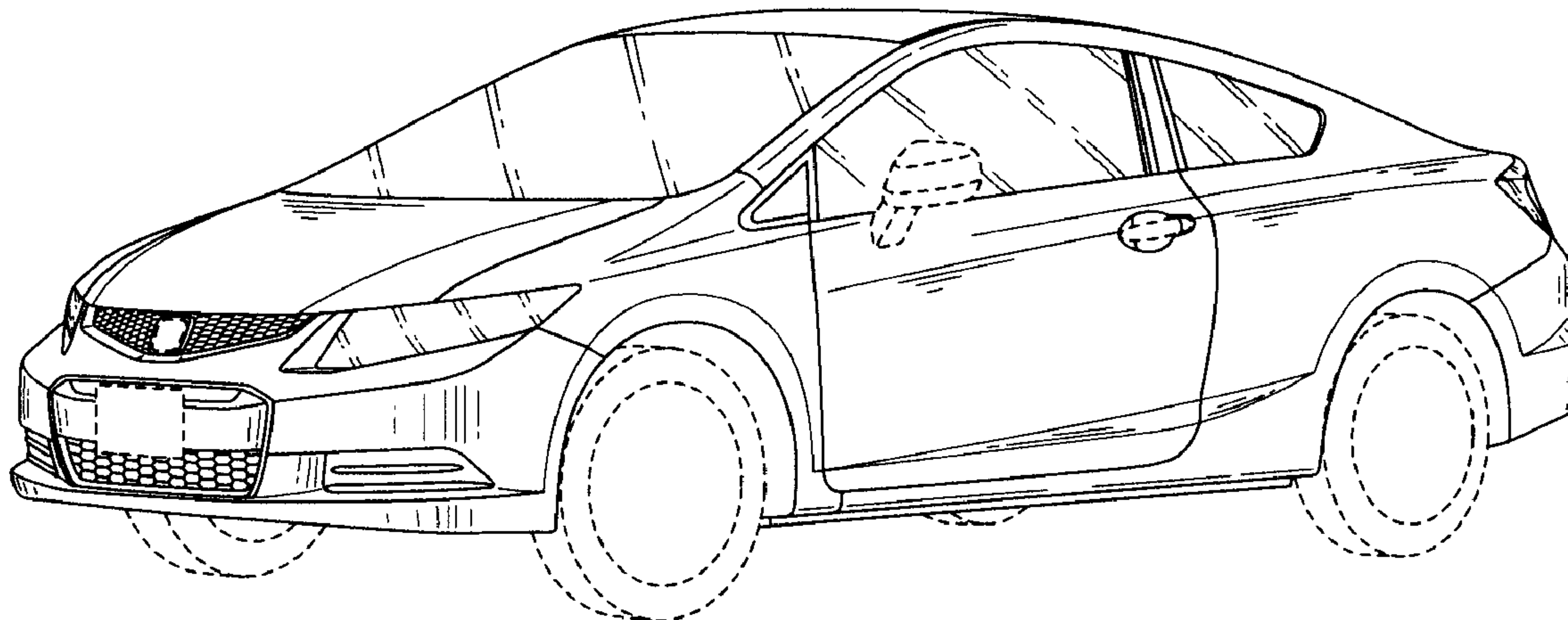


FIG. 1

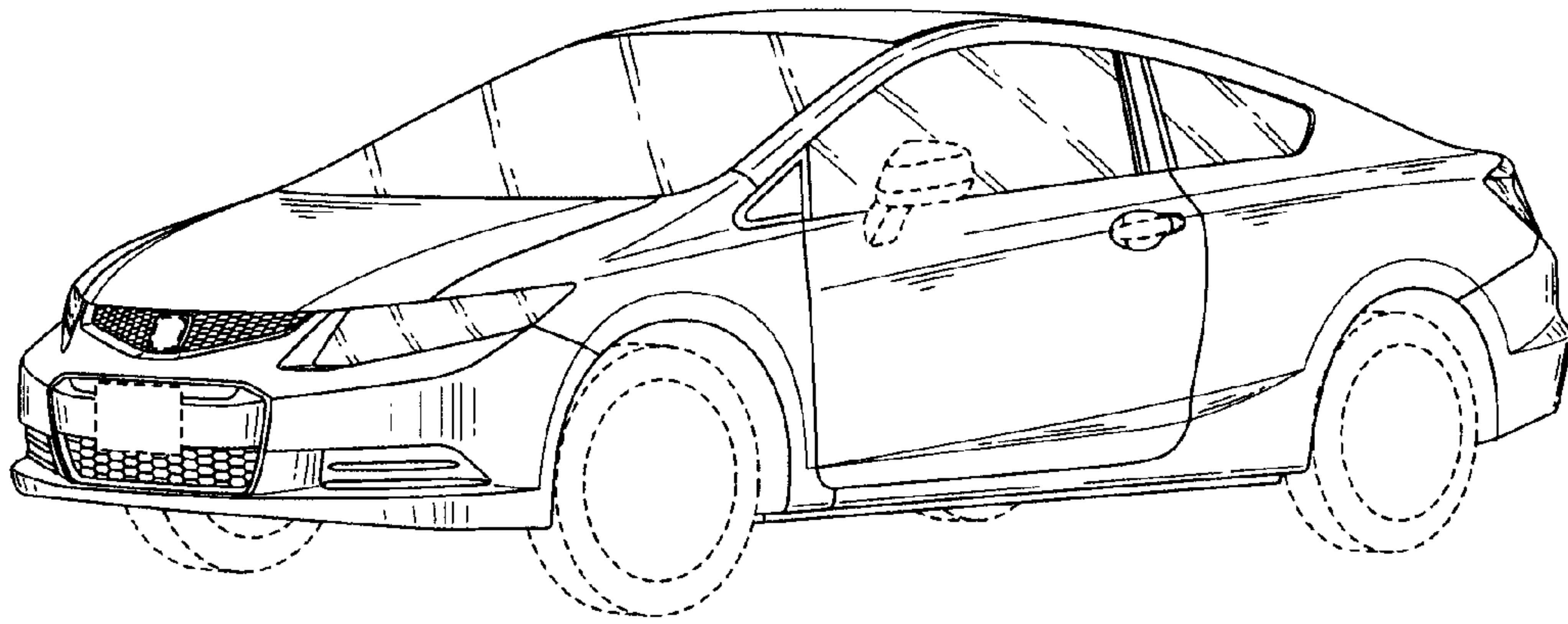


FIG. 2

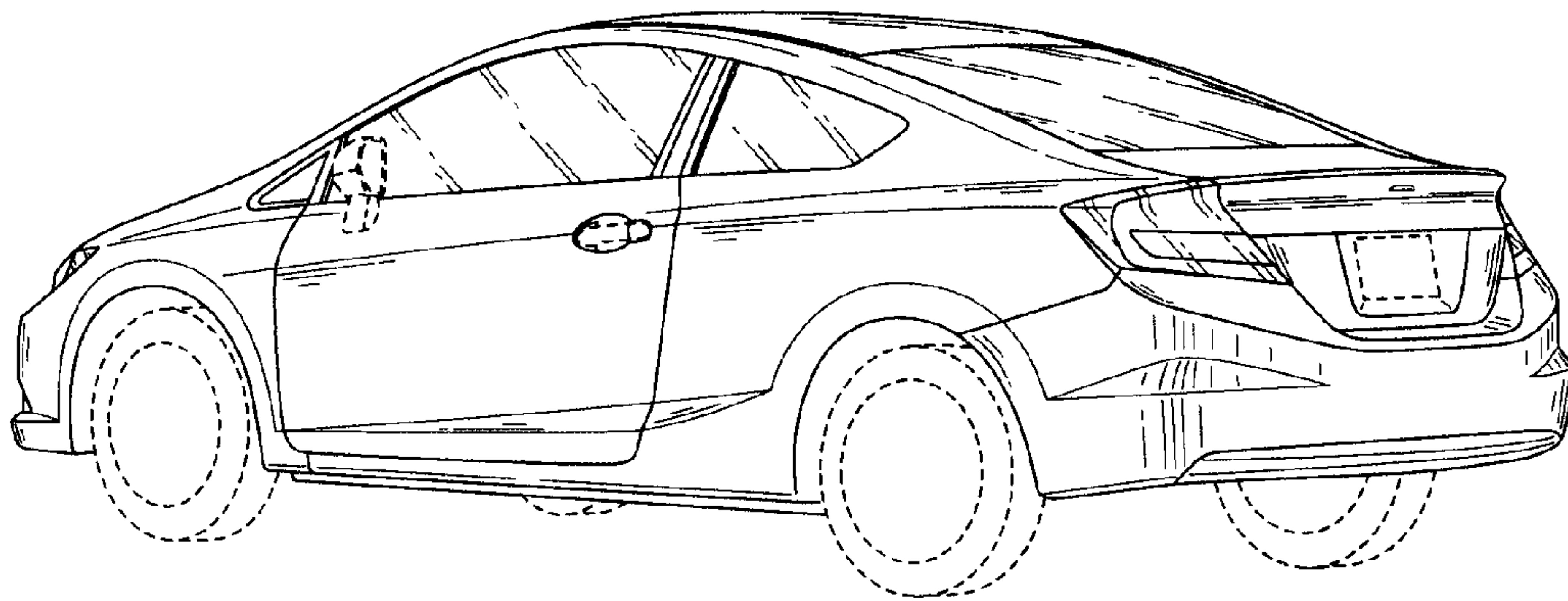


FIG. 3

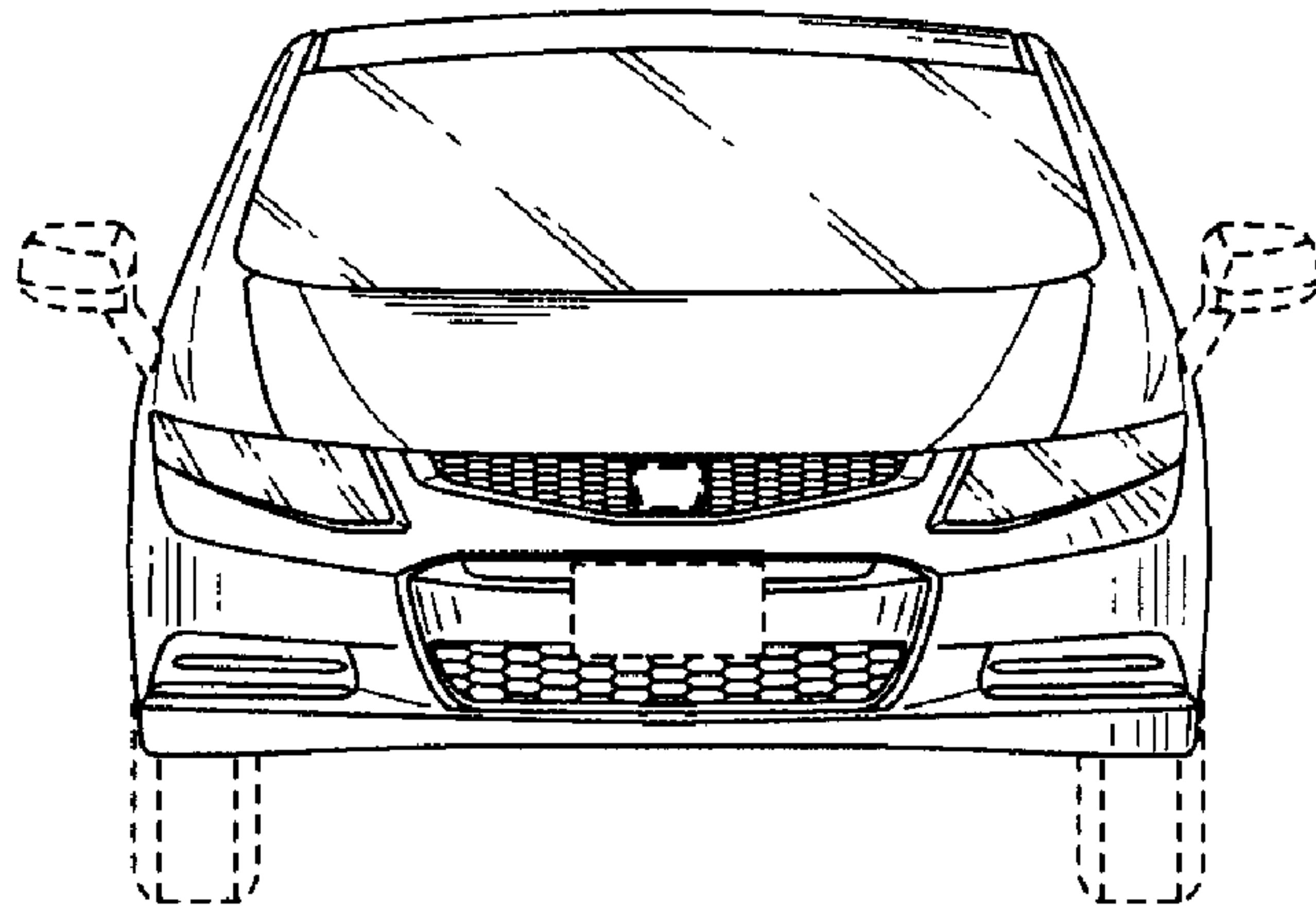


FIG. 4

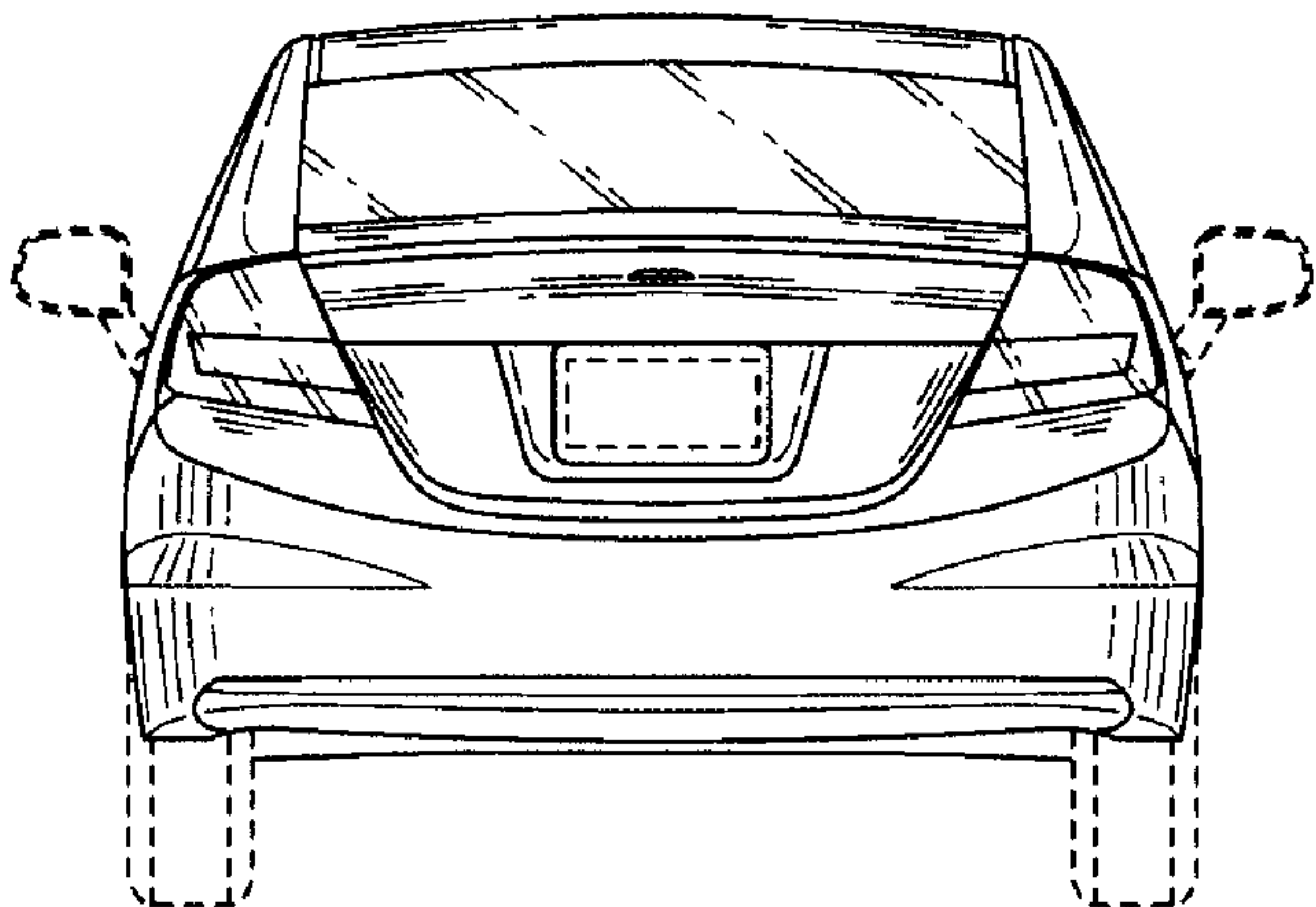


FIG. 5

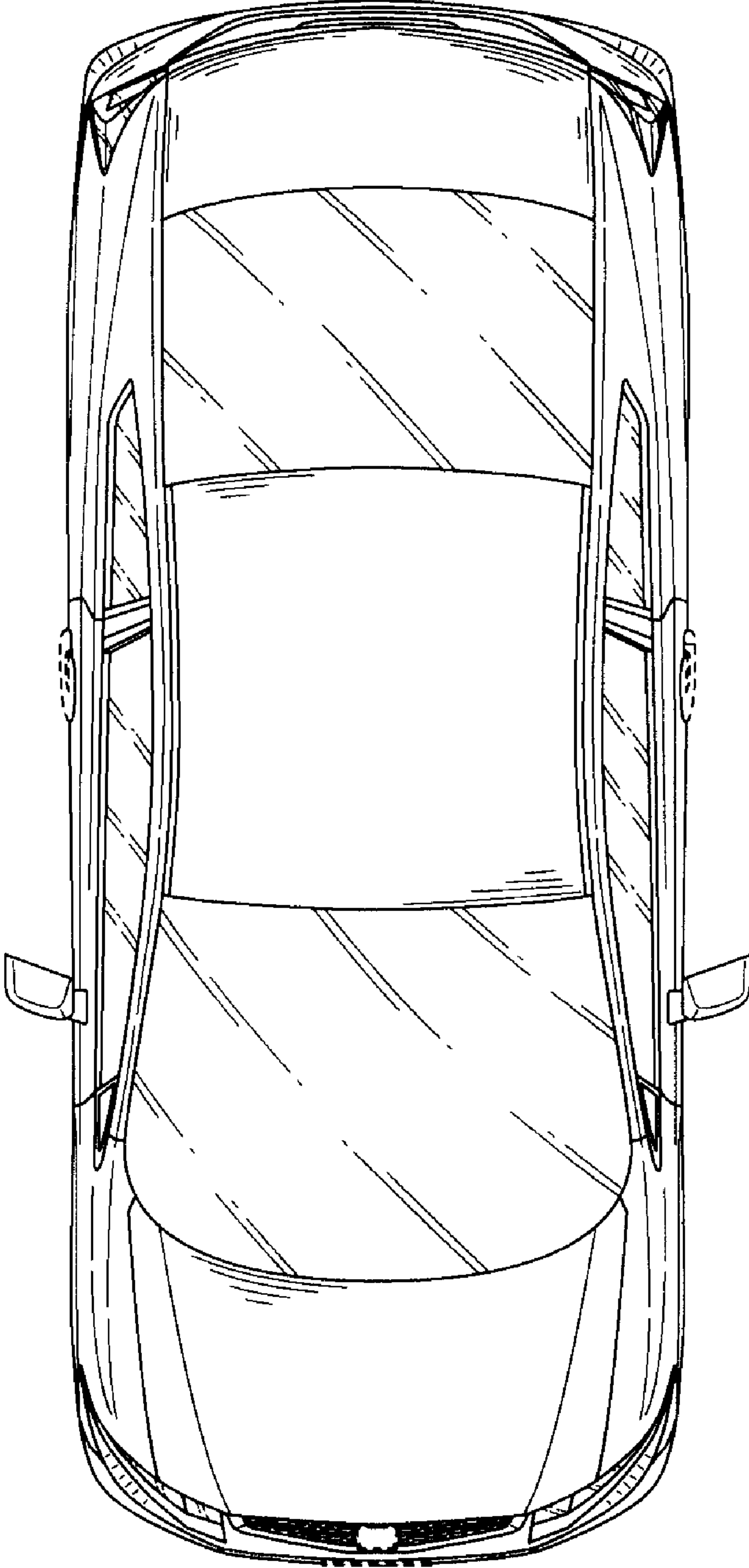


FIG. 6

