



US00D647821S

(12) **United States Design Patent**  
**Bischoff et al.**

(10) **Patent No.:** **US D647,821 S**

(45) **Date of Patent:** **\*\* Nov. 1, 2011**

(54) **MOTOR VEHICLE**

(75) Inventors: **Klaus Bischoff**, Evessen (DE); **Marc Lichte**, Braunschweig (DE); **Silva Arnaldo Cruzeiro**, Wolfsburg (DE)

(73) Assignee: **Volkswagen AG**, Wolfsburg (DE)

(\*\*) Term: **14 Years**

(21) Appl. No.: **29/386,650**

(22) Filed: **Mar. 3, 2011**

(30) **Foreign Application Priority Data**

Sep. 6, 2010 (WO) ..... 563 542 501

(51) **LOC (9) Cl.** ..... **12-08**

(52) **U.S. Cl.** ..... **D12/91**

(58) **Field of Classification Search** ..... D12/86,  
D12/90-92, 99; D21/424, 433, 434; 296/181.1,  
296/181.5

See application file for complete search history.

(56) **References Cited**

**U.S. PATENT DOCUMENTS**

|              |         |                 |       |        |
|--------------|---------|-----------------|-------|--------|
| D464,914 S * | 10/2002 | Warkuss et al.  | ..... | D12/91 |
| D508,436 S * | 8/2005  | Warkuss et al.  | ..... | D12/91 |
| D552,511 S * | 10/2007 | Dekena et al.   | ..... | D12/91 |
| D554,562 S * | 11/2007 | Adams et al.    | ..... | D12/91 |
| D559,736 S * | 1/2008  | Bischoff et al. | ..... | D12/91 |
| D559,737 S * | 1/2008  | Bischoff et al. | ..... | D12/91 |
| D584,189 S * | 1/2009  | Bischoff et al. | ..... | D12/91 |
| D584,997 S * | 1/2009  | Bischoff et al. | ..... | D12/91 |
| D589,400 S * | 3/2009  | Bischoff et al. | ..... | D12/91 |

|              |         |                 |       |        |
|--------------|---------|-----------------|-------|--------|
| D620,394 S * | 7/2010  | Bischoff et al. | ..... | D12/91 |
| D620,840 S * | 8/2010  | Bischoff et al. | ..... | D12/91 |
| D626,885 S * | 11/2010 | Bischoff et al. | ..... | D12/91 |

\* cited by examiner

*Primary Examiner* — Melody N Brown

(74) *Attorney, Agent, or Firm* — Lucas & Mercanti, LLP; Klaus P. Stoffel

(57) **CLAIM**

The ornamental design for a motor vehicle, as shown and described.

**DESCRIPTION**

FIG. 1 is a front, right side perspective view of the motor vehicle of the present invention;  
 FIG. 2 is a rear, right side perspective view thereof;  
 FIG. 3 is a front view thereof;  
 FIG. 4 is a rear view thereof;  
 FIG. 5 is a right side view thereof;  
 FIG. 6 is a left side view thereof;  
 FIG. 7 is a front, left side perspective view thereof;  
 FIG. 8 is a rear, left side perspective view thereof;  
 FIG. 9 is a top view thereof;  
 FIG. 10 is a bottom view thereof  
 FIG. 11 is a front, right side perspective view of a second embodiment of the motor vehicle of the present invention;  
 FIG. 12 is a rear, right side perspective view of FIG. 12;  
 FIG. 13 is a front view of FIG. 12;  
 FIG. 14 is a rear view of FIG. 12;  
 FIG. 15 is a right side view of FIG. 12;  
 FIG. 16 is a left side view of FIG. 12;  
 FIG. 17 is a front, left side perspective view of FIG. 12;  
 FIG. 18 is a rear, left side perspective view of FIG. 12;  
 FIG. 19 is a top view of FIG. 12; and,  
 FIG. 20 is a bottom view of FIG. 12.

**1 Claim, 10 Drawing Sheets**





**Fig. 1**



**Fig. 2**



Fig. 3



Fig. 4



**Fig. 5**



**Fig. 6**



**Fig. 7**



**Fig. 8**

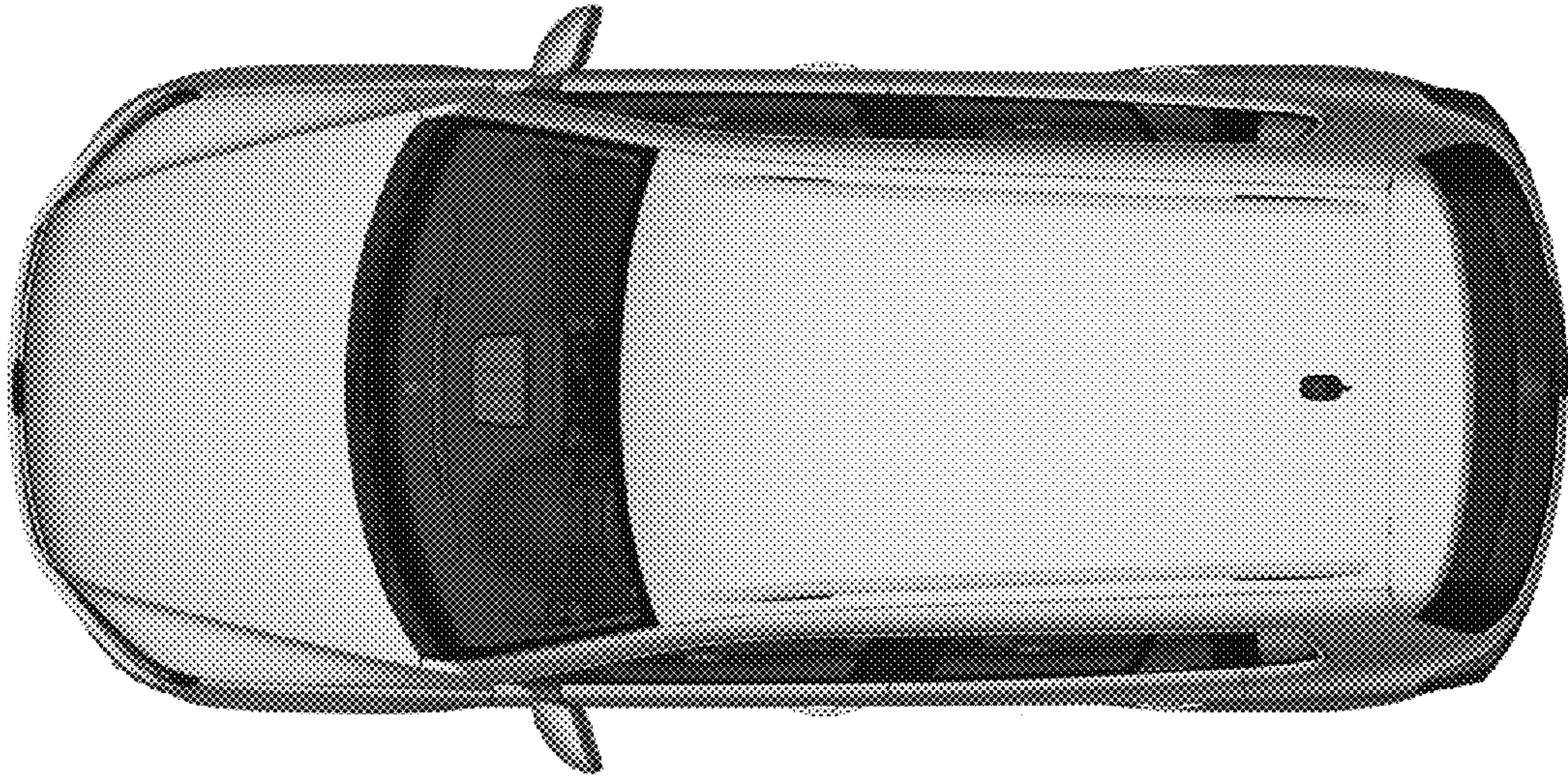


Fig. 9

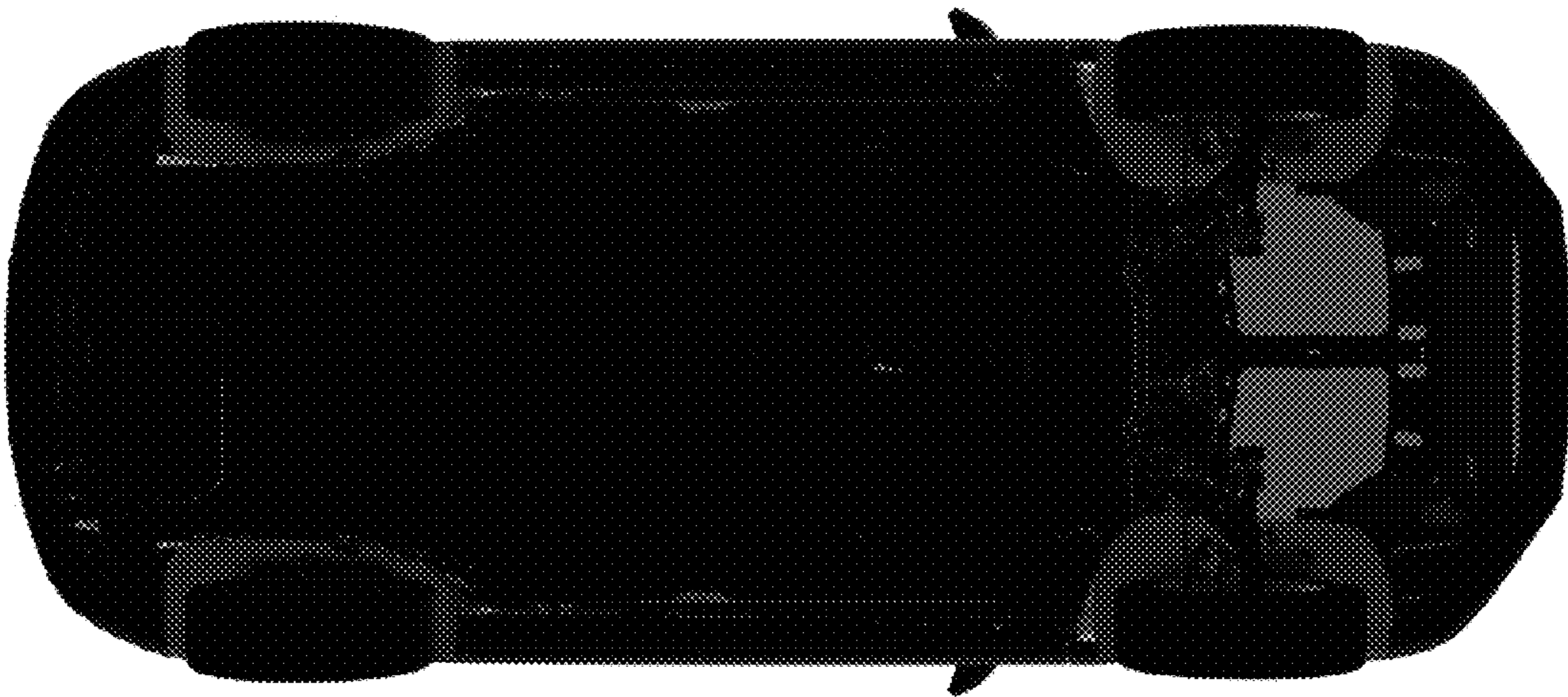


Fig. 10



**Fig. 11**



**Fig. 12**



Fig. 13



Fig. 14





Fig. 15



Fig. 16



**Fig. 17**



**Fig. 18**

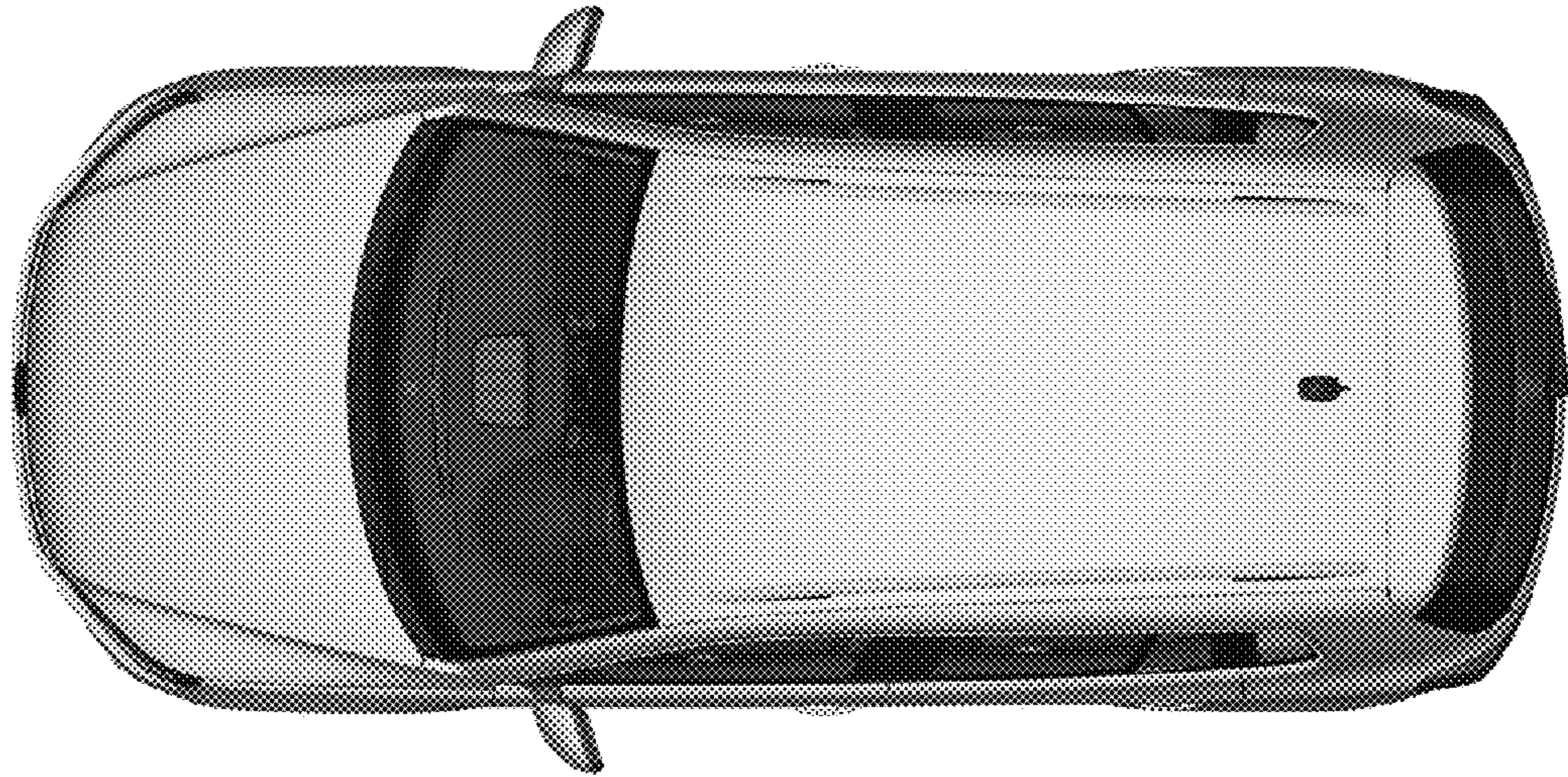


Fig. 19

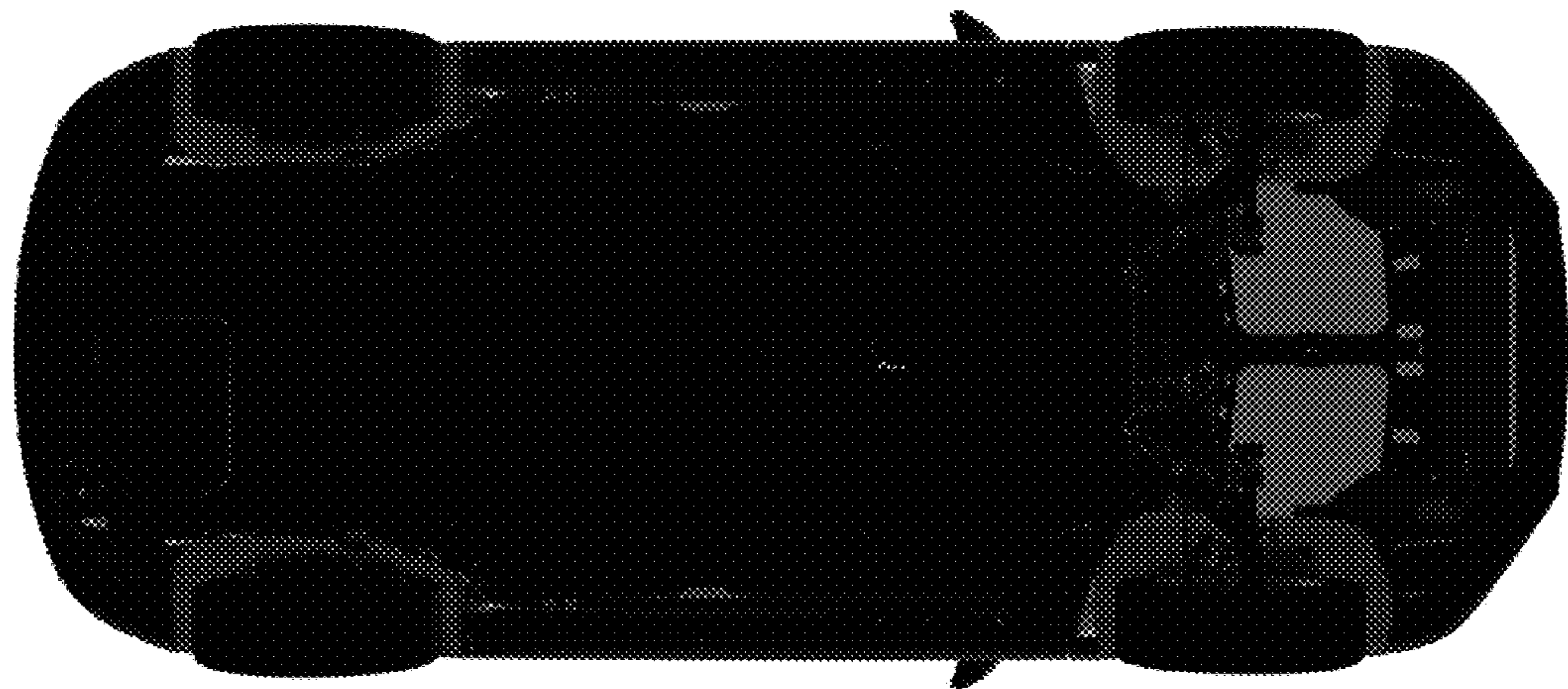


Fig. 20