



US00D647818S

(12) **United States Design Patent**  
**Kaneko**

(10) **Patent No.:** **US D647,818 S**

(45) **Date of Patent:** **\*\* Nov. 1, 2011**

(54) **BUCKLE**

(75) Inventor: **Hitoshi Kaneko**, Toyama-ken (JP)

(73) Assignee: **YKK Corporation** (JP)

(\*\*) Term: **14 Years**

(21) Appl. No.: **29/384,044**

(22) Filed: **Jan. 26, 2011**

(30) **Foreign Application Priority Data**

Aug. 3, 2010 (JP) ..... 2010-018900

(51) **LOC (9) Cl.** ..... **02-07**

(52) **U.S. Cl.** ..... **D11/216**

(58) **Field of Classification Search** ..... D11/1-2,  
D11/200-201, 206-210, 214-218; 24/163 R,  
24/169-171, 173, 177-179, 191, 194-195,  
24/197, 200, 614-616, 625; 240/169-171;  
D3/318; 280/808

See application file for complete search history.

(56) **References Cited**

**U.S. PATENT DOCUMENTS**

D320,178 S \* 9/1991 Kasai ..... D11/218  
D340,886 S \* 11/1993 Anscher ..... D11/218

D386,124 S \* 11/1997 Anscher ..... D11/216  
D471,486 S \* 3/2003 Uehara et al. .... D11/216  
D502,891 S \* 3/2005 Yoshiguchi ..... D11/220  
D535,913 S \* 1/2007 Yang ..... D11/216

**FOREIGN PATENT DOCUMENTS**

JP D814943 7/1991

\* cited by examiner

*Primary Examiner* — Ralf Seifert

(74) *Attorney, Agent, or Firm* — Kilpatrick Townsend & Stockton LLP

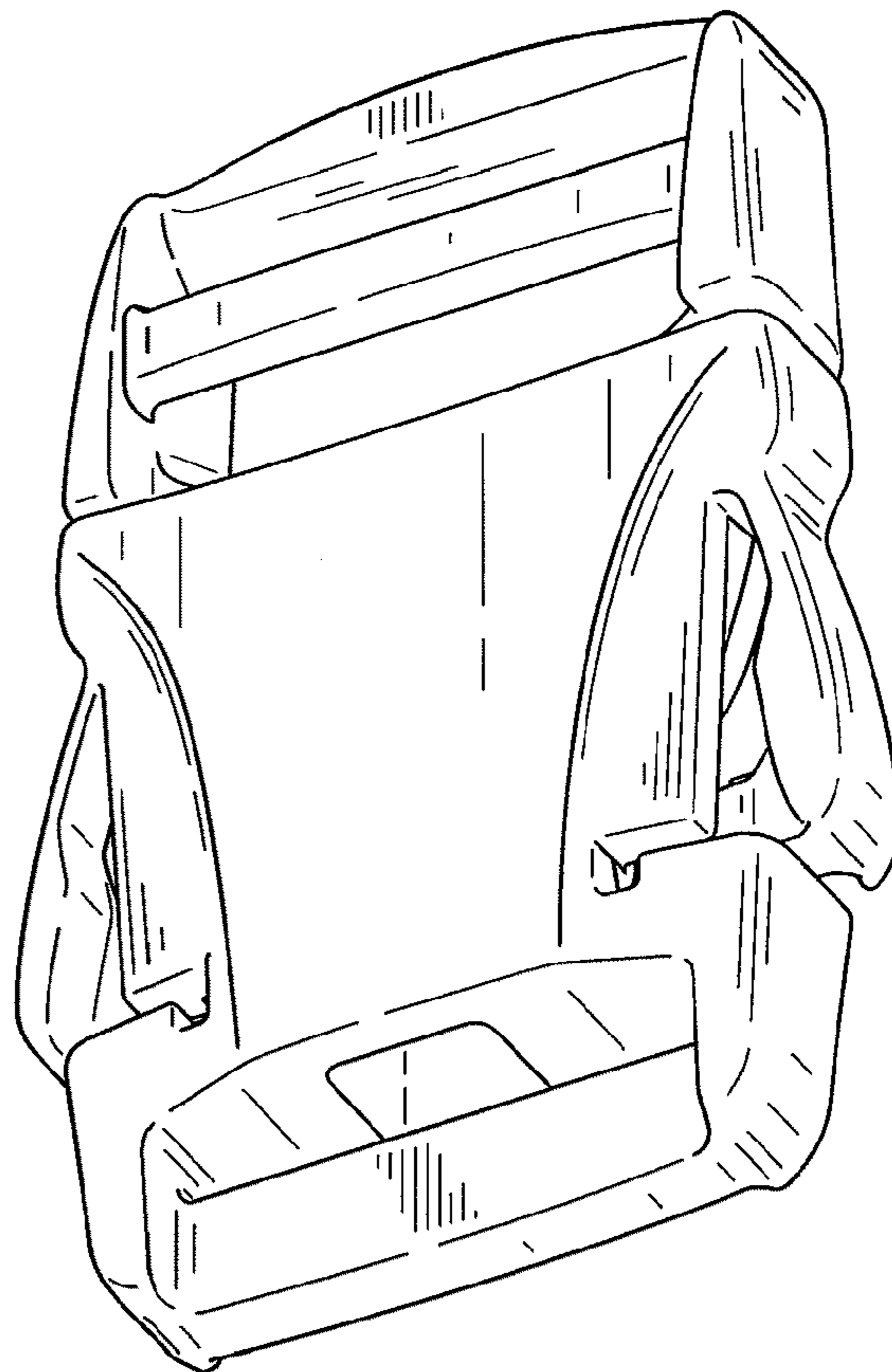
(57) **CLAIM**

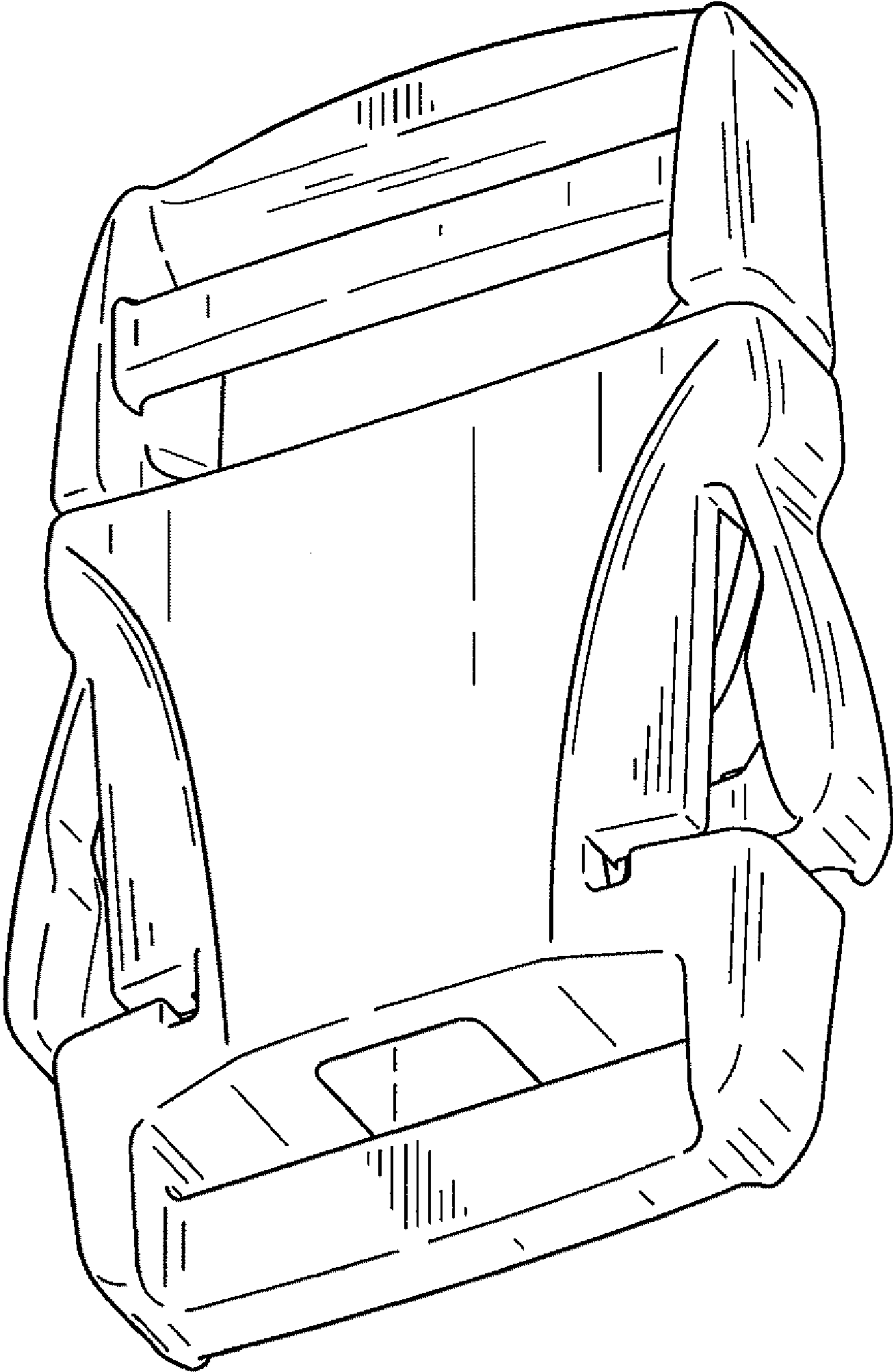
The ornamental design for a buckle, as shown and described.

**DESCRIPTION**

FIG. 1 is a perspective view of the bottom, front and right of a buckle showing my (our) new design;  
FIG. 2 is a front view thereof;  
FIG. 3 is a rear view thereof;  
FIG. 4 is a top plan view thereof;  
FIG. 5 is a bottom view thereof;  
FIG. 6 is a right side view thereof, the left side view being mirror image thereof; and,  
FIG. 7 is a cross sectional view at a line 7-7 shown in FIG. 6.

**1 Claim, 4 Drawing Sheets**





**FIG. 1**

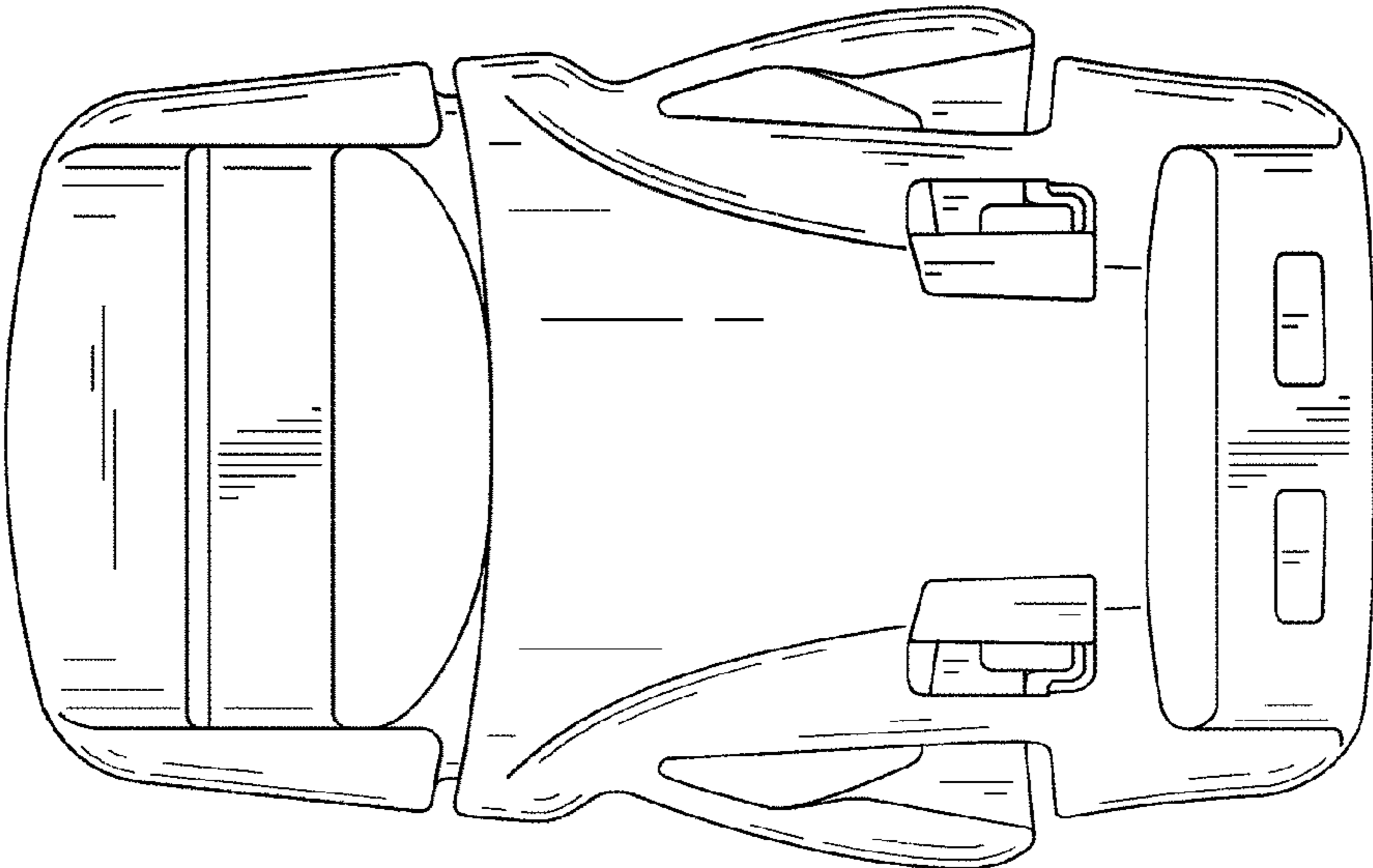


FIG. 3

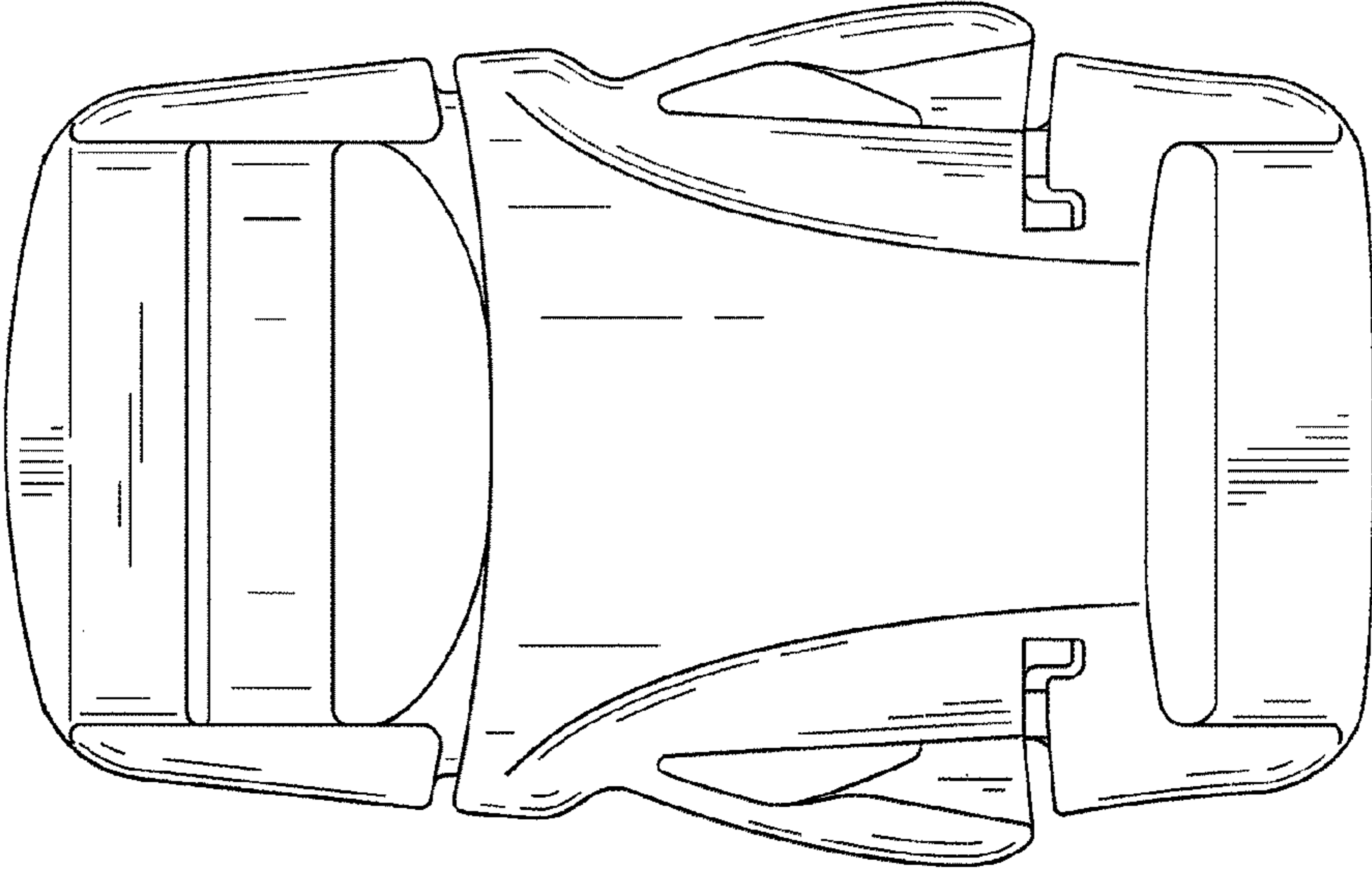
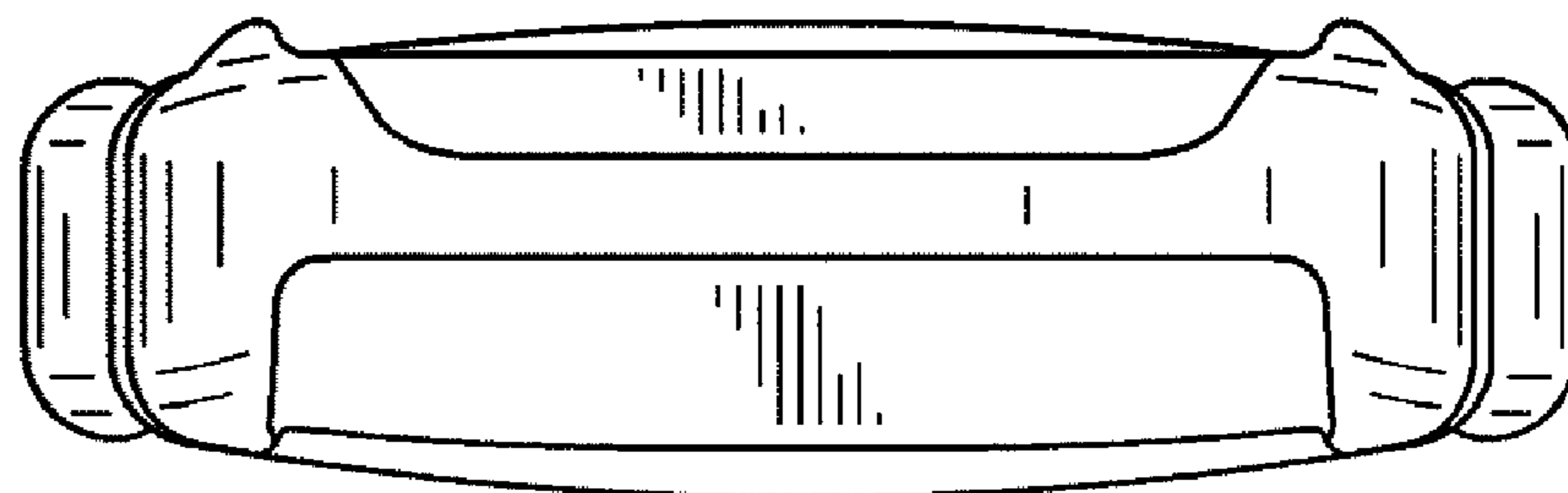
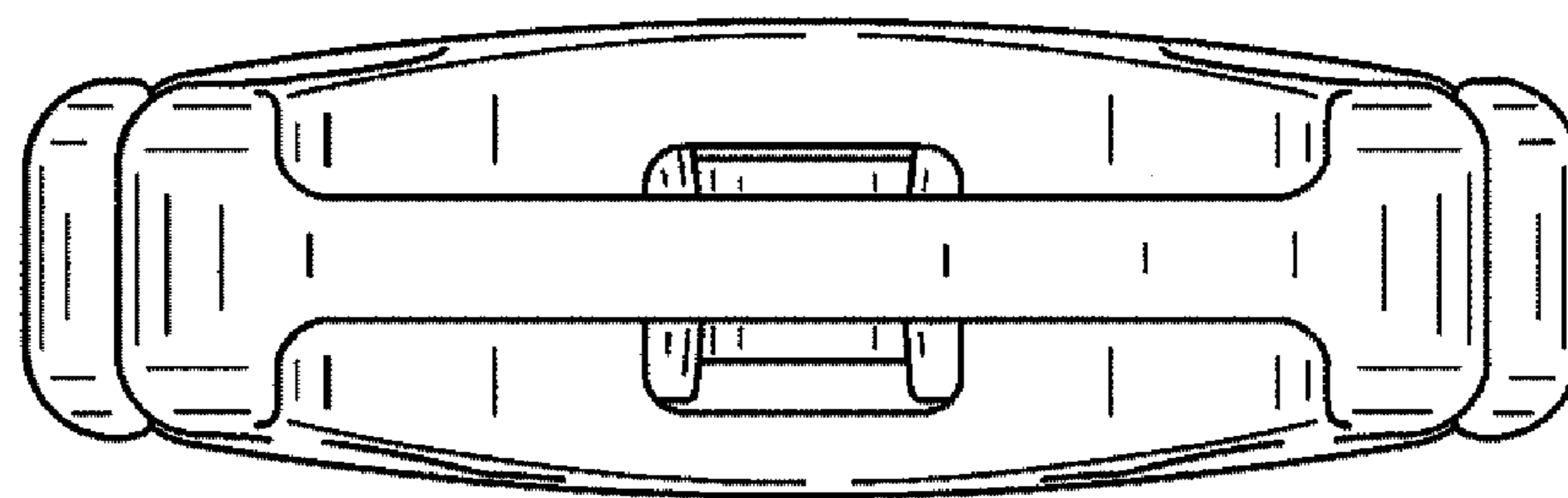


FIG. 2



**FIG. 4**



**FIG. 5**

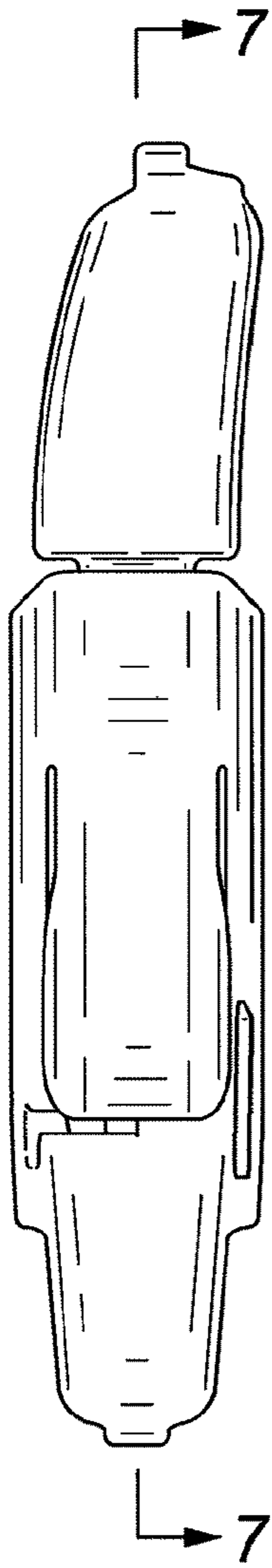


FIG. 6

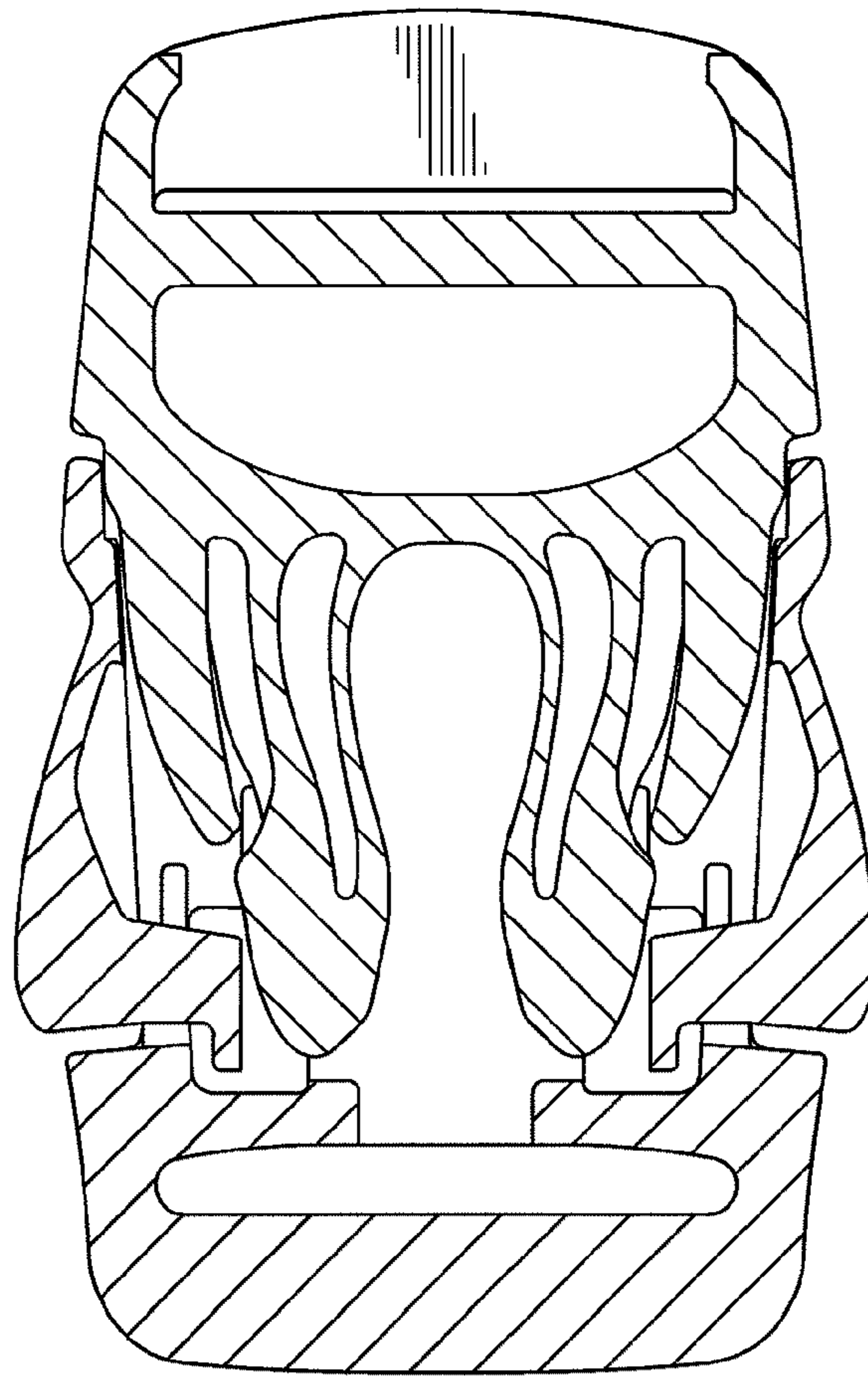


FIG. 7