



US00D647812S

(12) **United States Design Patent**
Kuwano et al.

(10) **Patent No.:** **US D647,812 S**
(45) **Date of Patent:** **** Nov. 1, 2011**

(54) **SIGNAL WARNING AND DISPLAYING LAMP**

(75) Inventors: **Koichi Kuwano**, Osaka (JP); **Tetsuya Miyatake**, Osaka (JP)

(73) Assignee: **Patlite Corporation**, Osaka (JP)

(**) Term: **14 Years**

(21) Appl. No.: **29/385,919**

(22) Filed: **Feb. 22, 2011**

(30) **Foreign Application Priority Data**

Aug. 23, 2010 (JP) 2010-020356 D
Aug. 23, 2010 (JP) 2010-020358 D

(51) **LOC (9) Cl.** **10-05**

(52) **U.S. Cl.** **D10/114.1**

(58) **Field of Classification Search** D10/114.2,
D10/114.6, 114.9; D26/37, 39-42; 362/202,
362/203, 205

See application file for complete search history.

(56) **References Cited**

U.S. PATENT DOCUMENTS

2,486,998 A * 11/1949 Szeklinski 340/321
D322,584 S * 12/1991 Kawashima et al. D10/114.6
5,081,568 A * 1/1992 Dong et al. 362/184
5,521,595 A * 5/1996 Totten et al. 340/908
5,653,529 A * 8/1997 Spocharski 362/235

D383,867 S * 9/1997 Shalvi D26/68
D389,420 S * 1/1998 Campman D10/114.9
6,135,612 A * 10/2000 Clore 362/184
6,371,625 B2 * 4/2002 Campman 362/184
D457,669 S * 5/2002 Piegras et al. D26/37
6,511,203 B1 * 1/2003 Winther 362/202
6,729,745 B2 * 5/2004 Yang 362/203
6,808,291 B1 * 10/2004 Aylward et al. 362/205
D513,810 S * 1/2006 Ho D26/37
D538,480 S * 3/2007 Chen D28/88
2004/0228124 A1 * 11/2004 Reiff et al. 362/184
2005/0099805 A1 * 5/2005 Chapman 362/184

* cited by examiner

Primary Examiner — Caron D Veynar

Assistant Examiner — George D Kirschbaum

(74) *Attorney, Agent, or Firm* — DLA Piper LLP (US)

(57) **CLAIM**

The ornamental design for a signal warning and displaying lamp, as shown and described.

DESCRIPTION

FIG. 1 is a front elevation view of a signal warning and displaying lamp showing our new design, the rear elevational view being a mirror image thereof;

FIG. 2 is a right side elevational view thereof, the left side being a mirror image thereof;

FIG. 3 is a top plan view thereof; and,

FIG. 4 is a bottom plan view thereof.

1 Claim, 2 Drawing Sheets

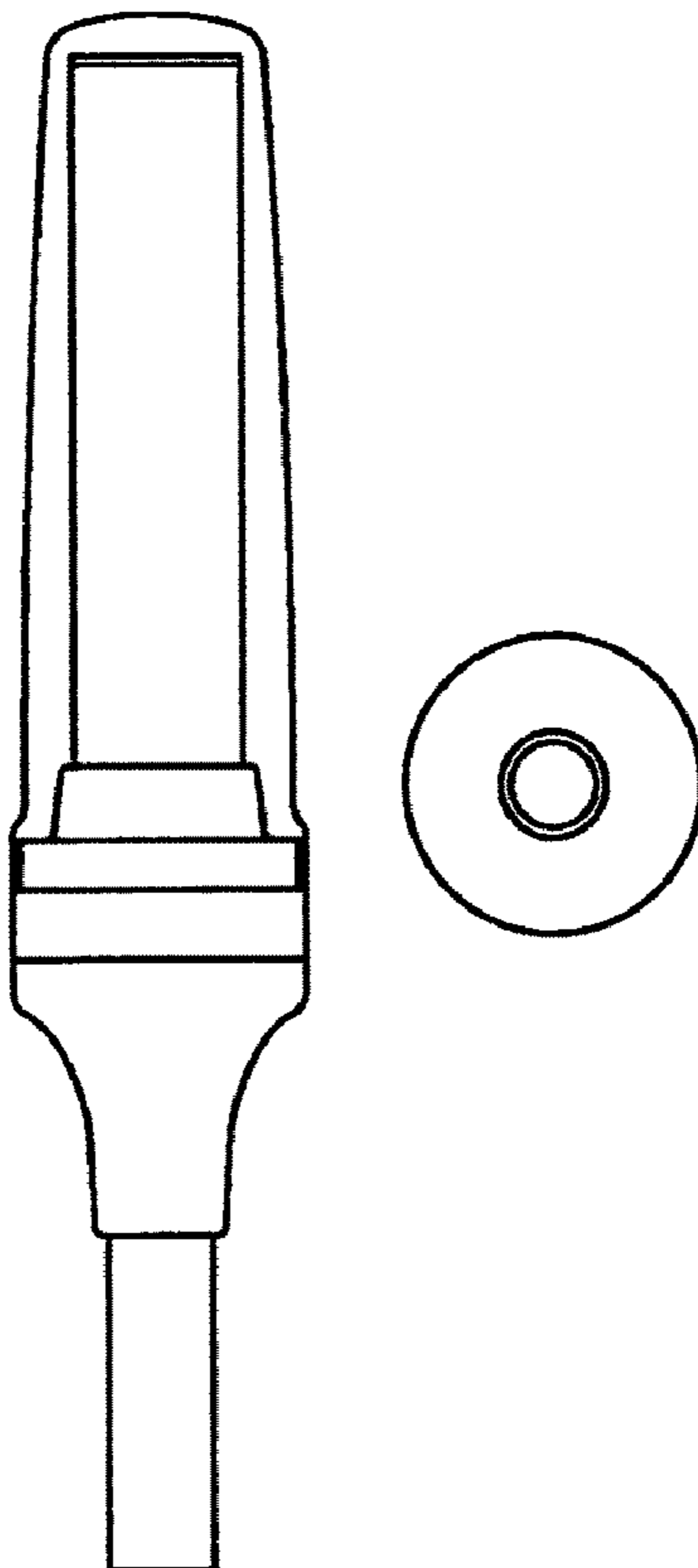


FIG. 1

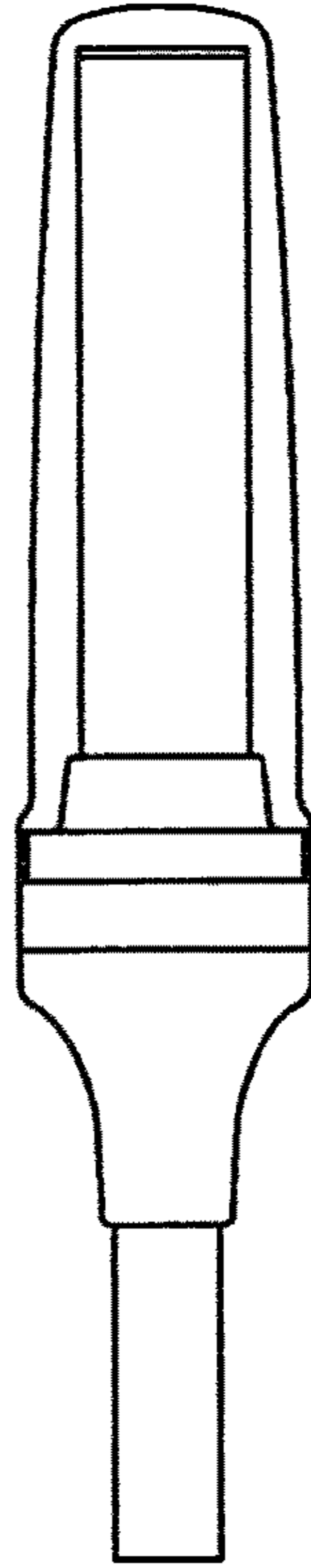


FIG. 2

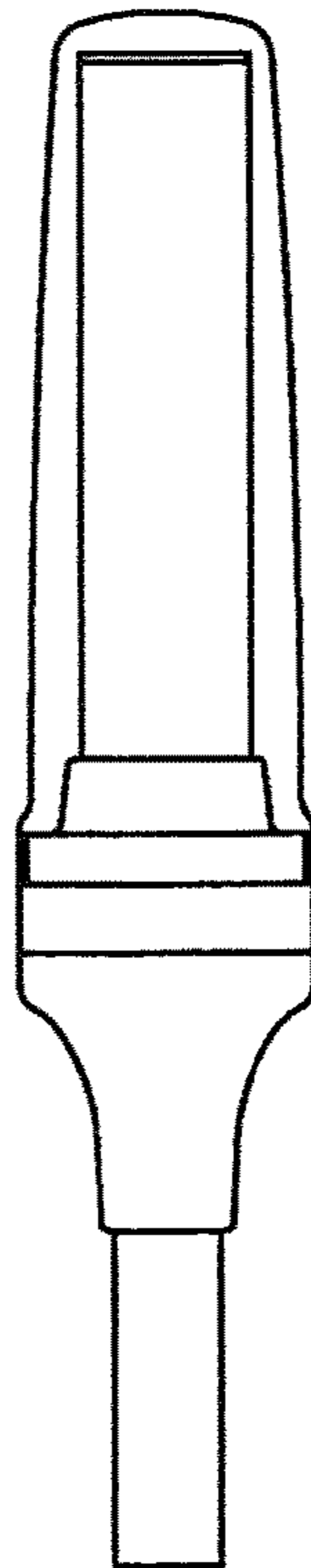


FIG. 3

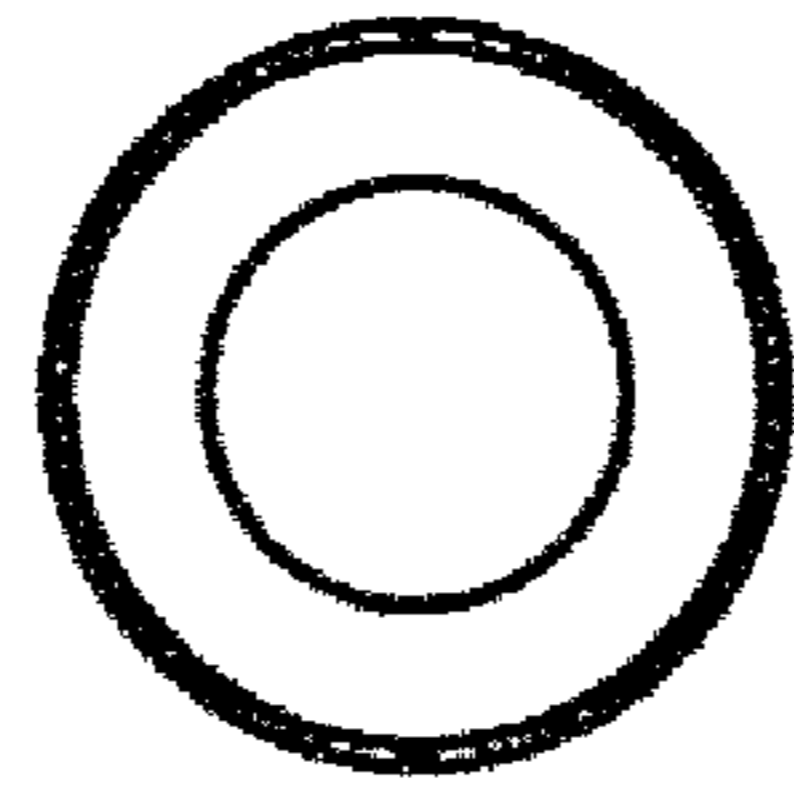


FIG. 4

