



US00D647811S

(12) **United States Design Patent**
Kim et al.

(10) **Patent No.:** **US D647,811 S**
(45) **Date of Patent:** **** Nov. 1, 2011**

(54) **REFLECTOR**

(75) Inventors: **Eunhwa Kim**, Seoul (KR); **Sungho Hong**, Seoul (KR)

(73) Assignee: **LG Innotek Co., Ltd.**, Seoul (KR)

(**) Term: **14 Years**

(21) Appl. No.: **29/391,151**

(22) Filed: **May 4, 2011**

(30) **Foreign Application Priority Data**

Nov. 19, 2010 (KR) 30-2010-0050039

(51) **LOC (9) Cl.** **10-05**

(52) **U.S. Cl.** **D10/111; D26/118**

(58) **Field of Classification Search** D10/109.1,
D10/111; D26/113, 118-124; 362/341,
362/346-350, 327, 328

See application file for complete search history.

(56) **References Cited**

U.S. PATENT DOCUMENTS

| | | | | | |
|-----------|------|---------|---------------|-------|---------|
| 1,120,963 | A * | 12/1914 | Mygatt | | 362/340 |
| D138,326 | S * | 7/1944 | Rambusch | | D12/317 |
| D214,939 | S * | 8/1969 | Arrigoni | | D26/120 |
| D281,355 | S * | 11/1985 | Fraley et al. | | D26/2 |
| D463,590 | S * | 9/2002 | Huang | | D26/36 |
| 6,603,243 | B2 * | 8/2003 | Parkyn et al. | | 313/113 |

| | | | | | |
|-----------|------|---------|----------------|-------|---------|
| D515,943 | S * | 2/2006 | Hamblin et al. | | D9/756 |
| 7,070,312 | B2 * | 7/2006 | Tatsukawa | | 362/545 |
| D556,364 | S * | 11/2007 | McDowell | | D26/118 |
| D569,543 | S * | 5/2008 | Toda | | D26/122 |
| 7,445,363 | B2 * | 11/2008 | Vanden Eynden | | 362/346 |
| D608,492 | S * | 1/2010 | Zaderej et al. | | D26/123 |
| D621,993 | S * | 8/2010 | Jong | | D26/118 |
| D622,440 | S * | 8/2010 | Briese | | D26/118 |

* cited by examiner

Primary Examiner — Caron D Veynar

Assistant Examiner — George D Kirschbaum

(74) *Attorney, Agent, or Firm* — Low Hauptman Ham & Berner LLP

(57) **CLAIM**

The ornamental design for a reflector, as shown and described.

DESCRIPTION

FIG. 1 is a perspective view of a reflector showing my/our new design;

FIG. 2 is a front elevational view thereof, a rear elevational view, a left side elevational view and a right side elevational view being identical;

FIG. 3 is a top plan view thereof;

FIG. 4 is a bottom plan view thereof; and,

FIG. 5 is a cross-sectional view taken along line 5-5 of FIG. 3.

1 Claim, 4 Drawing Sheets

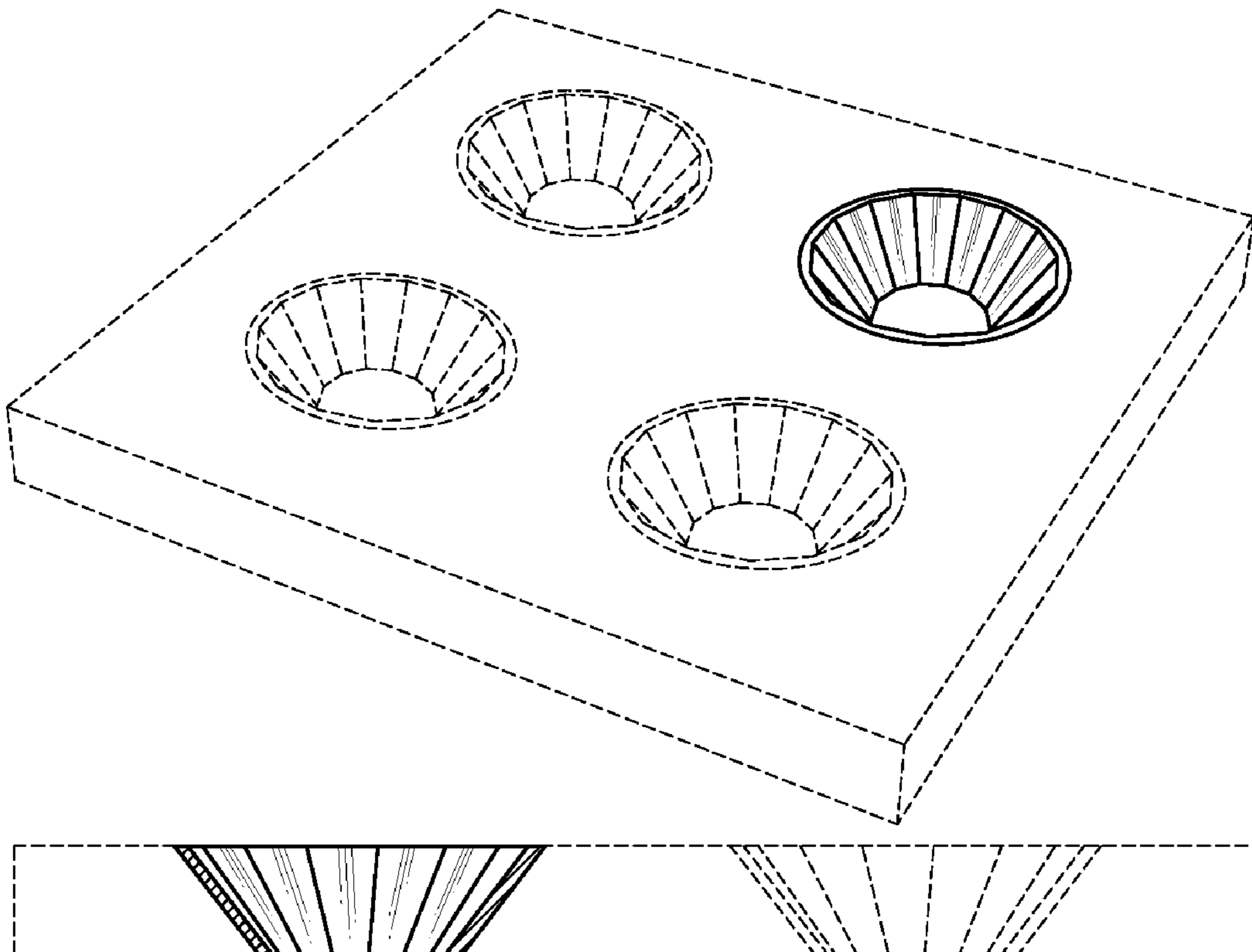


FIG. 1

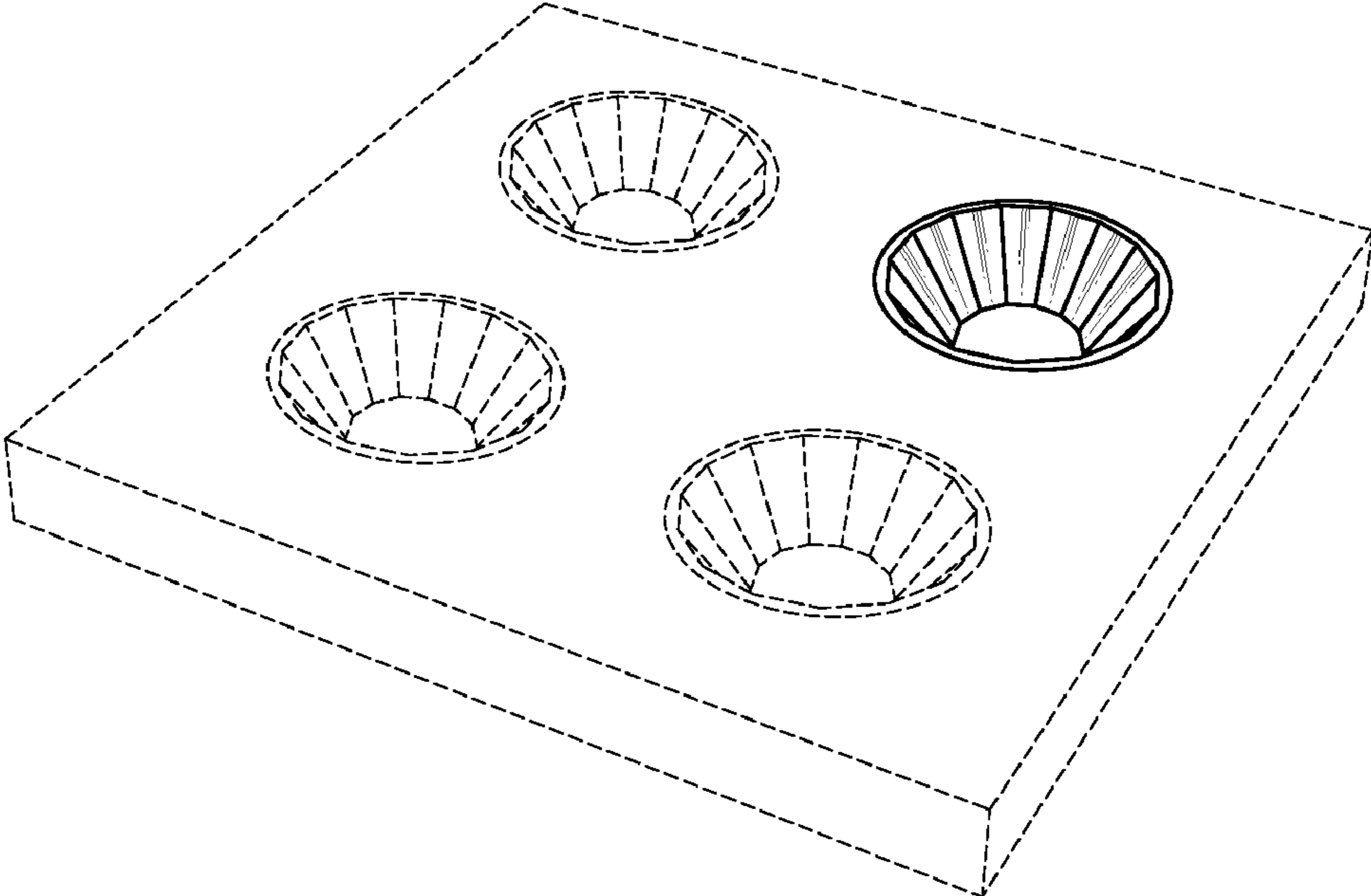


FIG. 2



FIG. 3

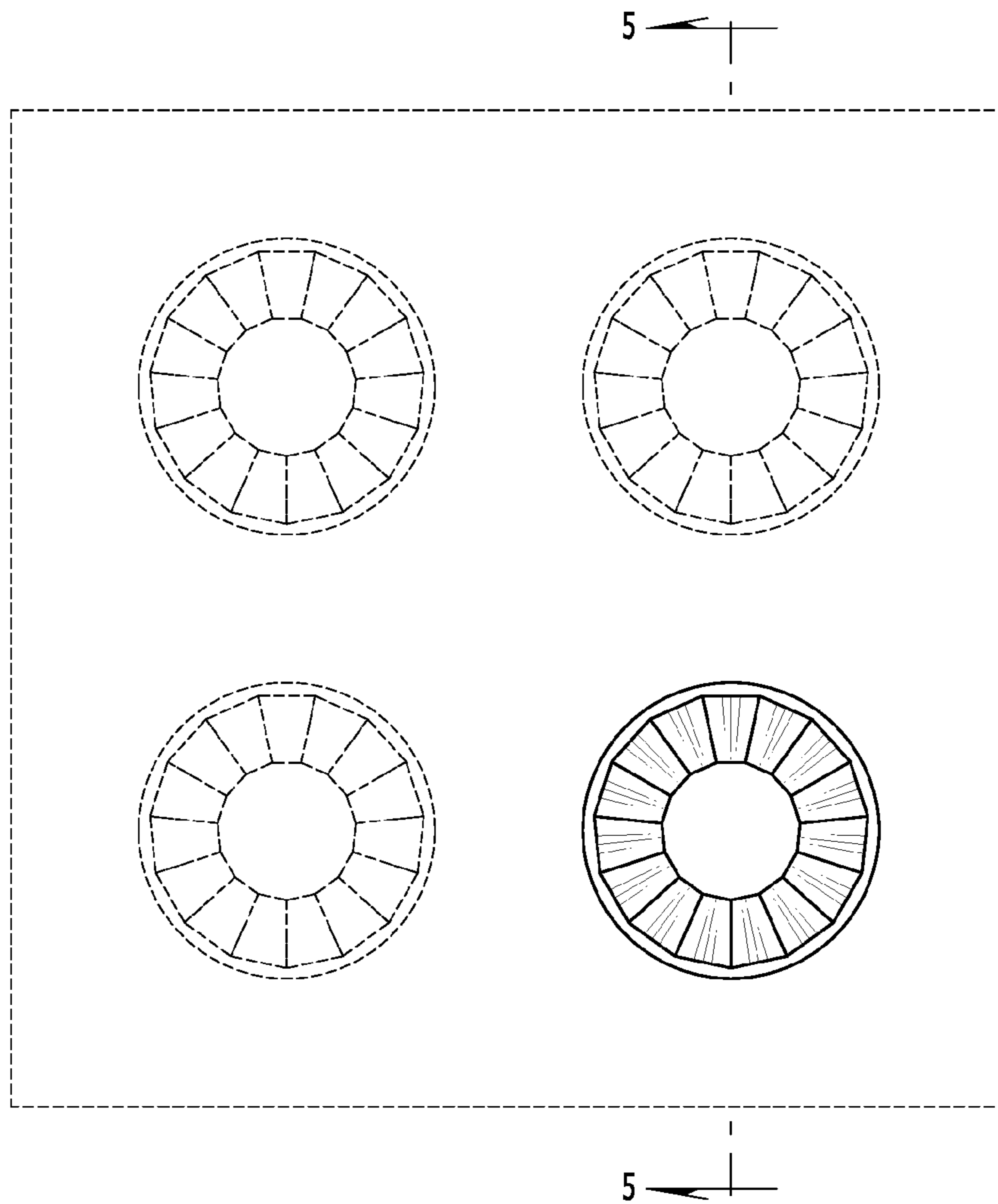


FIG. 4

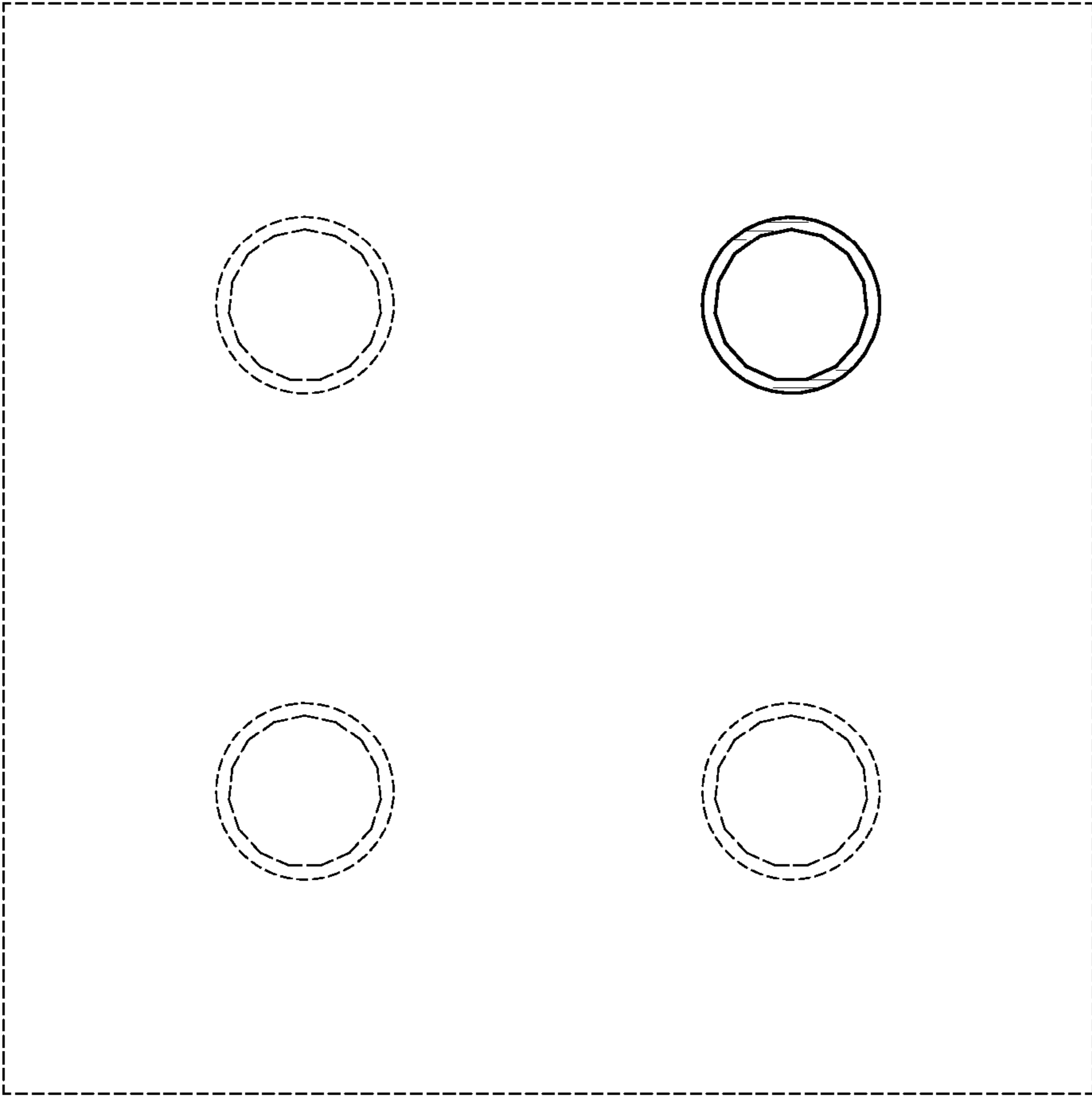


FIG. 5

