



US00D647810S

(12) **United States Design Patent**  
**Bohrer**

(10) **Patent No.:** **US D647,810 S**  
(45) **Date of Patent:** **\*\* Nov. 1, 2011**

(54) **KEY TAG**

(75) **Inventor:** **Jason Christopher Bohrer**, Ladera Ranch, CA (US)

(73) **Assignee:** **Assa Abloy AB (SE)**

(\*\*) **Term:** **14 Years**

(21) **Appl. No.:** **29/359,904**

(22) **Filed:** **Apr. 16, 2010**

(51) **LOC (9) Cl.** ..... **10-05**

(52) **U.S. Cl.** ..... **D10/106.9**

(58) **Field of Classification Search** ..... D10/106.9,  
D10/106.91; D8/354, 356, 364, 373, 380;  
D13/137.1, 137.2, 138.1; 340/572.8, 572.1,  
340/578.9, 568.1, 825.54

See application file for complete search history.

(56) **References Cited**

**U.S. PATENT DOCUMENTS**

5,617,751 A \* 4/1997 Song ..... 70/456 R  
D431,341 S \* 9/2000 DiPaolo et al. .... D99/34  
6,248,451 B1 \* 6/2001 Smith ..... 428/542.2  
D500,808 S \* 1/2005 Howard ..... D20/28

D548,956 S \* 8/2007 Rimon ..... D3/207  
D635,483 S \* 4/2011 Charles et al. .... D11/79  
2010/0328071 A1 \* 12/2010 Schmidt et al. .... 340/568.1

**FOREIGN PATENT DOCUMENTS**

RU 52821 4/2006

**OTHER PUBLICATIONS**

Official Action with English translation for Russia Patent Application No. 2010503049, issued May 16, 2011 5 pages.

\* cited by examiner

*Primary Examiner* — Caron D Veynar

*Assistant Examiner* — George D Kirschbaum

(74) *Attorney, Agent, or Firm* — Sheridan Ross P.C.

(57) **CLAIM**

The ornamental design for a key tag, as shown and described.

**DESCRIPTION**

FIG. 1 is a perspective view of a key tag;

FIG. 2 is a front plan view thereof;

FIG. 3 is a right side elevational view thereof;

FIG. 4 is a left side elevational view thereof;

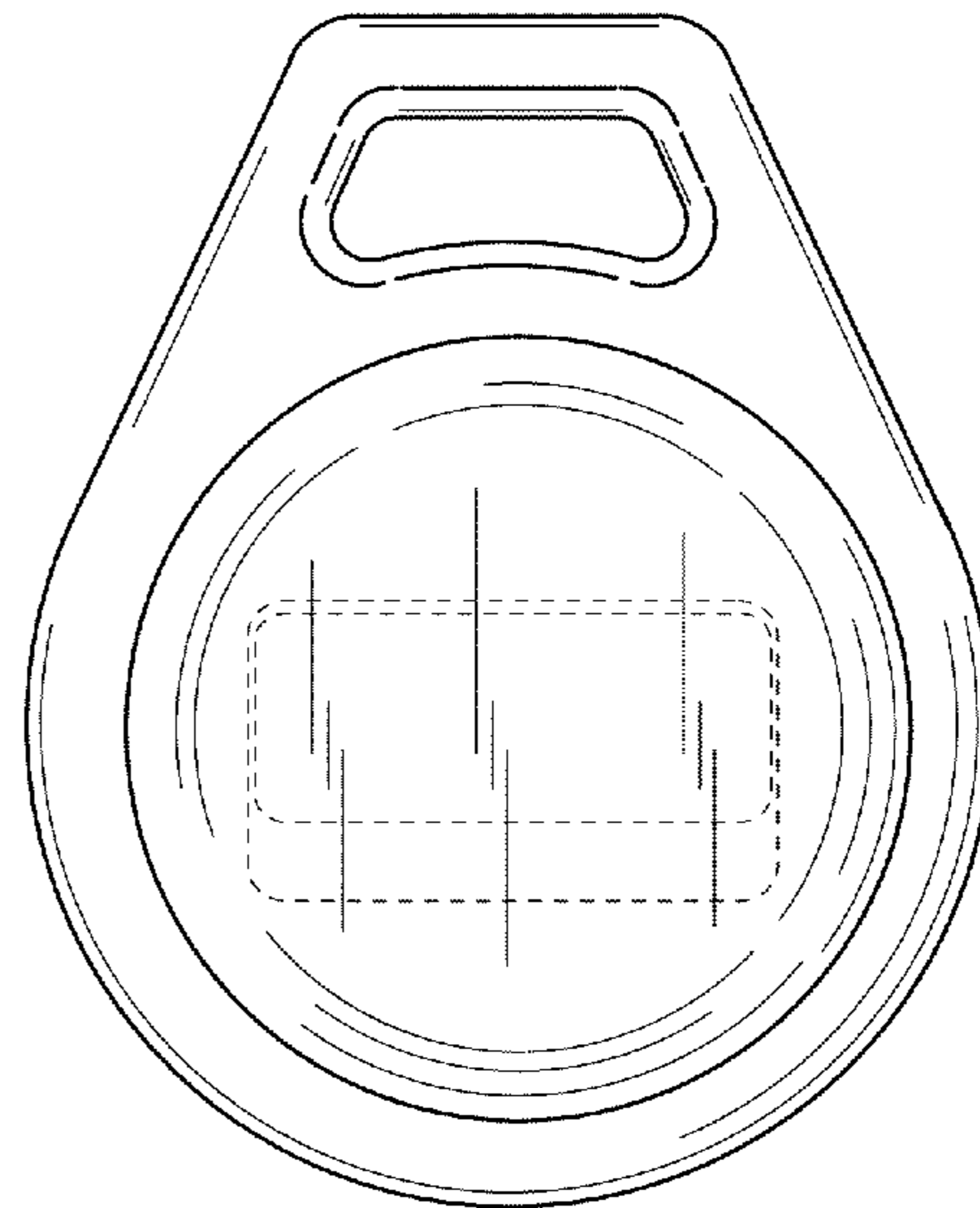
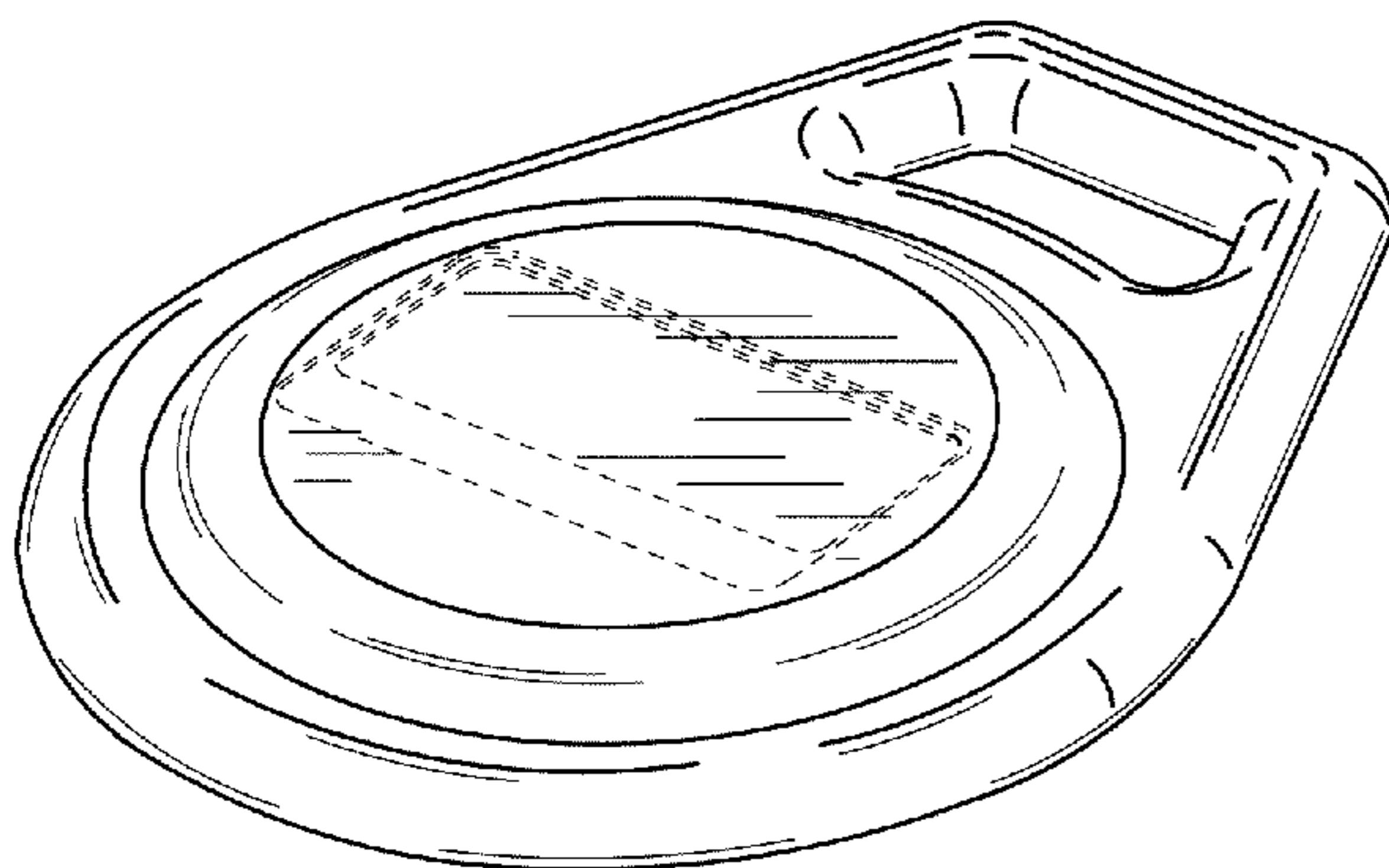
FIG. 5 is a top elevational view thereof;

FIG. 6 is a bottom elevational view thereof; and,

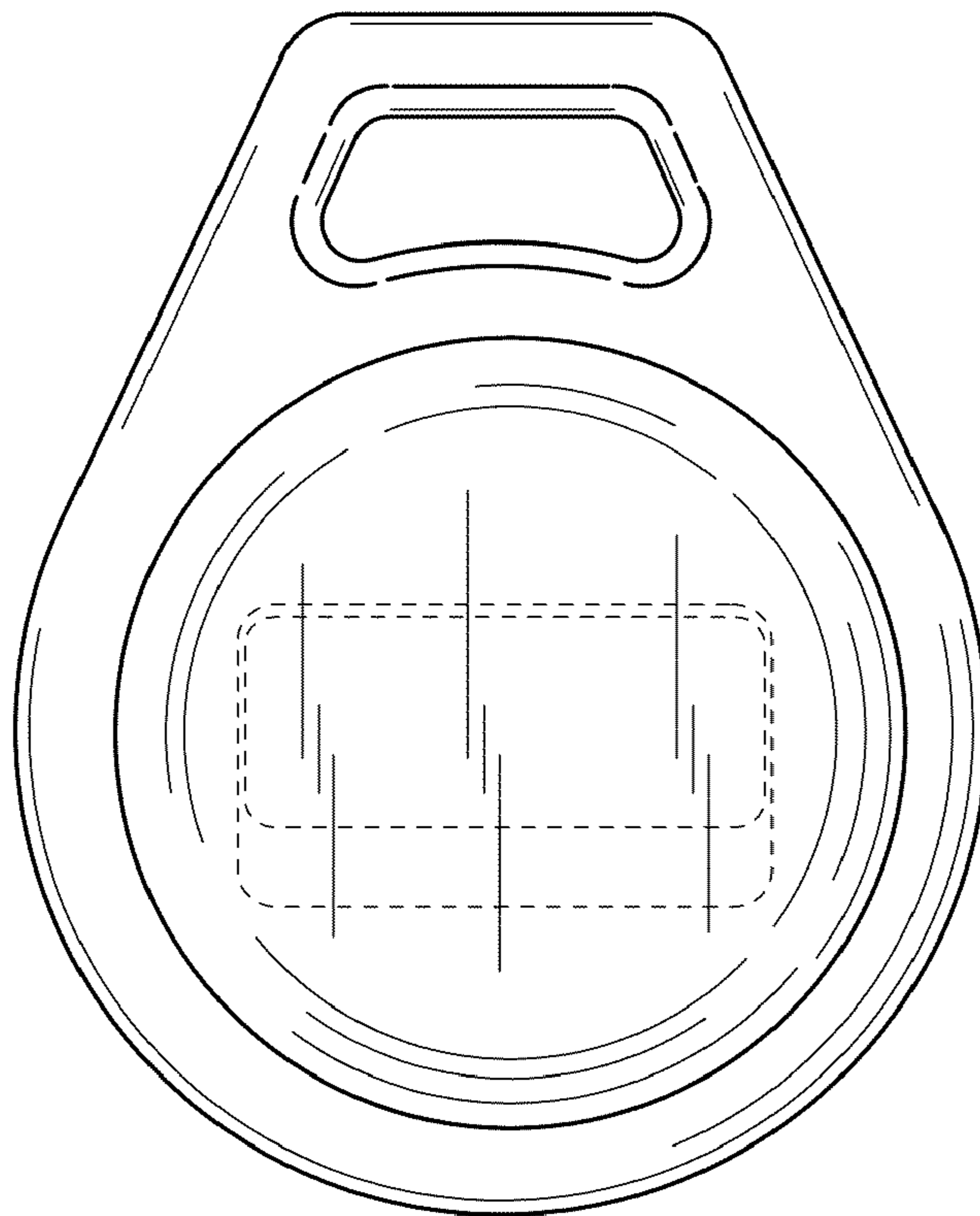
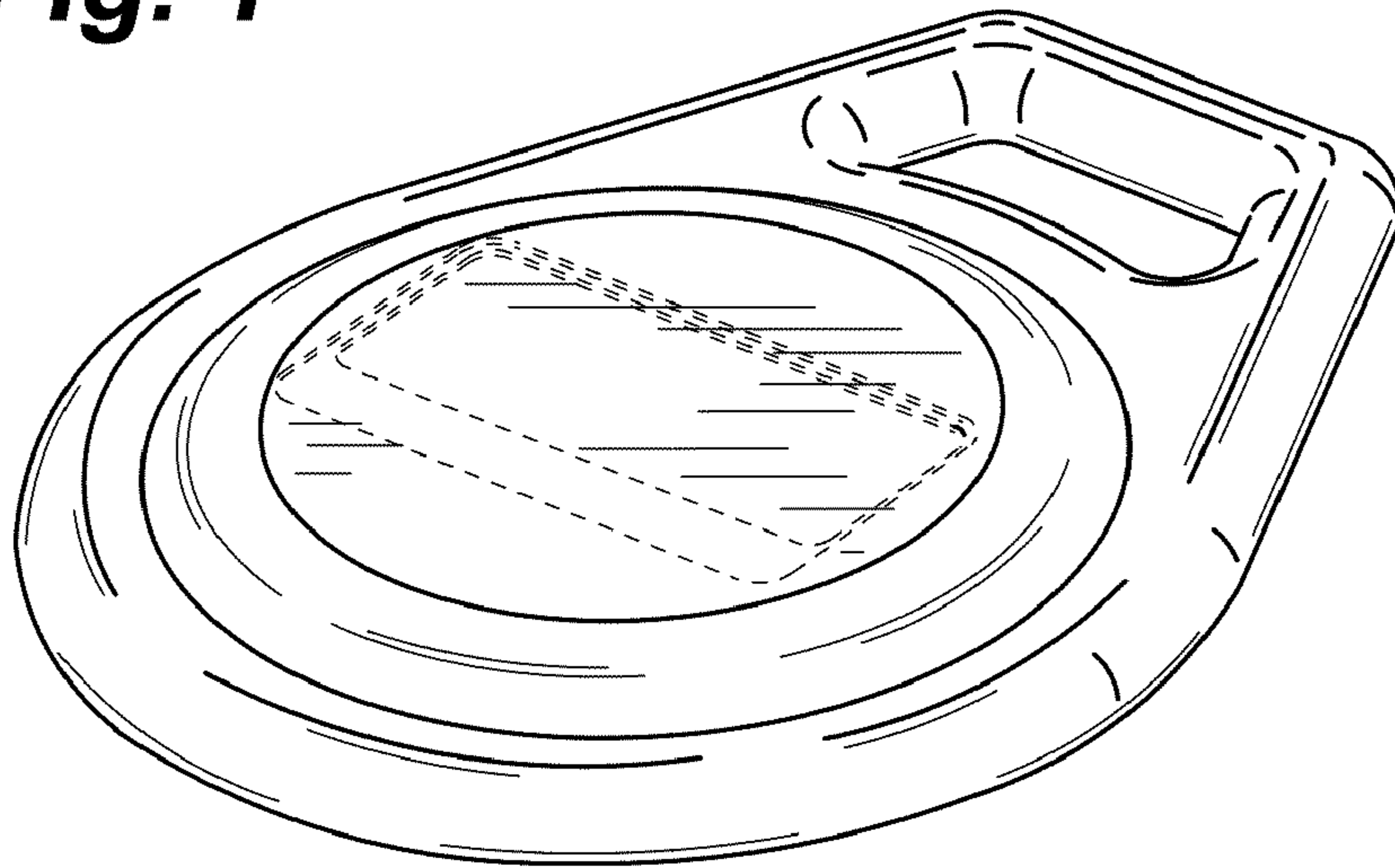
FIG. 7 is a back plan view thereof.

The portions of the key tag illustrated in broken lines form no part of the claimed design.

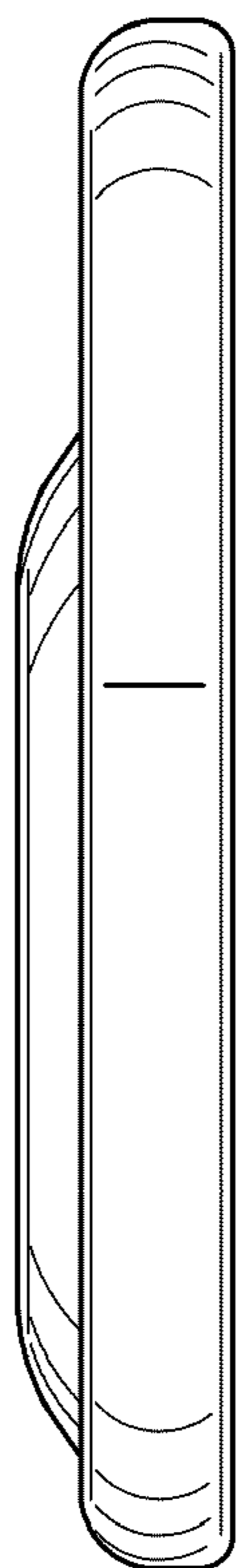
**1 Claim, 3 Drawing Sheets**



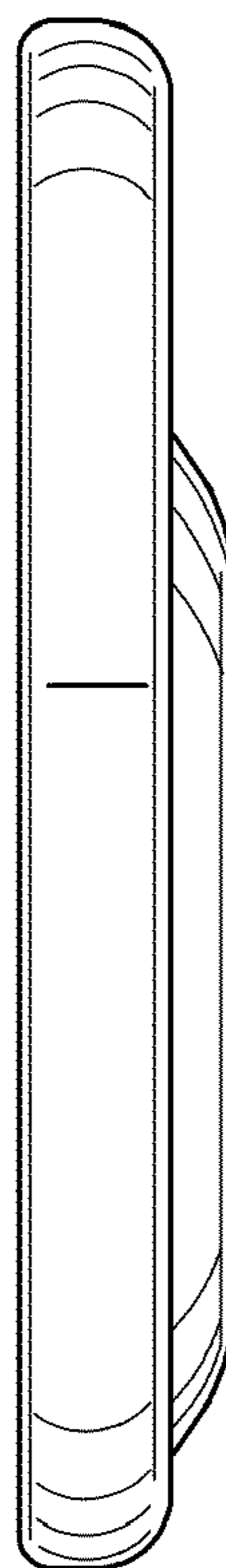
**Fig. 1**



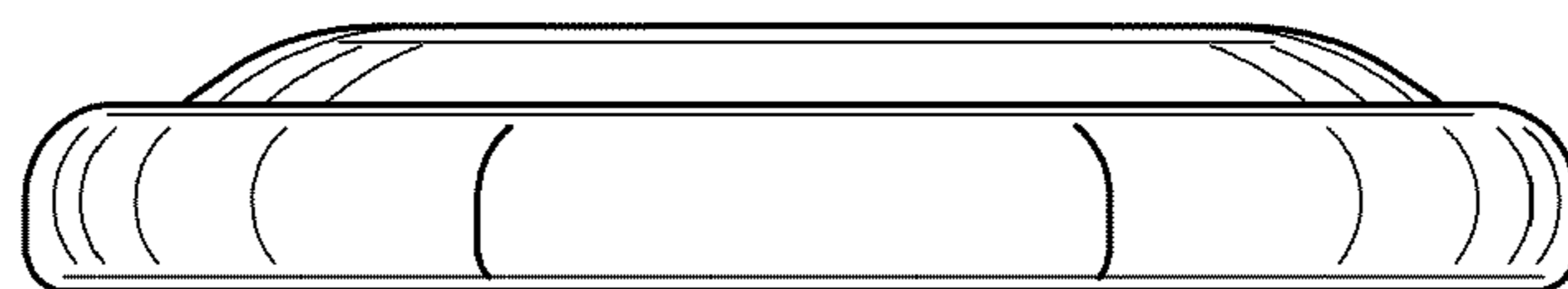
**Fig. 2**



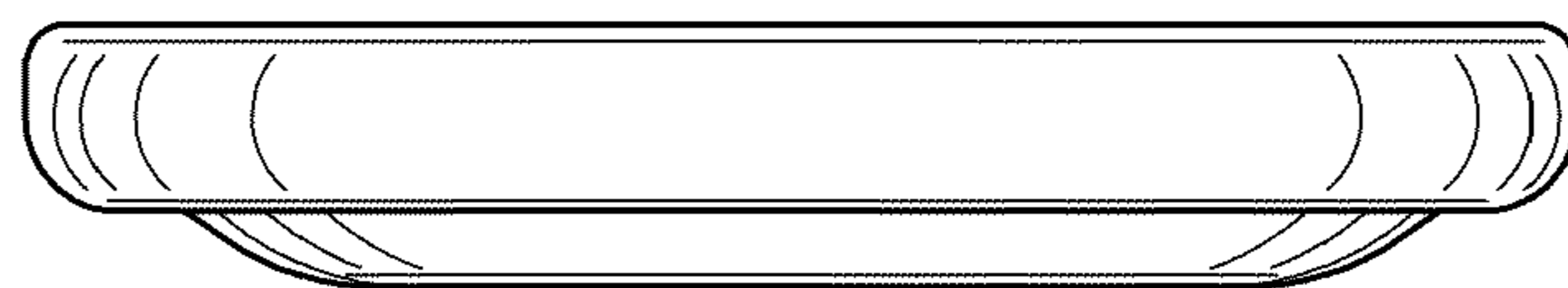
**Fig. 3**



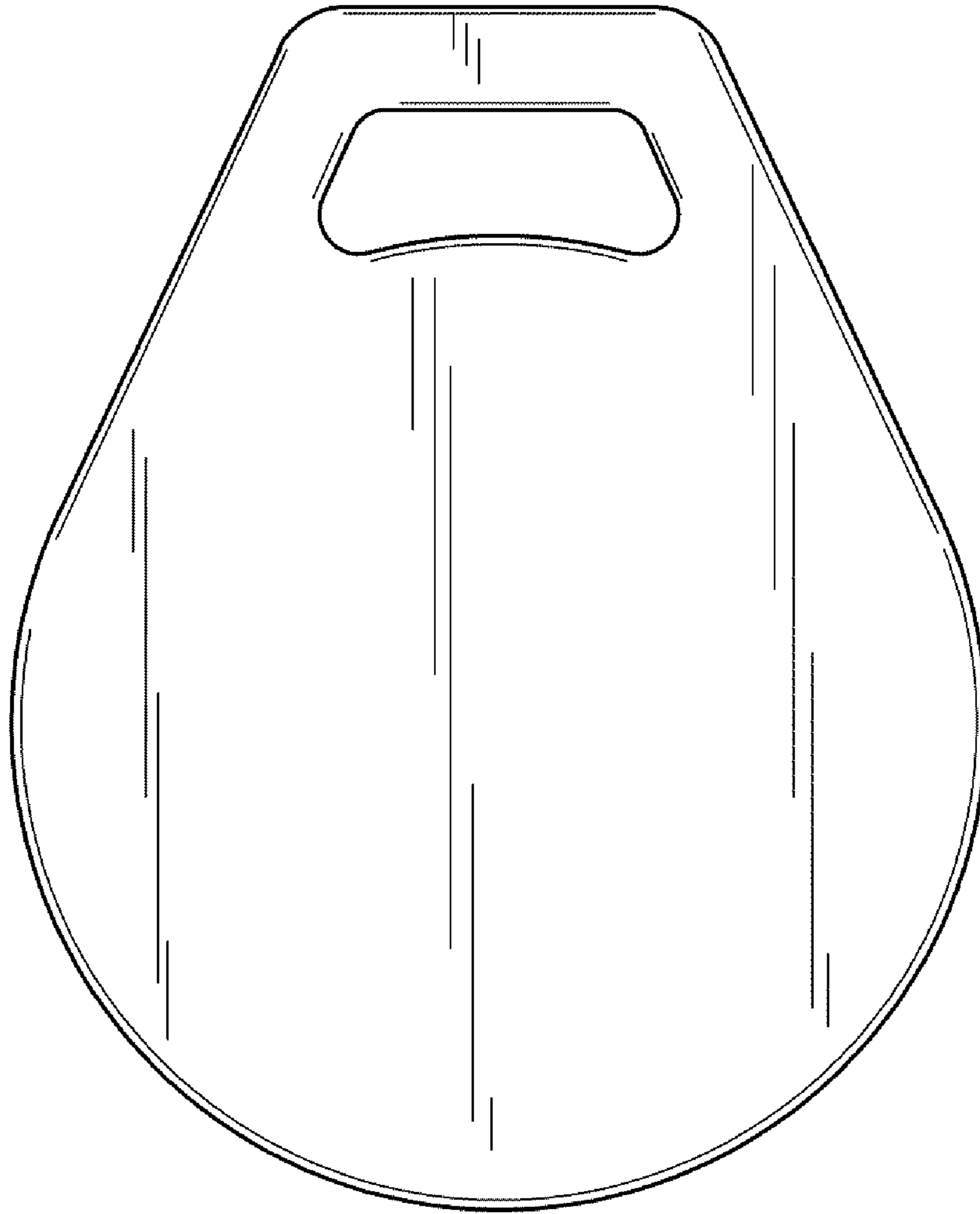
**Fig. 4**



**Fig. 5**



**Fig. 6**



***Fig. 7***