



US00D647808S

(12) **United States Design Patent**
Giroud

(10) **Patent No.:** **US D647,808 S**

(45) **Date of Patent:** **** Nov. 1, 2011**

(54) **WATCH CASE**

(75) **Inventor:** **Eric Giroud**, Geneva (CH)

(73) **Assignee:** **Van Cleef & Arpels SA**,
Villars-sur-Glane (CH)

(**) **Term:** **14 Years**

(21) **Appl. No.:** **29/396,866**

(22) **Filed:** **Jul. 8, 2011**

(30) **Foreign Application Priority Data**

Jan. 10, 2011 (WO) DM/075 153

(51) **LOC (9) Cl.** **10-02**

(52) **U.S. Cl.** **D10/38**

(58) **Field of Classification Search** D10/30-39;
368/276, 281, 282, 285

See application file for complete search history.

(56) **References Cited**

U.S. PATENT DOCUMENTS

D289,503	S	*	4/1987	Ludvig et al.	D10/39
D289,615	S	*	5/1987	Thomke	D10/39
D296,991	S	*	8/1988	Lauper	D10/30
4,970,708	A	*	11/1990	Gagnebin et al.	368/300
D314,153	S	*	1/1991	Ratajski	D10/32
D315,311	S	*	3/1991	Ratajski	D10/32
D319,027	S	*	8/1991	Burgener	D10/39

D324,828	S	*	3/1992	Wunderman	D10/32
D326,232	S	*	5/1992	Kurebayashi	D10/39
5,373,484	A	*	12/1994	Rappo et al.	368/282
5,398,218	A	*	3/1995	Munnier et al.	368/282
5,416,953	A	*	5/1995	Hui	24/265 WS
D378,355	S	*	3/1997	Charriol	D10/30
D386,984	S	*	12/1997	Kubisch	D10/39
D448,311	S	*	9/2001	Sciacca	D10/39
D464,275	S	*	10/2002	Bulgari	D10/39

FOREIGN PATENT DOCUMENTS

JP 04213093 A * 8/1992

* cited by examiner

Primary Examiner — Lucy Lieberman

(74) *Attorney, Agent, or Firm* — The Nath Law Group;
Derek Richmond

(57) **CLAIM**

The ornamental design for a watch case, as shown and described.

DESCRIPTION

FIG. 1 is a front view of a watch case showing my new design;
FIG. 2 is a left side view of the watch case;
FIG. 3 is a right view of the watch case;
FIG. 4 is a rear view of the watch case;
FIG. 5 is a bottom view of the watch case;
FIG. 6 is a top view of the watch case; and,
FIG. 7 is a perspective view of the watch case.

1 Claim, 7 Drawing Sheets

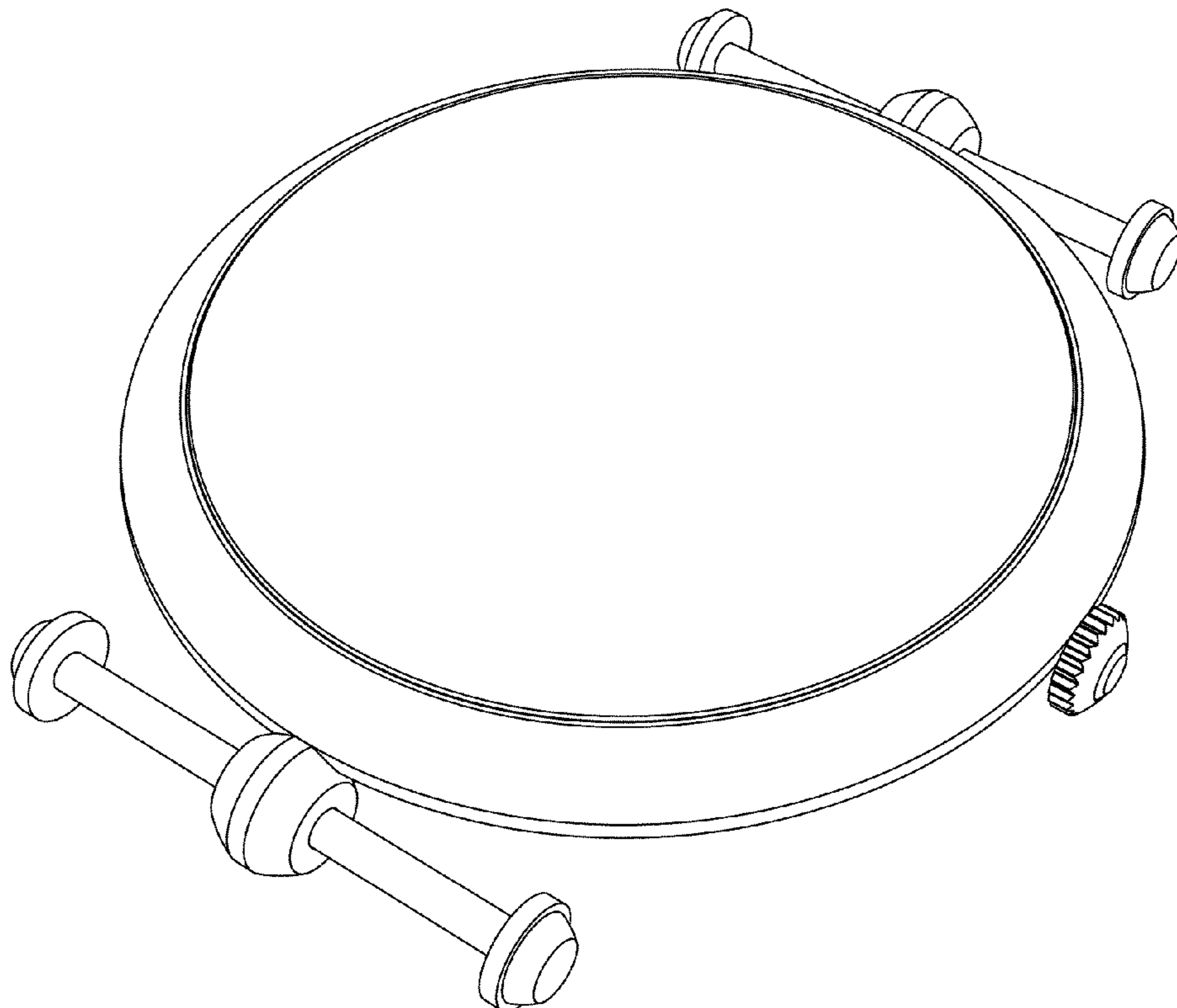


Fig. 1

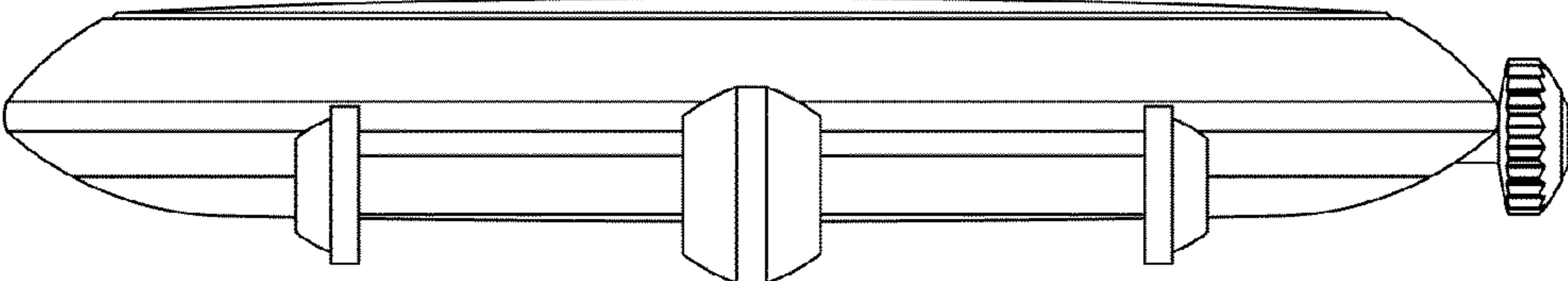


Fig. 2

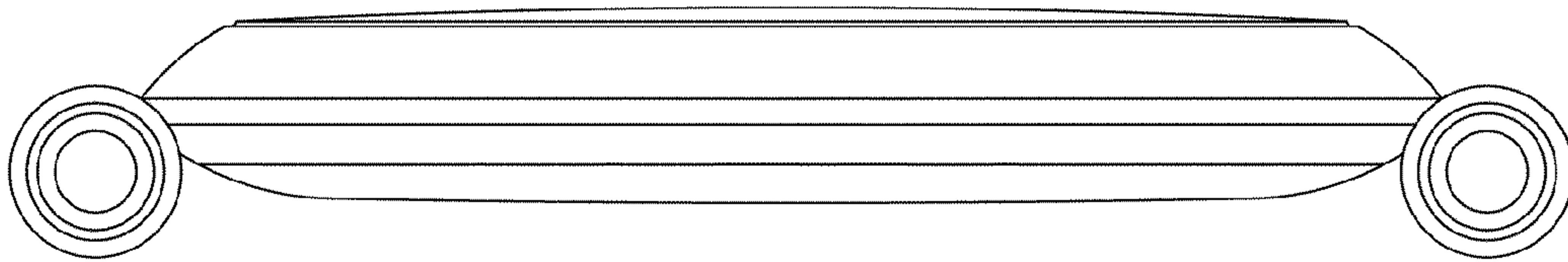


Fig. 3

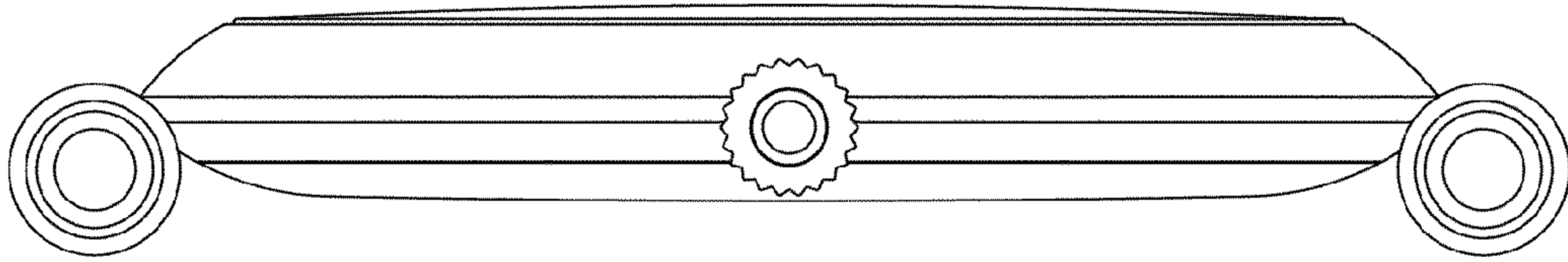


Fig. 4

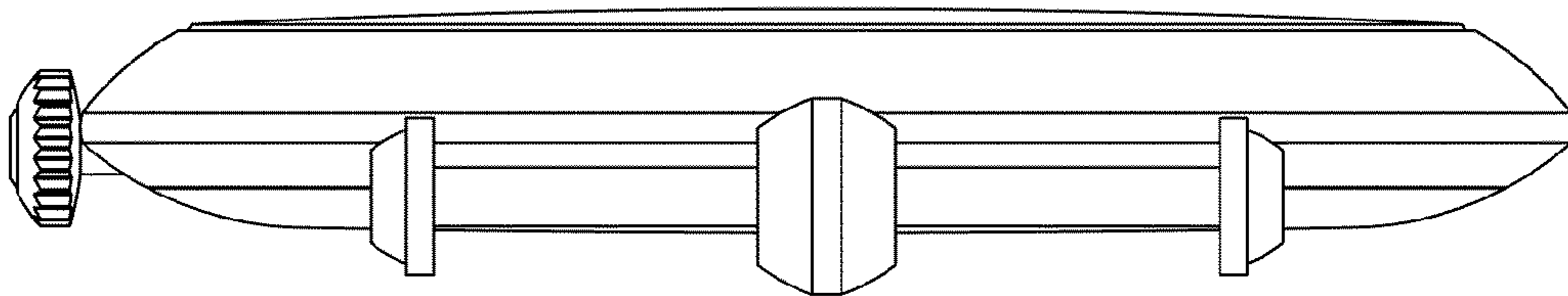


Fig. 5

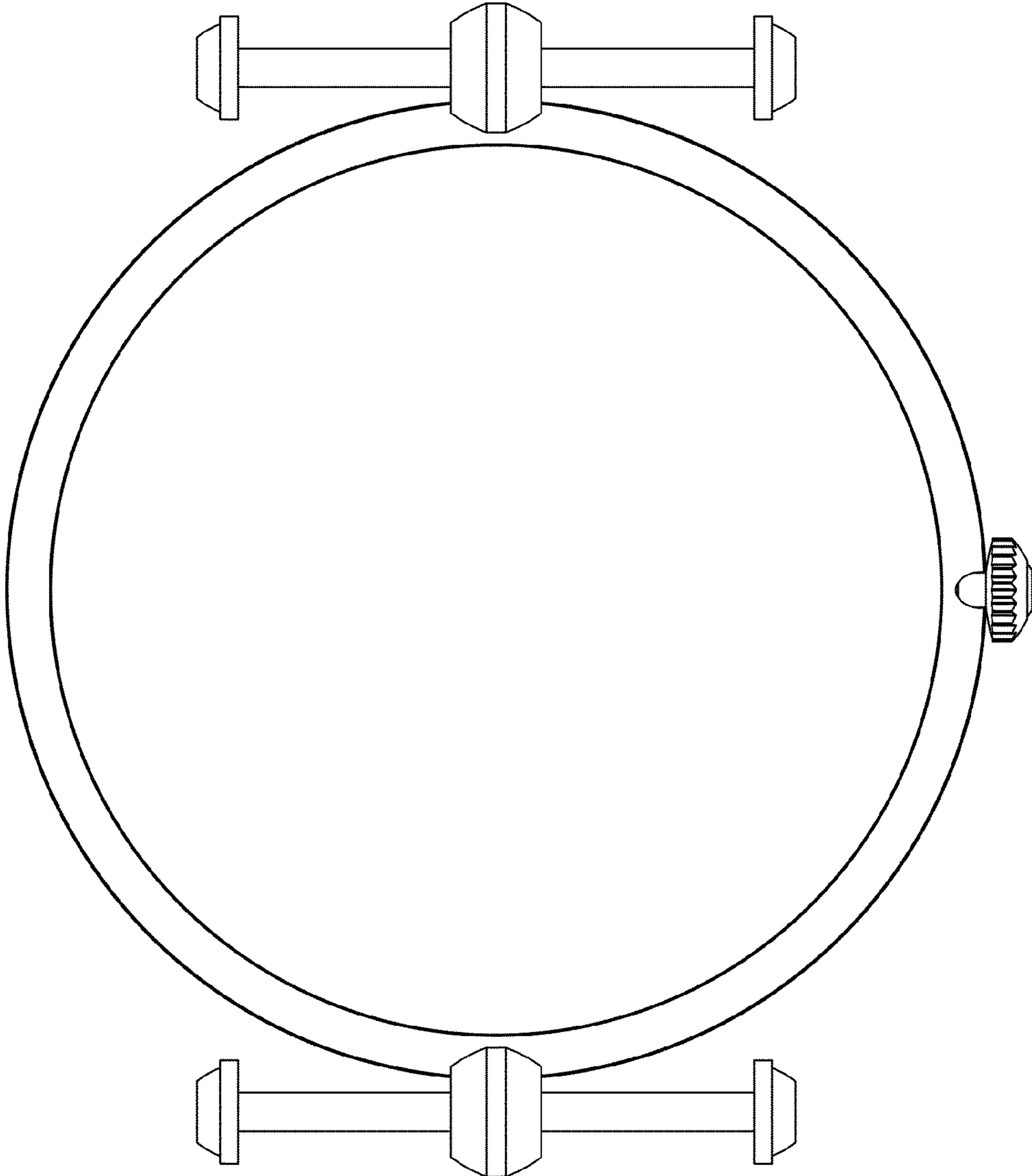


Fig. 6

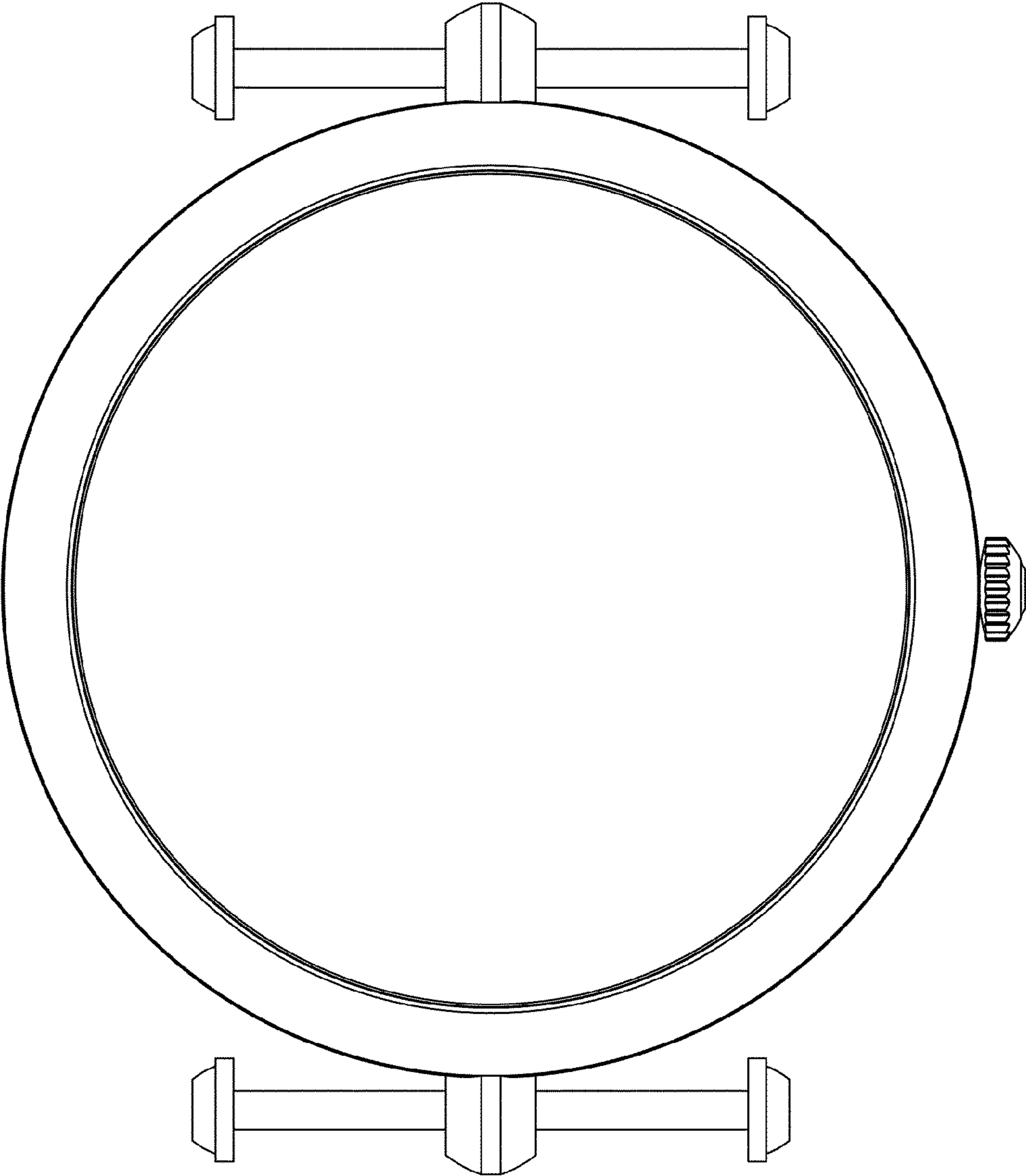


Fig. 7

