



US00D647803S

(12) **United States Design Patent**
Regas

(10) **Patent No.:** **US D647,803 S**

(45) **Date of Patent:** **** Nov. 1, 2011**

(54) **BEVERAGE CONTAINER**

(76) Inventor: **John P. Regas**, Laguna Niguel, CA (US)

(**) Term: **14 Years**

(21) Appl. No.: **29/303,771**

(22) Filed: **Feb. 15, 2008**

(51) **LOC (9) Cl.** **09-01**

(52) **U.S. Cl.** **D9/516; D9/560**

(58) **Field of Classification Search** D9/516,
D9/520, 544, 546, 560, 563, 566, 572, 573,
D9/574; 215/381-385; 220/600, 608, 660,
220/669, 675

See application file for complete search history.

(56) **References Cited**

U.S. PATENT DOCUMENTS

1,611,443	A	*	12/1926	Hothersall	222/542
D83,658	S	*	3/1931	Becker	D9/546
D91,677	S	*	3/1934	Luly	D9/542
D93,678	S	*	10/1934	Saiker	D9/542
D203,884	S	*	2/1966	Wood	D9/542
D229,889	S	*	1/1974	Brody	D9/542
4,196,808	A	*	4/1980	Pardo	206/432
D260,733	S	*	9/1981	Meyer et al.	D9/572
D269,067	S	*	5/1983	Ballereaud	D9/560
4,949,861	A	*	8/1990	Cochran	215/42
D339,291	S	*	9/1993	Leigner	D9/520
5,544,768	A	*	8/1996	Gargione	215/209
D590,716	S	*	4/2009	Blank	D9/542
D595,141	S	*	6/2009	Rica	D9/544
D598,291	S	*	8/2009	Serrano Diaz	D9/542

D601,024	S	*	9/2009	Rica	D9/516
D603,716	S	*	11/2009	Rica	D9/560
D603,717	S	*	11/2009	Rica	D9/560
D604,174	S	*	11/2009	Rica	D9/560
D604,175	S	*	11/2009	Rica	D9/560
D605,055	S	*	12/2009	Serrano Diaz	D9/560
D606,884	S	*	12/2009	Weggelaar	D9/740
D613,177	S	*	4/2010	Lee	D9/560
D614,494	S	*	4/2010	Palmer et al.	D9/516
D614,958	S	*	5/2010	Smith et al.	D9/516
D628,073	S	*	11/2010	Miller et al.	D9/516
D628,896	S	*	12/2010	Smith et al.	D9/542
D635,859	S	*	4/2011	Kissinger et al.	D9/516

* cited by examiner

Primary Examiner — Elizabeth J Oswecki

(74) *Attorney, Agent, or Firm* — Kent M Walker, Esq.

(57) **CLAIM**

The ornamental design for a beverage container, as shown and described.

DESCRIPTION

FIG. 1 is a perspective view of a beverage container showing my new design;
FIG. 2 is a front elevational view thereof;
FIG. 3 is a rear elevational view thereof;
FIG. 4 is a left side elevational view thereof, the right side elevational view being a mirror image thereof;
FIG. 5 is a top plan view thereof; and,
FIG. 6 is a bottom plan view thereof.
The broken lines shown in the drawings form no part of the claimed design.

1 Claim, 5 Drawing Sheets



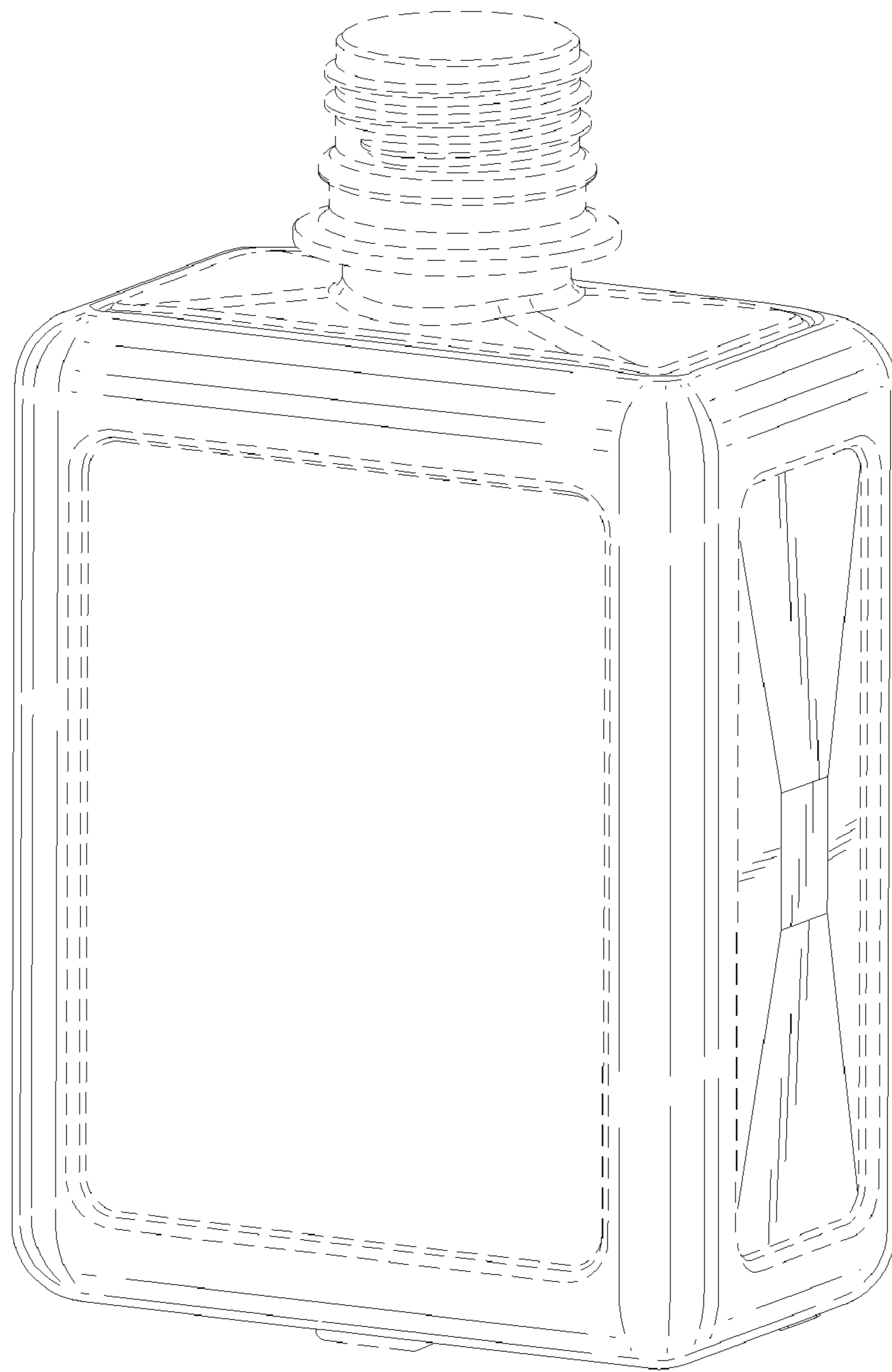


FIG. 1

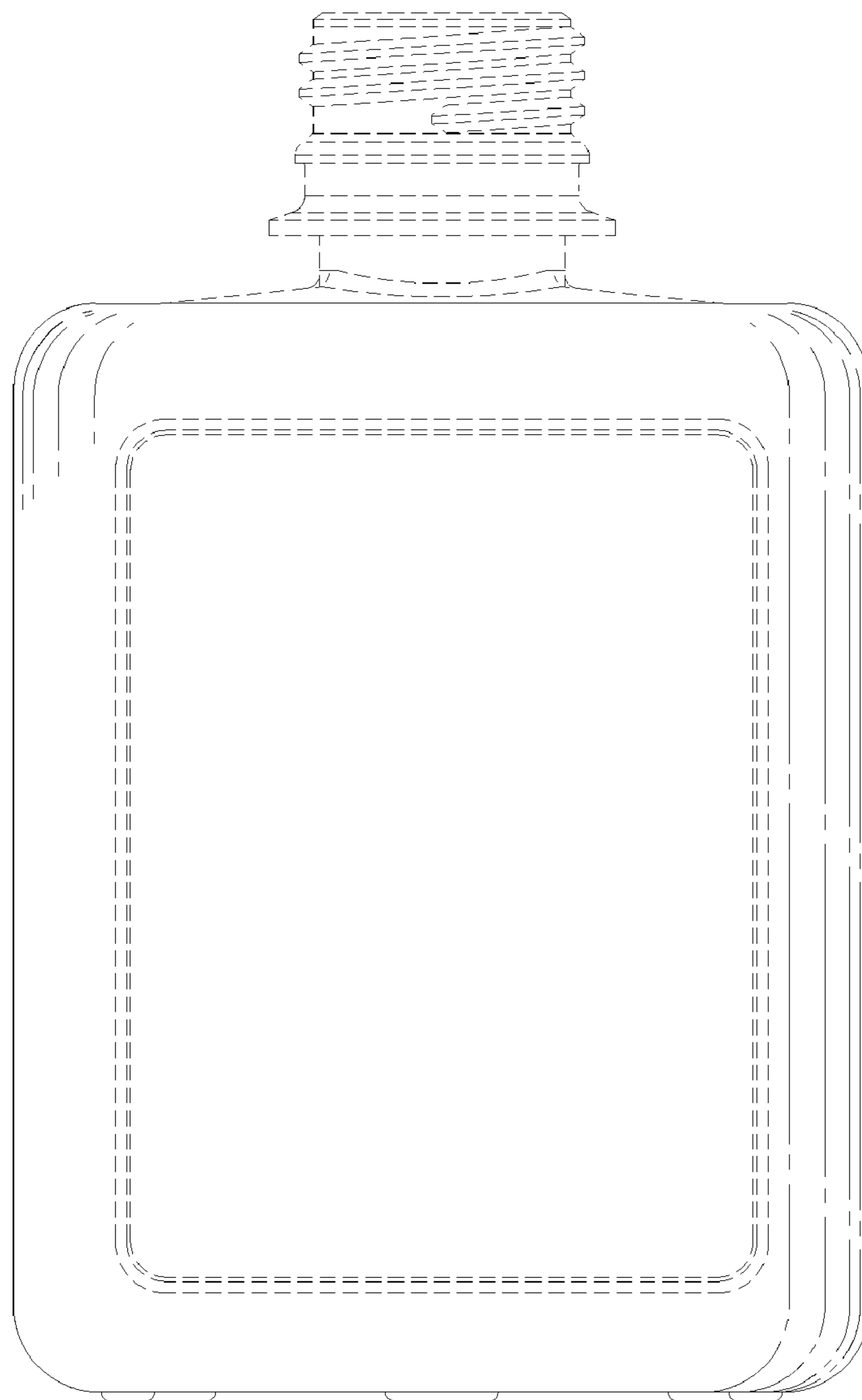


FIG. 2

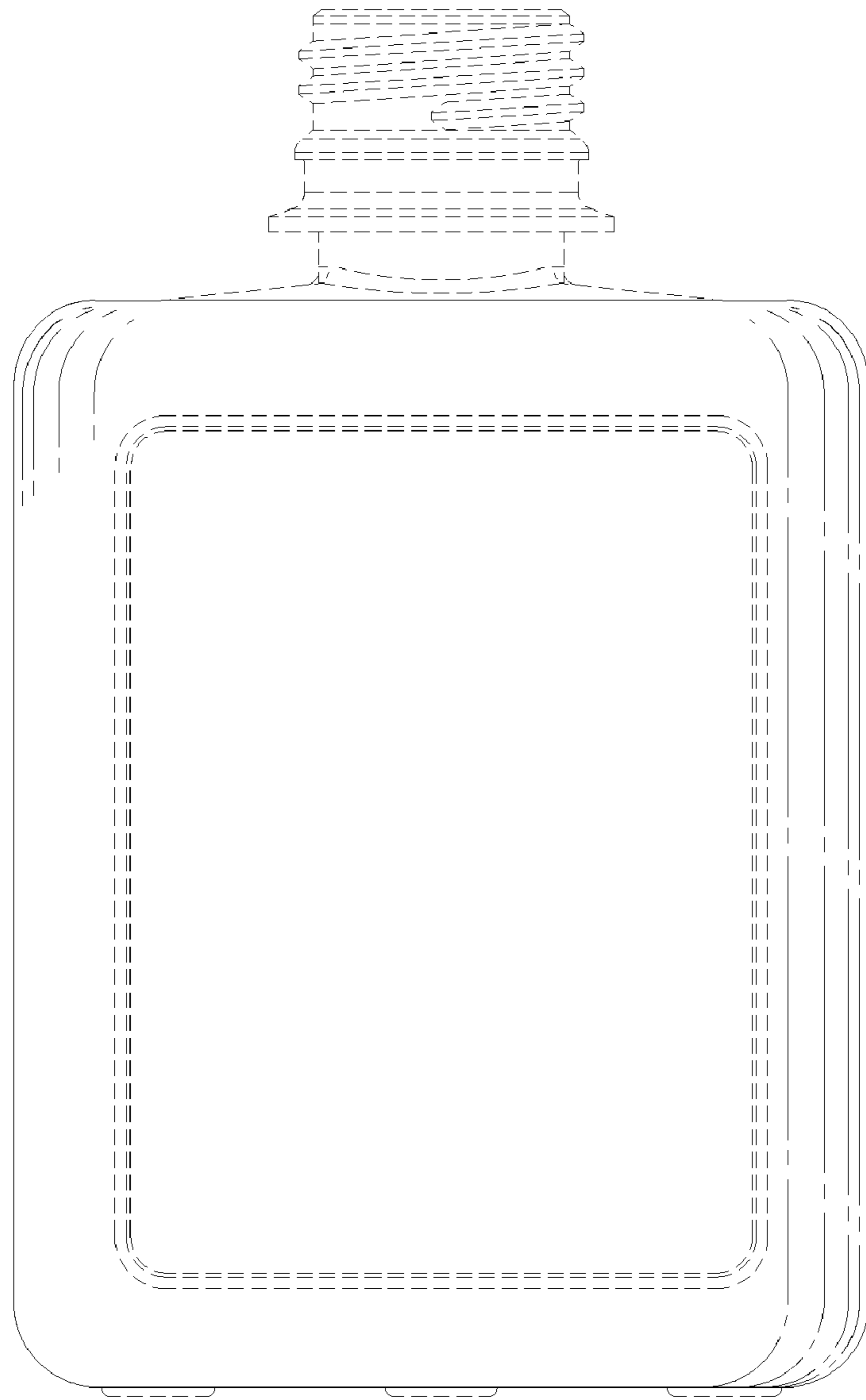


FIG. 3

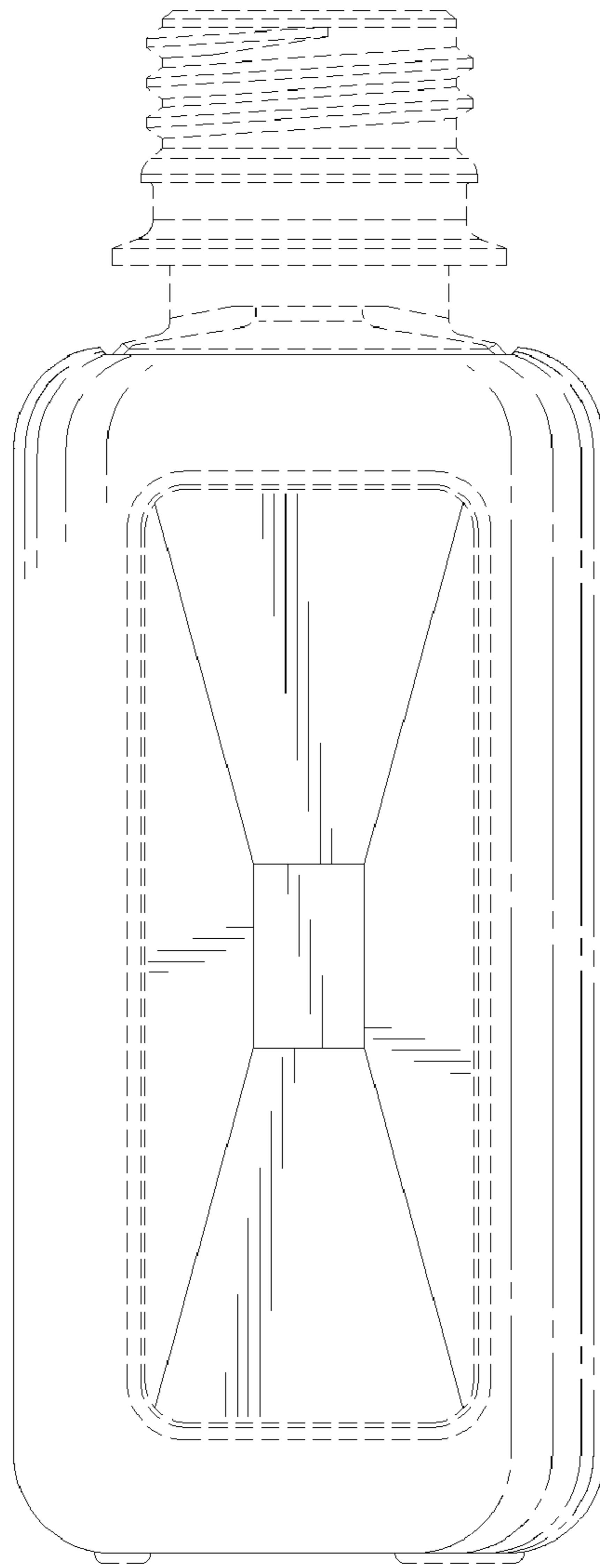


FIG. 4

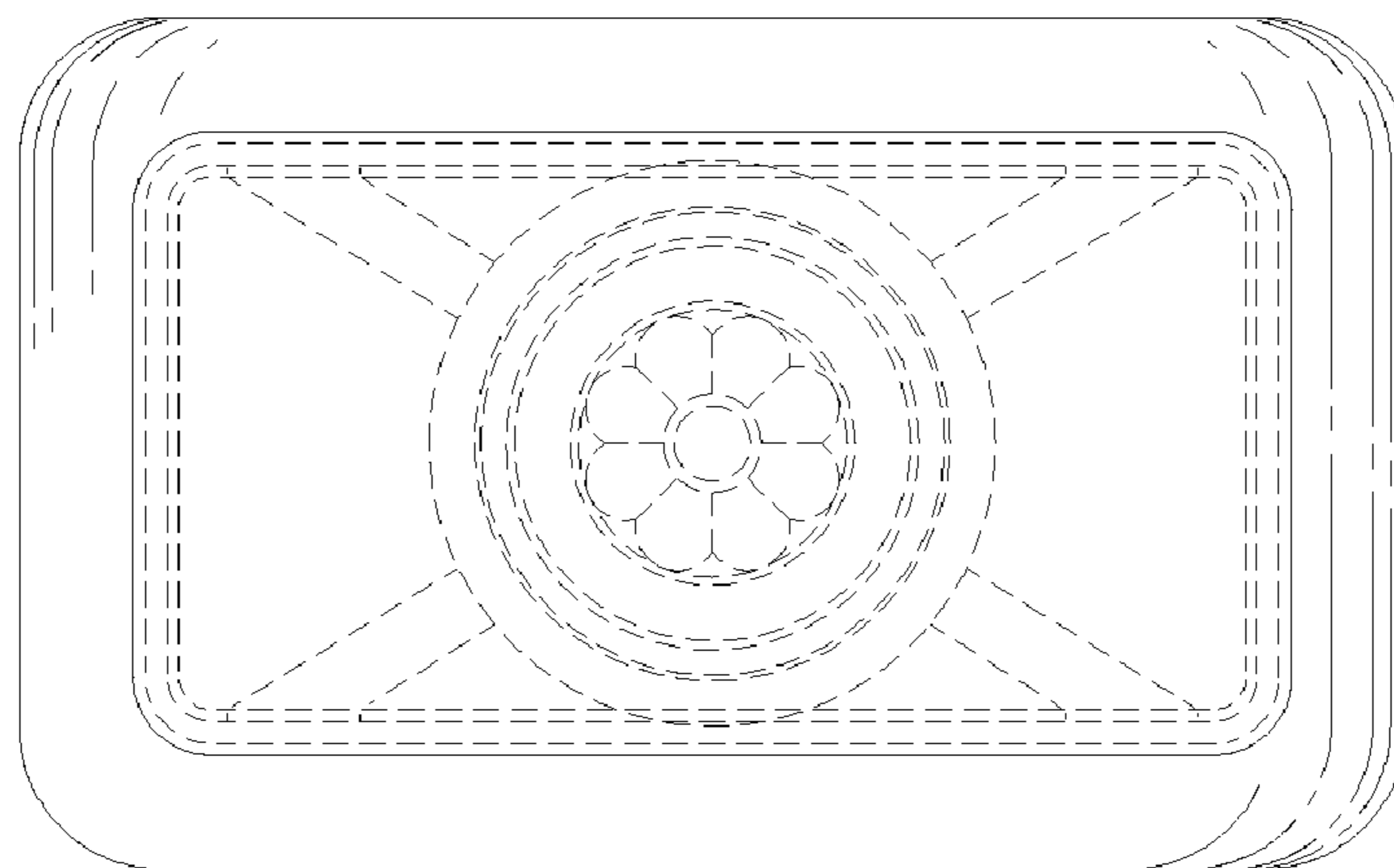


FIG. 5

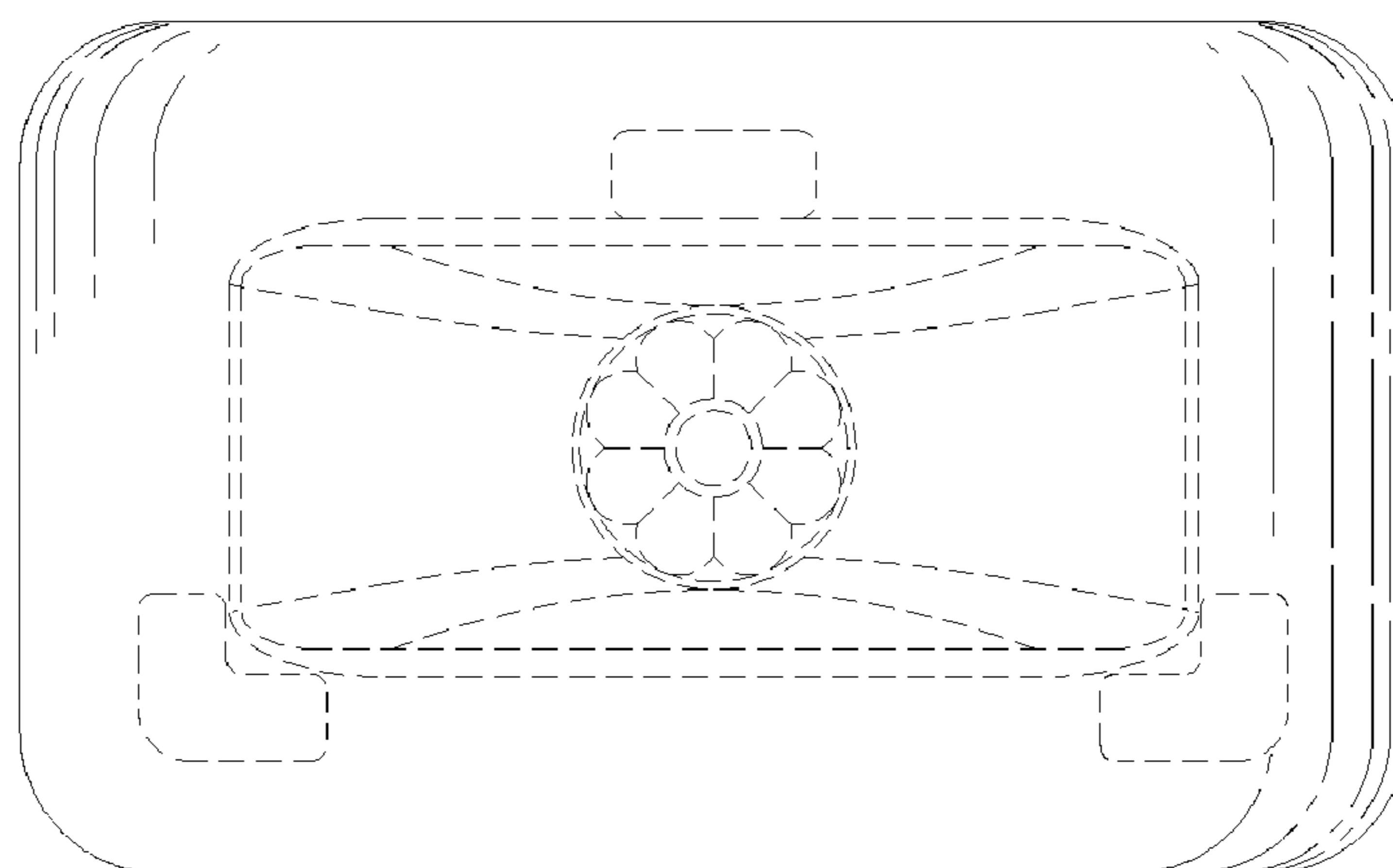


FIG. 6