



US00D647795S

(12) **United States Design Patent**
Eaton et al.

(10) **Patent No.:** **US D647,795 S**
(45) **Date of Patent:** **** Nov. 1, 2011**

(54) **RAZOR PACKAGE**
(75) Inventors: **Meaghan Grace Eaton**, New York, NY (US); **Carl Andrew Gerhards**, New York, NY (US); **Andrew Anthony Markle**, New York, NY (US)

D483,480 S 12/2003 Braverman et al.
D496,267 S 9/2004 Tommassetti
D511,105 S 11/2005 Dominesey et al.
D524,156 S 7/2006 Hamuro et al.
D526,194 S 8/2006 Hamuro et al.
D526,894 S 8/2006 Hamuro et al.
D531,021 S 10/2006 Ashby et al.
D541,657 S 5/2007 Mongeon et al.

(73) Assignee: **The Gillette Company**, Boston, MA (US)

(Continued)

(**) Term: **14 Years**

Primary Examiner — Susan Bennett Hattan

(21) Appl. No.: **29/387,719**

(74) *Attorney, Agent, or Firm* — Kevin C. Johnson; Steven C. Miller

(22) Filed: **Mar. 17, 2011**

(57) **CLAIM**

(51) **LOC (9) Cl.** **09-07**

The ornamental design for a razor package, as shown and described.

(52) **U.S. Cl.** **D9/434**

(58) **Field of Classification Search** D9/682,
D9/600, 457, 454, 441, 434, 432, 430, 415,
D9/414, 418, 704, 552, 551, 669, 750; D11/95;
D5/56; D20/40, 36, 28, 27, 26, 22, 11; D14/492,
D14/489, 486; 715/976, 840, 764, 715; 229/923,
229/922, 87.19, 116.5, 116.1, 100; 220/694,
220/376

DESCRIPTION

See application file for complete search history.

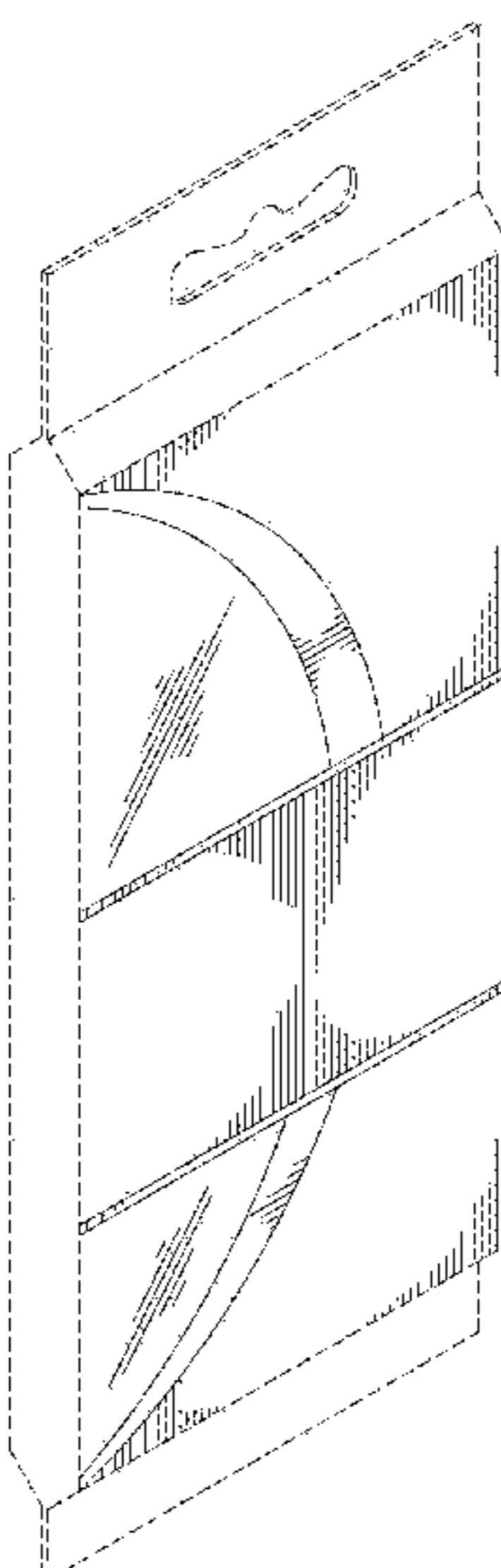
FIG. 1 is a perspective view of the razor package of the present invention;
FIG. 2 is a front elevational view of the package of FIG. 1;
FIG. 3 is a rear elevational view of the package of FIG. 1;
FIG. 4 is a left side elevational view of the package of FIG. 1;
FIG. 5 is a right side elevational view of the package of FIG. 1;
FIG. 6 is a top plan view of the package of FIG. 1;
FIG. 7 is a bottom plan view of the package of FIG. 1;
FIG. 8 is a perspective view of another embodiment of a razor package of the present invention;
FIG. 9 is a front elevational view of the package of FIG. 8;
FIG. 10 is a rear elevational view of the package of FIG. 8;
FIG. 11 is a left side elevational view of the package of FIG. 8;
FIG. 12 is a right side elevational view of the package of FIG. 8;
FIG. 13 is a top plan view of the package of FIG. 8; and,
FIG. 14 is a bottom plan view of the package of FIG. 8;
The broken lines depict environmental subject matter only and form no part of the claimed design.

(56) **References Cited**

U.S. PATENT DOCUMENTS

2,046,751 A * 7/1936 Reichel 206/745
D110,869 S * 8/1938 Kovacs D9/432
D276,793 S 12/1984 Richards
D276,893 S 12/1984 Richards
D285,175 S * 8/1986 Ewry D9/415
D285,412 S 9/1986 Harwell, Jr.
D313,745 S 1/1991 Akman
D323,460 S 1/1992 Ayala et al.
D352,236 S 11/1994 Althaus
D419,443 S * 1/2000 Yonehara et al. D9/432
D420,906 S 2/2000 Nash et al.
6,276,529 B1 8/2001 Feehan, Jr.
6,520,328 B2 2/2003 Ortiz
D471,592 S 3/2003 Hanson et al.
D478,008 S 8/2003 Rade et al.

1 Claim, 10 Drawing Sheets



US D647,795 S

Page 2

U.S. PATENT DOCUMENTS

D543,112 S	5/2007	Bridgman et al.	
D543,113 S	5/2007	Mongeon et al.	
D543,114 S	5/2007	Mongeon et al.	
D543,450 S *	5/2007	Watzig et al.	D9/418
D546,673 S	7/2007	Mongeon et al.	
D553,984 S	10/2007	Berger	
D553,985 S	10/2007	Berger	
D554,499 S	11/2007	Bone et al.	
D554,501 S *	11/2007	Bone et al.	D9/432
D558,058 S	12/2007	Raso	
D560,330 S	1/2008	Williams et al.	
D563,225 S	3/2008	Mongeon et al.	
D566,545 S	4/2008	Bone et al.	
D567,080 S *	4/2008	Bone et al.	D9/432
D569,266 S	5/2008	Wouters et al.	
D581,263 S	11/2008	Suyama et al.	
D582,987 S	12/2008	Marmier	
D583,228 S	12/2008	Ames et al.	
D584,062 S	1/2009	Bracey	
D584,611 S	1/2009	Ames et al.	
D586,210 S *	2/2009	Noschang et al.	D9/434
D586,215 S	2/2009	Gonzalez et al.	
D586,218 S	2/2009	Mongeon et al.	
D587,111 S	2/2009	Seol et al.	
D589,359 S	3/2009	Kusumi	
D590,252 S	4/2009	Seol et al.	
D590,498 S	4/2009	Fiala et al.	
D593,410 S	6/2009	Schwartz	
D595,126 S	6/2009	Marcinkowski	
D599,657 S *	9/2009	Bruno et al.	D9/434
D600,547 S *	9/2009	Cain	D9/418
D600,551 S *	9/2009	Bruno et al.	D9/434
D601,415 S *	10/2009	Seum et al.	D9/418
D601,888 S	10/2009	Arnell	
D601,889 S	10/2009	Arnell	
D601,890 S	10/2009	Arnell	
D601,891 S	10/2009	Arnell	
D603,254 S	11/2009	Hogenbirk	
D607,323 S *	1/2010	Bruno et al.	D9/434
D610,920 S	3/2010	Bogdanova et al.	
D612,234 S *	3/2010	Westemeyer	D9/434
D613,157 S *	4/2010	Francis et al.	D9/434
D615,397 S *	5/2010	Arnell	D9/434
D621,702 S *	8/2010	Tekulve et al.	D9/432
D637,486 S *	5/2011	Andrew	D9/432
2007/0254145 A1	11/2007	Sawin et al.	
2008/0296244 A1	12/2008	Tomassetti	

* cited by examiner

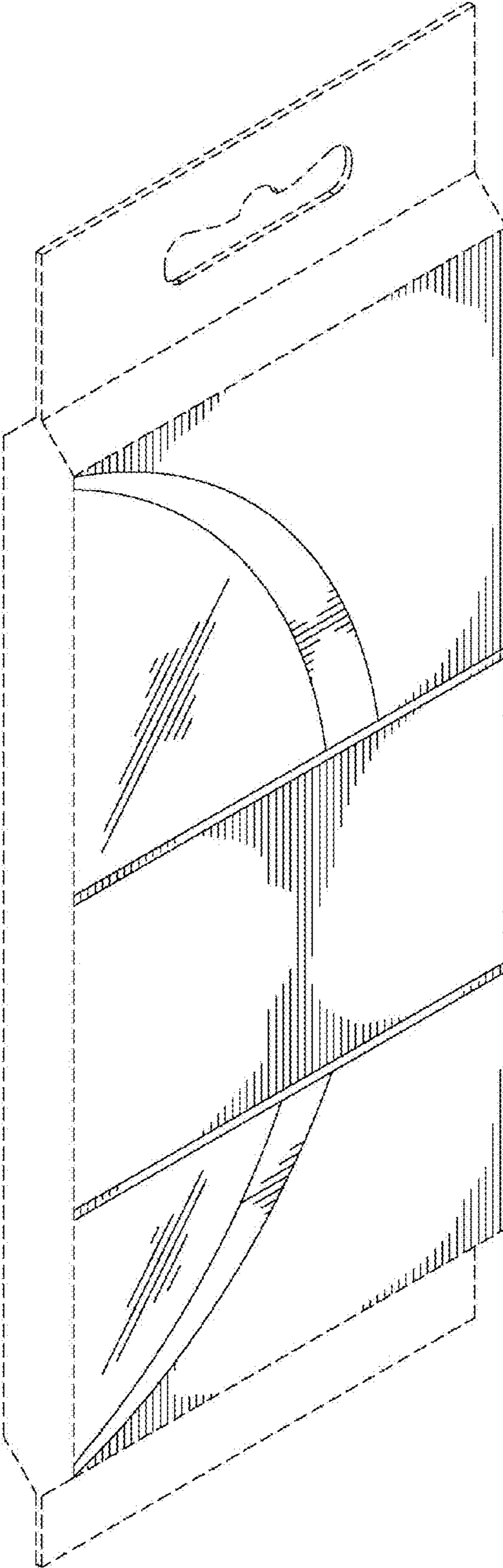


FIG. 1

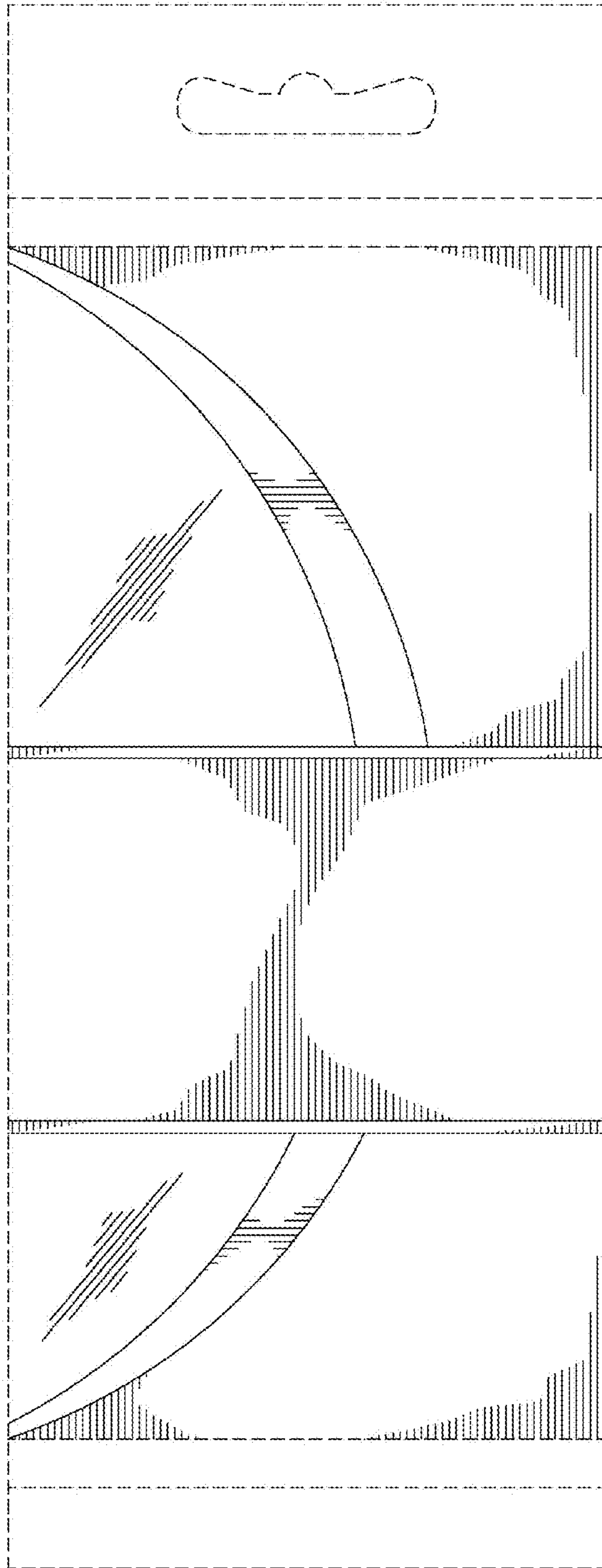


FIG. 2

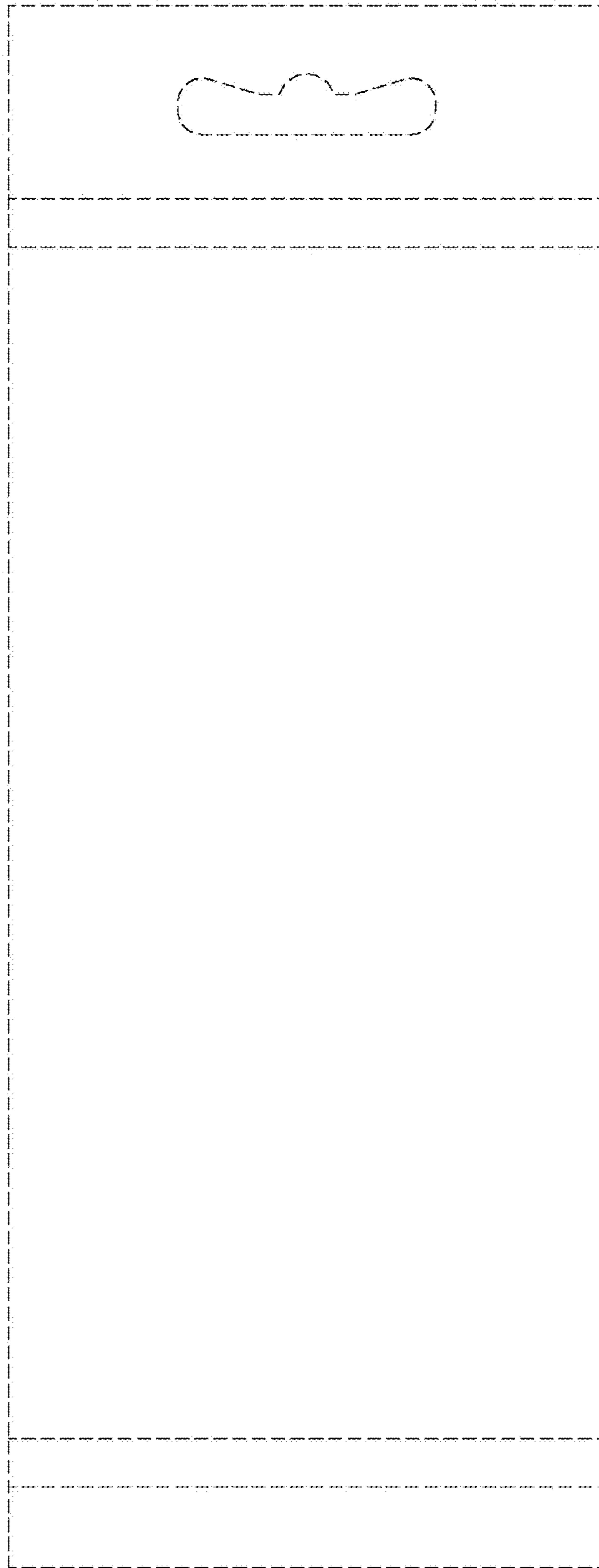


FIG. 3



FIG. 4



FIG. 5

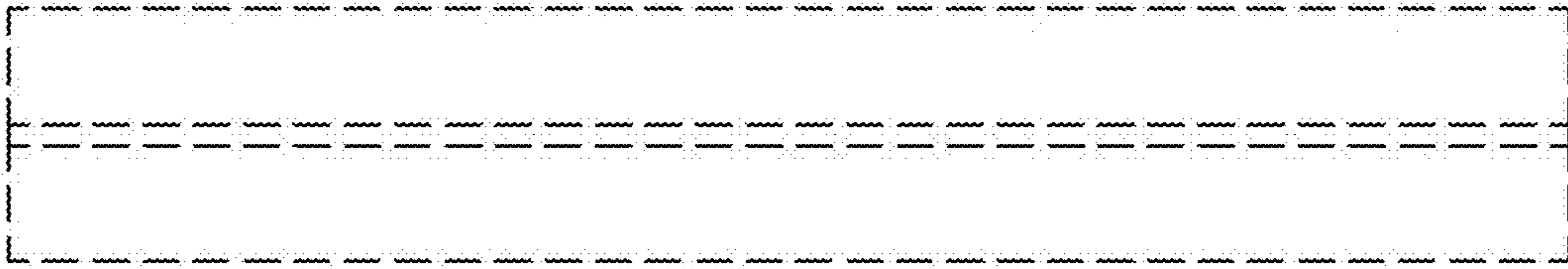


FIG. 6

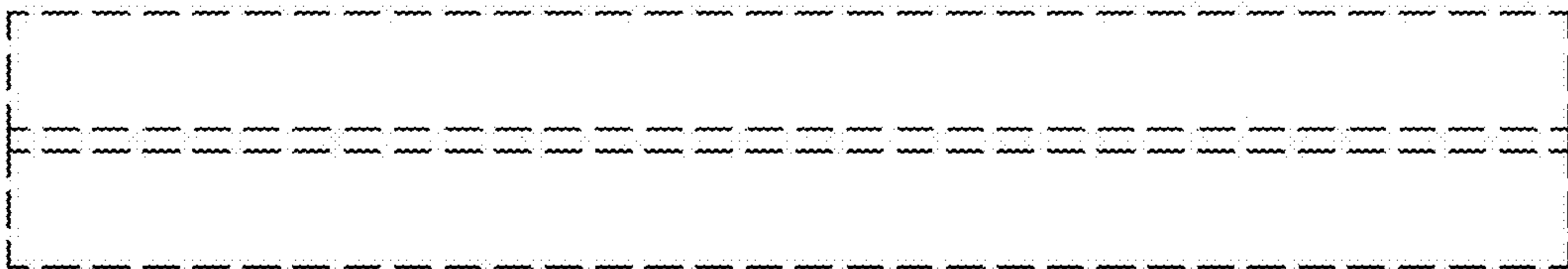


FIG. 7

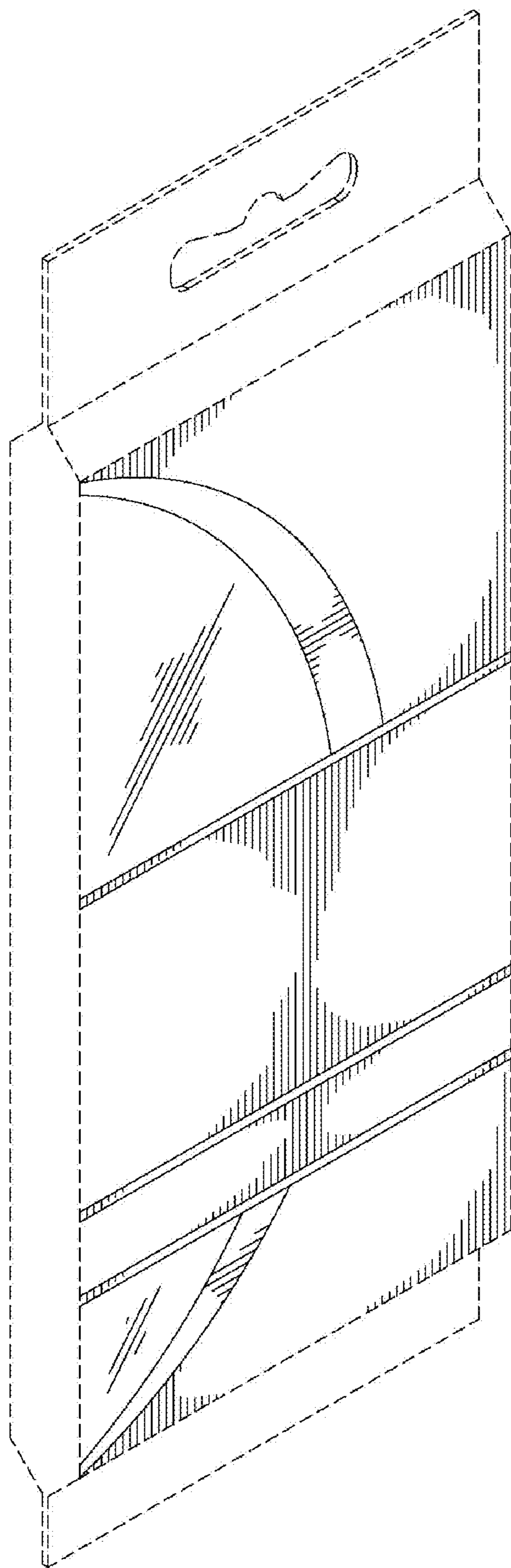


FIG. 8

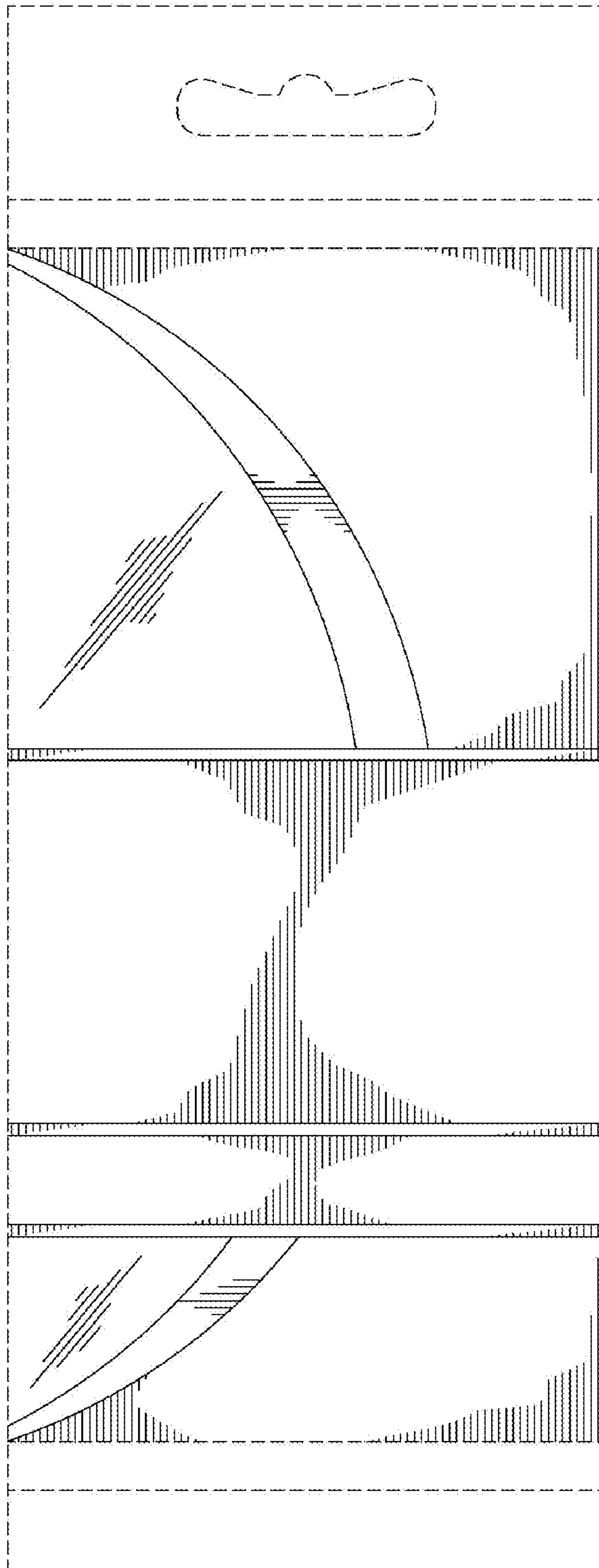


FIG. 9

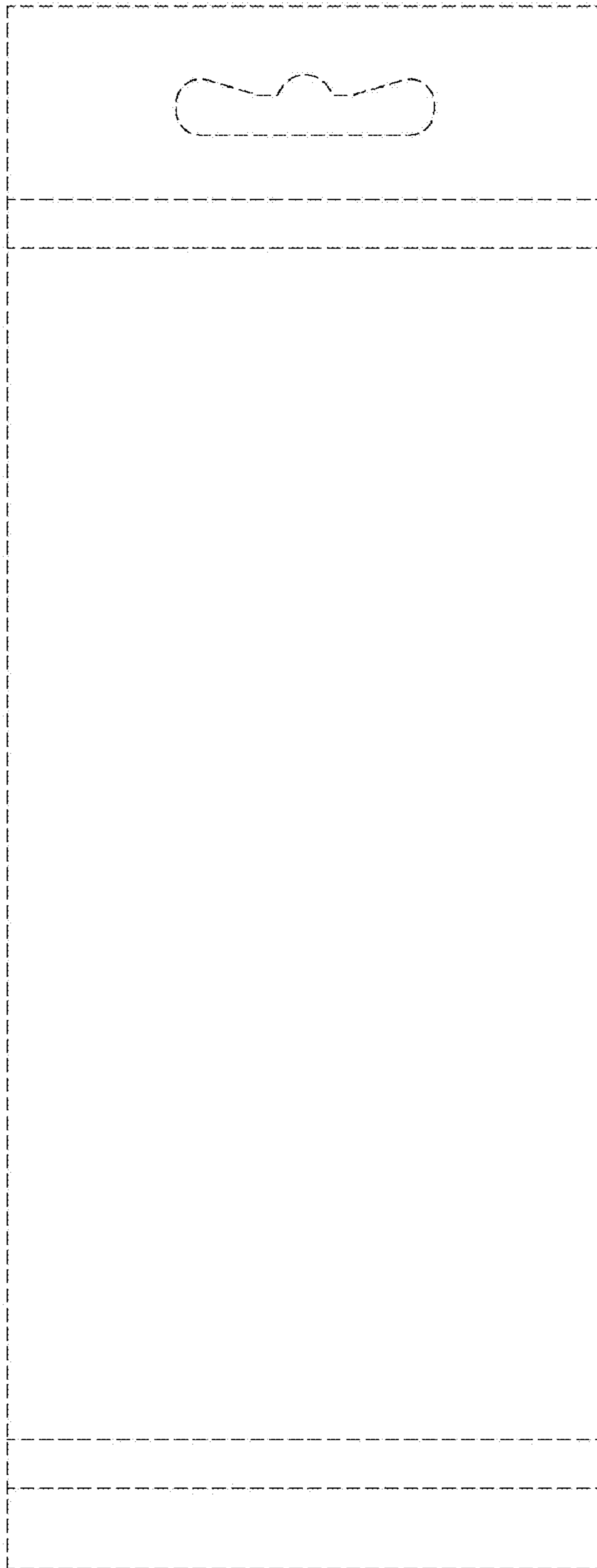


FIG. 10



FIG. 11

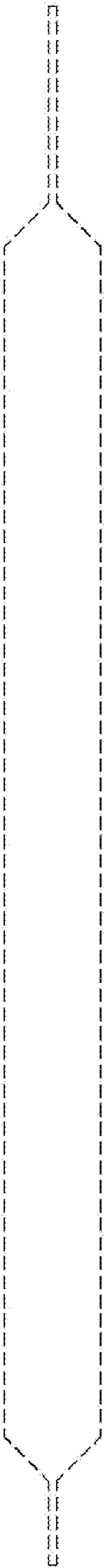


FIG. 12

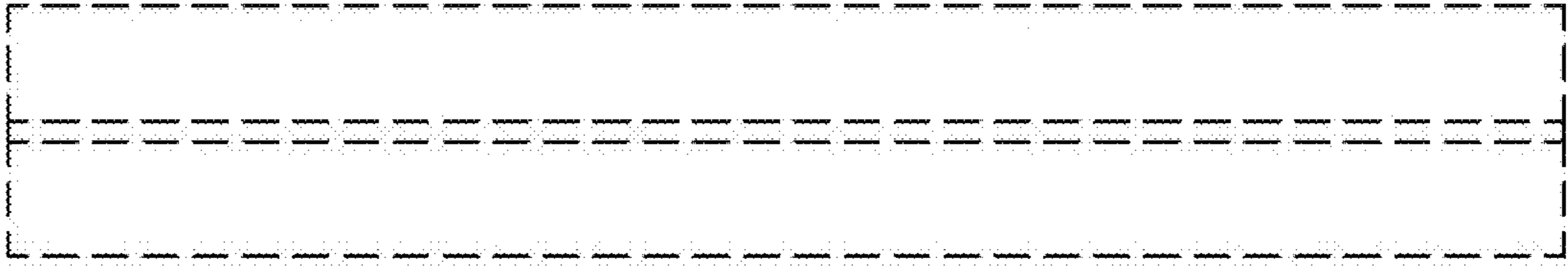


FIG. 13

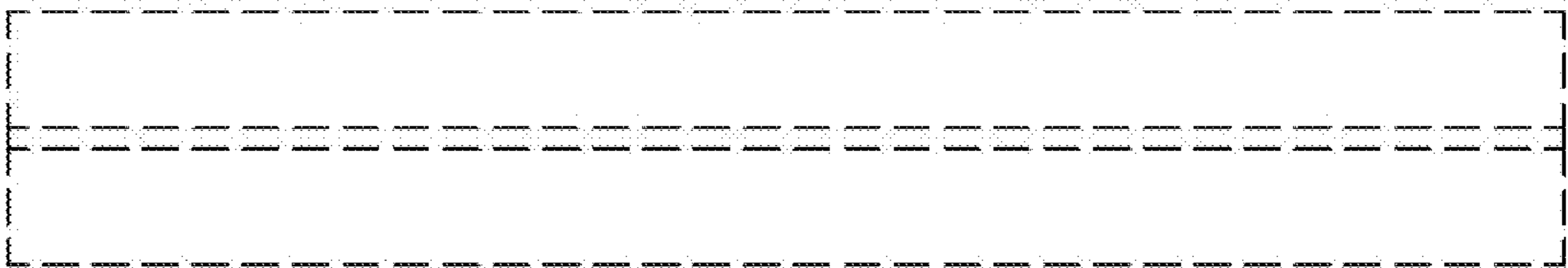


FIG. 14