



US00D647792S

(12) **United States Design Patent**  
**Mathis et al.**

(10) **Patent No.:** **US D647,792 S**  
(45) **Date of Patent:** **\*\* Nov. 1, 2011**

(54) **CONTAINER**

(75) Inventors: **Rick Mathis**, Nashville, TN (US); **Matt Stewart**, Nashville, TN (US); **Laura Dunkley**, Murfreesboro, TN (US); **Bill Buckles**, Columbia, TN (US); **David Seibert**, Brentwood, TN (US); **Cossy Pachares**, Franklin, TN (US); **Antonio B. Soria**, Wesley Chapel, FL (US); **Robert Kryger**, Lakeland, FL (US); **Wesley Beck**, Lakeland, FL (US); **Matthew Muller**, Lakeland, FL (US)

(73) Assignee: **Lifeway Christian Resources of the Southern Baptist Convention**, Nashville, TN (US)

(\*\*) Term: **14 Years**

(21) Appl. No.: **29/372,897**

(22) Filed: **Jan. 31, 2011**

(51) **LOC (9) Cl.** ..... **09-07**

(52) **U.S. Cl.** ..... **D9/434**

(58) **Field of Classification Search** ..... D9/761,  
D9/737, 732, 707-710, 456, 453, 452, 435,  
D9/434, 425, 424, 416, 414; D3/304, 264;  
222/94, 107; 206/522, 219, 205

See application file for complete search history.

(56) **References Cited**

U.S. PATENT DOCUMENTS

1,082,710 A	12/1913	Tangjerd
1,949,285 A	2/1934	Porter
D140,393 S	2/1945	Lindblad
3,261,494 A	7/1966	Walker, Jr.
3,514,029 A	5/1970	Powell
3,743,520 A	7/1973	Croner
3,796,813 A	3/1974	Kurland
D238,329 S	1/1976	Davis
4,163,065 A	7/1979	Cilek
4,264,007 A	4/1981	Hunt

4,324,338 A	4/1982	Beall	
4,416,370 A	11/1983	Beall	
D279,865 S	7/1985	McKee	
D291,659 S	9/1987	Powell	
D303,311 S	9/1989	Vezirian	
D304,514 S	11/1989	Vezirian	
4,923,702 A	5/1990	Powell	
D335,382 S	5/1993	O'Brien	
5,246,106 A	9/1993	Johnson	
5,271,496 A	12/1993	Cain	
5,456,351 A	10/1995	Johnson	
5,584,388 A	12/1996	Johnson	
5,746,312 A	5/1998	Johnson	
D395,125 S	6/1998	Richmond	
D401,734 S	11/1998	Monk	
D401,810 S	12/1998	Swift	
D403,207 S	12/1998	Moffat	
D403,581 S *	1/1999	Nask et al.	..... D9/435
6,022,570 A	2/2000	Richmond	
D450,240 S *	11/2001	Haag et al.	..... D9/416
D483,999 S *	12/2003	Beachum et al.	..... D7/553.6
D511,893 S *	11/2005	Chou et al.	..... D3/264

(Continued)

*Primary Examiner* — Susan Bennett Hattan

(74) *Attorney, Agent, or Firm* — Waddey & Patterson, P.C.;  
Edward D. Lanquist, Jr.; Matthew C. Cox

(57) **CLAIM**

What is claimed is the ornamental design for a container, as shown and described.

**DESCRIPTION**

FIG. 1 is a perspective view of the container showing our new design.

FIG. 2 is another perspective view thereof.

FIG. 3 is a plan view thereof.

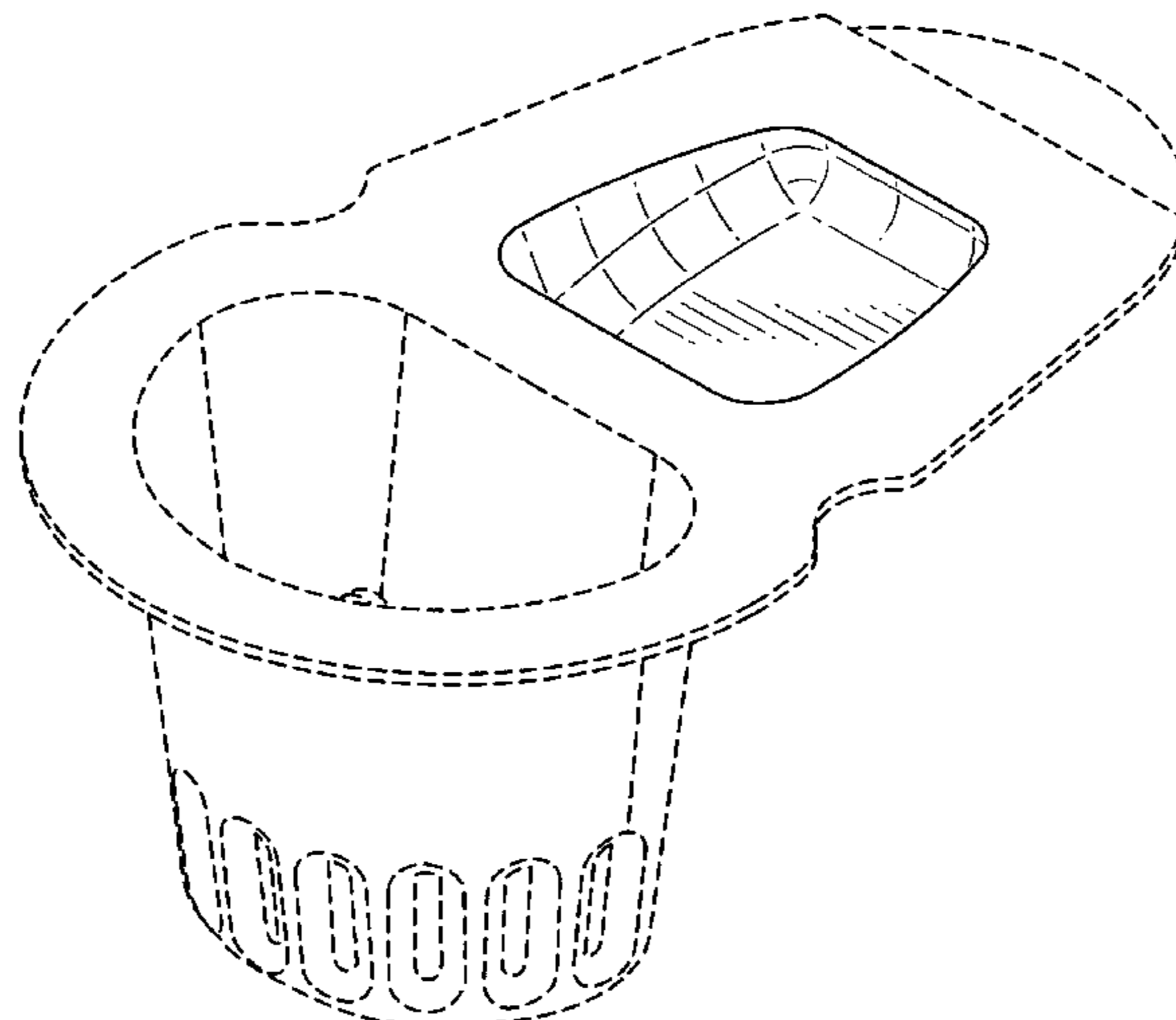
FIG. 4 is an underside view thereof.

FIG. 5 is a rear view thereof; and,

FIG. 6 is a side view thereof.

The broken lines shown in the Figures depict environmental subject matter only and are not part of the claimed design.

**1 Claim, 3 Drawing Sheets**



# US D647,792 S

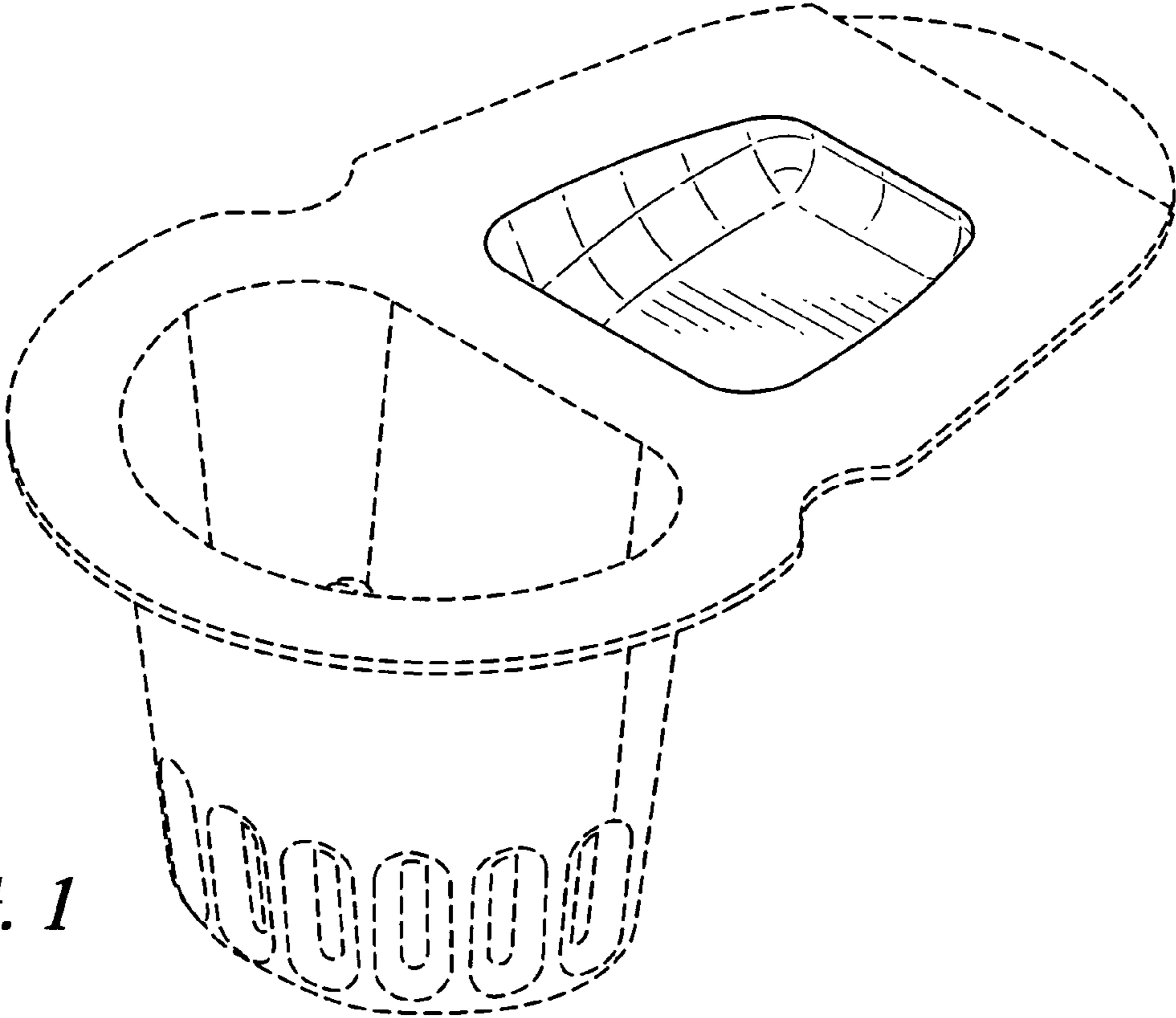
Page 2

---

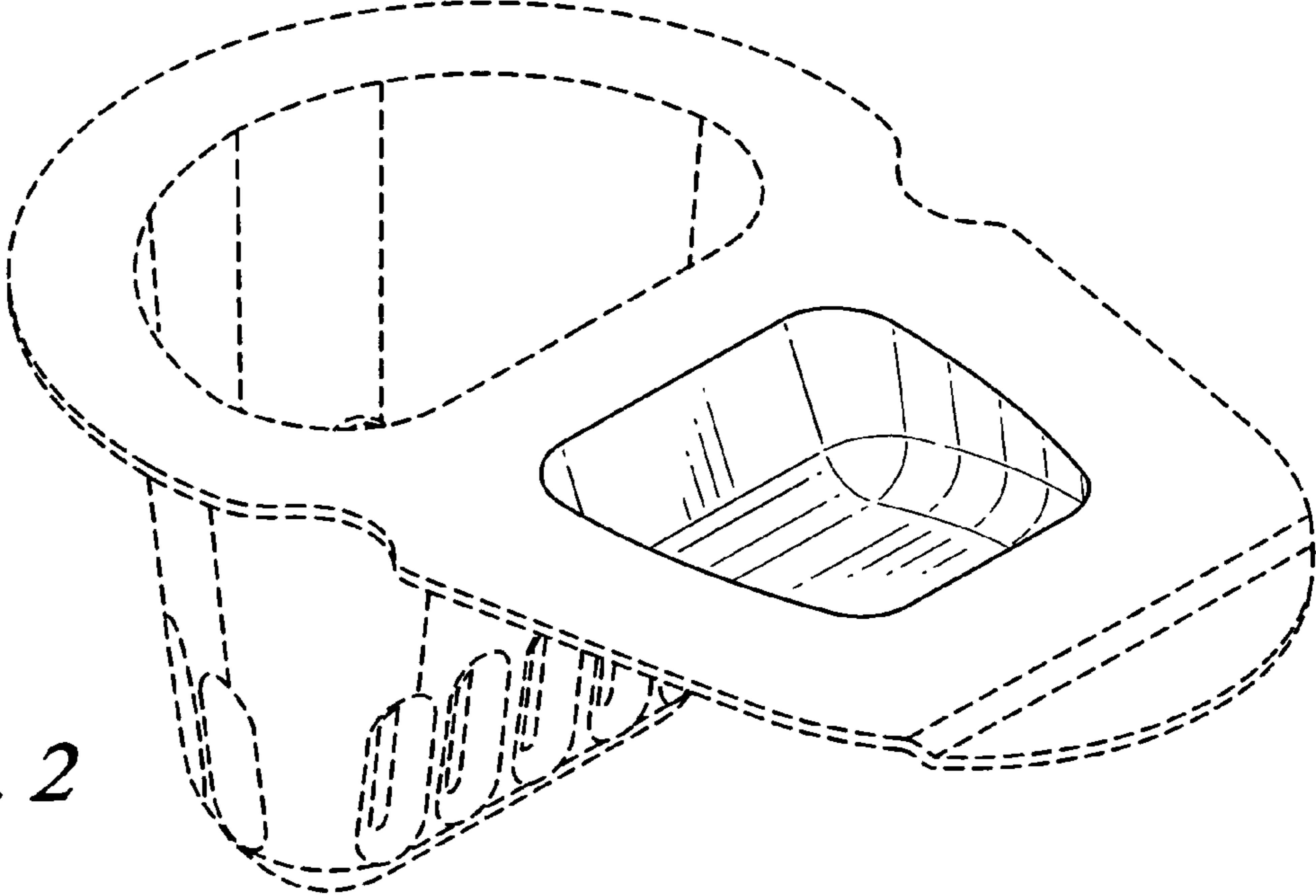
## U.S. PATENT DOCUMENTS

D523,747 S *	6/2006	Snedden et al. ....	D9/435	D634,619 S *	3/2011	Fisher .....	D9/425
D596,935 S *	7/2009	Golota et al. ....	D9/420	D636,669 S *	4/2011	Ruth .....	D9/434
D628,471 S *	12/2010	Golota et al. ....	D9/425	2007/0131687 A1	6/2007	Otto	
D632,956 S *	2/2011	Fuller et al. ....	D9/424				

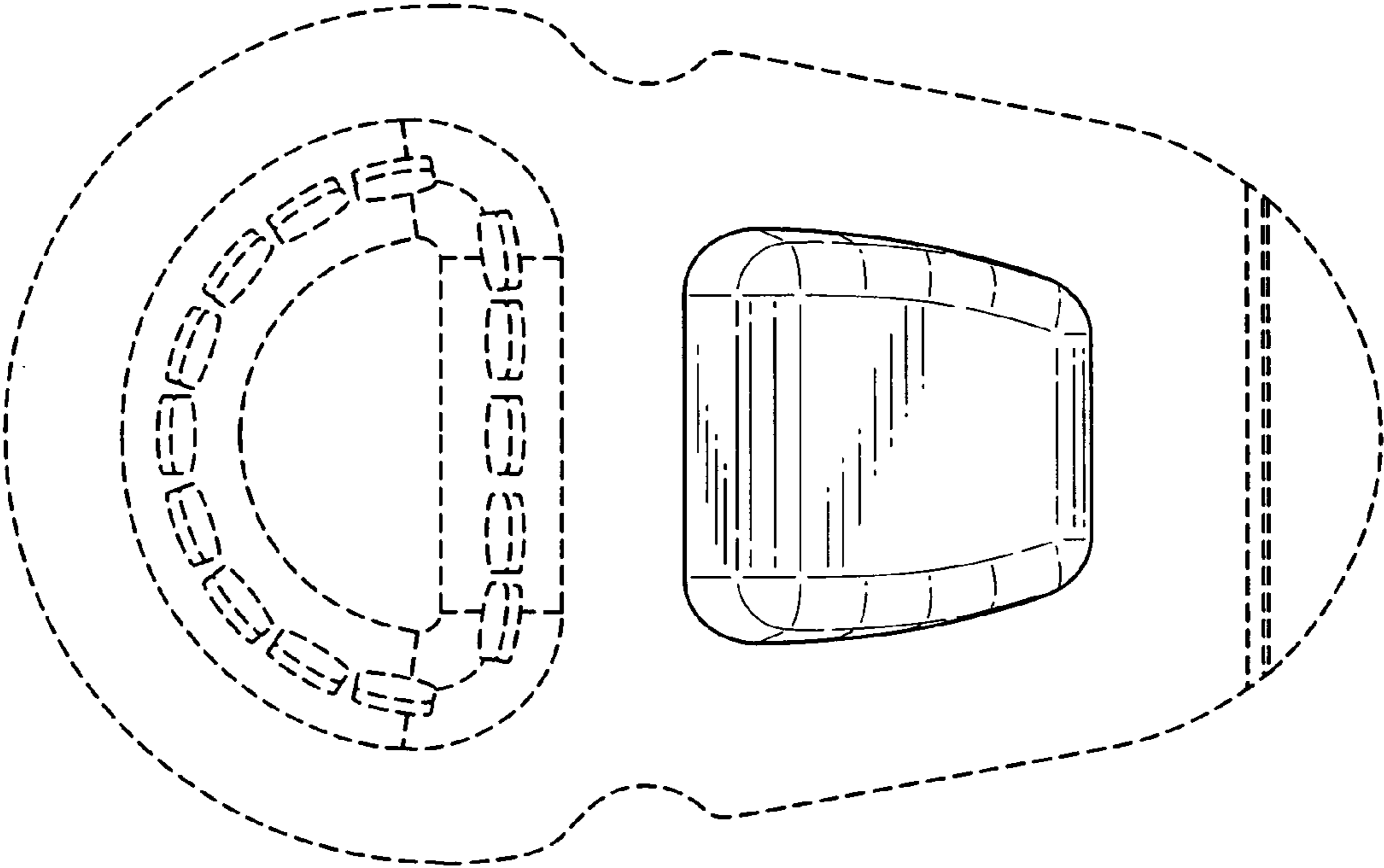
\* cited by examiner



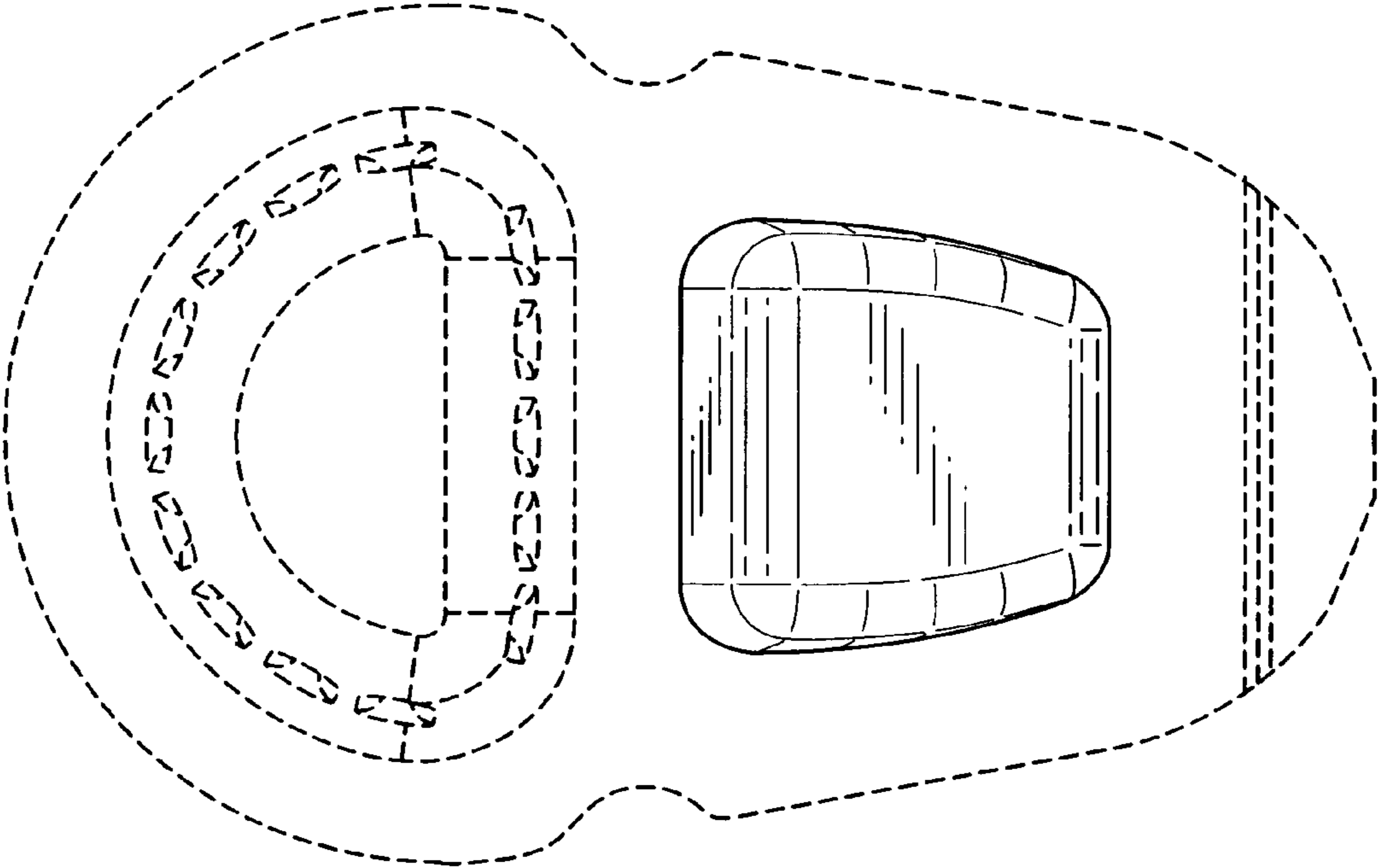
*FIG. 1*



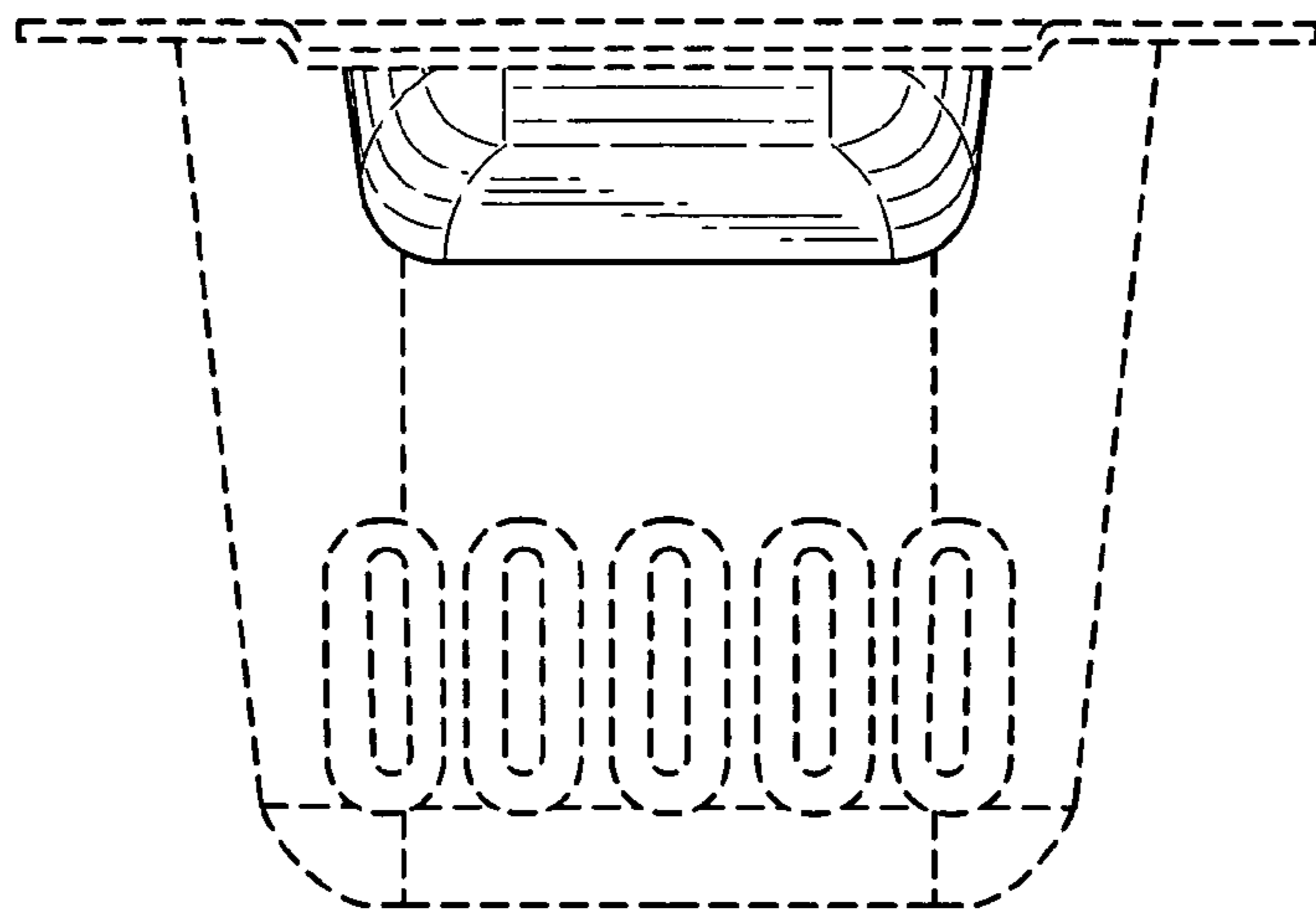
*FIG. 2*



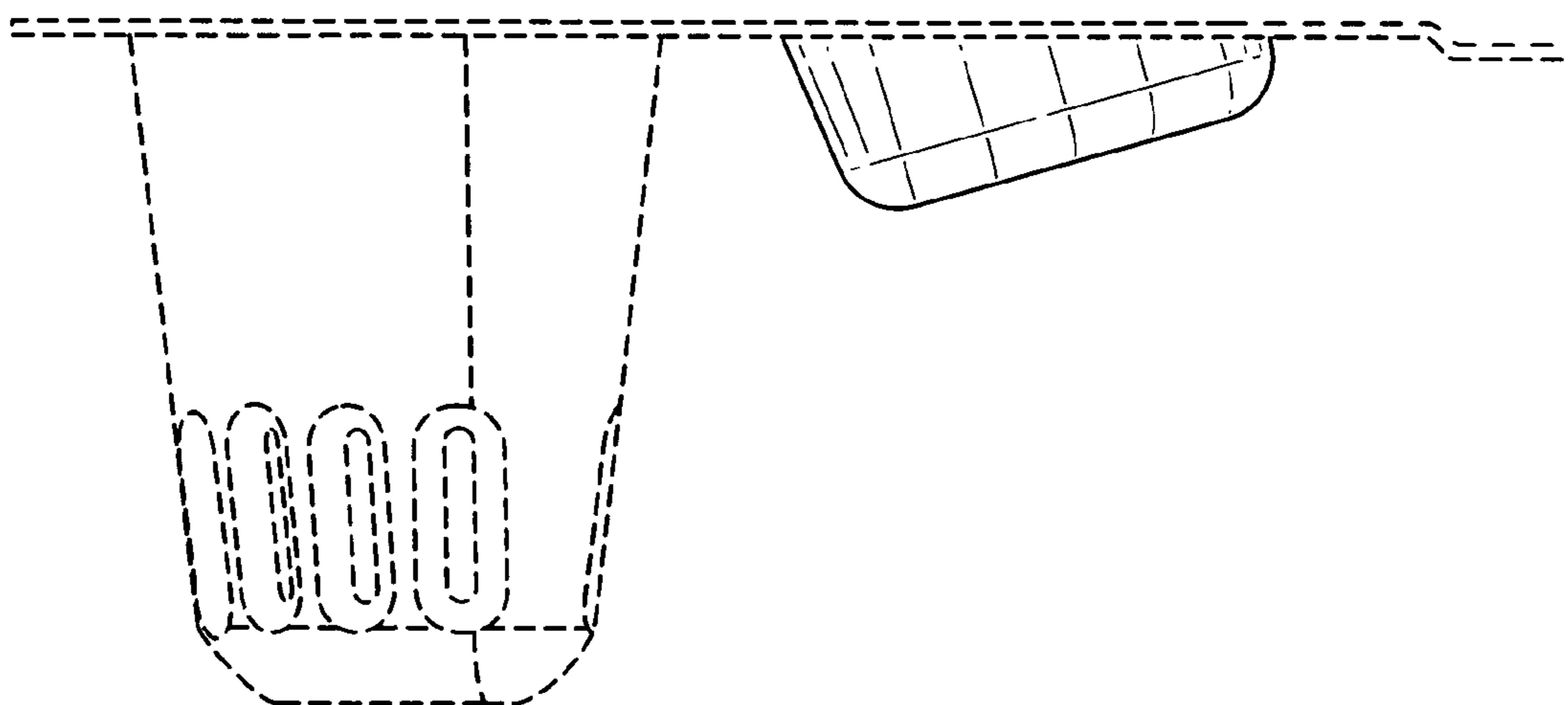
*FIG. 3*



*FIG. 4*



*FIG. 5*



*FIG. 6*