



US00D647790S

(12) **United States Design Patent**
Lopez et al.

(10) **Patent No.:** **US D647,790 S**

(45) **Date of Patent:** **** Nov. 1, 2011**

(54) **COMESTIBLE PACKAGE**

(75) Inventors: **Miguel Angel Angeles Lopez, Sn.**
Nicolas de los Garza (MX); Gabriel Santos Ruiz, Sta. Catarina (MX)

(73) Assignee: **Wm. Wrigley Jr. Company, Chicago, IL (US)**

(**) Term: **14 Years**

(21) Appl. No.: **29/383,045**

(22) Filed: **Jan. 11, 2011**

(51) **LOC (9) Cl.** **09-03**

(52) **U.S. Cl.** **D9/429**

(58) **Field of Classification Search** D9/414,
D9/424-429, 435, 452-453, 515, 761; D7/354,
D7/504, 500, 538, 550.1, 543, 545, 553.6,
D7/554.2, 557, 565, 584-585, 602, 629, 672;
229/105, 117.09, 117.26, 189, 406, 407,
229/902, 905, 915.1; 220/4.21-4.24, 23.8,
220/23.87, 266, 276, 377, 532-533, 655,
220/781-784, 790-791, 793, 835; 206/45.19,
206/45.32, 386, 425, 503, 508, 509, 511,
206/518-521, 541, 555, 558, 560, 564, 625,
206/643; D3/201, 203.1-203.3, 304, 307-314;
219/734; 426/106, 119, 129, 234

See application file for complete search history.

(56) **References Cited**

U.S. PATENT DOCUMENTS

D197,584 S *	2/1964	Nascher et al.	D9/425
D374,819 S *	10/1996	Wells	D9/425
D376,314 S *	12/1996	Krupa	D9/425
D446,719 S *	8/2001	Garraway	D9/425
D485,755 S *	1/2004	Isler et al.	D9/425
D487,210 S *	3/2004	Isler et al.	D7/354
D496,272 S *	9/2004	Jackson et al.	D9/425
D502,045 S *	2/2005	Isler et al.	D7/354
D505,043 S *	5/2005	Isler et al.	D7/354
D553,490 S *	10/2007	Yang	D9/425
D570,681 S *	6/2008	Hussain et al.	D9/425
D618,956 S *	7/2010	Antoun et al.	D7/354
D625,180 S *	10/2010	Enriquez	D9/425

* cited by examiner

Primary Examiner — Thomas Johannes

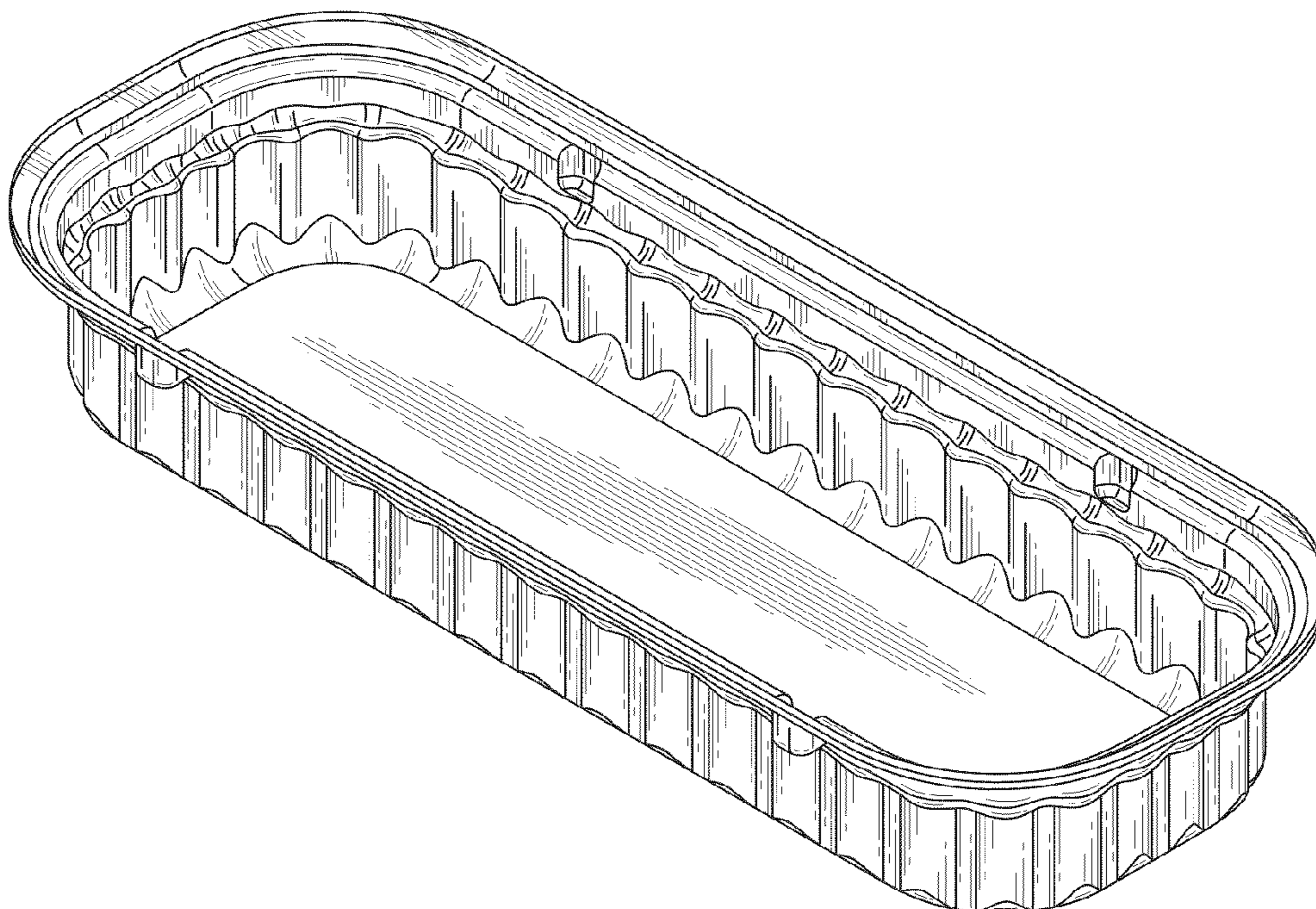
(57) **CLAIM**

The ornamental design for a comestible package, as shown and described.

DESCRIPTION

FIG. 1 is a front and top perspective view showing our new design;
FIG. 2 is a front and bottom perspective view thereof;
FIG. 3 is a right side elevation view thereof;
FIG. 4 is a left side elevation view thereof;
FIG. 5 is a front elevation view thereof;
FIG. 6 is a top plan view thereof; and,
FIG. 7 is a bottom plan view thereof.

1 Claim, 3 Drawing Sheets



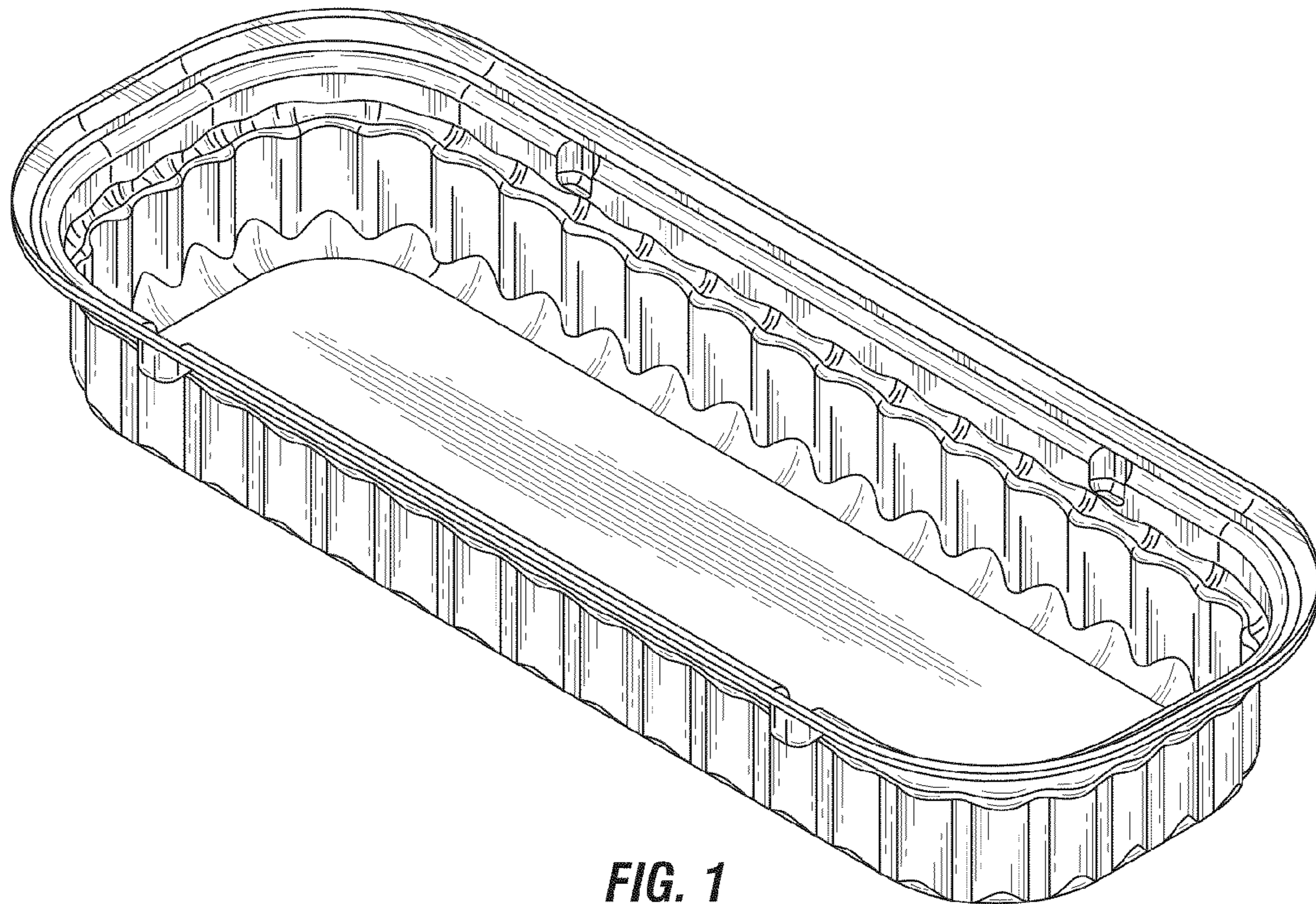


FIG. 1

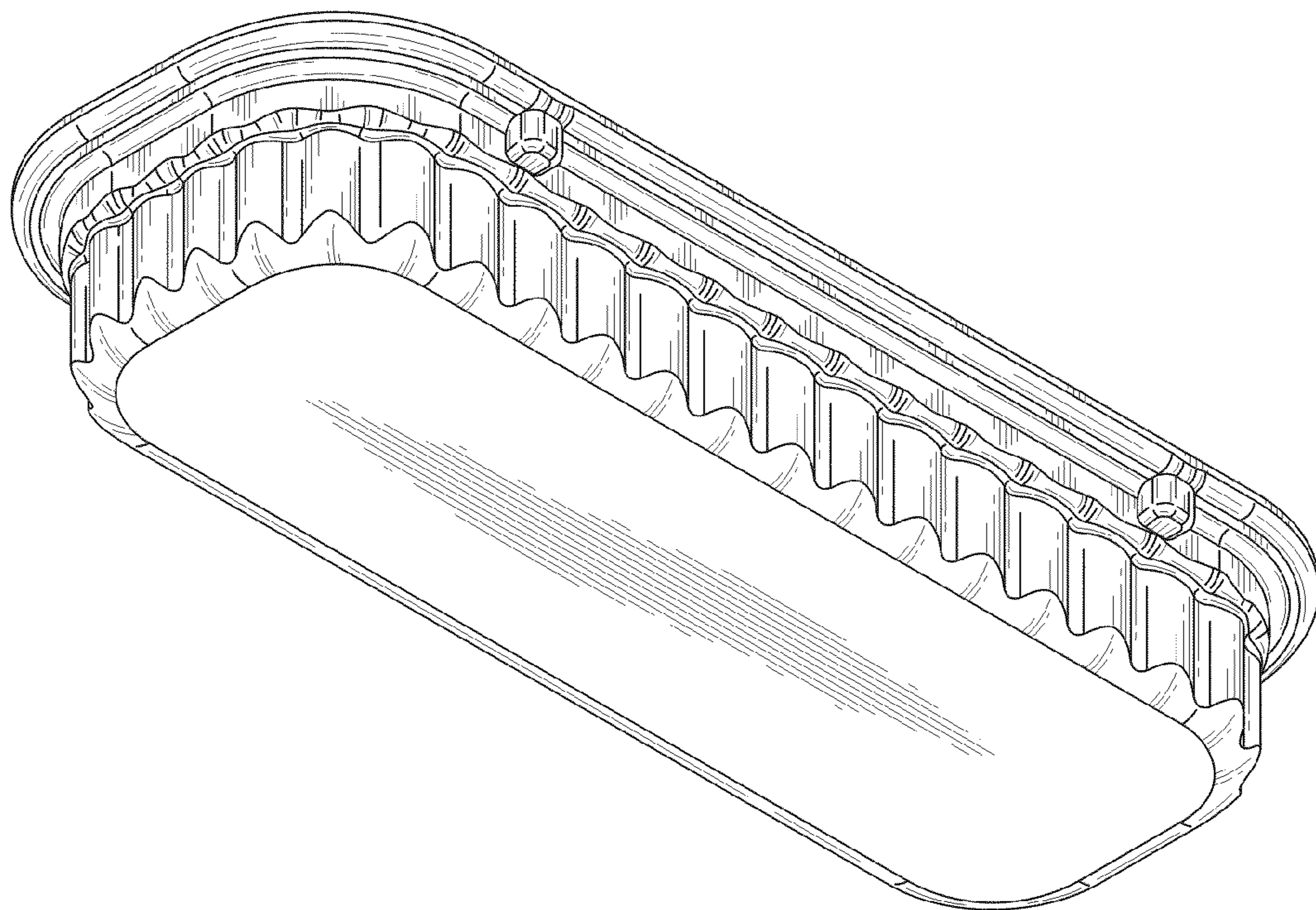


FIG. 2

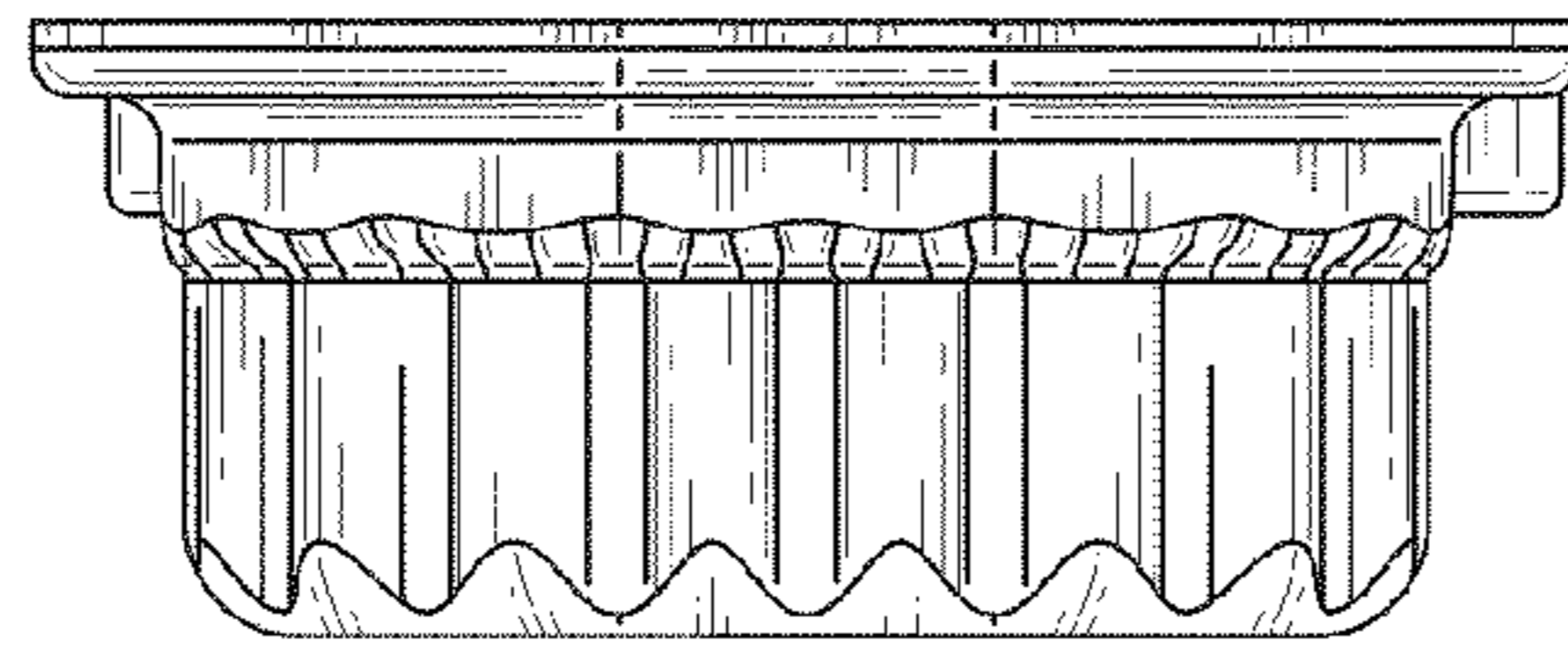


FIG. 3

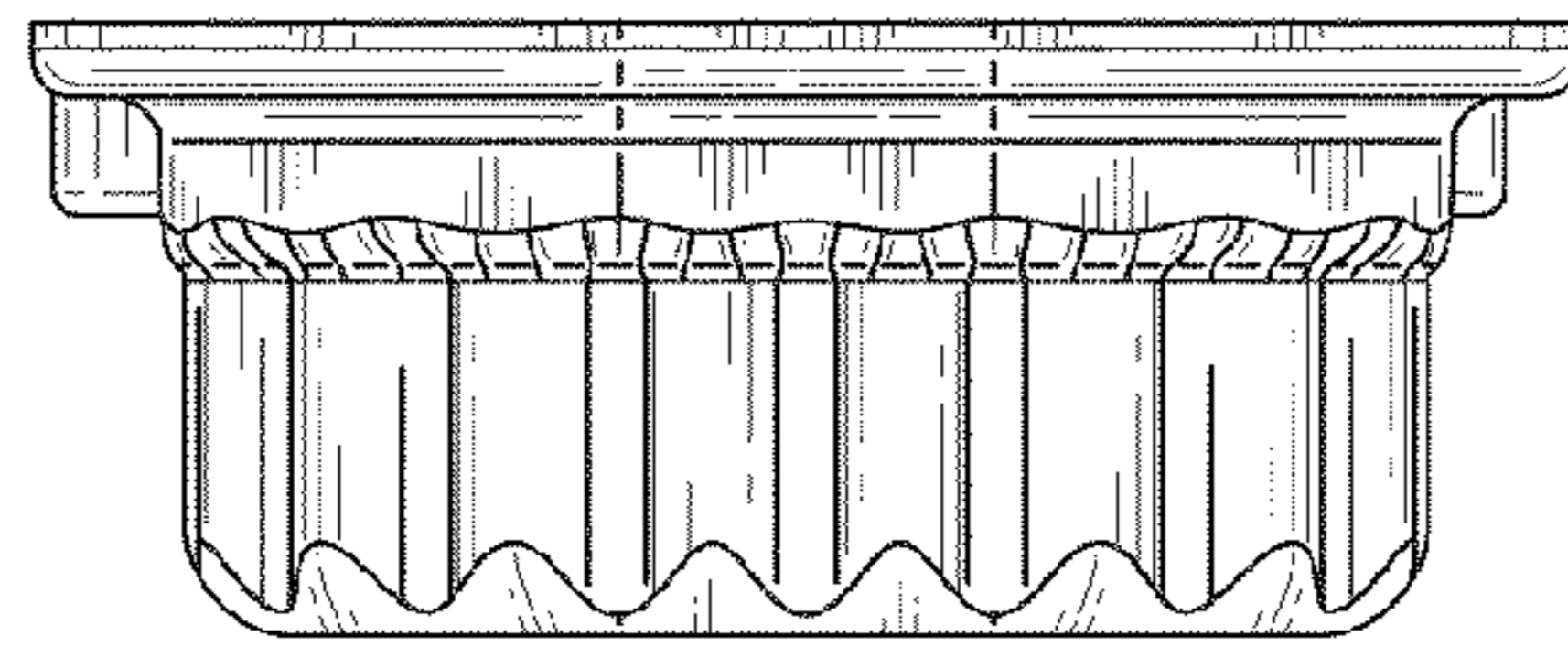


FIG. 4

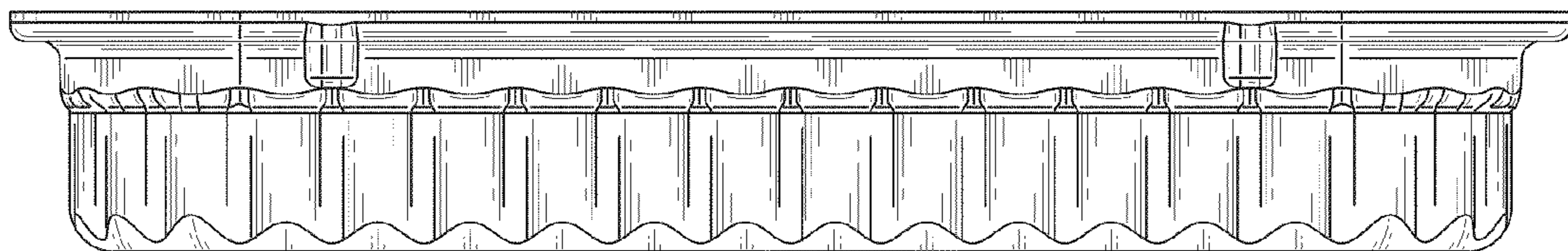


FIG. 5

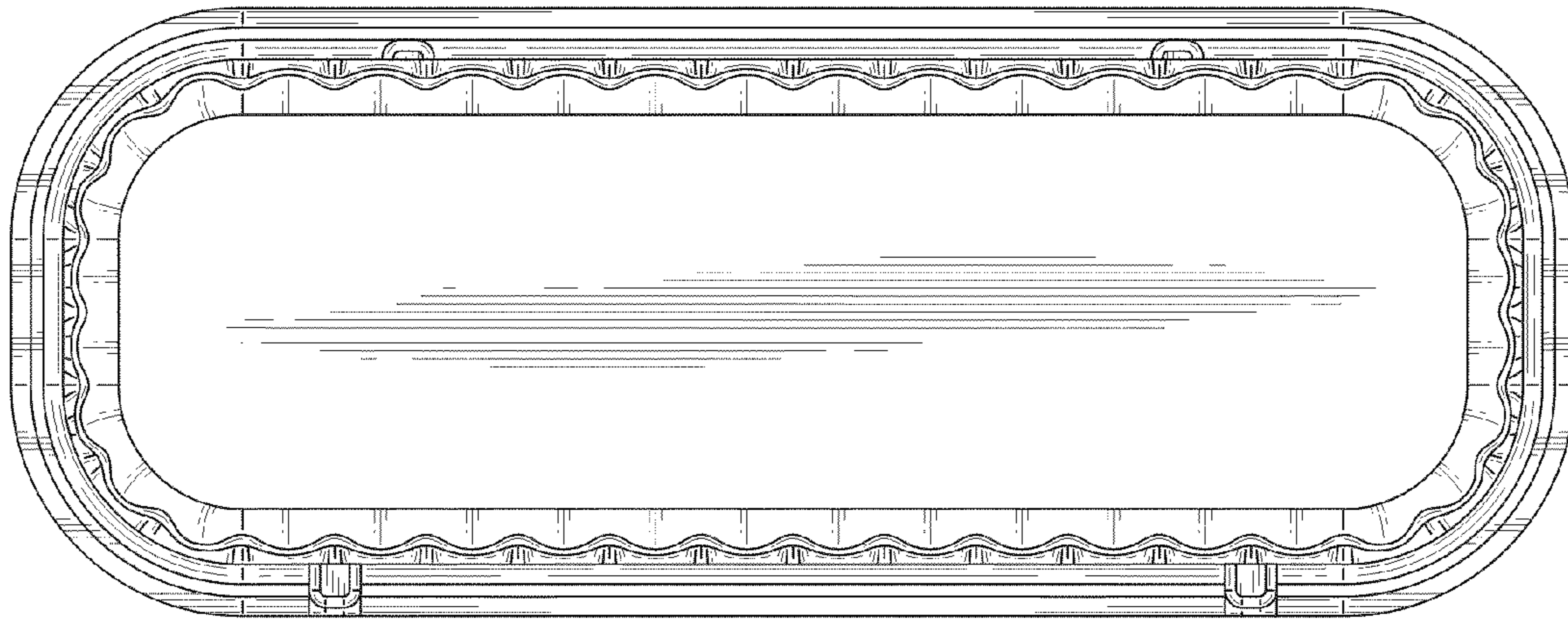


FIG. 6

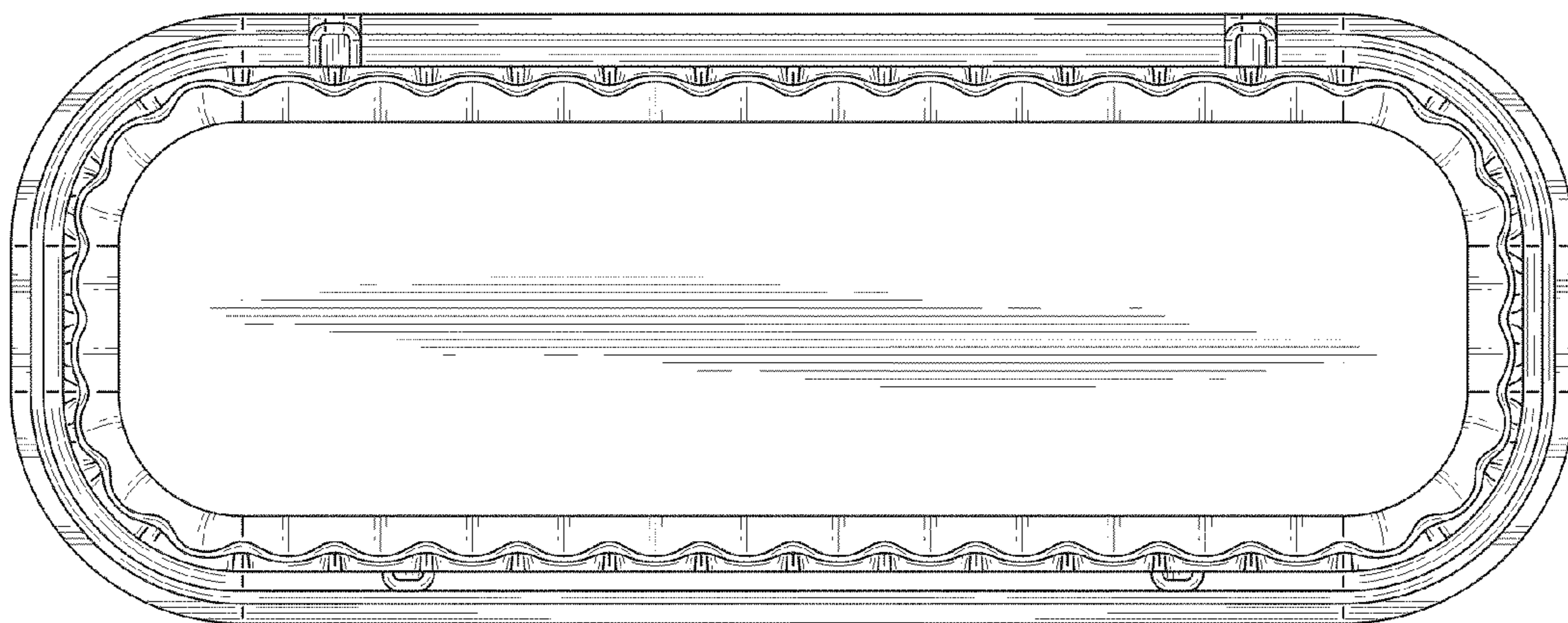


FIG. 7