



US00D647789S

(12) **United States Design Patent**
McGowan

(10) **Patent No.:** **US D647,789 S**

(45) **Date of Patent:** **** Nov. 1, 2011**

(54) **CROWN PLATE**

(75) Inventor: **Peter McGowan**, Melbourne (AU)

(73) Assignee: **Minova International Limited**,
Chesterfield, Derbyshire (GB)

(**) Term: **14 Years**

(21) Appl. No.: **29/344,254**

(22) Filed: **Sep. 25, 2009**

(30) **Foreign Application Priority Data**

Mar. 25, 2009 (AU) 11021/2009

(51) **LOC (9) Cl.** **08-08**

(52) **U.S. Cl.** **D8/399; D8/397**

(58) **Field of Classification Search** D8/397,
D8/399, 394, 382, 349, 8, 323; D15/138;
D23/262, 259; 411/432, 108, 353, 404, 410,
411/919, 147, 957, 534; 137/383; D21/488;
405/302.1, 259.1

See application file for complete search history.

(56) **References Cited**

U.S. PATENT DOCUMENTS

D32,360 S * 3/1900 Pierce D8/399
2,854,824 A * 10/1958 Curry et al. 405/302.1
3,844,664 A * 10/1974 Hogan 403/171
3,857,212 A * 12/1974 Barnett 52/81.3

4,112,693 A * 9/1978 Collin et al. 405/302.1
4,247,218 A * 1/1981 Jeannin 403/217
4,371,293 A * 2/1983 Wilcox et al. 405/302.1
4,384,801 A * 5/1983 Hamel 403/172
4,511,278 A * 4/1985 Robinson 403/172
4,518,282 A * 5/1985 Wilcox et al. 405/302.1
D301,687 S * 6/1989 Cassidy et al. D8/399
5,628,587 A * 5/1997 Lesslie 405/302.1
D437,770 S * 2/2001 Garske et al. D8/349
D463,250 S * 9/2002 Valentz D8/349
6,957,931 B2 * 10/2005 Slater 405/302.1
D587,559 S * 3/2009 Jones et al. D8/349

* cited by examiner

Primary Examiner — Cynthia Underwood

(74) *Attorney, Agent, or Firm* — Baker & Daniels LLP

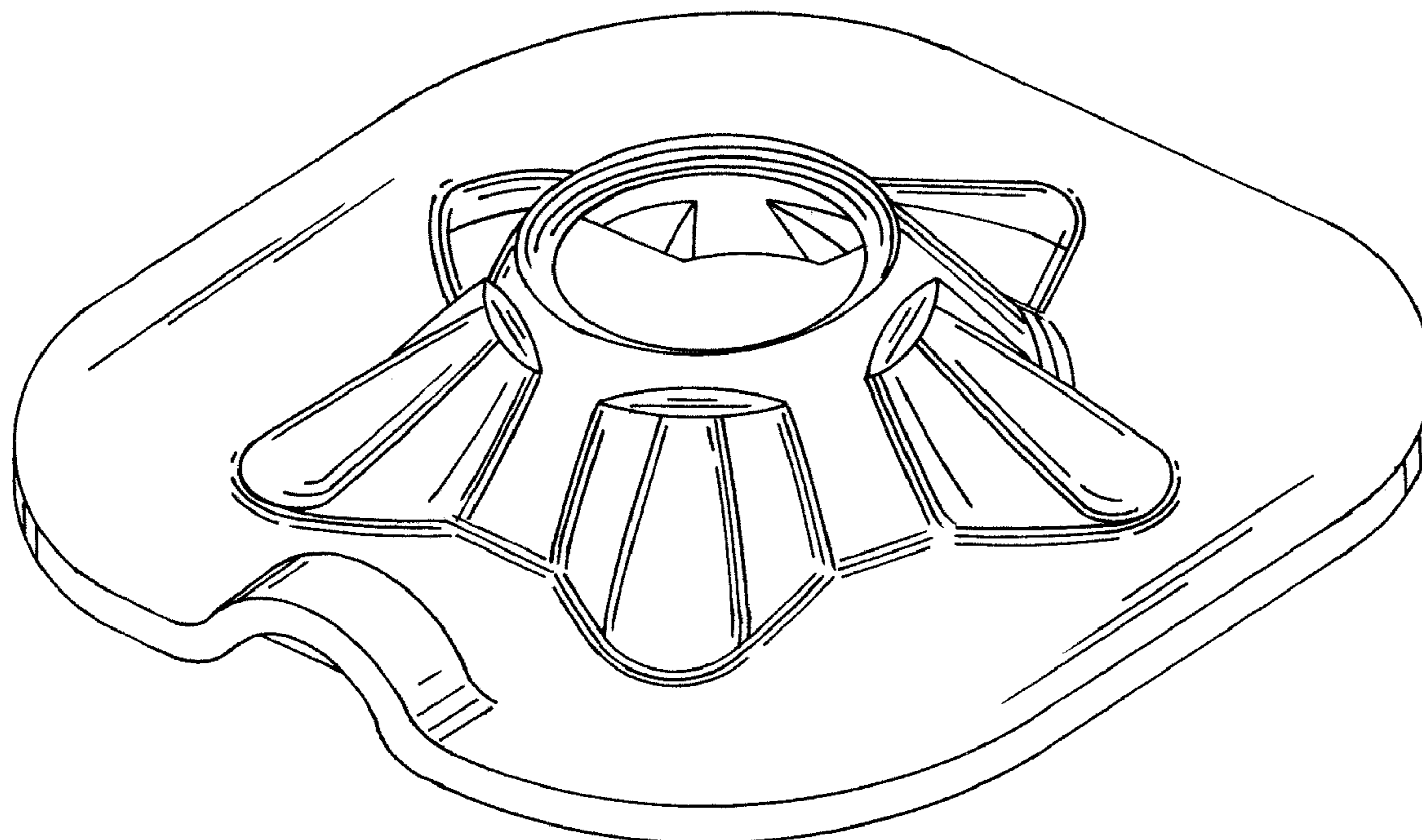
(57) **CLAIM**

The ornamental design of a crown plate, as shown and described.

DESCRIPTION

FIG. 1 is a top perspective view of a crown plate;
FIG. 2 is a bottom perspective view thereof;
FIG. 3 is a top view thereof;
FIG. 4 is a bottom view thereof;
FIG. 5 is a side view thereof;
FIG. 6 is another side view thereof;
FIG. 7 is another side view thereof; and,
FIG. 8 is another side view thereof.

1 Claim, 6 Drawing Sheets



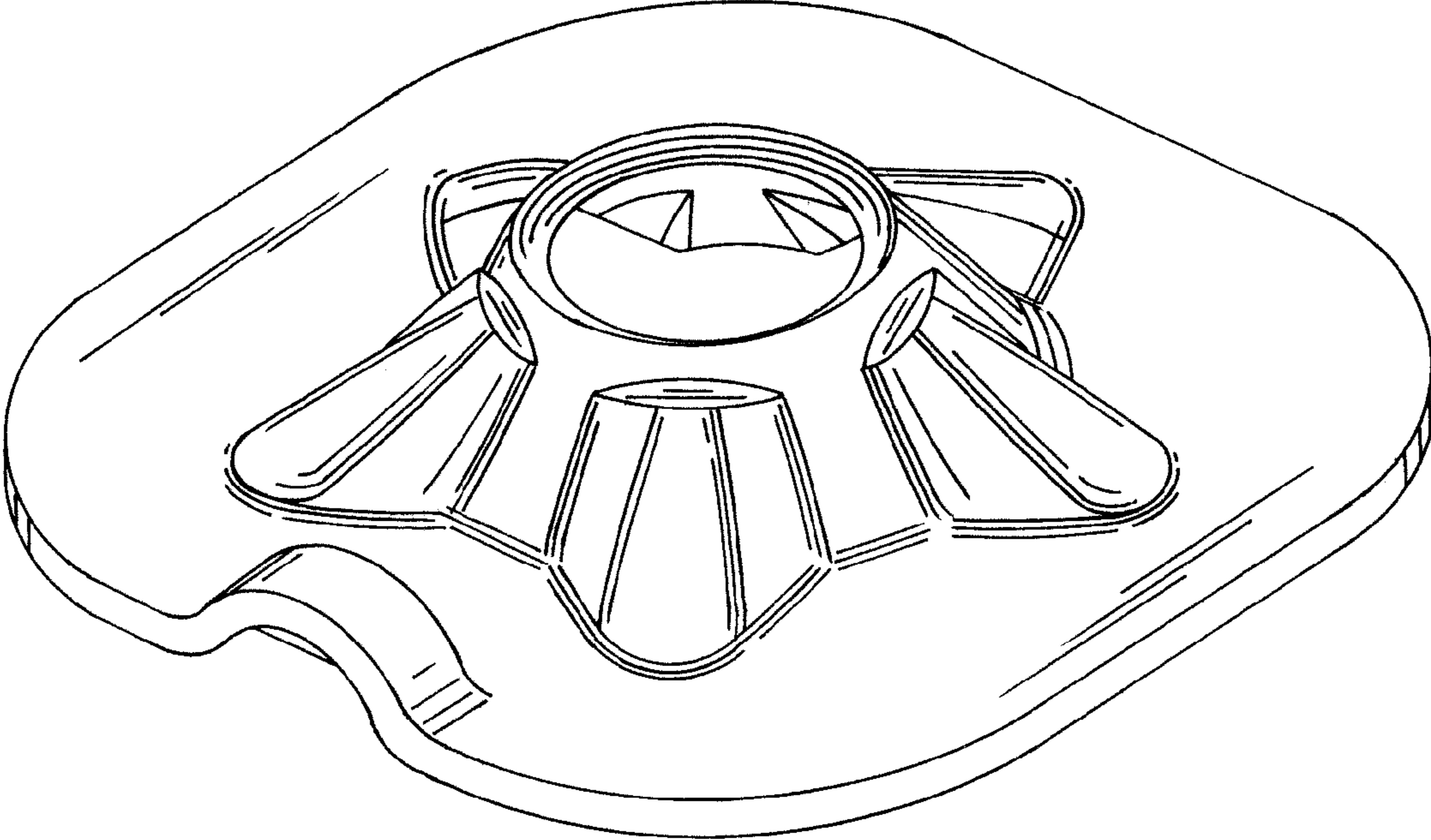


Fig. 1

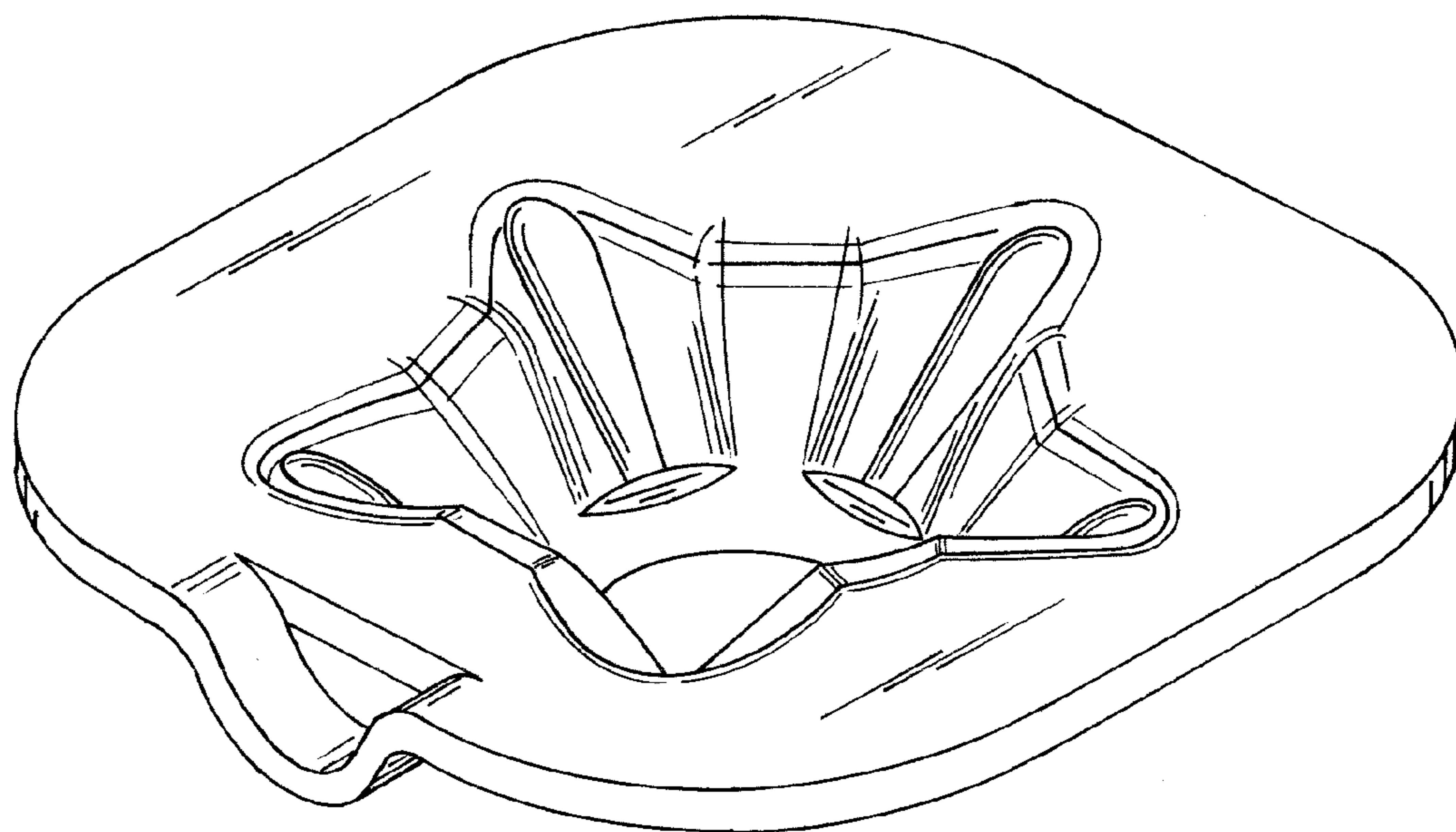


Fig. 2

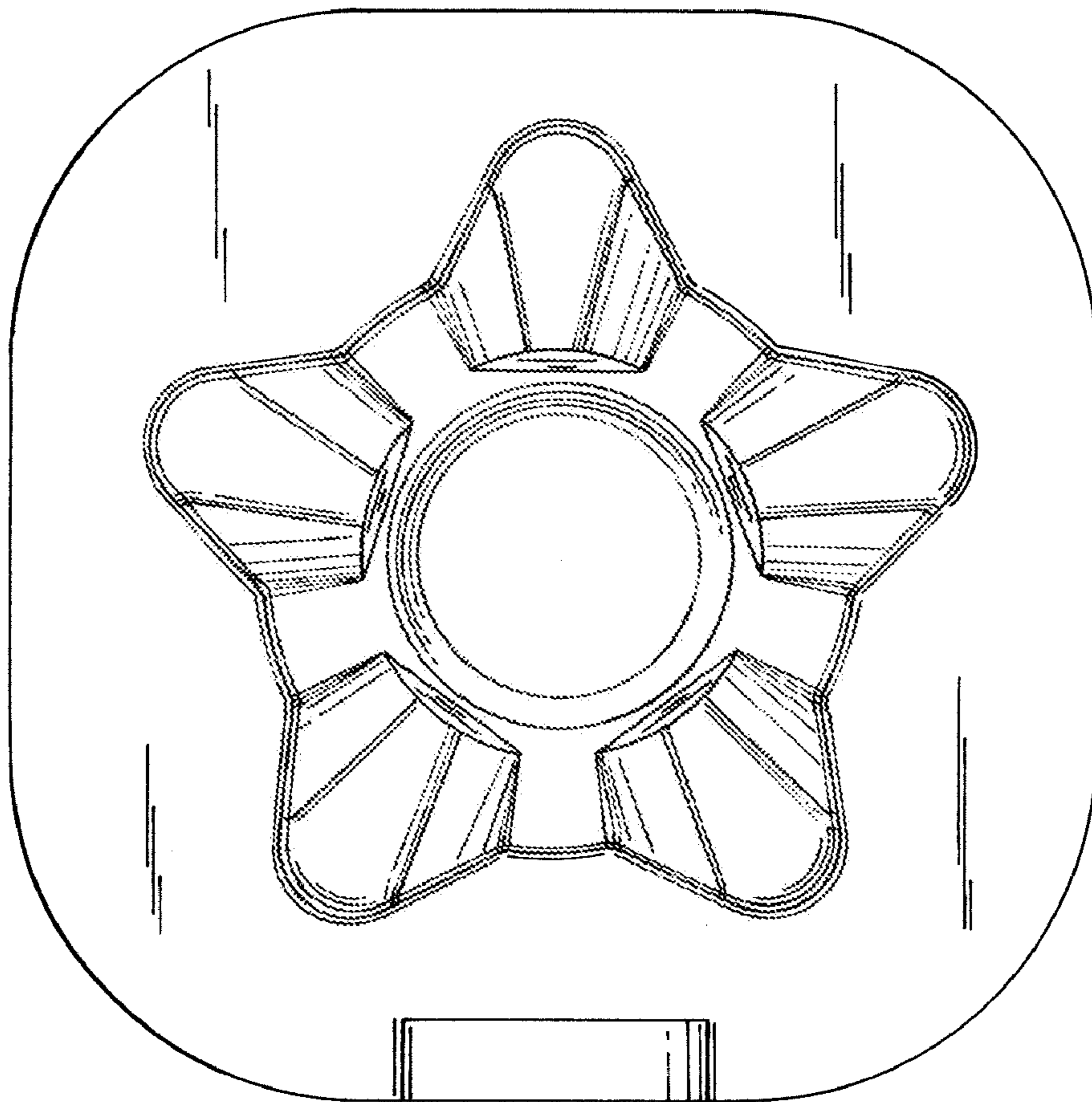


Fig. 3

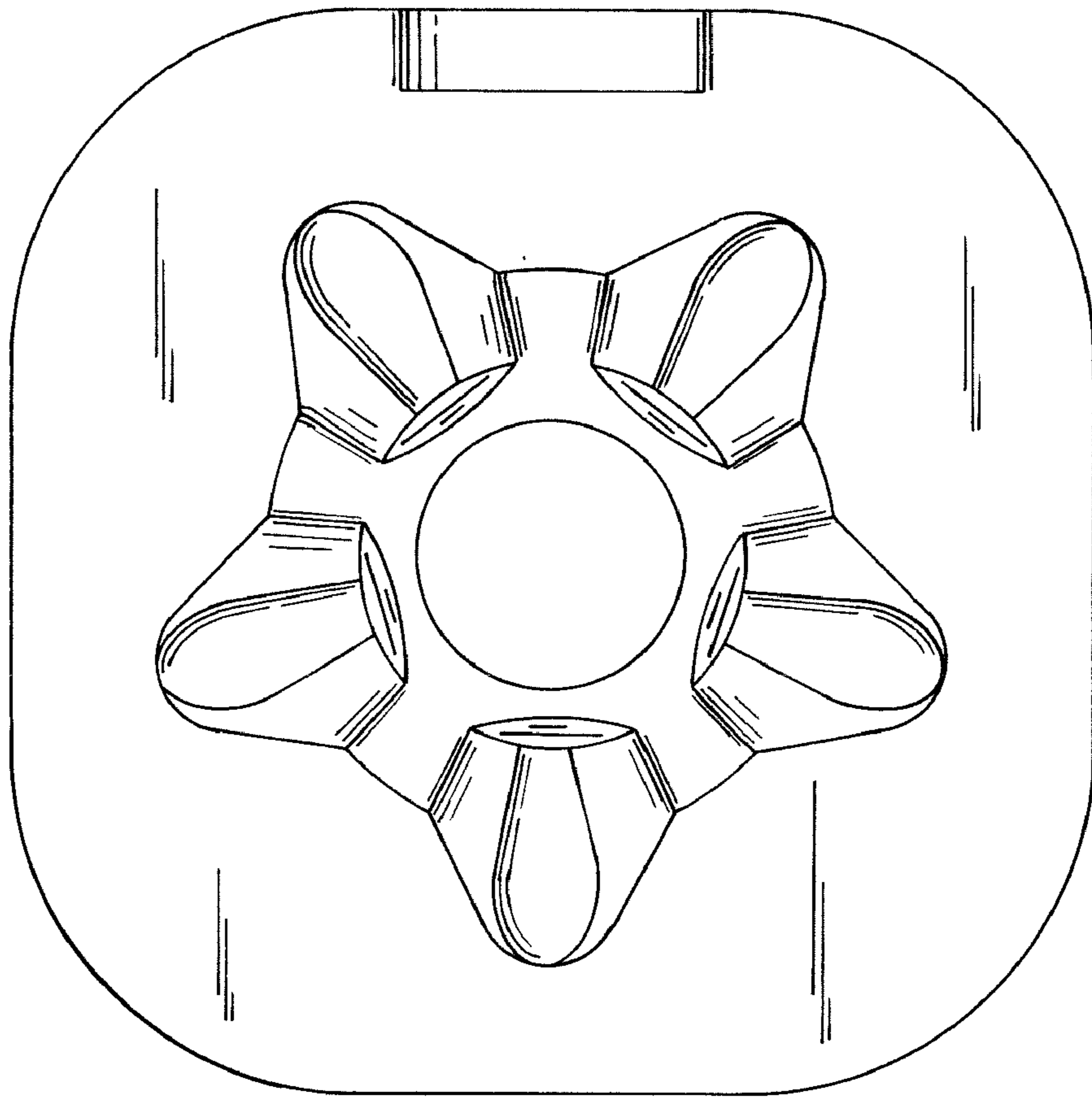


Fig. 4

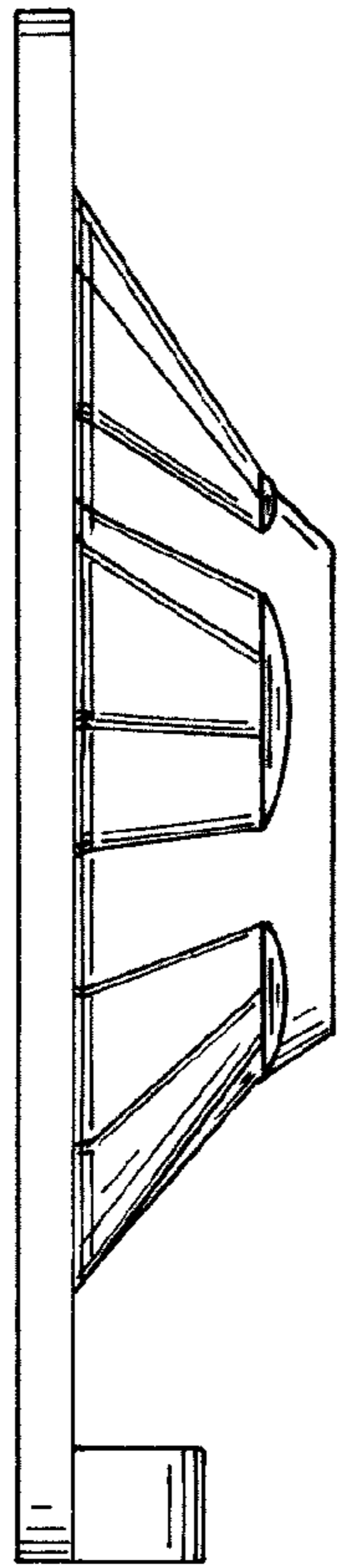


Fig. 5

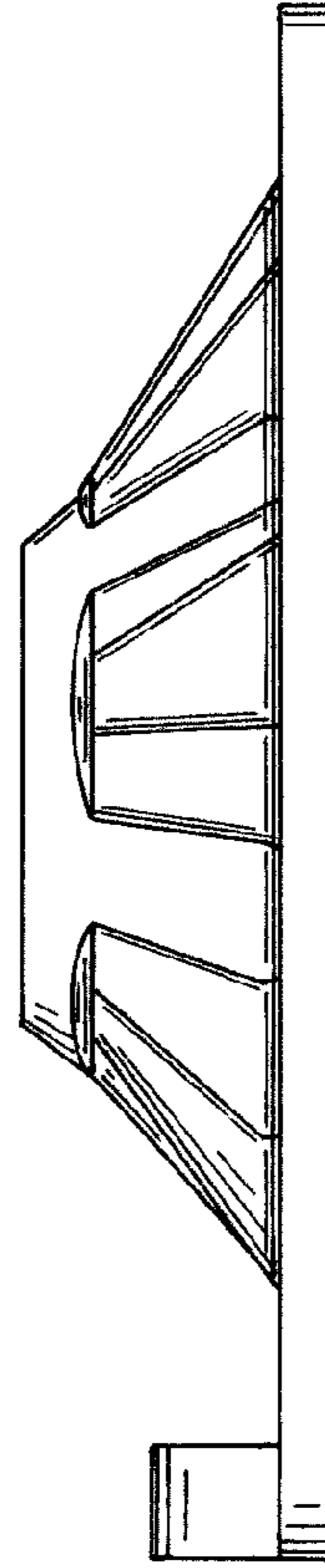


Fig. 6

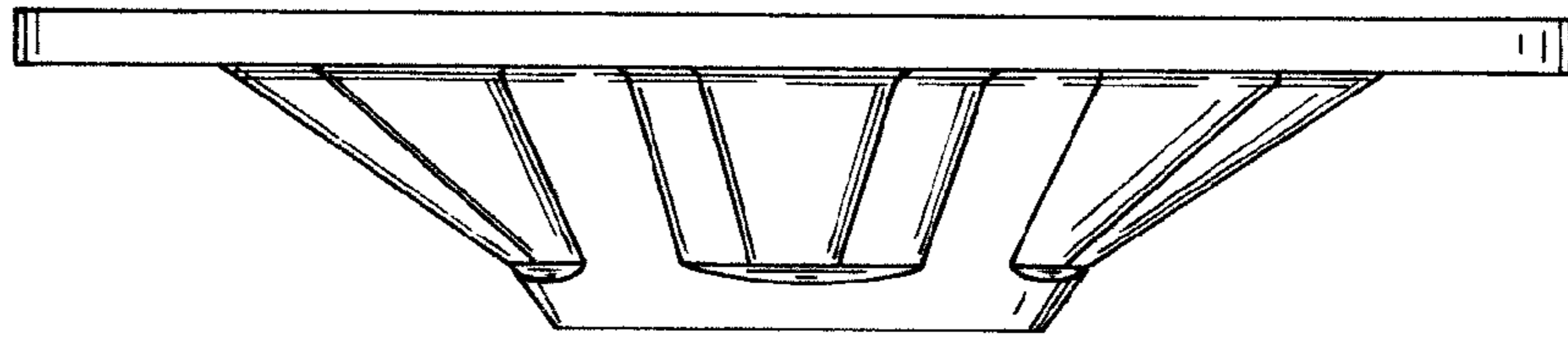


Fig. 7

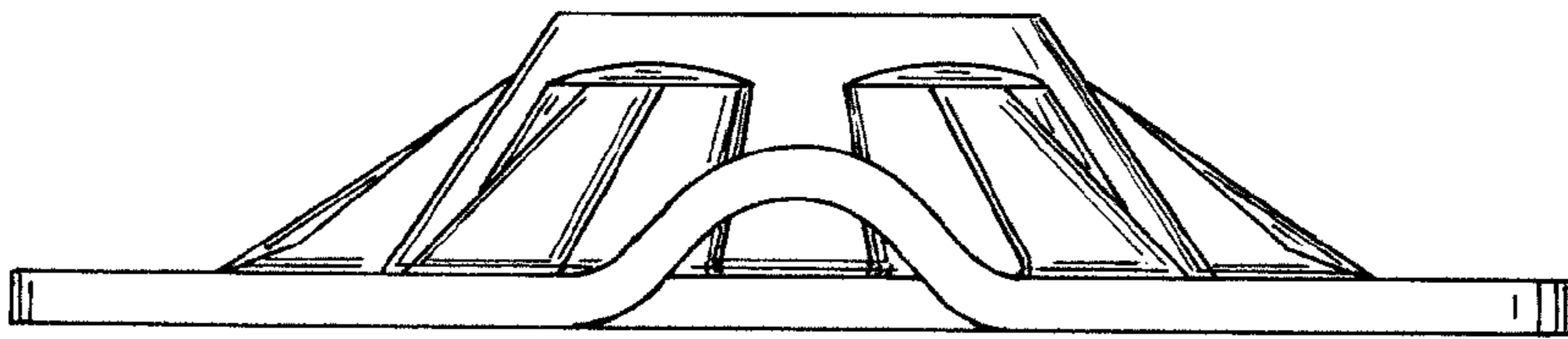


Fig. 8