



US00D647788S

(12) **United States Design Patent**
Weaver et al.

(10) **Patent No.:** **US D647,788 S**

(45) **Date of Patent:** **** *Nov. 1, 2011**

(54) **DUAL C CLIP**

(75) Inventors: **Colin Weaver**, Pleasanton, CA (US);
Martin Crnkovich, Walnut Creek, CA
(US)

(73) Assignee: **Fresenius Medical Care Holdings, Inc.**,
Waltham, MA (US)

(*) Notice: This patent is subject to a terminal dis-
claimer.

(**) Term: **14 Years**

(21) Appl. No.: **29/385,999**

(22) Filed: **Feb. 23, 2011**

(51) **LOC (9) Cl.** **08-08**

(52) **U.S. Cl.** **D8/396**

(58) **Field of Classification Search** D8/354,
D8/356, 371, 394-396; D19/65, 86; D24/128;
248/74.2, 215, 227.1, 49, 300, 301, 316.7,
248/51, 489; 24/570, 3.12; D3/203.2, 203.3;
D21/392

See application file for complete search history.

(56) **References Cited**

U.S. PATENT DOCUMENTS

4,244,544	A *	1/1981	Kornat	248/68.1
D274,213	S *	6/1984	Omata	D8/356
D295,724	S *	5/1988	Shioda	D8/396
D295,725	S *	5/1988	Shioda	D8/396
D309,280	S *	7/1990	Balfanz-Lee	D11/215

D375,890	S *	11/1996	Takai	D8/380
6,109,569	A *	8/2000	Sakaida	248/75
6,405,414	B1 *	6/2002	Byrnes et al.	24/339
6,543,100	B1 *	4/2003	Finley et al.	24/555
D537,331	S *	2/2007	Hill	D8/395
7,490,727	B2 *	2/2009	Spiers et al.	211/89.01
7,527,012	B2 *	5/2009	Kutny Splaine	114/343
D597,403	S *	8/2009	Ho et al.	D8/396
D619,452	S *	7/2010	Ollila	D8/396
D631,740	S *	2/2011	Wood	D8/396

* cited by examiner

Primary Examiner — Celia A. Murphy

Assistant Examiner — John Windmuller

(74) *Attorney, Agent, or Firm* — Kilyk & Bowersox,
P.L.L.C.

(57) **CLAIM**

The ornamental design for a dual C clip, as shown and
described.

DESCRIPTION

FIG. 1 is an end view of a dual C clip showing our new design;
FIG. 2 is a perspective view thereof, as seen from a top side
vantage point;

FIG. 3 is a left side view thereof;

FIG. 4 is a right side view thereof;

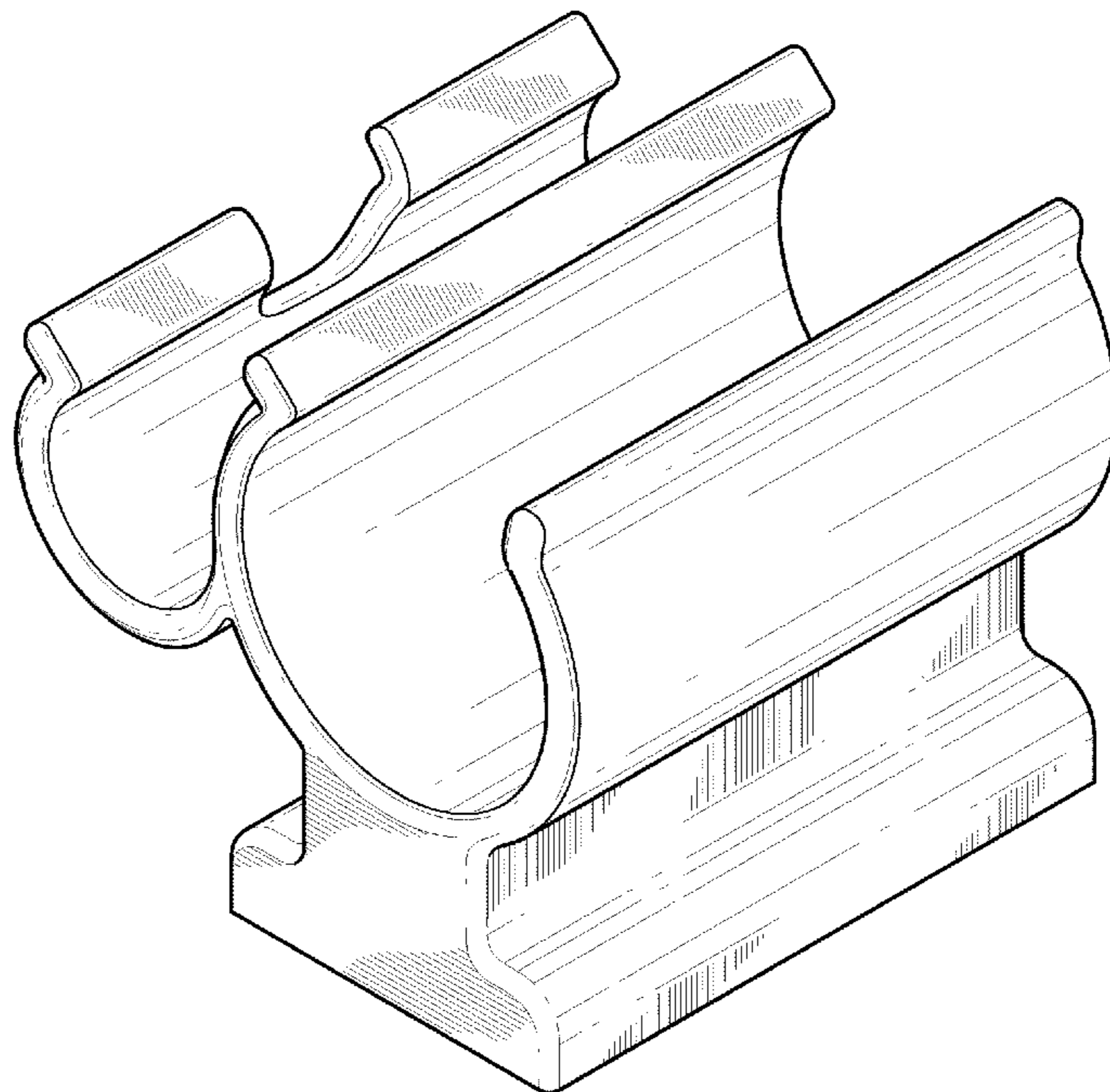
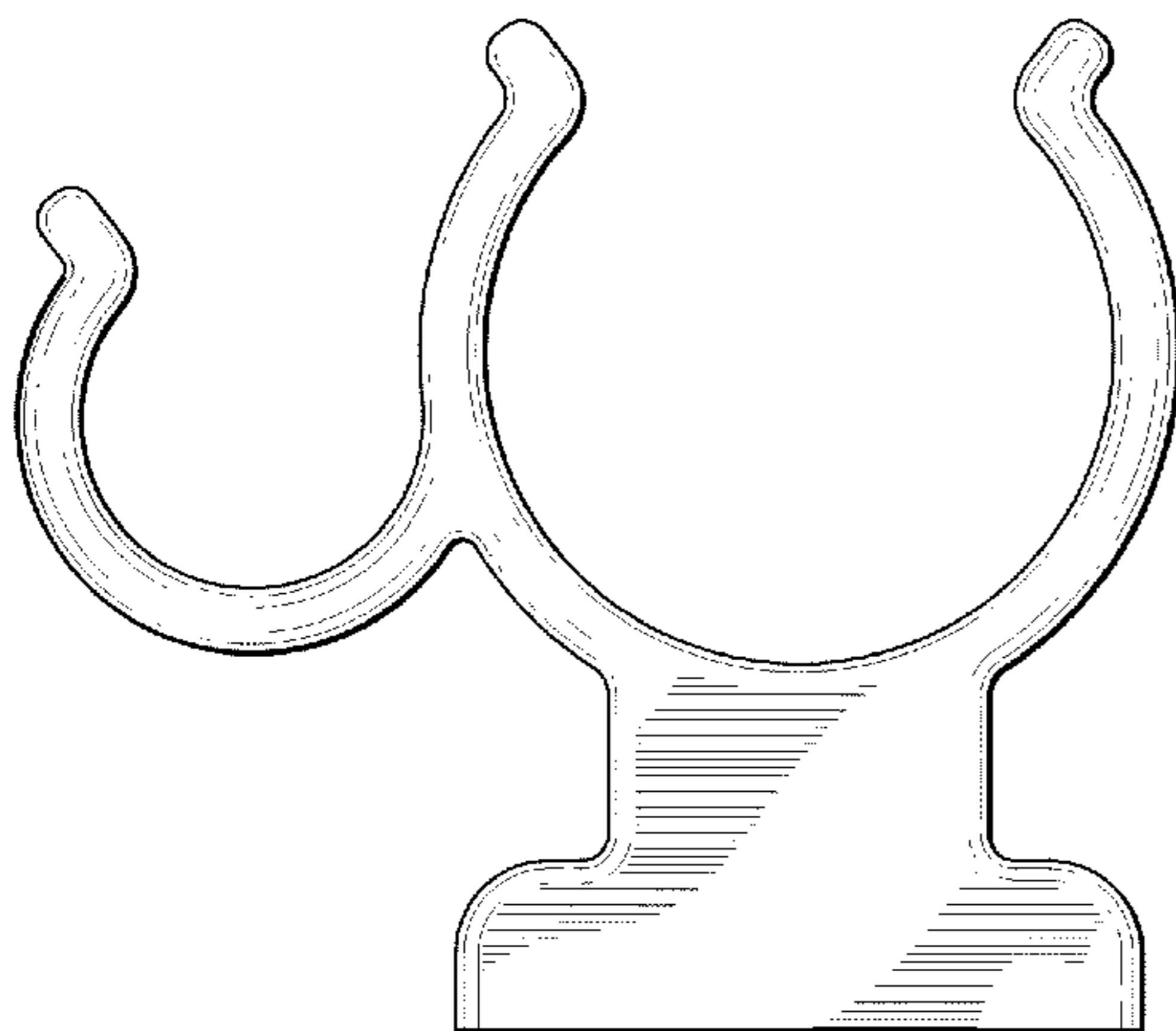
FIG. 5 is a top plan view thereof;

FIG. 6 is a bottom plan view thereof; and,

FIG. 7 is a perspective view thereof, as seen from a bottom
side vantage point.

The broken lines in the figures indicate portions of the clip
which form no part of the claimed design.

1 Claim, 4 Drawing Sheets



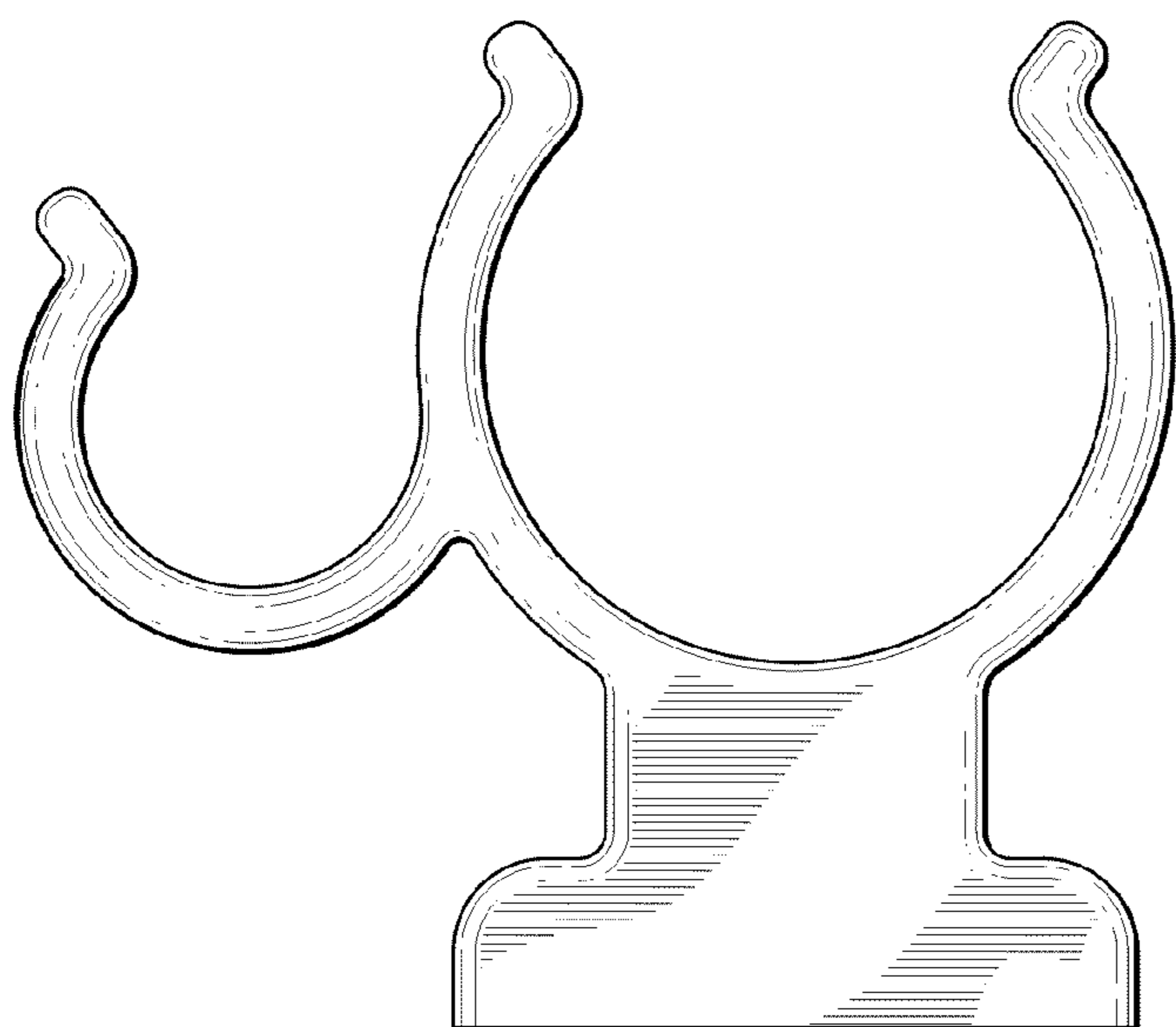


FIG. 1

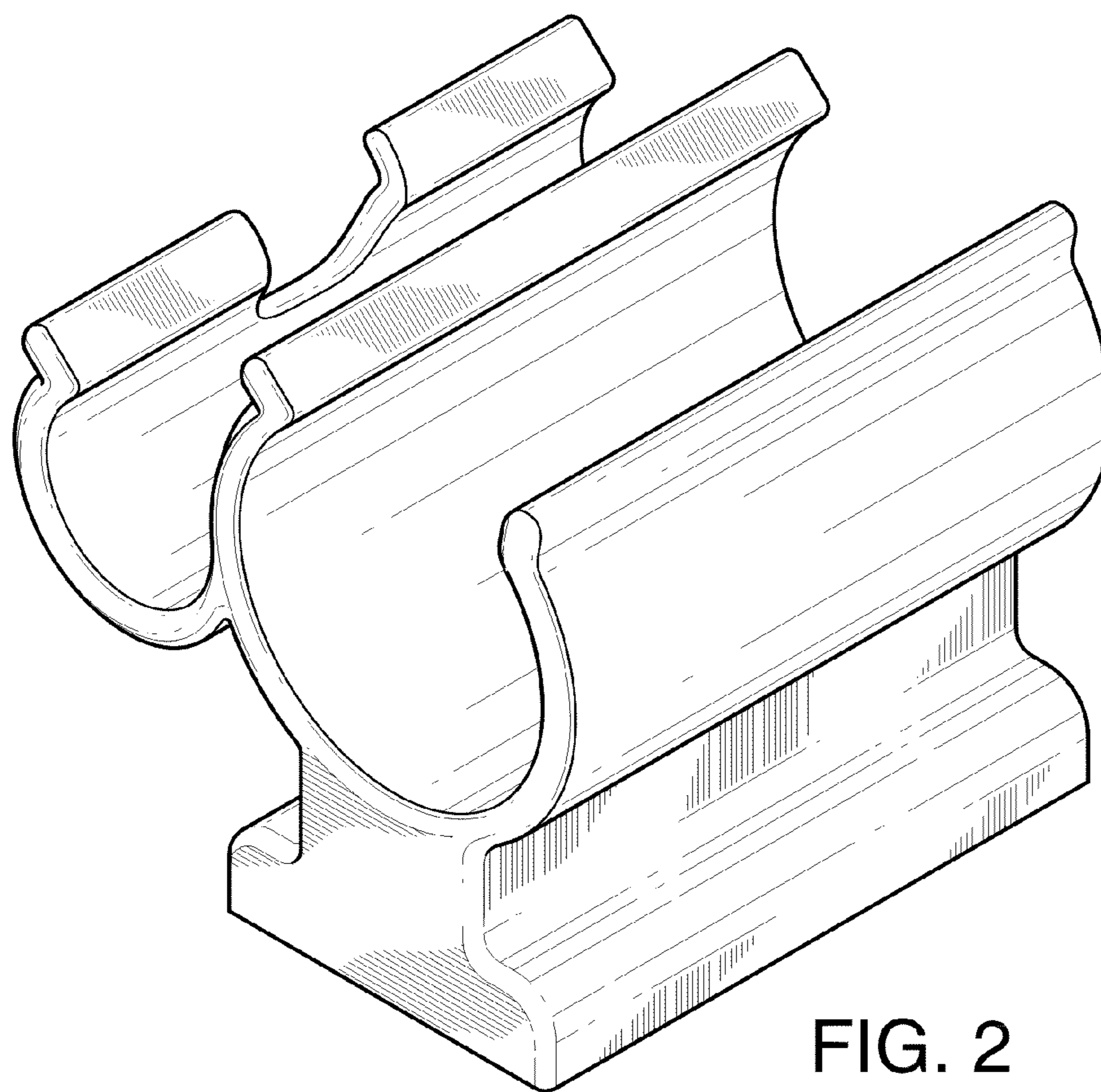


FIG. 2

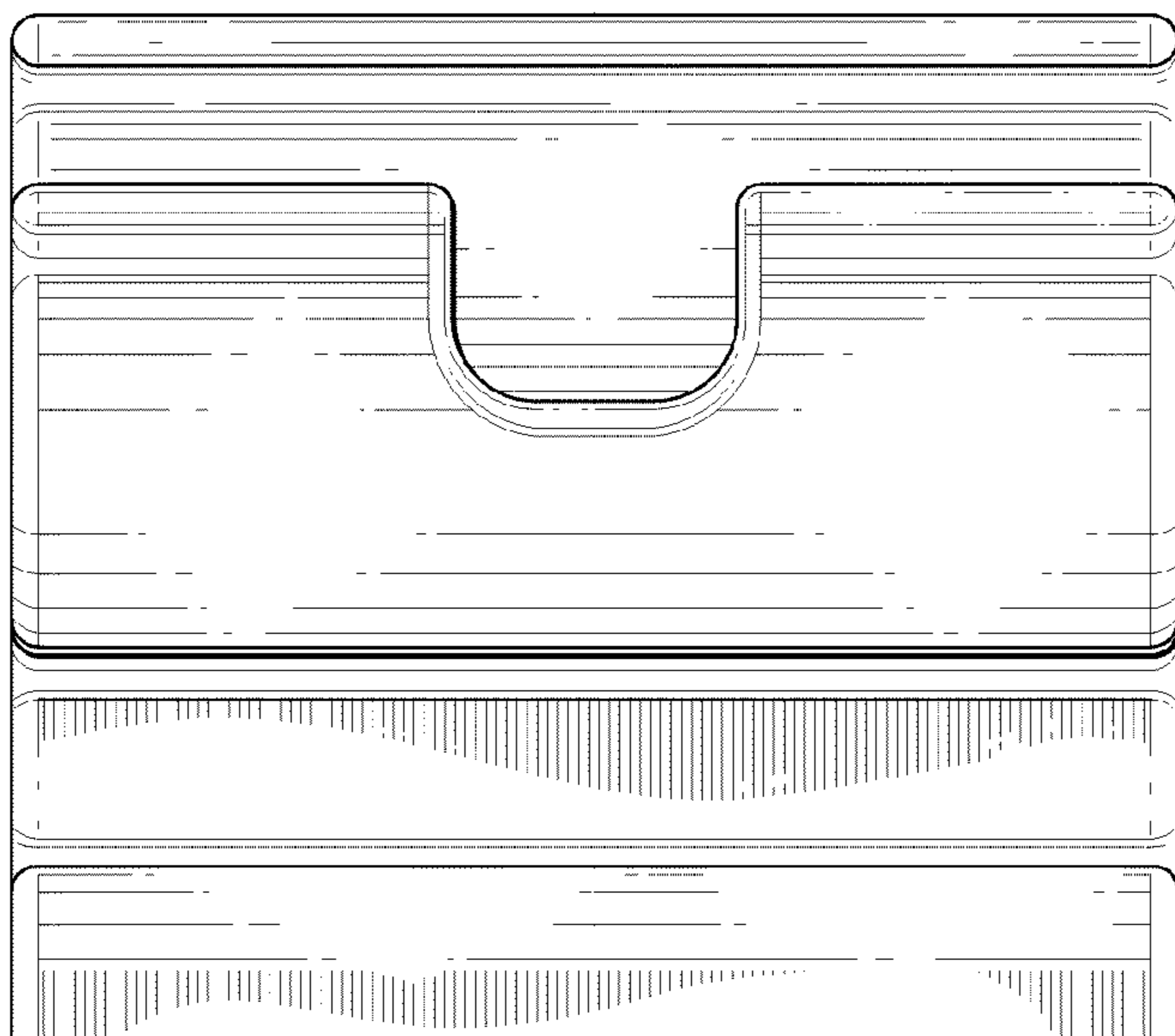


FIG. 3

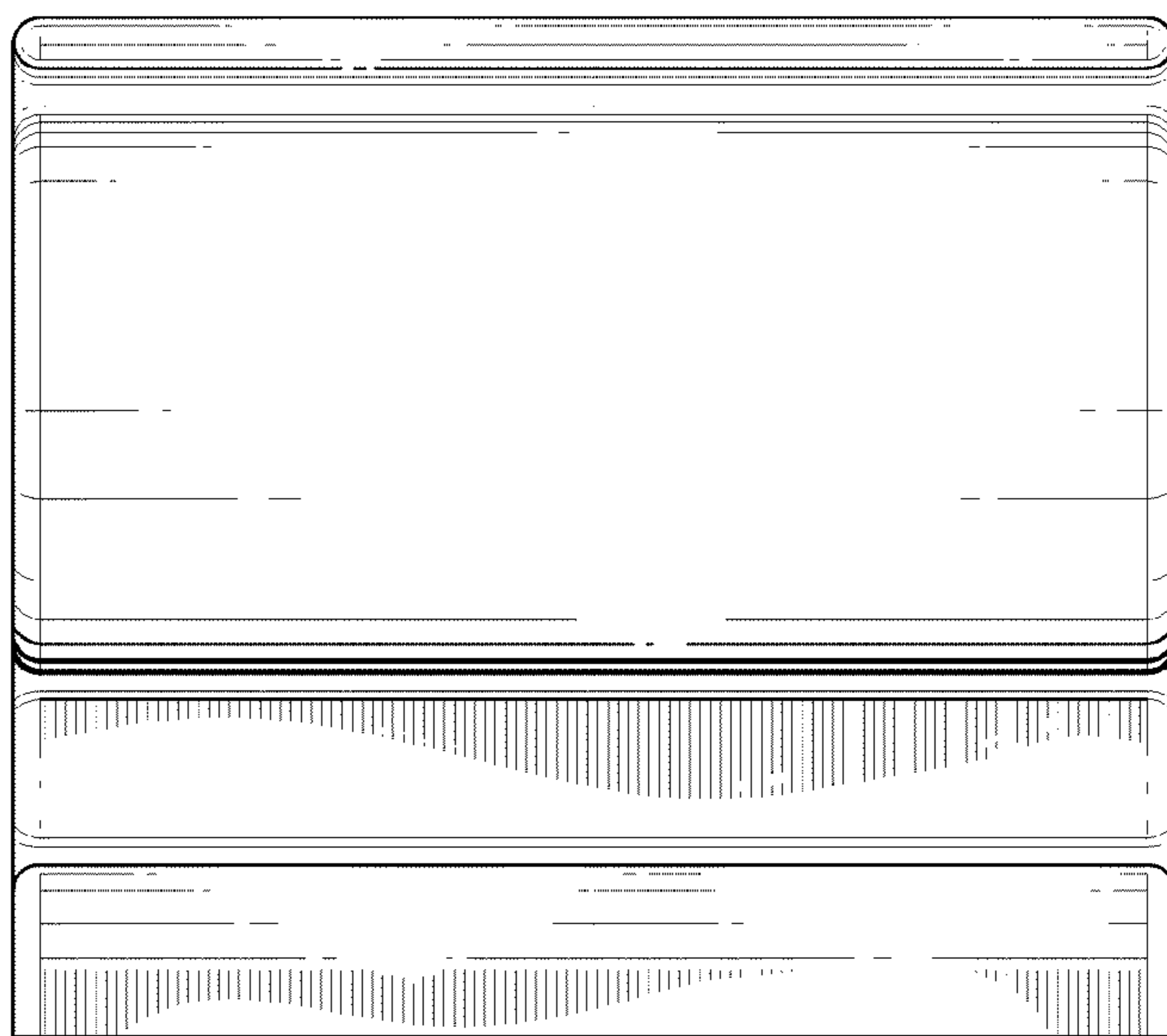


FIG. 4

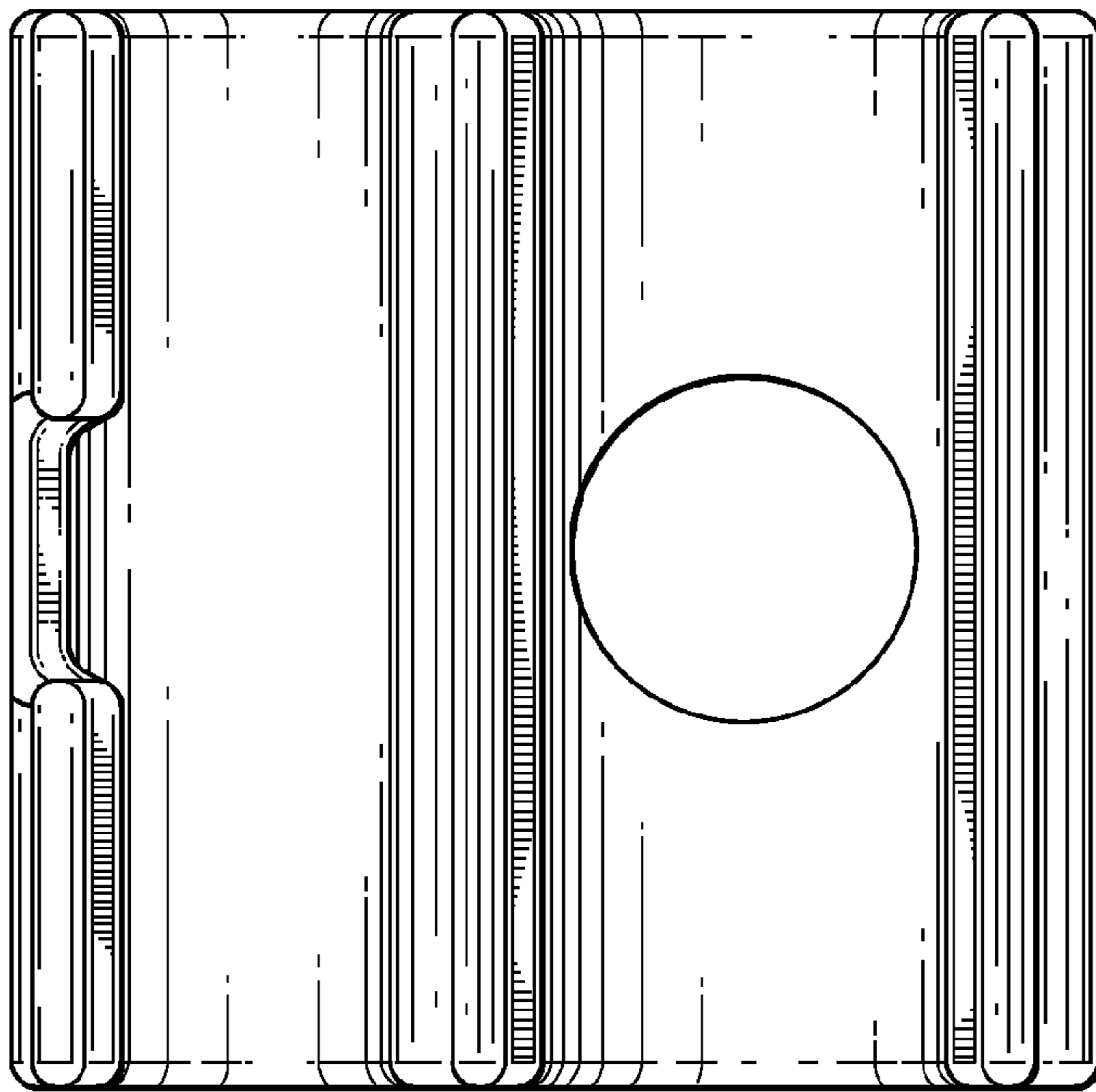


FIG. 5

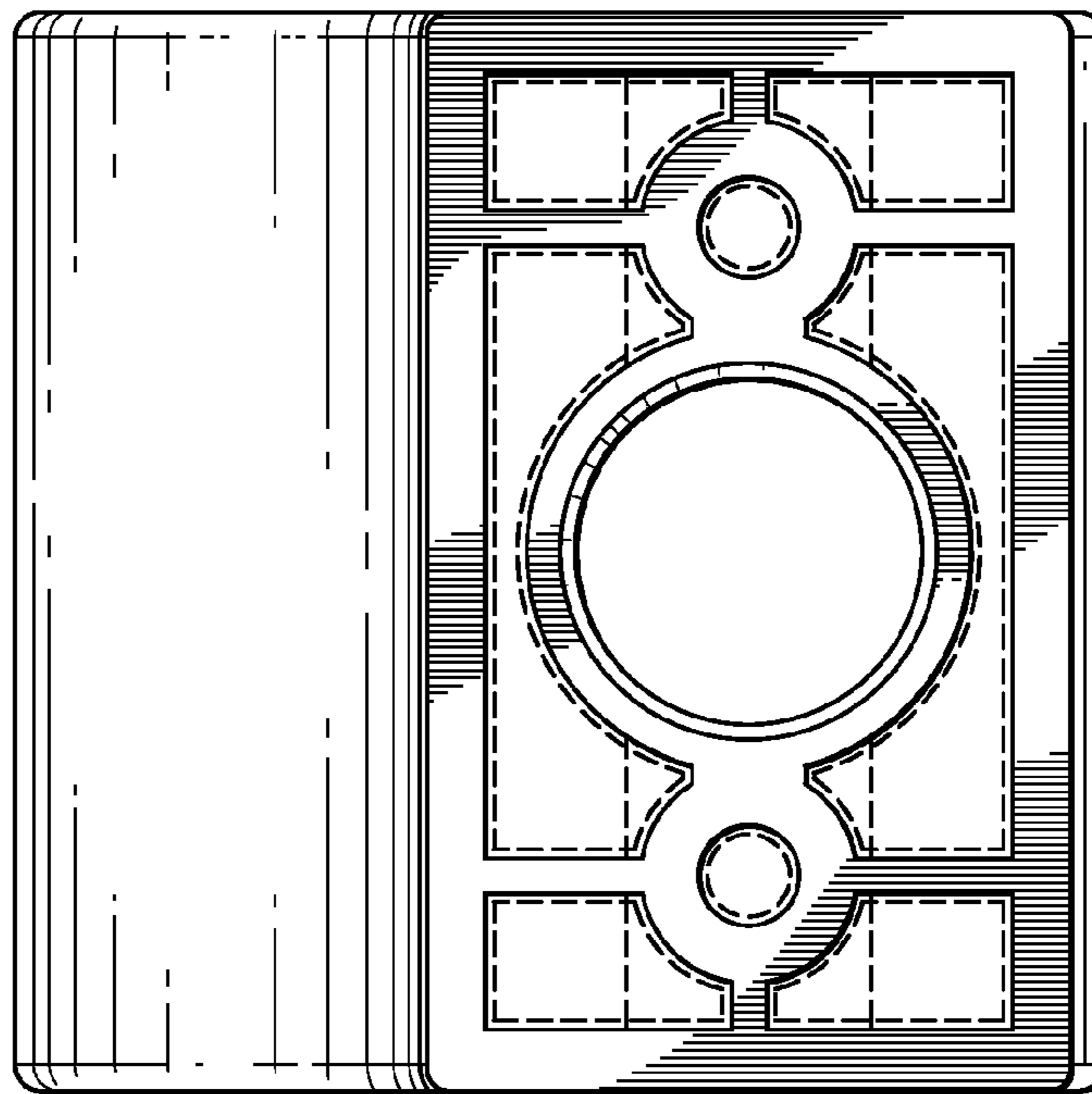


FIG. 6

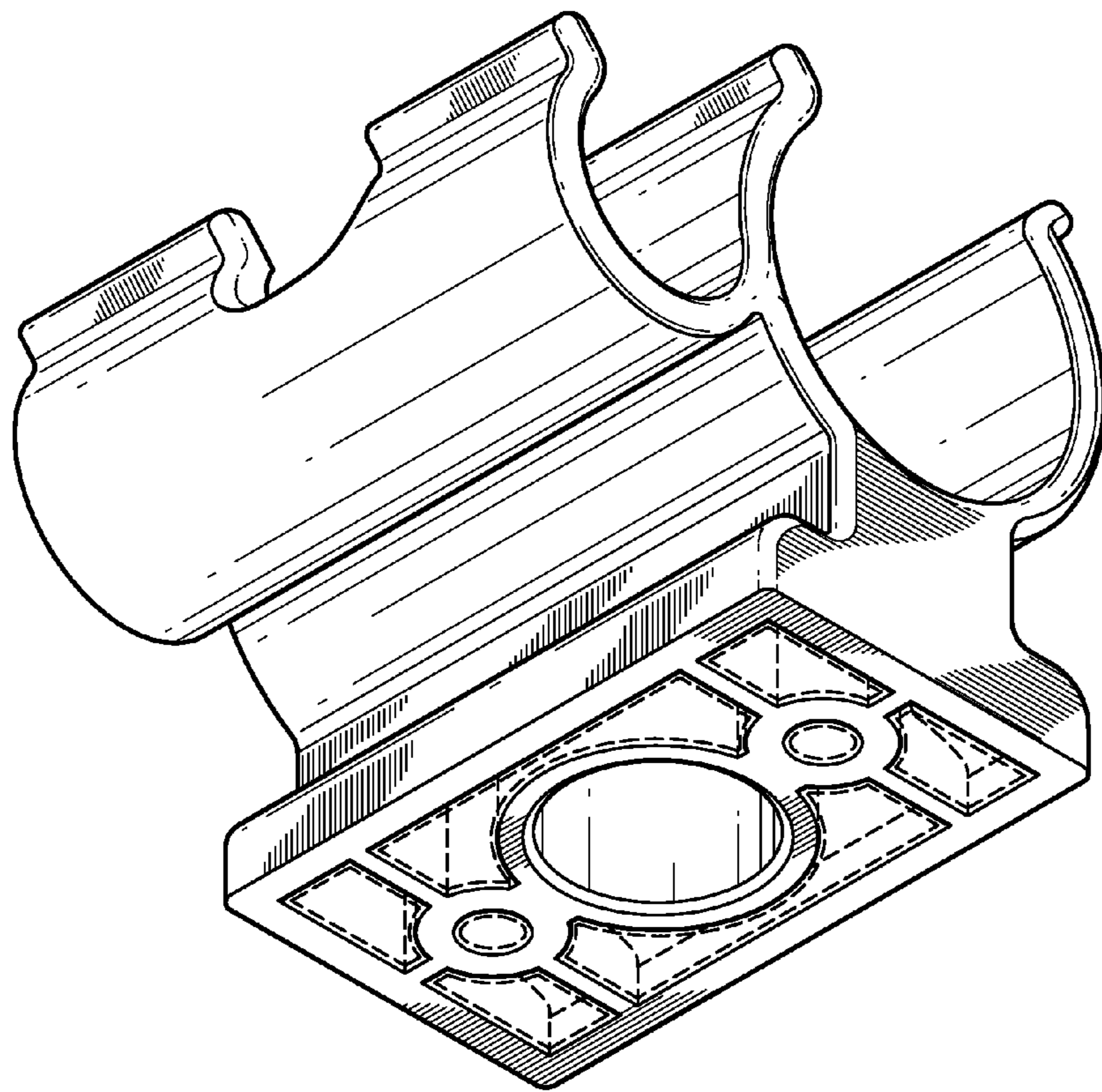


FIG. 7