



US00D647787S

(12) **United States Design Patent**  
**Duval**

(10) **Patent No.:** **US D647,787 S**

(45) **Date of Patent:** **\*\* Nov. 1, 2011**

(54) **CORD IDENTIFICATION CLIP**

(76) Inventor: **Earl Wilbur Duval**, Stoneham, MA  
(US)

(\*\*) Term: **14 Years**

(21) Appl. No.: **29/389,466**

(22) Filed: **Apr. 12, 2011**

(51) **LOC (9) Cl.** ..... **08-08**

(52) **U.S. Cl.** ..... **D8/394; D8/395**

(58) **Field of Classification Search** ..... D8/356,  
D8/371, 394-396; D19/65, 34; D24/128;  
24/570, 128, 67.9, 66.13; 248/74.2, 215,  
248/227.1, 49, 300, 301, 316.7, 51, 489;  
D11/214, 215, 78.1; 116/237

See application file for complete search history.

(56) **References Cited**

**U.S. PATENT DOCUMENTS**

D218,515	S	*	8/1970	Tomaiuolo	.....	D9/434
3,688,508	A	*	9/1972	Taylor	.....	405/278
D248,433	S	*	7/1978	McCollum	.....	D6/552
4,406,042	A	*	9/1983	McPhee	.....	24/130
D421,715	S	*	3/2000	Won	.....	D8/395
6,282,762	B1	*	9/2001	Wall	.....	24/573.09
6,517,031	B2	*	2/2003	Uchiyama	.....	248/68.1
D482,269	S	*	11/2003	Martello	.....	D8/395
D526,888	S	*	8/2006	Heindl	.....	D8/382

D530,190	S	*	10/2006	Wall	.....	D8/382
D534,065	S	*	12/2006	Andre et al.	.....	D8/395
D542,633	S	*	5/2007	Heindl	.....	D8/382

\* cited by examiner

*Primary Examiner* — David Muller

*Assistant Examiner* — John Windmuller

(74) *Attorney, Agent, or Firm* — Travis L. Johnson;  
Ascentage Law, PLLC

(57) **CLAIM**

The ornamental design for a cord identification clip, as shown and described.

**DESCRIPTION**

FIG. 1 is a top perspective view of a cord identification clip showing my new design;

FIG. 2 is a bottom perspective view thereof;

FIG. 3 is a side elevational view of one side thereof, the opposite side being a mirror image of the side shown;

FIG. 4 is an elevational front view thereof;

FIG. 5 is an elevational rear view thereof;

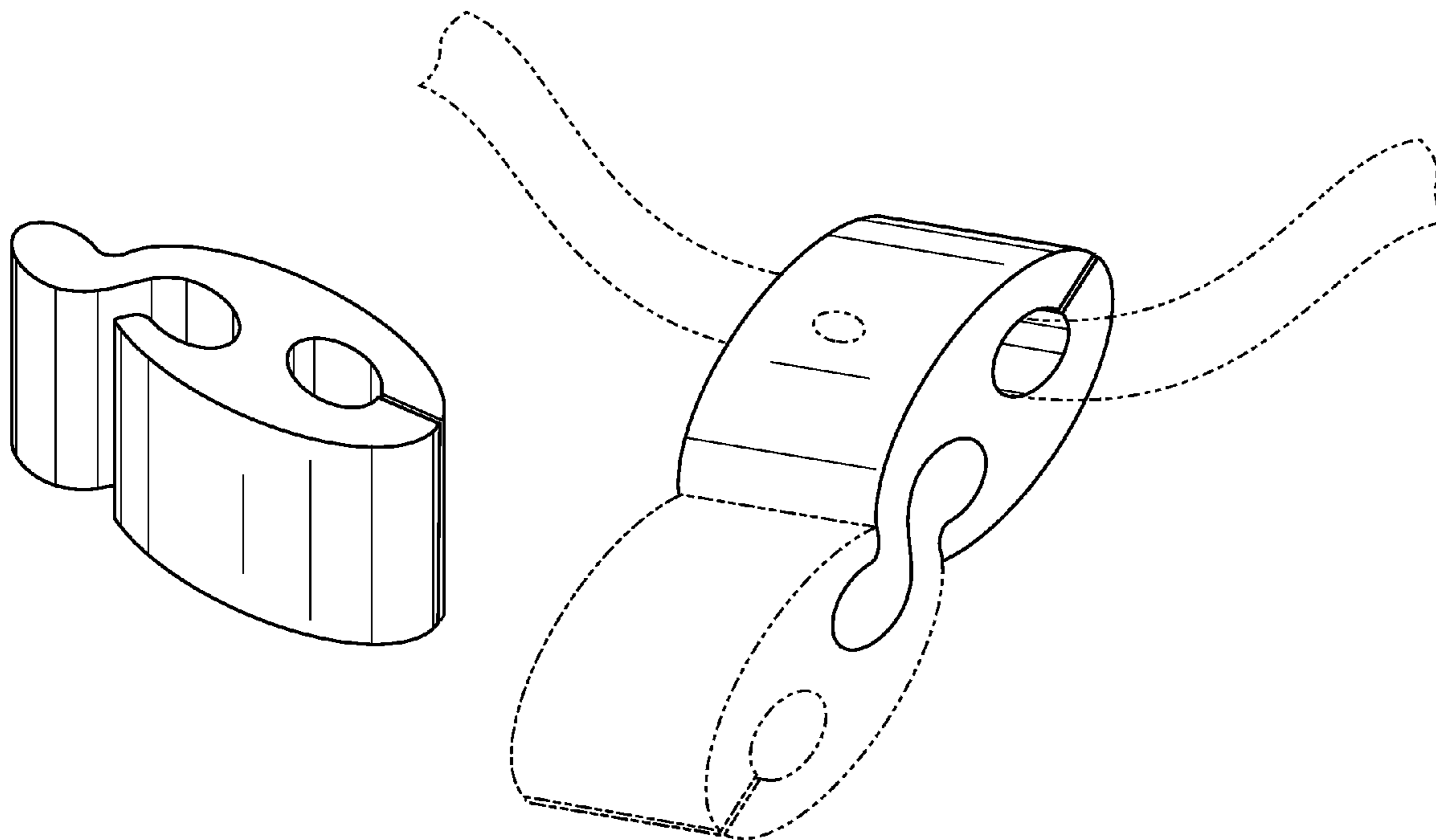
FIG. 6 is a top plan view thereof;

FIG. 7 is a bottom plan view thereof; and,

FIG. 8 is a side perspective view thereof, showing the cord identification clip attached to a cord and interconnected with a second cord identification clip.

The broken line oval in the figures represents a portion of the clip which is not part of the claimed design. The additional broken lines in FIG. 8 represent environment only and are not part of the claimed design.

**1 Claim, 4 Drawing Sheets**



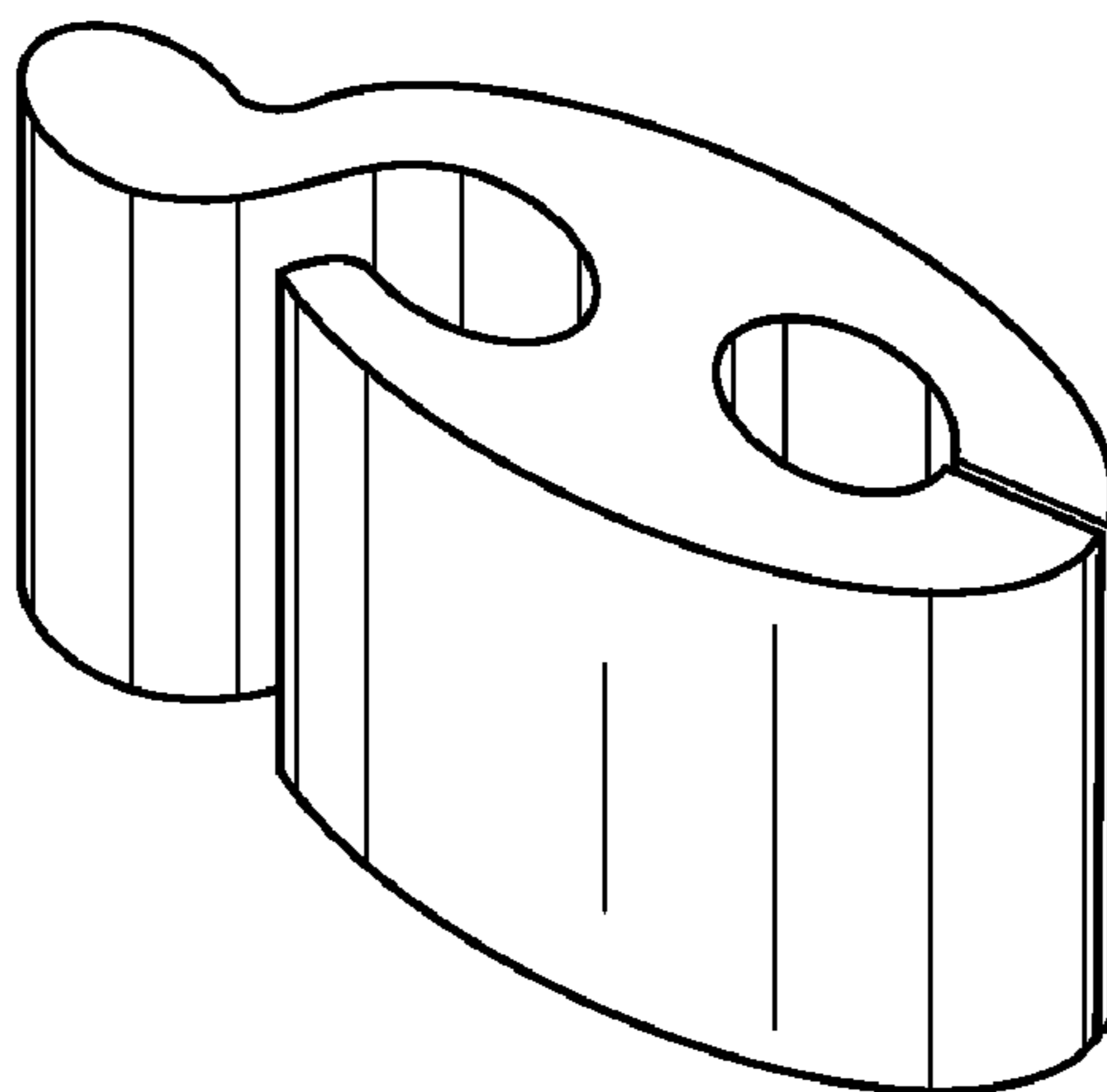


FIG. 1

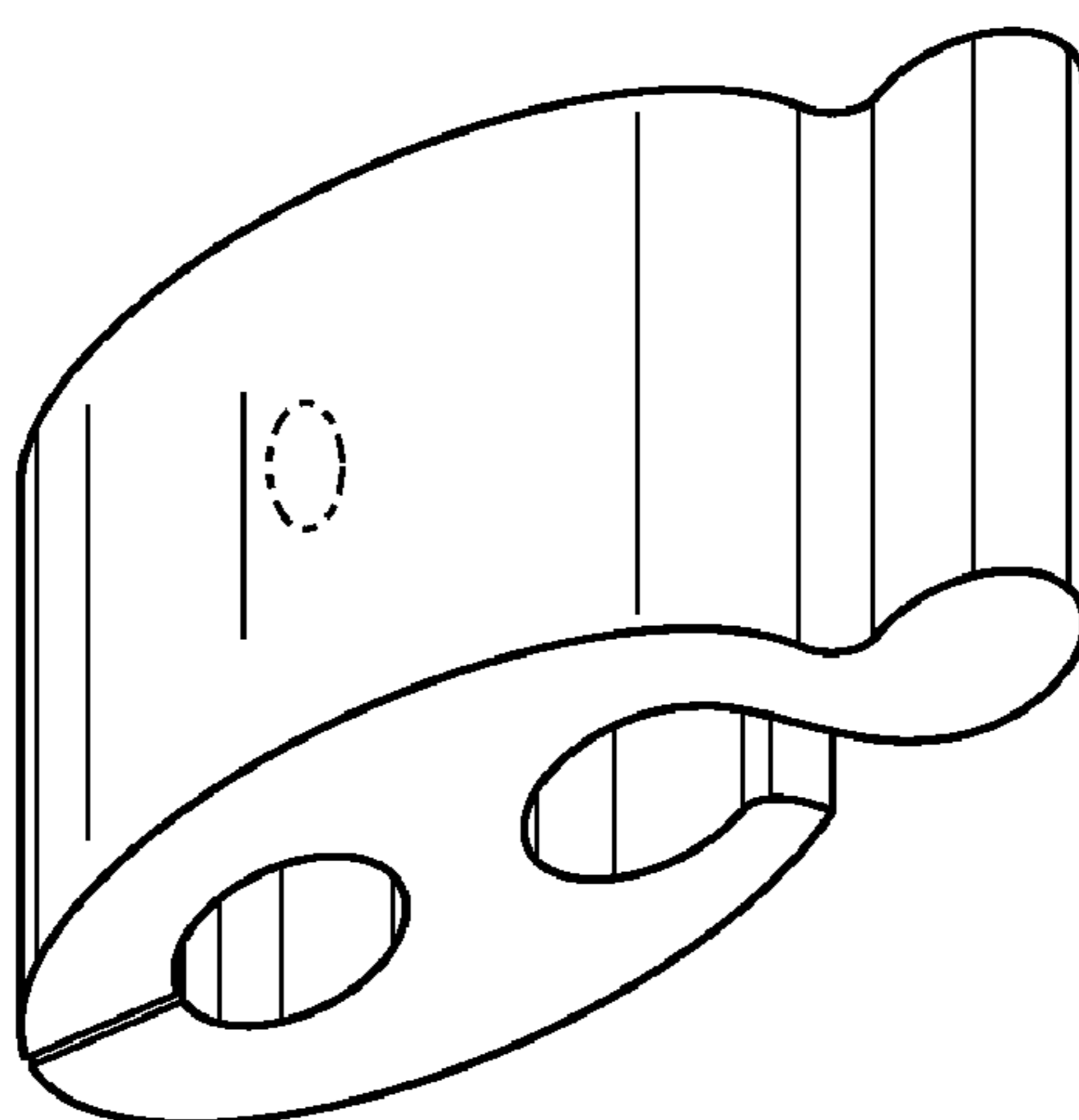


FIG. 2

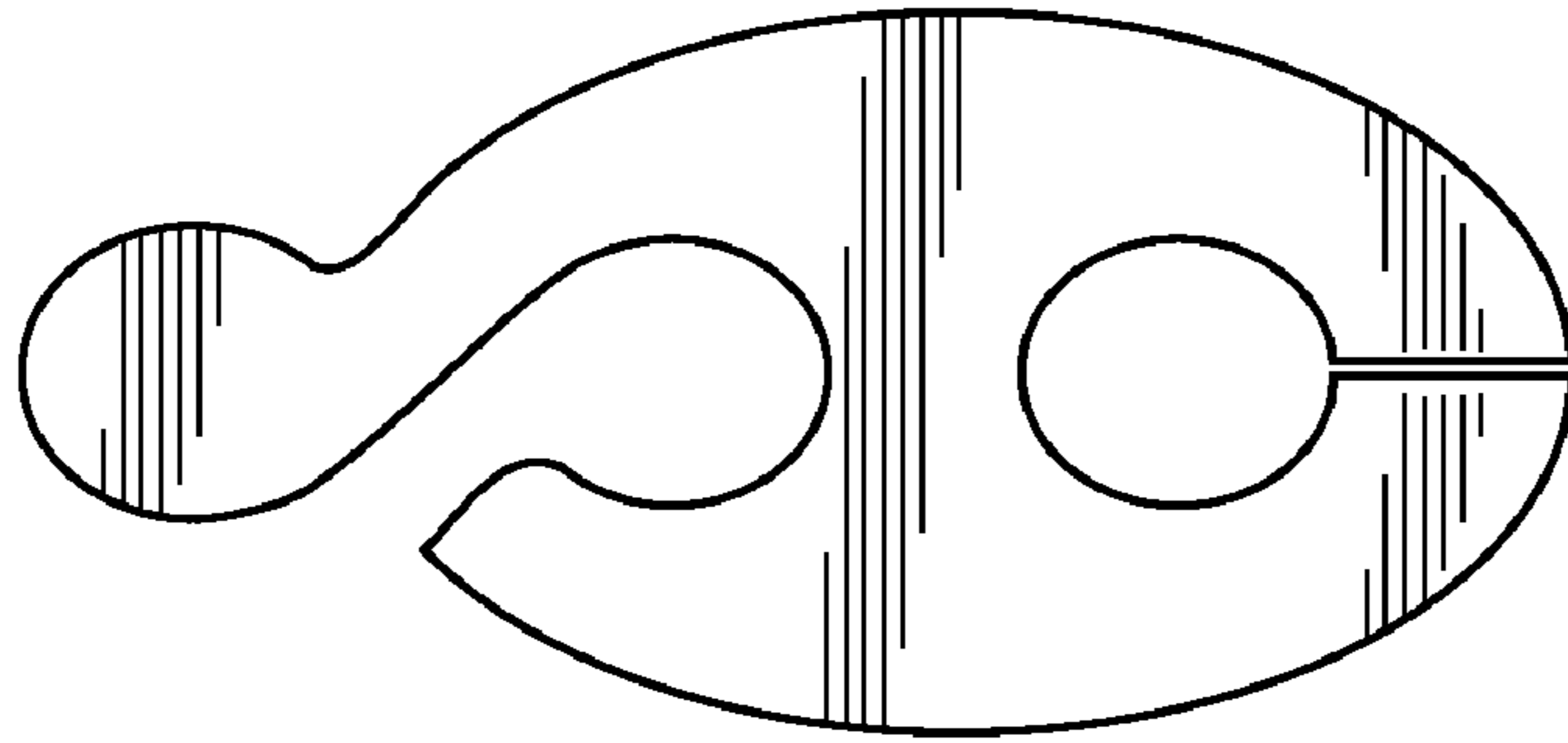


FIG. 3

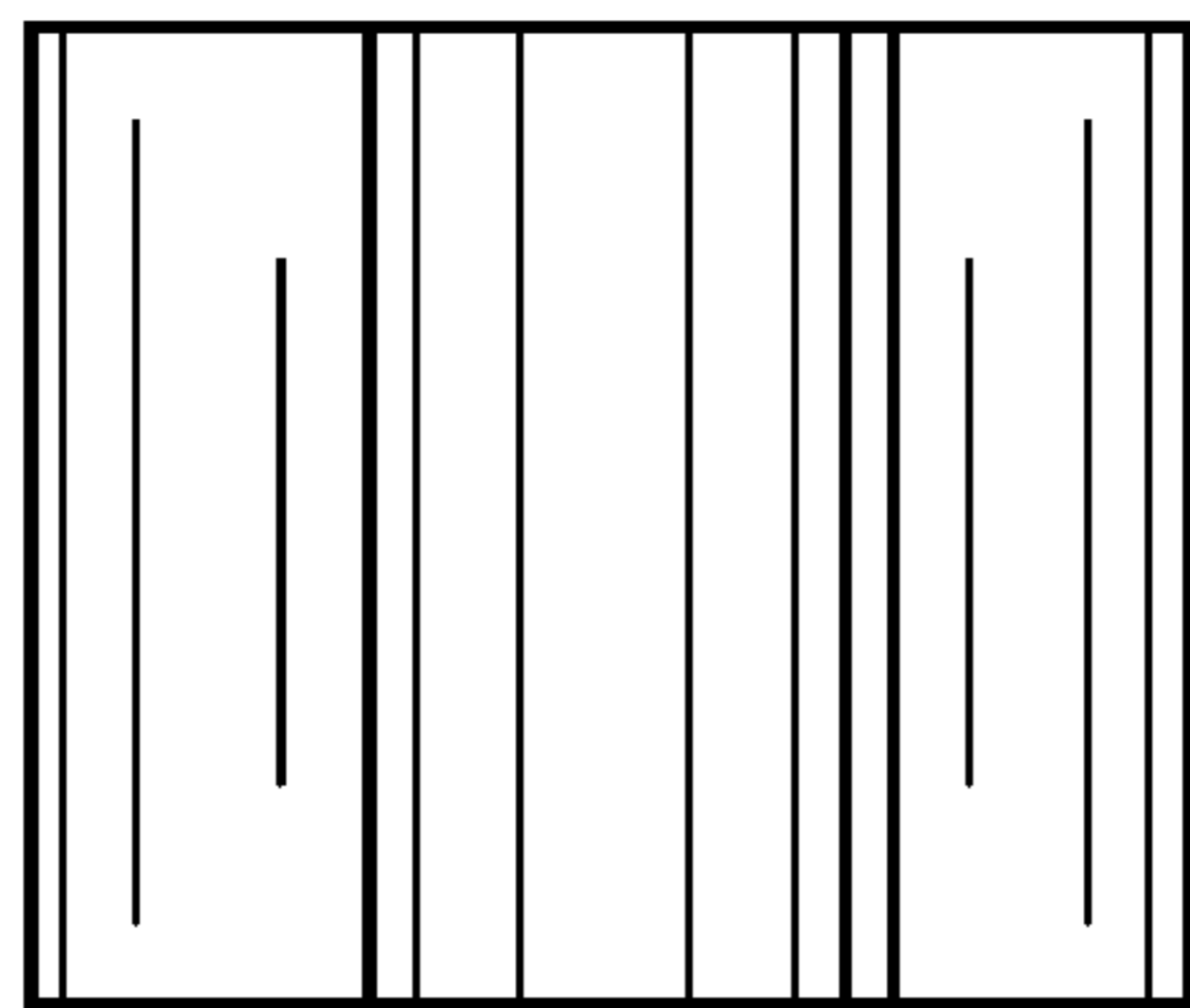


FIG. 4

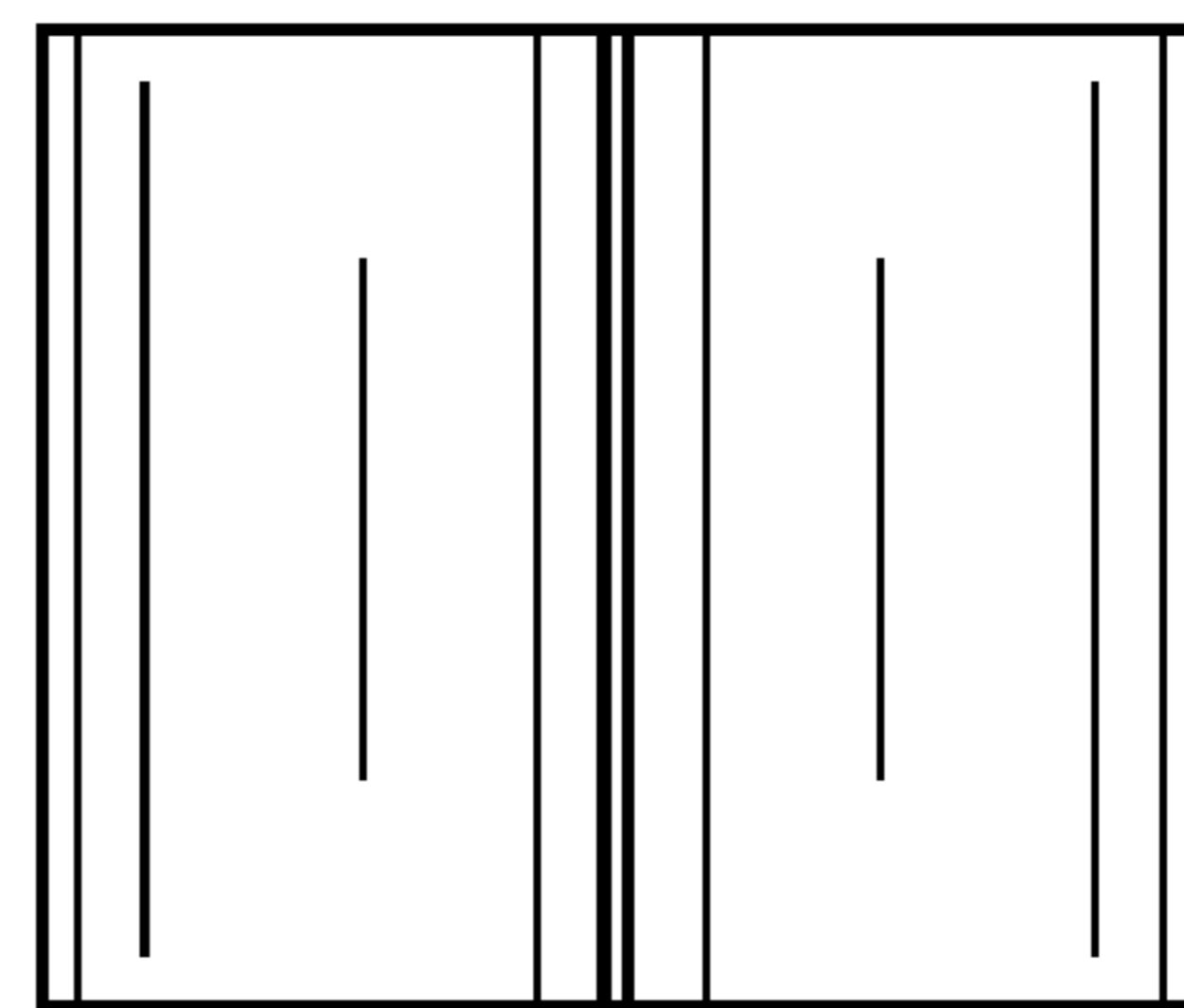


FIG. 5



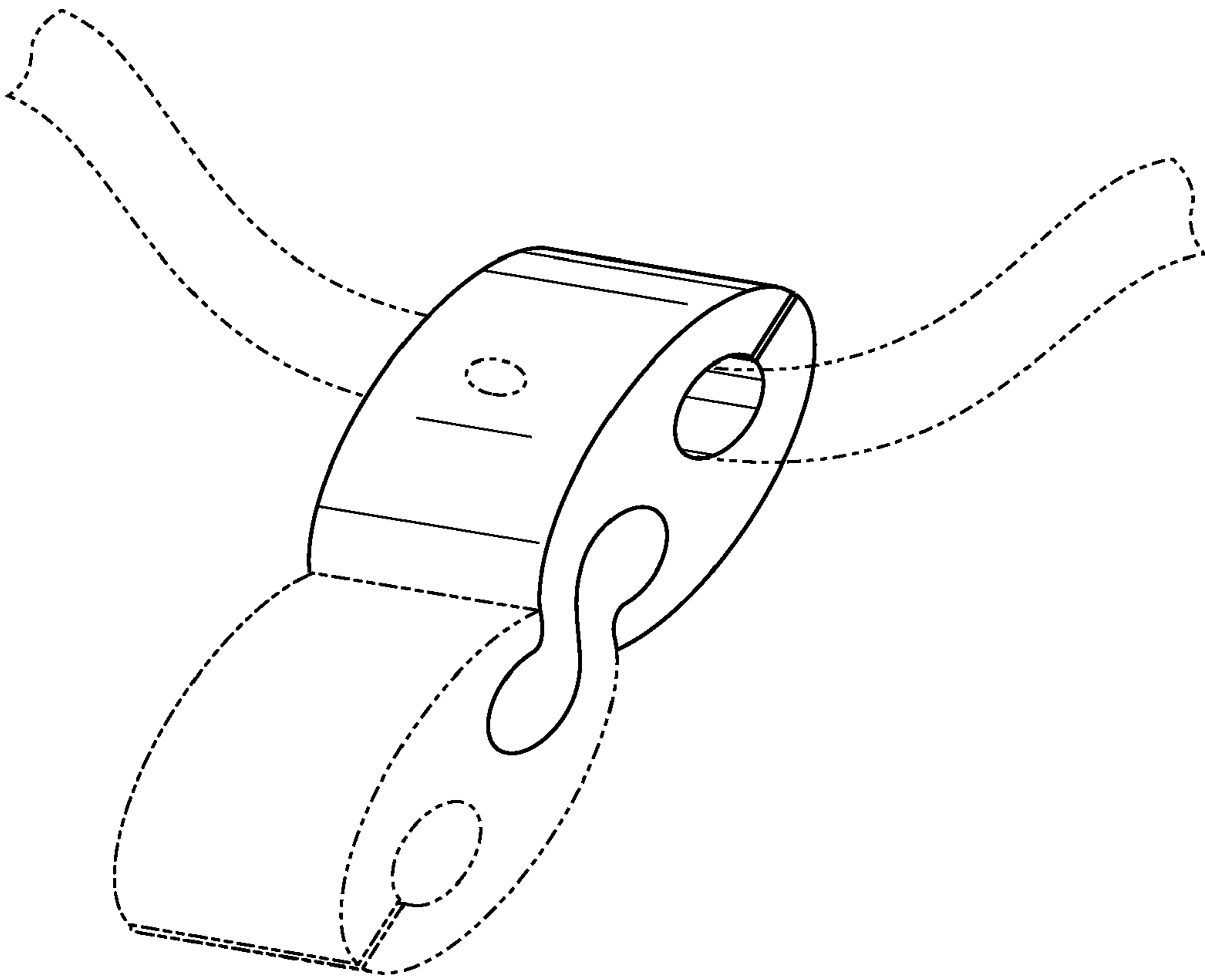


FIG. 8