



US00D647785S

(12) **United States Design Patent**  
**Hecht**

(10) **Patent No.:** **US D647,785 S**

(45) **Date of Patent:** **\*\* Nov. 1, 2011**

(54) **FLOW REGULATOR FRAME**

(75) Inventor: **Thomas R. Hecht**, Winters, CA (US)

(73) Assignee: **Automatic Bar Controls, Inc.**,  
Vacaville, CA (US)

(\*\*) Term: **14 Years**

(21) Appl. No.: **29/380,321**

(22) Filed: **Dec. 2, 2010**

(51) **LOC (9) Cl.** ..... **08-05**

(52) **U.S. Cl.** ..... **D8/356**

(58) **Field of Classification Search** ..... D23/233-237,  
D23/244-249; D8/105, 107, 333, 349, 354,  
D8/356, 367, 373, 382, 383, 394, 396, 400;  
D12/223; D13/154, 155, 184; 174/68.1,  
174/68.3, 72 A, 72 R, 80, 97, 101, 135, 153 G,  
174/480, 481, 504, 650, 656; 248/65, 74.1-74.4,  
248/201, 214, 215, 218.4, 219.1, 219.3-219.4,  
248/229.26, 300, 302, 304, 316.7, 316.8;  
439/131, 135, 142, 365, 368, 371, 472, 501,  
439/719; 361/826; 365/134, 135

See application file for complete search history.

(56) **References Cited**

**U.S. PATENT DOCUMENTS**

D442,260 S *	5/2001	Marzec et al.	.....	D23/233
D476,718 S *	7/2003	Ferrer Beltran	.....	D23/209
D478,965 S *	8/2003	Ferrer Beltran	.....	D23/233
D502,762 S *	3/2005	Kriegshauser	.....	D23/233

D504,715 S *	5/2005	Hagihara	.....	D23/235
D538,889 S *	3/2007	Marstorp	.....	D23/233
D539,387 S *	3/2007	Donovan et al.	.....	D23/233
D559,955 S *	1/2008	Donovan et al.	.....	D23/233
D616,730 S *	6/2010	Dennes	.....	D8/356
D625,168 S *	10/2010	Chen	.....	D8/354
D625,381 S *	10/2010	Asaoka	.....	D22/120
7,825,337 B2 *	11/2010	Young, IV	.....	174/72 A
D638,691 S *	5/2011	Hoek	.....	D8/356

\* cited by examiner

*Primary Examiner* — Cathron C. Brooks

*Assistant Examiner* — Maurice Stevens

(74) *Attorney, Agent, or Firm* — Kilpatrick Townsend & Stockton LLP

(57) **CLAIM**

The ornamental design for a flow regulator frame, as shown and described.

**DESCRIPTION**

FIG. 1 is a top perspective view of a flow regulator frame showing my new design;

FIG. 2 is a bottom perspective view thereof;

FIG. 3 is a top plan view thereof;

FIG. 4 is a bottom plan view thereof;

FIG. 5 is a front elevational view thereof;

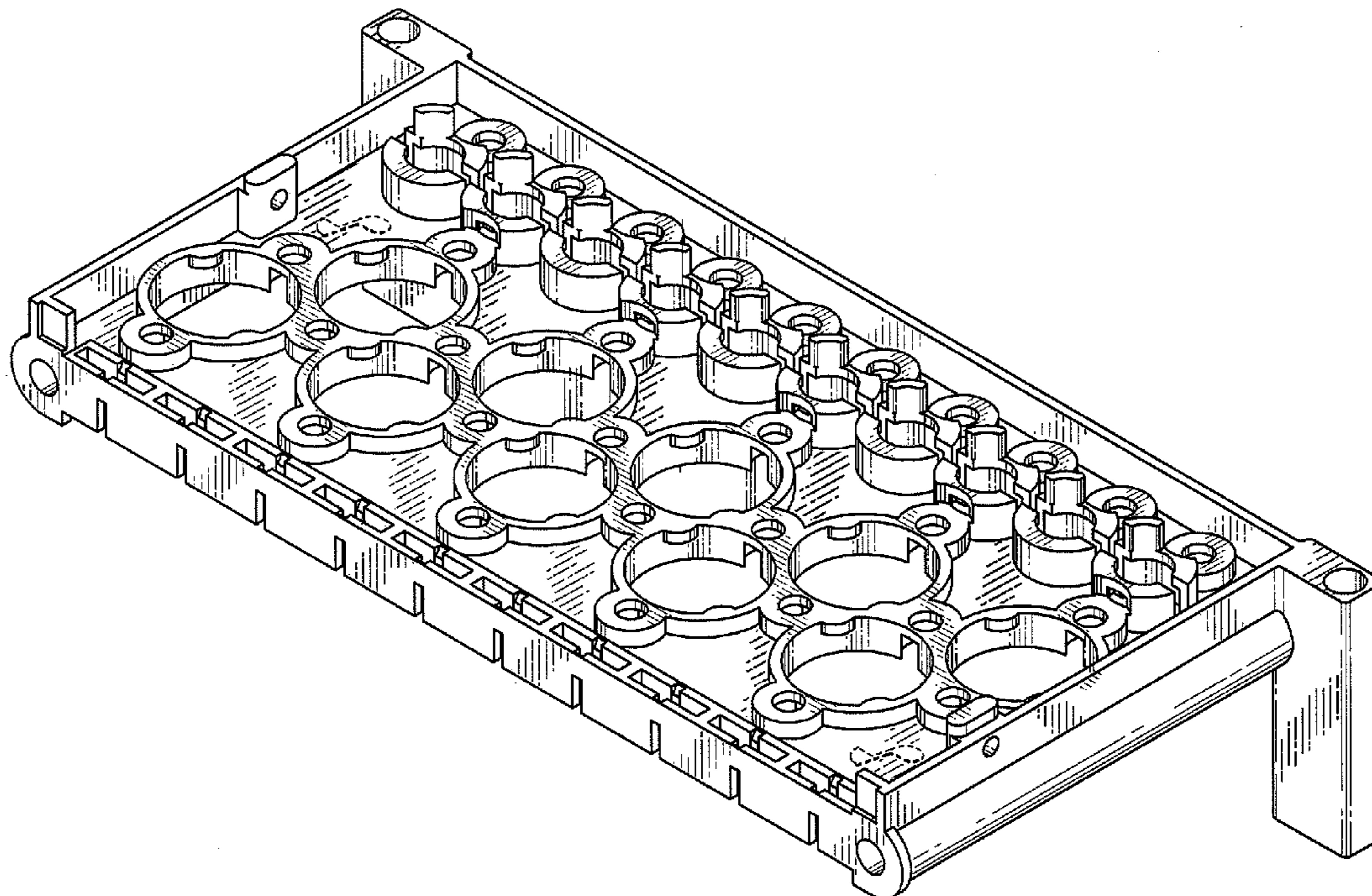
FIG. 6 is a rear elevational view thereof;

FIG. 7 is a right side elevational view thereof; and,

FIG. 8 is a left side elevational view thereof.

The broken line showings form no part of the claimed design.

**1 Claim, 7 Drawing Sheets**



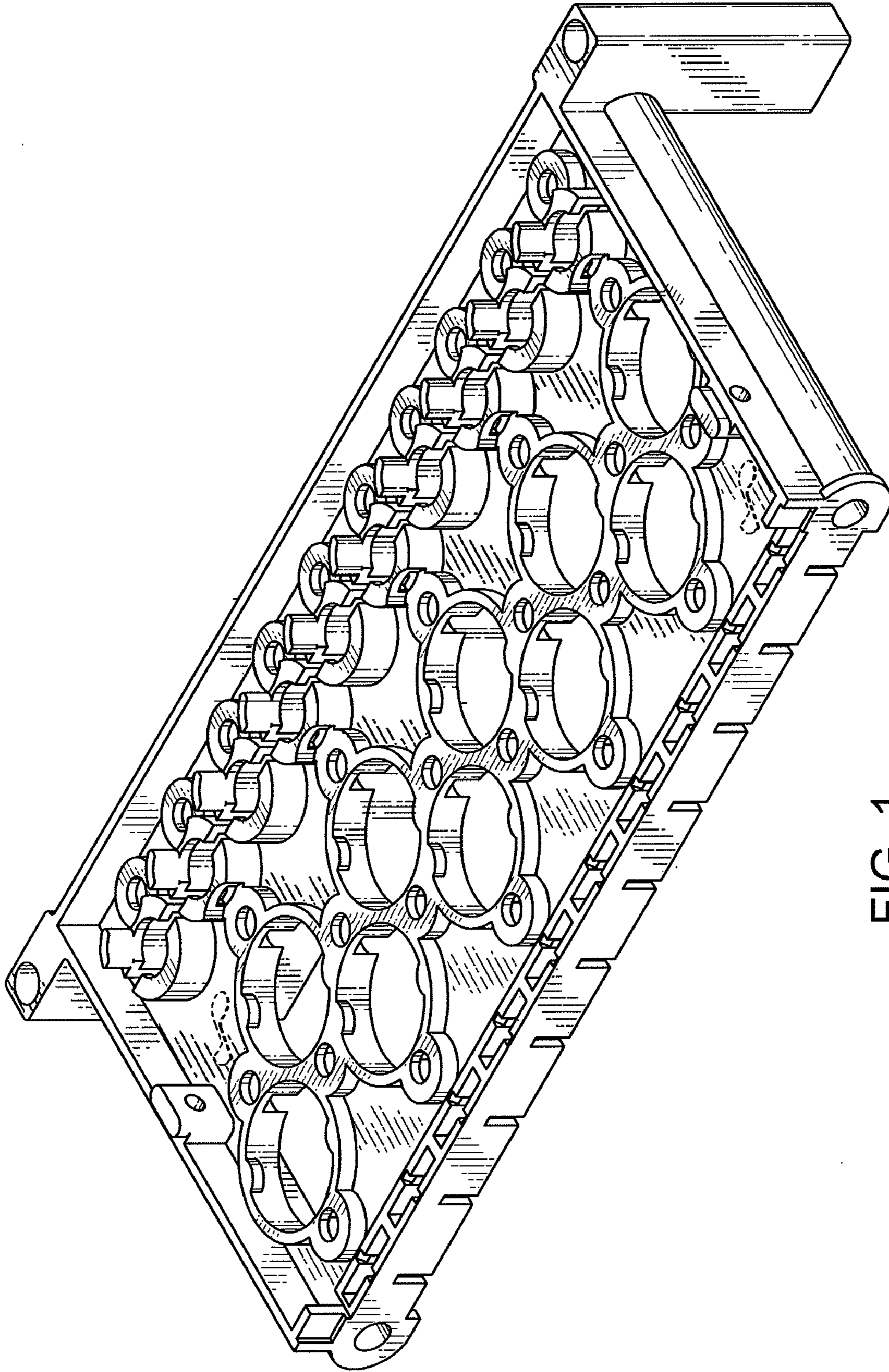


FIG. 1

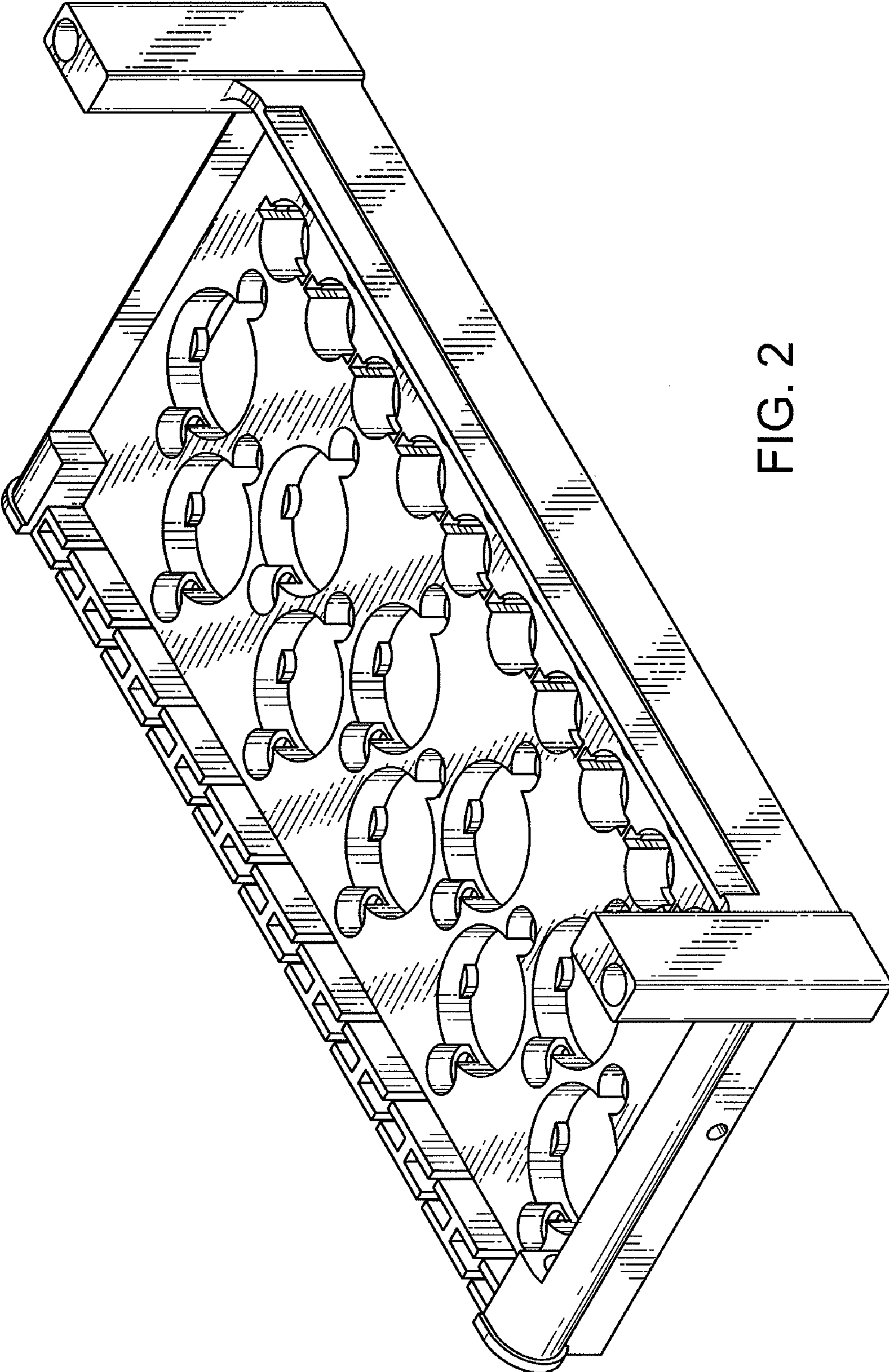


FIG. 2

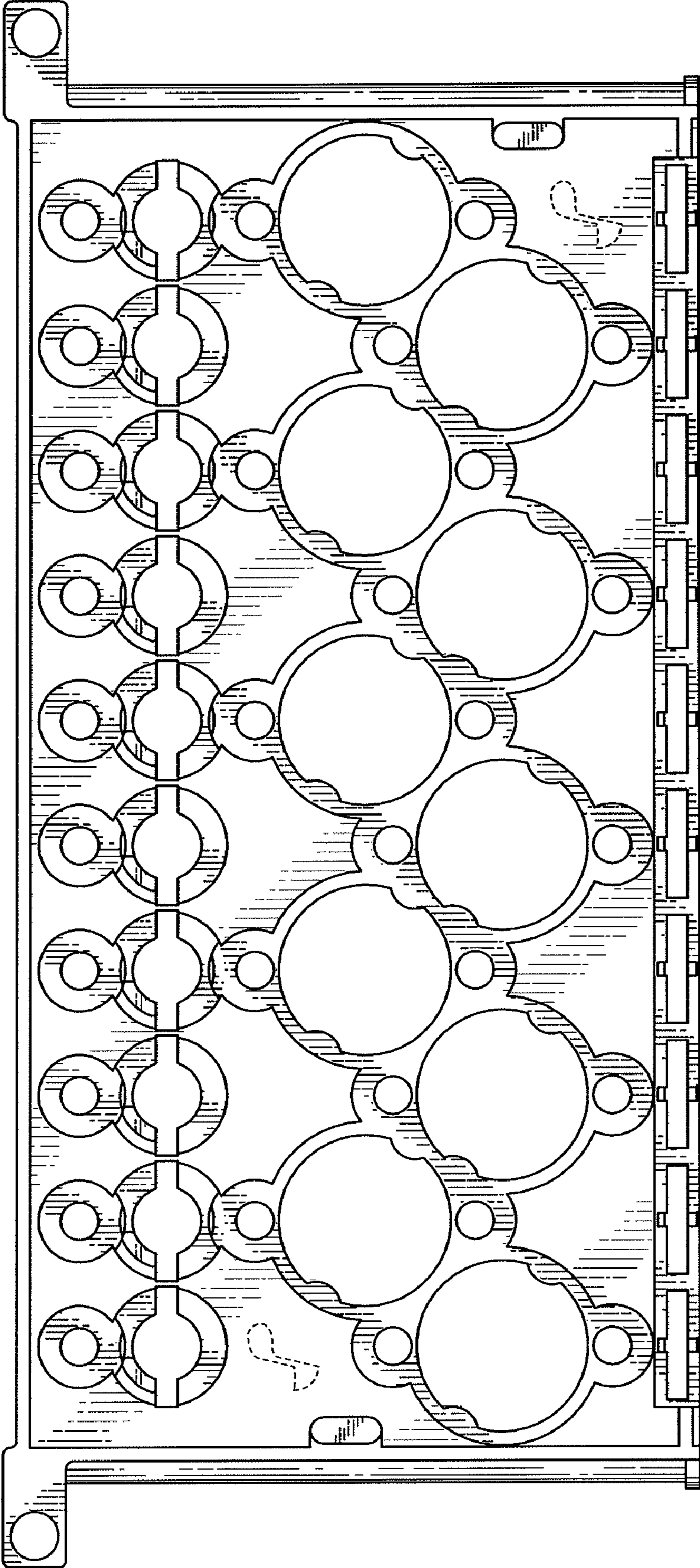


FIG. 3

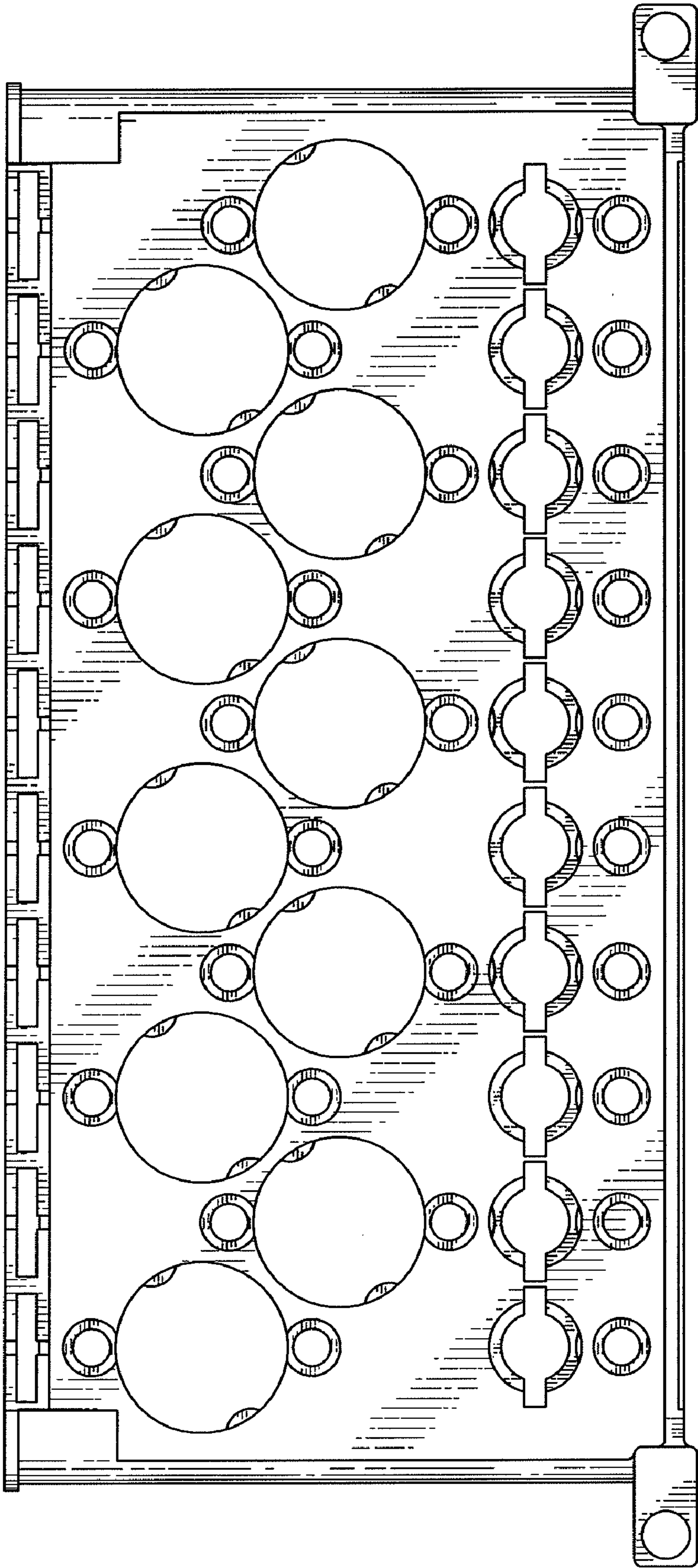


FIG. 4

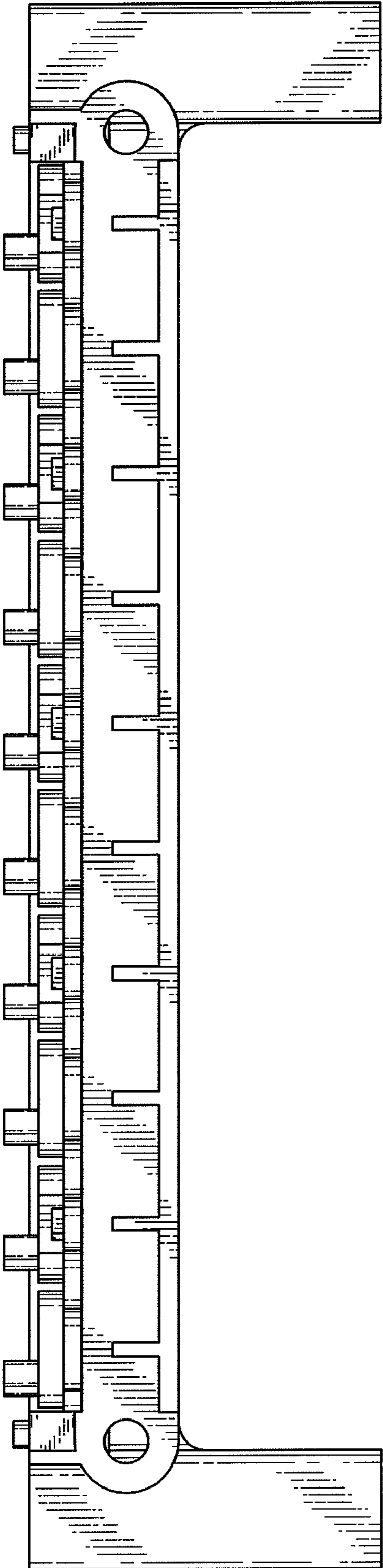


FIG. 5

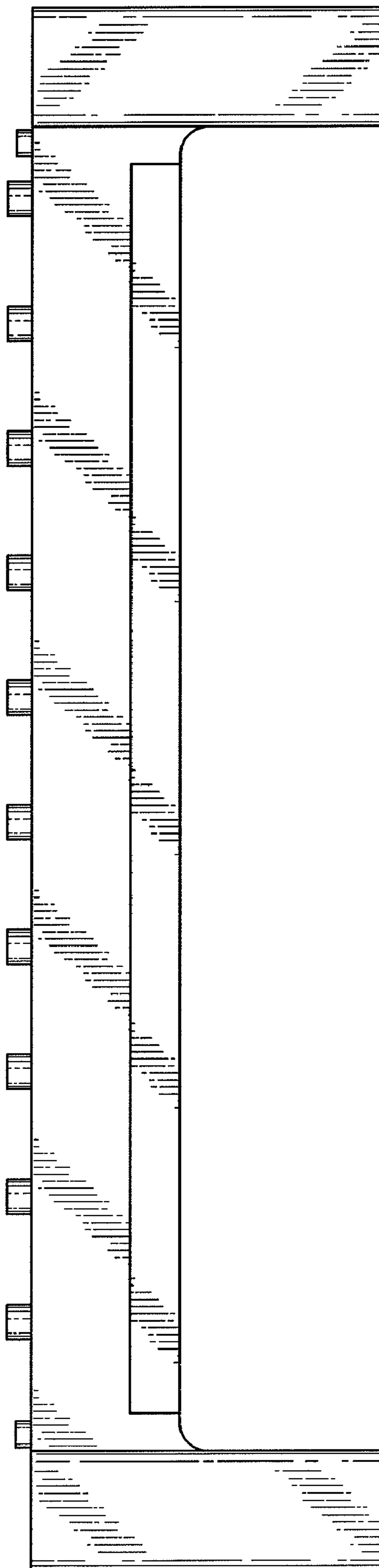


FIG. 6

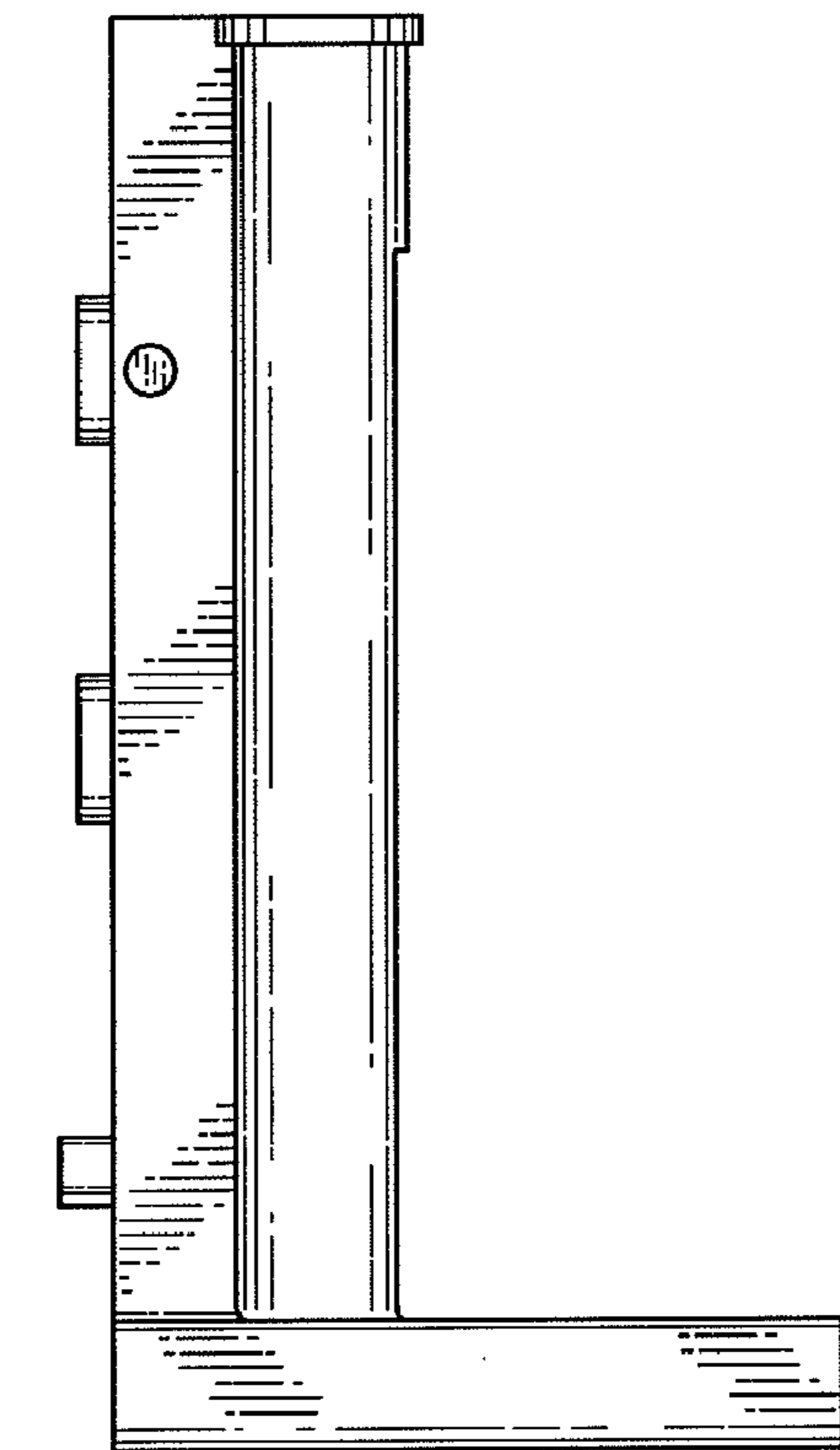


FIG. 7

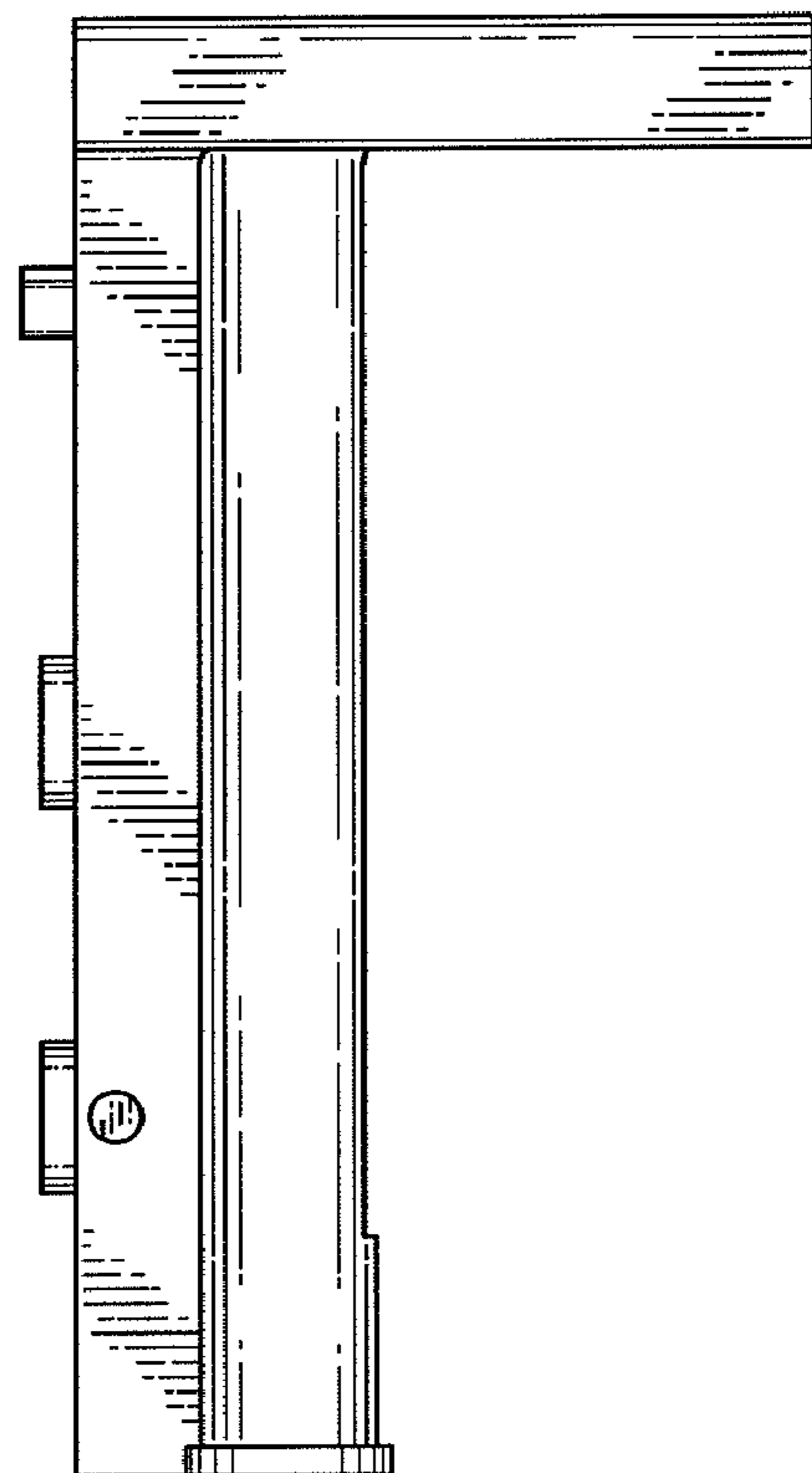


FIG. 8