



US00D647781S

(12) **United States Design Patent**  
**Tejszerski et al.**

(10) **Patent No.:** **US D647,781 S**

(45) **Date of Patent:** **\*\* Nov. 1, 2011**

- (54) **HANDLE**
  - (75) Inventors: **Filip Tejszerski**, Mosman (AU); **Linn Thu Yein Tun**, Baulkham Hills (AU)
  - (73) Assignee: **D&D Group Pty Ltd**, Frensh Forest, NSW (AU)
  - (\*\*) Term: **14 Years**
  - (21) Appl. No.: **29/384,897**
  - (22) Filed: **Feb. 4, 2011**
  - (51) **LOC (9) Cl.** ..... **08-07**
  - (52) **U.S. Cl.** ..... **D8/330; D8/343**
  - (58) **Field of Classification Search** ..... D8/30, D8/331, 336, 343, 330-302; 70/14, 90, 92, 70/101, 109, 124, 207, 213, 214, 229, 219, 70/266, 177, 278.1, 282, 285
- See application file for complete search history.

- 1,883,506 A 10/1932 Bommer
- 1,892,584 A 12/1932 Olson
- 1,958,940 A 5/1934 Cavanaugh et al.
- 2,058,163 A 10/1936 Malone
- 2,203,197 A 6/1940 Henry
- 2,218,183 A 10/1940 Springer
- 2,219,186 A 10/1940 Hornfeck
- 2,288,688 A 7/1942 Dubilier
- 2,313,712 A 3/1943 Jacobi
- 2,370,691 A 3/1945 Schlage
- 2,514,927 A 7/1950 Bernhard
- 2,586,900 A 2/1952 Alderman
- 2,597,174 A 5/1952 Patton et al.
- 2,615,744 A 10/1952 Colonna
- 2,690,349 A 9/1954 Teetor

(Continued)

**FOREIGN PATENT DOCUMENTS**

AU 29217-30 9/1931

(Continued)

*Primary Examiner* — Prabhakar Deshmukh  
(74) *Attorney, Agent, or Firm* — Gary M. Anderson; Fulwider Patton LLP

(56) **References Cited**

**U.S. PATENT DOCUMENTS**

- 17,354 A 5/1857 Smith
- 29,212 A 7/1860 Acker
- 137,951 A 4/1873 Palmer
- RE5,932 E 6/1874 Acker
- 204,267 A 5/1878 Unger
- 329,032 A 10/1885 Falls
- 391,433 A 10/1888 Stover
- 631,797 A 8/1899 Krause
- D32,818 S 6/1900 Greenawalt
- 754,690 A 3/1904 Pelzer
- 776,153 A 11/1904 Swacick
- 887,548 A 5/1908 Trumble
- 926,520 A 6/1909 Thornton et al.
- 971,281 A 9/1910 Keene et al.
- 1,185,503 A 5/1916 Harsh
- 1,530,341 A 3/1925 Bannochie
- 1,538,056 A 5/1925 Olson
- 1,586,615 A 6/1926 Elliott
- 1,789,775 A 1/1931 Russ et al.

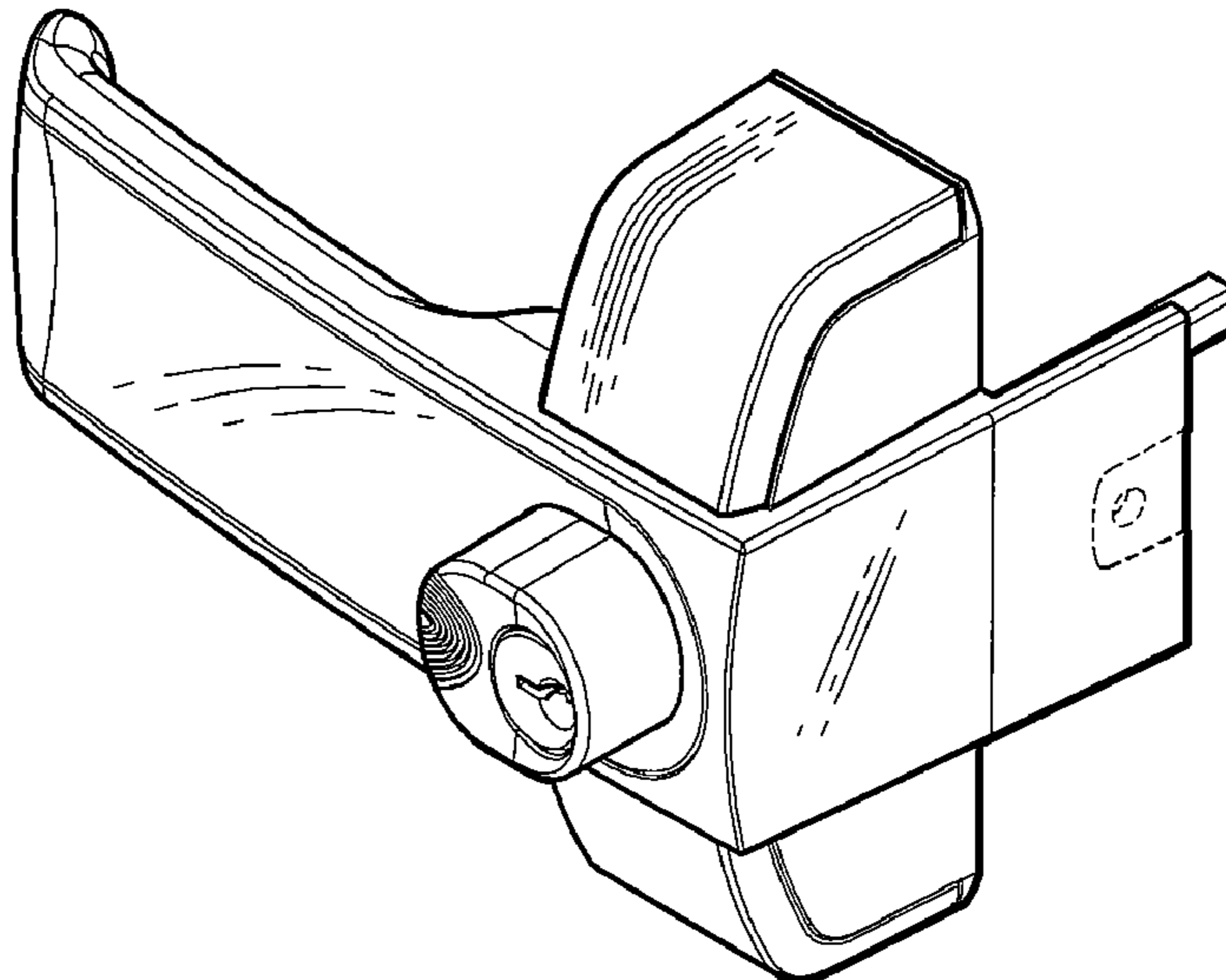
(57) **CLAIM**

The ornamental design for a handle, as shown and described.

**DESCRIPTION**

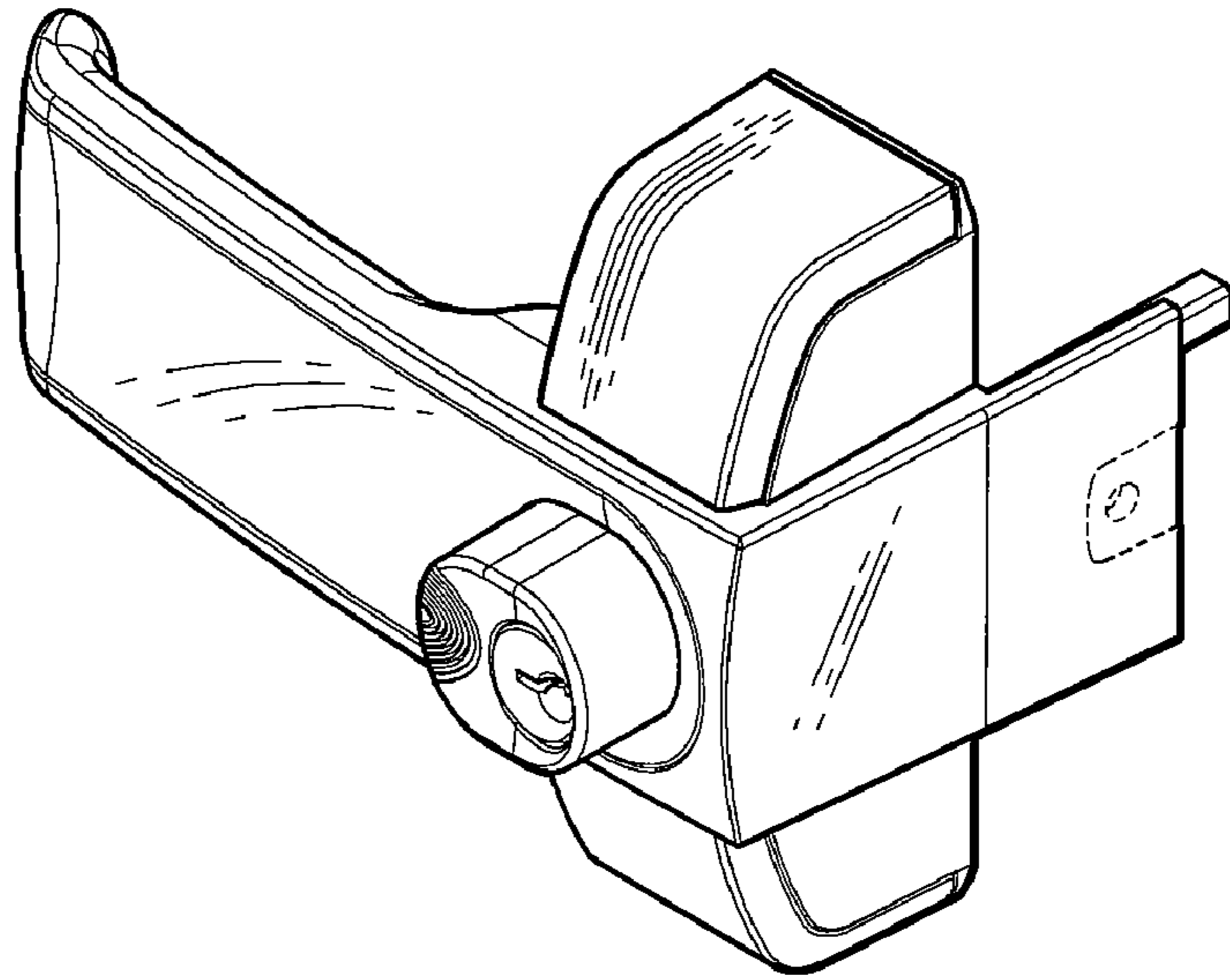
FIG. 1 is a top, front, and right perspective view of a handle showing our new design;  
FIG. 2 is a top, rear, and left perspective view thereof;  
FIG. 3 is a front elevational view thereof;  
FIG. 4 is a top plan view thereof;  
FIG. 5 is a bottom plan view thereof;  
FIG. 6 is a rear elevational view thereof;  
FIG. 7 is a left side elevational view thereof; and,  
FIG. 8 is right side elevational view thereof.  
The broken lines environment is for illustrative purpose only and forms no part of the claimed design.

**1 Claim, 4 Drawing Sheets**

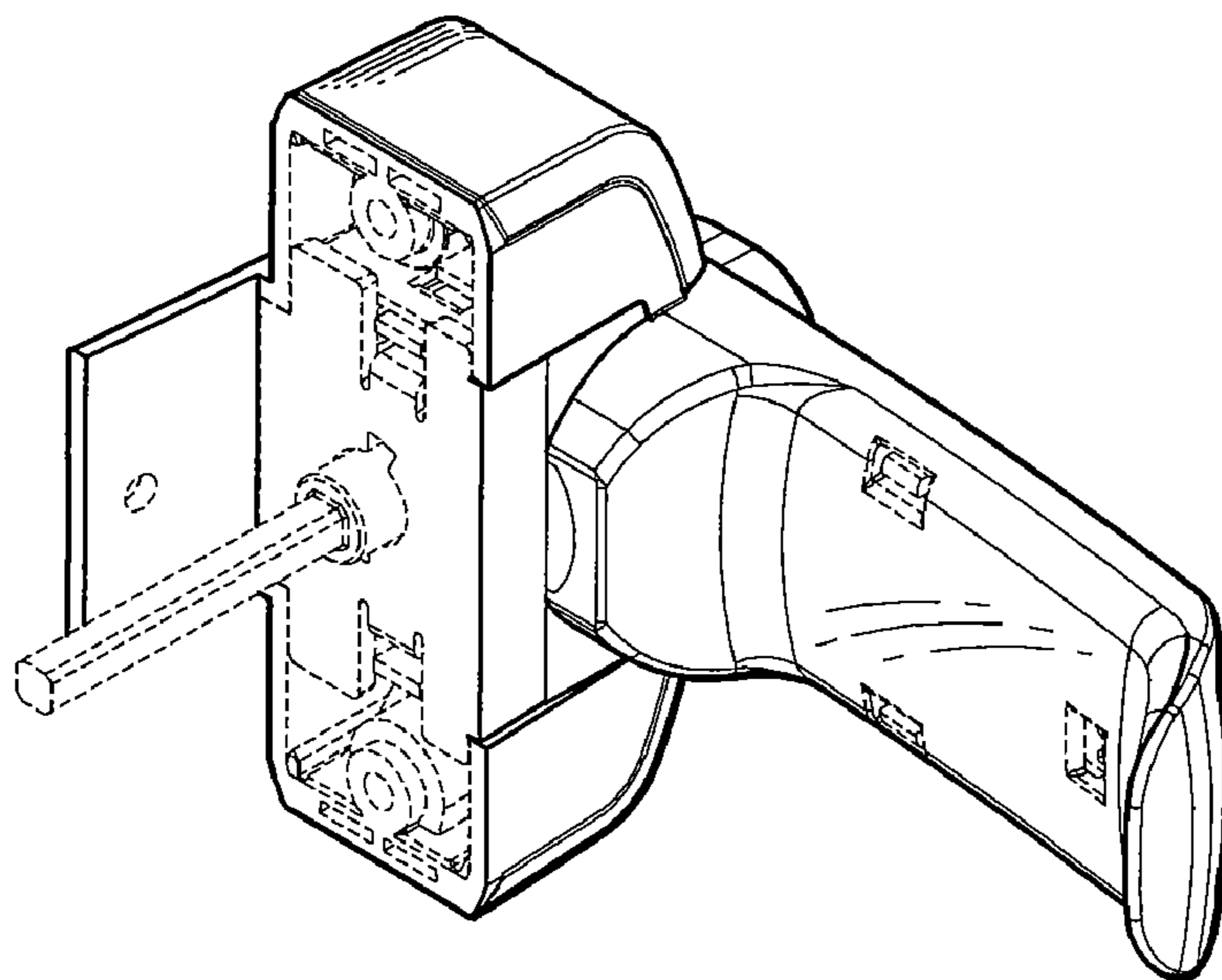


# US D647,781 S

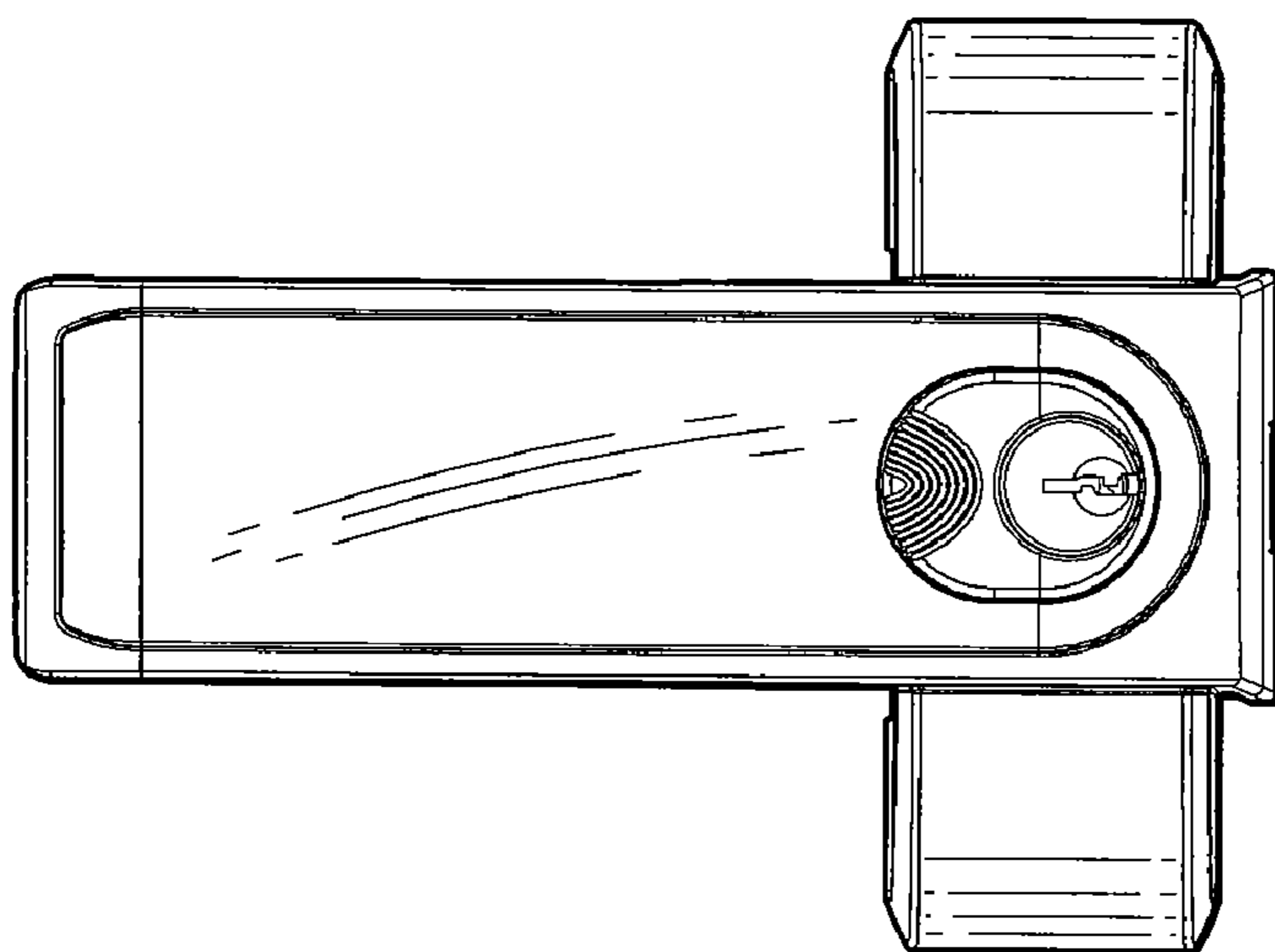
U.S. PATENT DOCUMENTS			FOREIGN PATENT DOCUMENTS			
2,726,891	A	12/1955	Gresham et al.	D342,952	S 1/1994	Yoder
2,767,007	A	10/1956	Burke	5,356,095	A 10/1994	Aker
2,797,655	A	7/1957	Morehouse	5,358,292	A 10/1994	Van Wiebe et al.
2,839,912	A	6/1958	Corbin et al.	D351,982	S * 11/1994	Chen ..... D8/330
2,942,907	A	6/1960	Nagel et al.	5,362,116	A 11/1994	Doyle et al.
2,953,916	A	9/1960	Thomas	D365,744	S * 1/1996	Leung ..... D8/331
2,988,389	A	6/1961	Wilson	5,526,659	A 6/1996	Takimoto
3,040,555	A	6/1962	Wartian	D371,503	S 7/1996	Nakano
3,046,776	A	7/1962	Marotto et al.	5,572,768	A 11/1996	Daul
3,098,258	A	7/1963	Ruiz	5,584,100	A 12/1996	Doyle et al.
3,107,113	A	10/1963	Sconzo	5,655,801	A 8/1997	Casey
3,111,021	A	11/1963	Patriquin et al.	5,715,574	A 2/1998	Schall
3,115,026	A	12/1963	Moore et al.	5,876,073	A 3/1999	Geringer et al.
3,161,036	A	12/1964	Himes	6,058,747	A 5/2000	Doyle et al.
3,273,925	A	9/1966	Graham	6,174,005	B1 * 1/2001	Norton ..... 292/169.21
3,314,707	A	4/1967	Van Donselaar	D443,196	S 6/2001	Sosa
3,316,582	A	5/1967	Johnson et al.	6,264,255	B1 7/2001	Fortune
3,334,936	A	8/1967	Hekelaar et al.	6,327,879	B1 12/2001	Malsom
3,350,127	A	10/1967	Hekelaar	6,347,819	B1 2/2002	Plaxco
3,380,109	A	4/1968	Ruiz	6,364,383	B1 4/2002	Shen
D212,861	S	12/1968	Raymond	D457,113	S 5/2002	Zapushek et al.
3,433,518	A	3/1969	Foltz	6,460,220	B1 10/2002	Jackson
3,516,701	A	6/1970	Graham	6,513,351	B2 2/2003	Clark
3,538,538	A	11/1970	Field	D484,389	S 12/2003	Evans
3,591,219	A	7/1971	Graziosi	6,732,408	B2 5/2004	Wu
3,593,547	A	7/1971	Taylor	6,733,049	B2 5/2004	Piorowski et al.
3,677,591	A	7/1972	Waldo	6,733,050	B1 * 5/2004	Yao ..... 292/169
3,691,799	A	9/1972	Hoffmann et al.	D495,235	S 8/2004	Burrows
3,705,505	A	12/1972	Landow et al.	D502,859	S 3/2005	Peng et al.
3,778,866	A	12/1973	Nakanishi	6,869,115	B2 * 3/2005	Shen ..... 292/357
3,785,186	A	1/1974	James et al.	6,898,953	B1 * 5/2005	Paprocki et al. .... 70/106
3,794,366	A	2/1974	Graham	6,905,152	B1 6/2005	Hudson
3,825,973	A	7/1974	Gwozdz	7,044,511	B2 * 5/2006	Kliefoth et al. .... 292/251.5
3,881,331	A	5/1975	Tranberg et al.	7,201,030	B2 4/2007	Timothy
3,890,813	A	6/1975	Cothron	D543,830	S 6/2007	Frank et al.
3,903,567	A	9/1975	Suska	7,240,400	B2 7/2007	Bonham
3,965,533	A	6/1976	Frohlich	D548,044	S 8/2007	Tang
3,978,551	A	9/1976	Mochizuki	D550,061	S 9/2007	Tang
4,014,192	A	3/1977	Dillon et al.	D552,448	S 10/2007	Tang
4,025,095	A	5/1977	Hausladen	7,296,448	B1 11/2007	Shaw
4,069,545	A	1/1978	Holet et al.	D557,586	S 12/2007	Shire et al.
4,073,038	A	2/1978	Curry et al.	D578,374	S * 10/2008	Kim ..... D8/331
4,073,520	A	2/1978	Tsuchiya et al.	D581,245	S * 11/2008	Conway ..... D8/330
4,118,055	A	10/1978	Bischoff, Jr.	D595,569	S 7/2009	Darling, III
4,339,845	A	7/1982	Newlon et al.	D601,403	S 10/2009	Cosby et al.
4,378,684	A	4/1983	Dugan et al.	D605,493	S 12/2009	Tejszerski
4,414,828	A	11/1983	Takinami et al.	7,793,527	B2 * 9/2010	Shen ..... 70/224
4,583,262	A	4/1986	Werner	2004/0093689	A1 5/2004	Sosa et al.
D290,684	S *	7/1987	Wildgen ..... D8/331	2007/0007773	A1 1/2007	Berkseth et al.
4,691,541	A	9/1987	McQuade, Sr. et al.	2008/0016923	A1 1/2008	Zheng
4,732,418	A	3/1988	Crown et al.	FOREIGN PATENT DOCUMENTS		
4,751,765	A	6/1988	Wu	AU	138996	4/1948
4,817,242	A	4/1989	Rapp	AU	245874	5/1963
D301,116	S	5/1989	Foshee et al.	DE	1961736	6/1971
4,838,053	A	6/1989	Shen	DE	3205224	8/1983
4,848,812	A	7/1989	Slaughter	DE	3313220	10/1984
4,919,463	A	4/1990	McQuade	DE	3605826	8/1987
4,921,289	A	5/1990	Shen	FR	1180547	6/1959
4,938,508	A	7/1990	Thomas	FR	2405347	5/1979
4,962,567	A	10/1990	Dixon	GB	693564	7/1953
5,018,920	A	5/1991	Speakman	GB	759211	10/1956
5,024,473	A	6/1991	McQuade	GB	1108996	4/1968
5,029,912	A	7/1991	Gotanda	GB	1382227	1/1975
5,031,270	A	7/1991	Lee	GB	2006892	5/1990
D320,338	S *	10/1991	Mastrogiovanni ..... D8/331	GB	2010086	10/1990
5,063,764	A	11/1991	Amis et al.	JP	1-198983	8/1989
5,103,658	A	4/1992	McQuade	JP	3-172482	7/1991
5,149,155	A	9/1992	Caeti et al.	JP	3212589	9/1991
5,177,987	A *	1/1993	Shen ..... 70/224	JP	8210001	8/1996
D335,718	S	5/1993	Maglica et al.	WO	92/03631	3/1992
5,265,924	A	11/1993	Kim	* cited by examiner		



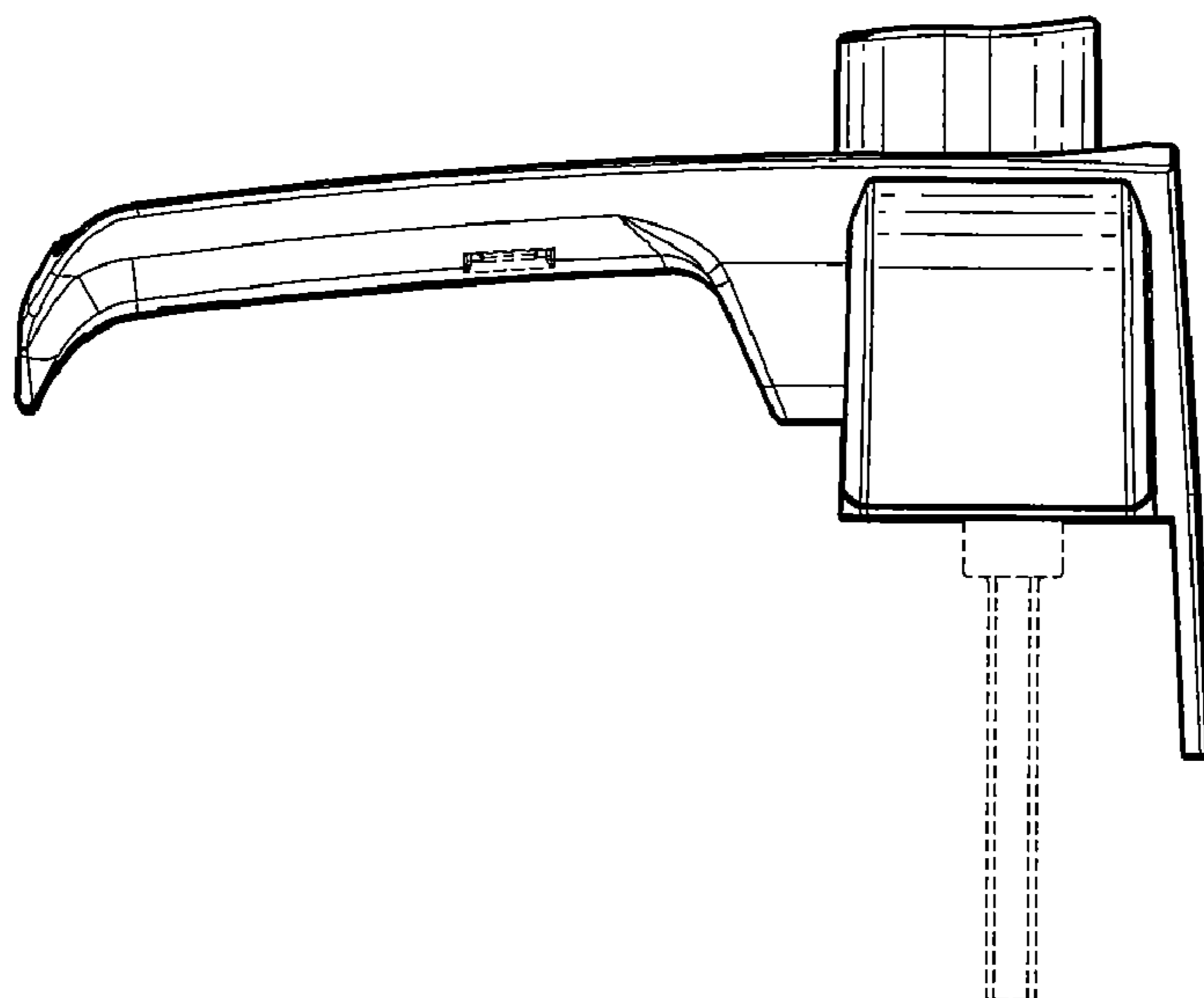
**FIG. 1**



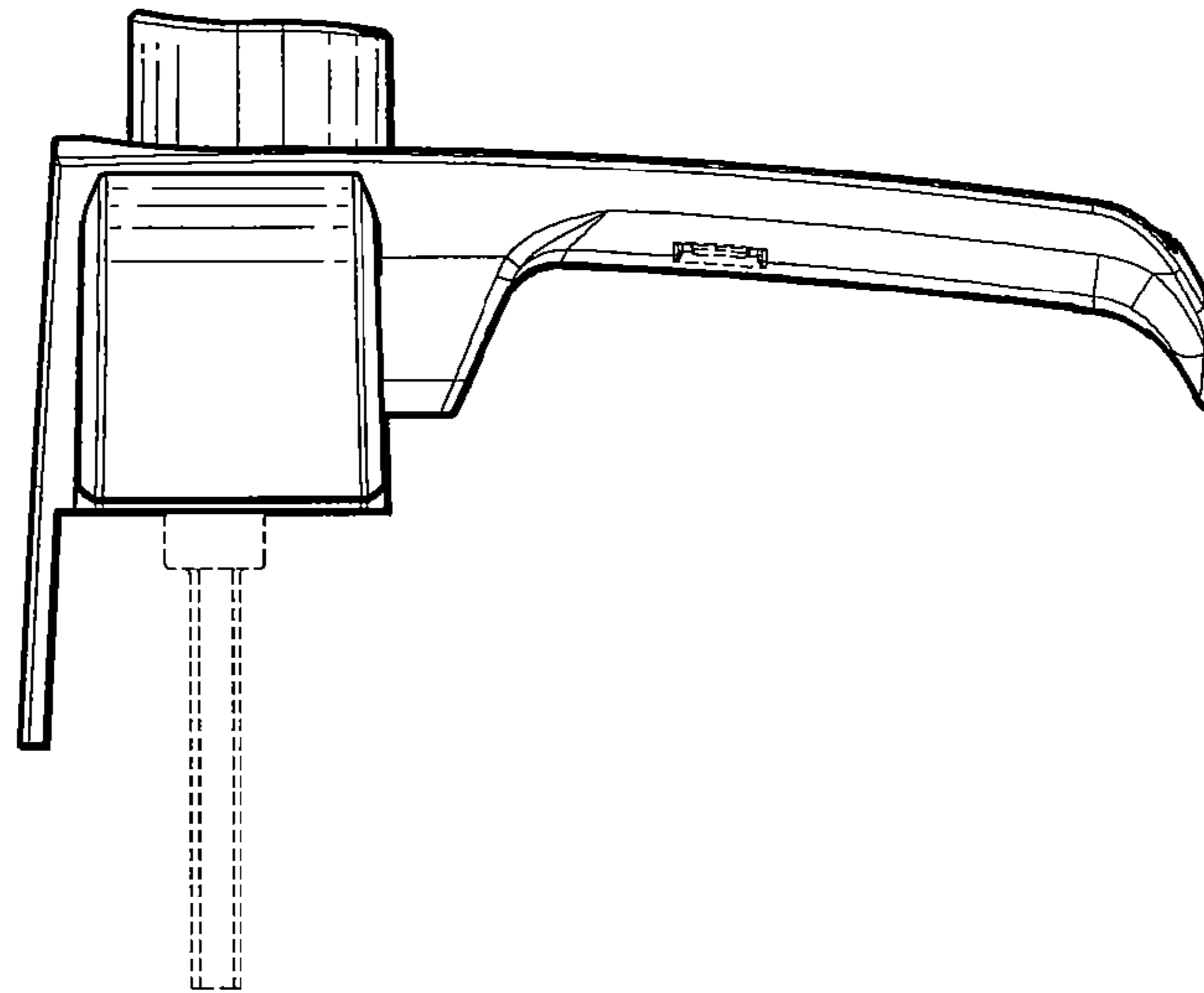
**FIG. 2**



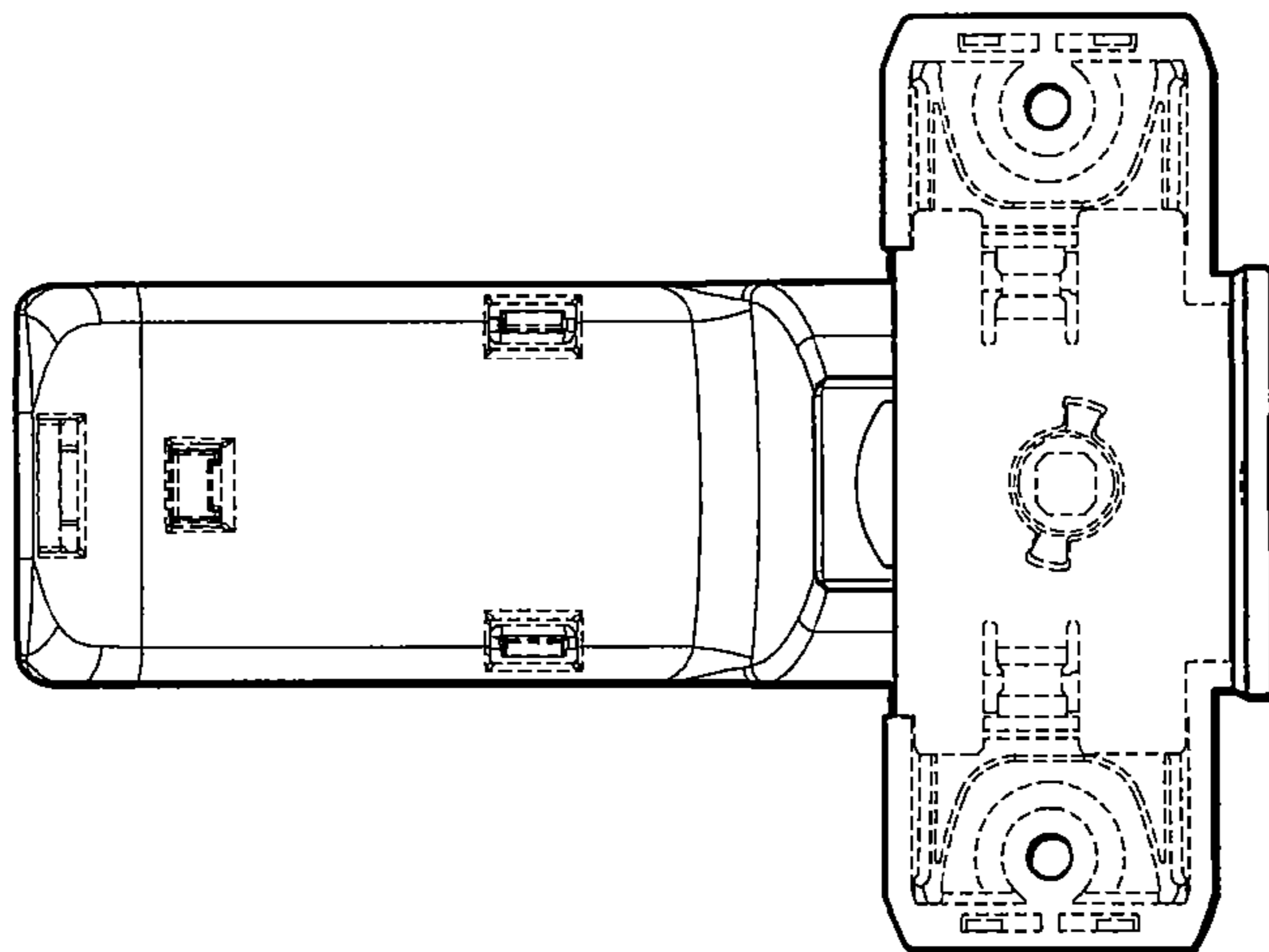
**FIG. 3**



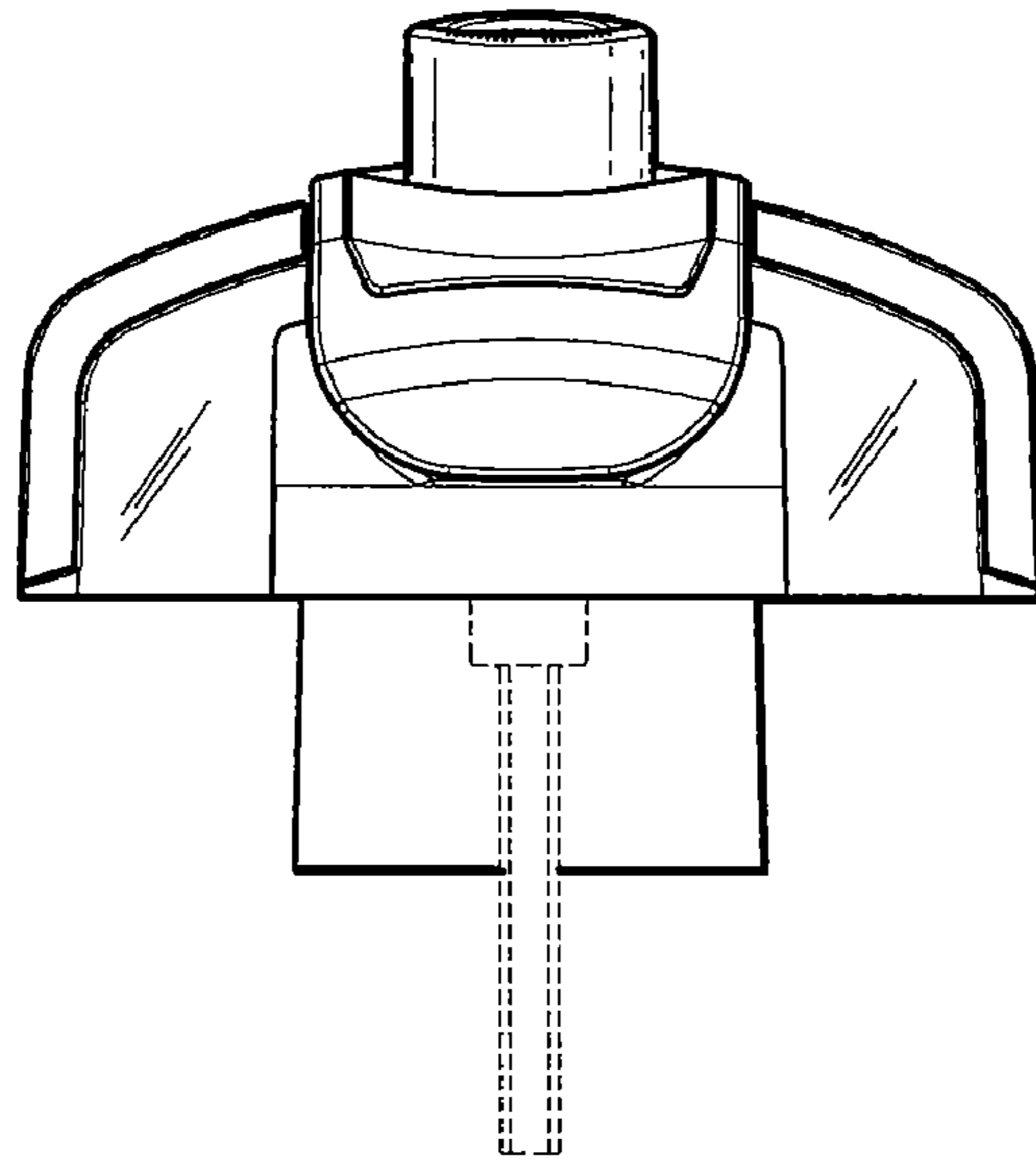
**FIG. 4**



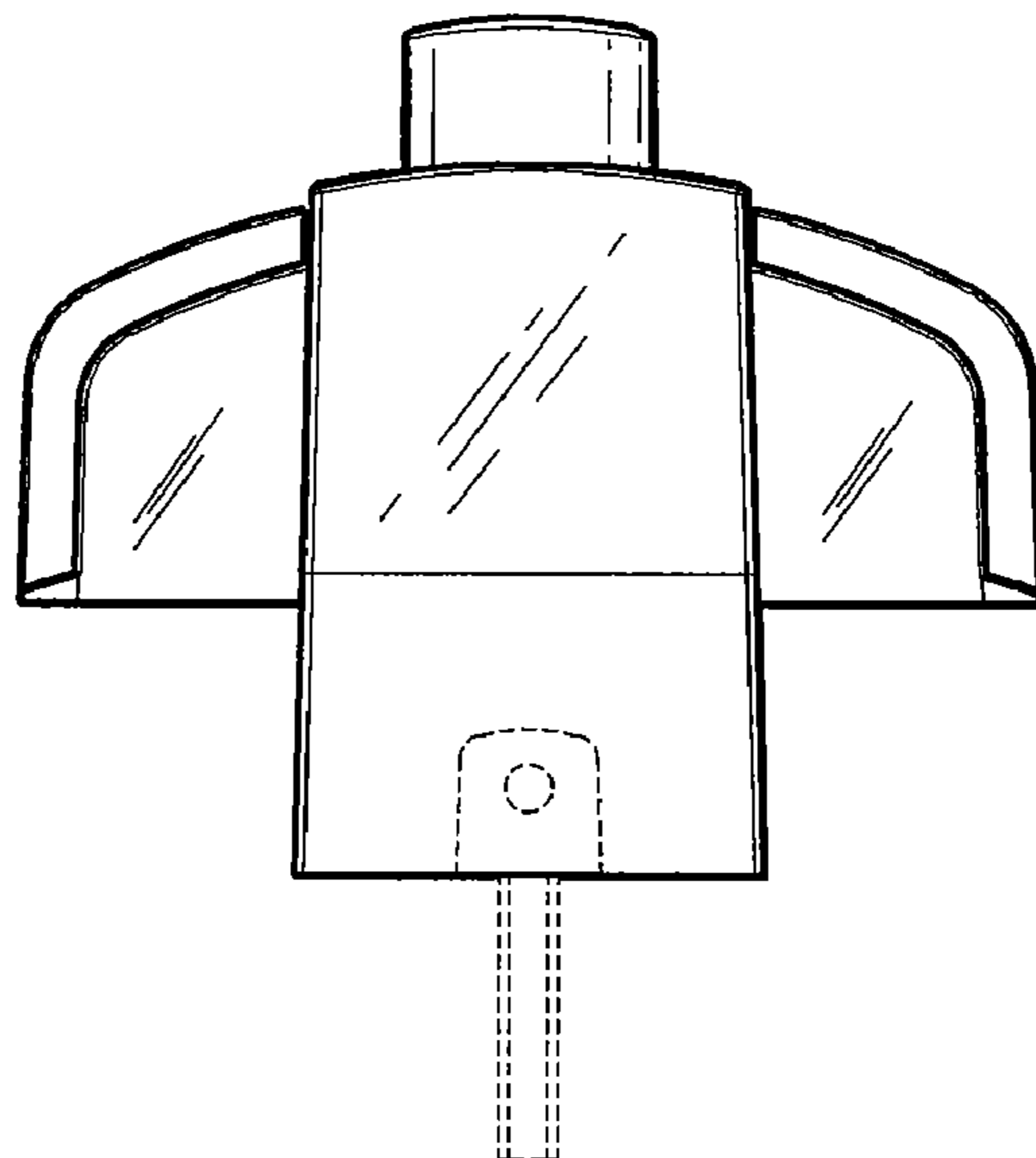
**FIG. 5**



**FIG. 6**



**FIG. 7**



**FIG. 8**