



US00D647779S

(12) **United States Design Patent**  
**Caffin et al.**

(10) **Patent No.:** **US D647,779 S**

(45) **Date of Patent:** **\*\* Nov. 1, 2011**

(54) **HINGE**

1,892,584 A 12/1932 Olson  
1,958,940 A 5/1934 Cavanaugh et al.  
2,058,163 A 10/1936 Malone

(75) Inventors: **Bartholomew Jeremy Caffin**, North Manly (AU); **Filip Tejszerski**, Mosman (AU)

(Continued)

**FOREIGN PATENT DOCUMENTS**

(73) Assignee: **D & D Group Pty Ltd**, Frenchs Forest, NSW (AU)

AU 29217-30 9/1931  
AU 138996 4/1948  
AU 245874 5/1963

(\*\*) Term: **14 Years**

(Continued)

(21) Appl. No.: **29/384,881**

*Primary Examiner* — Cynthia Underwood

(22) Filed: **Feb. 4, 2011**

(74) *Attorney, Agent, or Firm* — Gary M. Anderson; Fulwider Patton LLP

(51) **LOC (9) Cl.** ..... **08-06**

(57) **CLAIM**

(52) **U.S. Cl.** ..... **D8/323**

The ornamental design for a hinge, as shown and described.

(58) **Field of Classification Search** ..... D8/323, D8/327, 328, 329, 330, 336, 353; D23/303; 4/236, 240; 16/225, 250, 682, 309, 235, 16/275, 244, 379, 390, 430, 241, 238, 245, 16/236, 243, 242, 385

**DESCRIPTION**

See application file for complete search history.

FIG. 1 is a front elevation view of a first embodiment of our new design;  
FIG. 2 is a rear elevation view of a first embodiment of our new design;  
FIG. 3 is a front view thereof;  
FIG. 4 is left side view thereof;  
FIG. 5 is a right side view thereof;  
FIG. 6 is a rear view thereof;  
FIG. 7 is a top end view thereof;  
FIG. 8 is a bottom end view thereof;  
FIG. 9 is a front elevation view of a second embodiment of our new design;  
FIG. 10 is a rear elevation view of a second embodiment of our new design;  
FIG. 11 is a front view thereof;  
FIG. 12 is a left side view thereof;  
FIG. 13 is a right side view thereof;  
FIG. 14 is a rear view thereof;  
FIG. 15 is a top end view thereof; and,  
FIG. 16 is a bottom end view thereof.

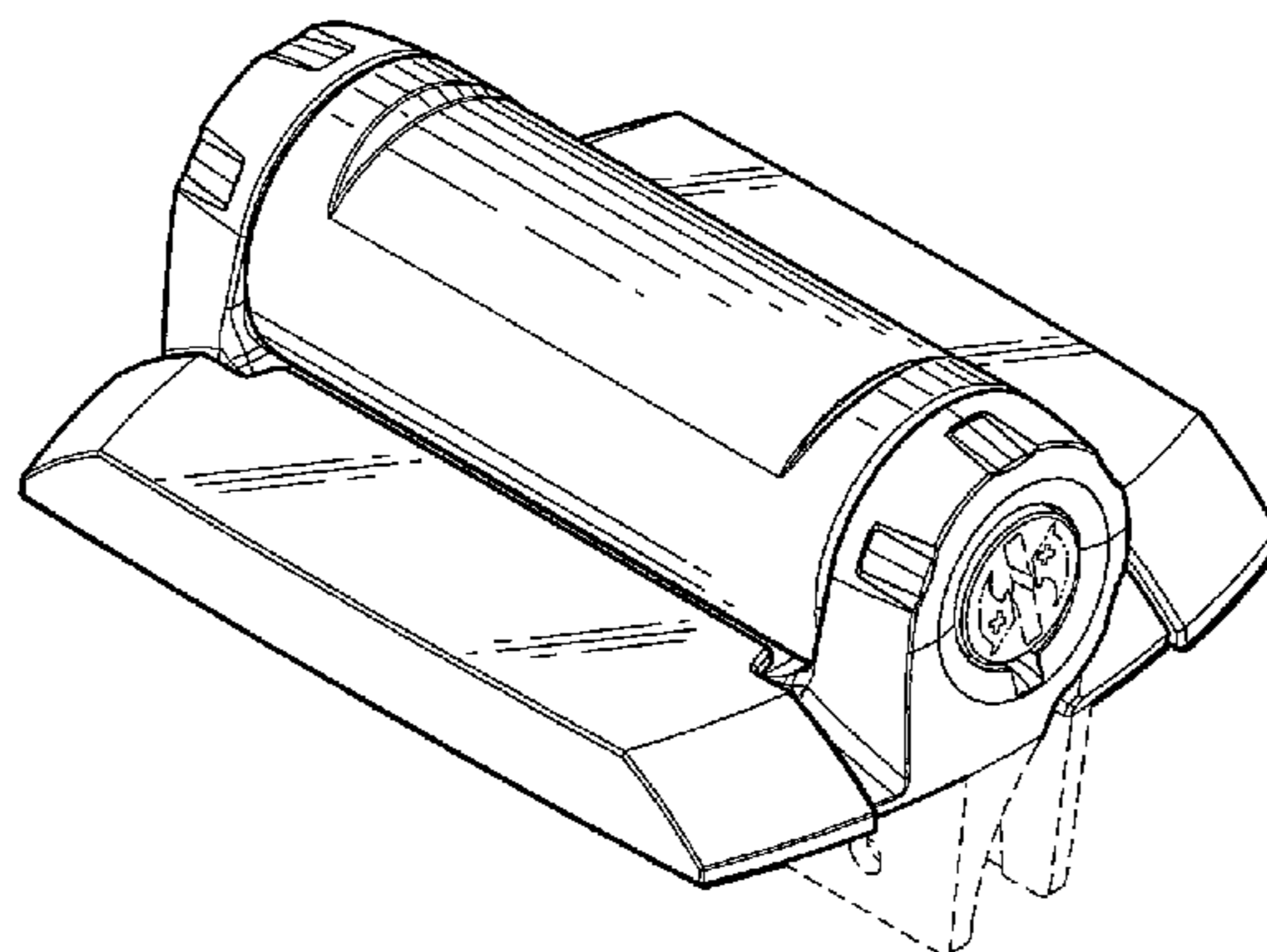
The broken lines showing details in the Figures are included for the purpose of showing environmental context of the design, and form no part of the claimed design.

(56) **References Cited**

**U.S. PATENT DOCUMENTS**

17,354 A 5/1857 Smith  
29,212 A 7/1860 Acker  
137,951 A 4/1873 Palmer  
RE5,932 E 6/1874 Acker  
204,267 A 5/1878 Unger  
329,032 A 10/1885 Falls  
391,433 A 10/1888 Stover  
631,797 A 8/1899 Krause  
D32,818 S 6/1900 Greenawalt  
754,690 A 3/1904 Pelzer  
776,153 A 11/1904 Swacick  
887,548 A 5/1908 Trumble  
926,520 A 6/1909 Thornton et al.  
971,281 A 9/1910 Keene et al.  
1,185,503 A 5/1916 Harsh  
1,530,341 A 3/1925 Bannochie  
1,538,056 A 5/1925 Olson  
1,586,615 A 6/1926 Elliott  
1,789,775 A 1/1931 Russ et al.  
1,832,902 A \* 11/1931 Holbrook ..... 16/392  
1,883,506 A 10/1932 Bommer

**1 Claim, 8 Drawing Sheets**



# US D647,779 S

## U.S. PATENT DOCUMENTS

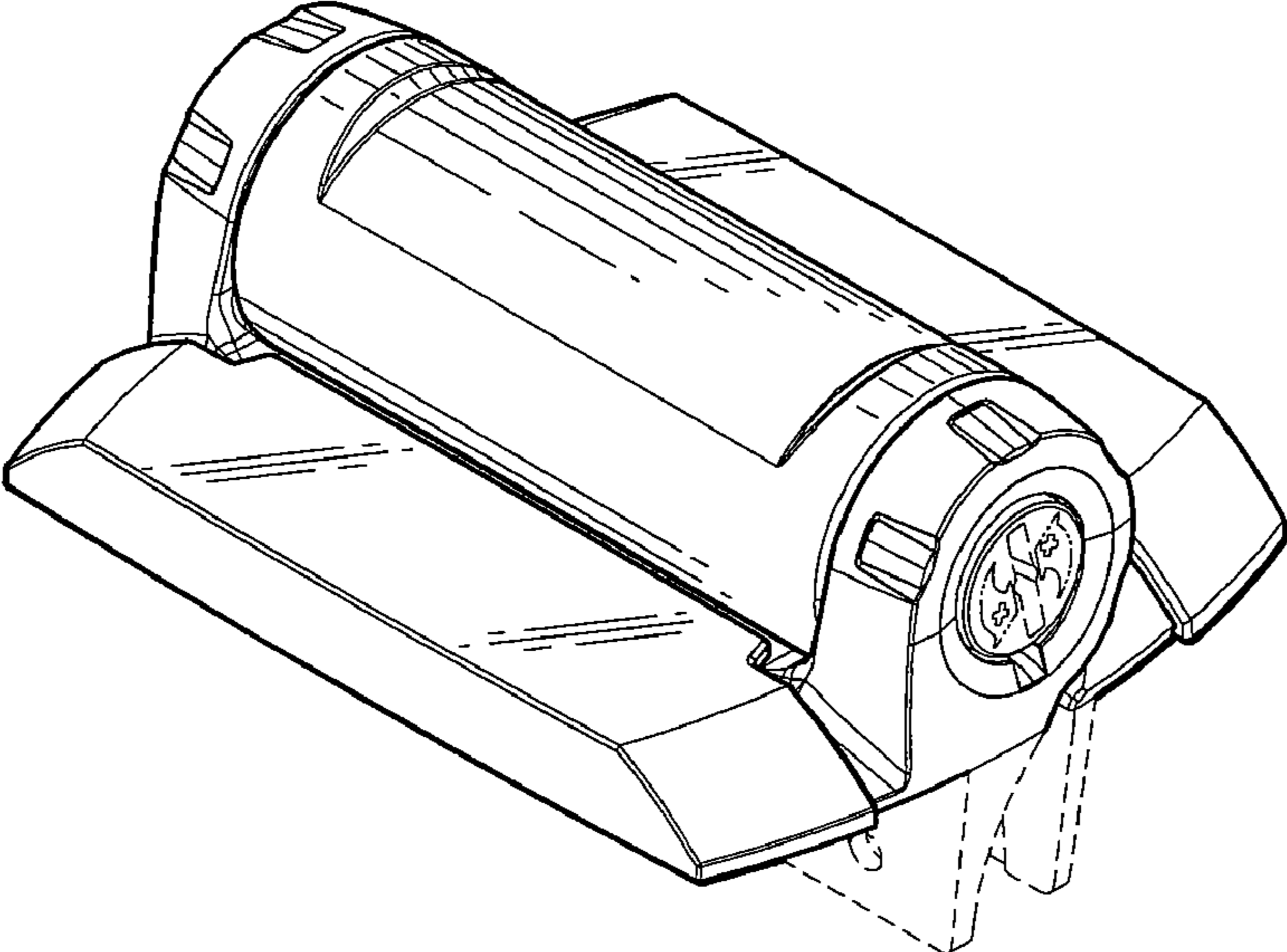
2,203,197	A	6/1940	Henry	
2,218,183	A	10/1940	Springer	
2,219,186	A	10/1940	Hornfeck	
2,288,688	A	7/1942	Dubilier	
2,313,712	A	3/1943	Jacobi	
D139,227	S *	10/1944	Greiling .....	D8/323
2,370,691	A	3/1945	Schlage	
2,514,927	A	7/1950	Bernhard	
2,586,900	A	2/1952	Alderman	
2,597,174	A	5/1952	Patton et al.	
2,615,744	A	10/1952	Colonna	
2,690,349	A	9/1954	Teetor	
2,726,891	A	12/1955	Gresham et al.	
2,767,007	A	10/1956	Burke	
2,797,655	A	7/1957	Morehouse	
2,839,912	A	6/1958	Corbin et al.	
D183,261	S *	7/1958	Mink .....	D8/327
2,942,907	A	6/1960	Nagel et al.	
2,953,916	A	9/1960	Thomas	
2,988,389	A	6/1961	Wilson	
3,040,555	A	6/1962	Wartian	
3,046,776	A	7/1962	Marotto et al.	
3,098,258	A	7/1963	Ruiz	
3,107,113	A	10/1963	Sconzo	
3,111,021	A	11/1963	Patriquin et al.	
3,115,026	A	12/1963	Moore et al.	
3,161,036	A	12/1964	Himes	
3,273,925	A	9/1966	Graham	
3,314,707	A	4/1967	Van Donselaar	
3,316,582	A	5/1967	Johnson et al.	
3,334,936	A	8/1967	Hekelaar et al.	
3,350,127	A	10/1967	Hekelaar	
3,380,109	A	4/1968	Ruiz	
D212,861	S	12/1968	Raymond	
3,433,518	A	3/1969	Foltz	
3,516,701	A	6/1970	Graham	
3,538,538	A	11/1970	Field	
3,591,219	A	7/1971	Graziosi	
3,593,547	A	7/1971	Taylor	
3,677,591	A	7/1972	Waldo	
3,691,799	A	9/1972	Hoffmann et al.	
3,705,505	A	12/1972	Landow et al.	
3,778,866	A	12/1973	Nakanishi	
3,785,186	A	1/1974	James et al.	
3,794,366	A	2/1974	Graham	
3,825,973	A	7/1974	Gwozdz	
3,881,331	A	5/1975	Tranberg et al.	
3,890,813	A	6/1975	Cothron	
3,903,567	A	9/1975	Suska	
3,965,533	A	6/1976	Frohlich	
3,978,551	A	9/1976	Mochizuki	
4,014,192	A	3/1977	Dillon et al.	
4,025,095	A	5/1977	Hausladen	
4,069,545	A	1/1978	Holet et al.	
4,073,038	A	2/1978	Curry et al.	
4,073,520	A	2/1978	Tsuchiya et al.	
4,118,055	A	10/1978	Bischoff, Jr.	
4,339,845	A	7/1982	Newlon et al.	
4,378,684	A	4/1983	Dugan et al.	
4,414,828	A	11/1983	Takinami et al.	
4,583,262	A	4/1986	Werner	
4,691,541	A	9/1987	McQuade, Sr. et al.	
4,732,418	A	3/1988	Crown et al.	
4,751,765	A	6/1988	Wu	
4,817,242	A	4/1989	Rapp	
D301,116	S	5/1989	Foshee et al.	
4,838,053	A	6/1989	Shen	
4,848,812	A	7/1989	Slaughter	
4,919,463	A	4/1990	McQuade	
4,921,289	A	5/1990	Shen	
4,938,508	A	7/1990	Thomas	
4,962,567	A	10/1990	Dixon	
5,018,920	A	5/1991	Speakman	
5,024,473	A	6/1991	McQuade	
5,029,912	A	7/1991	Gotanda	
5,031,270	A	7/1991	Lee	
5,063,764	A	11/1991	Amis et al.	
5,103,658	A	4/1992	McQuade	

5,149,155	A	9/1992	Caeti et al.	
5,177,987	A	1/1993	Shen	
D335,718	S	5/1993	Maglica et al.	
5,265,924	A	11/1993	Kim	
D342,952	S	1/1994	Yoder	
5,356,095	A	10/1994	Aker	
5,358,292	A	10/1994	Van Wiebe et al.	
5,362,116	A	11/1994	Doyle et al.	
5,526,659	A	6/1996	Takimoto	
D371,503	S	7/1996	Nakano	
5,572,768	A	11/1996	Daul	
D376,971	S *	12/1996	Schutz .....	D8/327
5,584,100	A	12/1996	Doyle et al.	
5,655,801	A	8/1997	Casey	
D385,475	S *	10/1997	Bolinas et al. ....	D8/328
5,715,574	A	2/1998	Schall	
D401,134	S *	11/1998	Finkelstein .....	D8/329
5,876,073	A	3/1999	Geringer et al.	
6,058,747	A	5/2000	Doyle et al.	
D436,515	S *	1/2001	Sonntag .....	D8/328
6,174,005	B1	1/2001	Norton	
D443,196	S	6/2001	Sosa	
6,264,255	B1	7/2001	Fortune	
6,327,879	B1	12/2001	Malsom	
6,347,819	B1	2/2002	Plaxco	
6,364,383	B1	4/2002	Shen	
D457,113	S	5/2002	Zapushek et al.	
6,460,220	B1	10/2002	Jackson	
6,513,351	B2	2/2003	Clark	
D484,389	S	12/2003	Evans	
6,732,408	B2	5/2004	Wu	
6,733,049	B2	5/2004	Piorowski et al.	
6,733,050	B1	5/2004	Yao	
D495,235	S	8/2004	Burrows	
D502,859	S	3/2005	Peng et al.	
6,869,115	B2	3/2005	Shen	
6,898,953	B1	5/2005	Paprocki et al.	
6,905,152	B1	6/2005	Hudson	
7,044,511	B2	5/2006	Kliefoth et al.	
D533,433	S *	12/2006	Loggen .....	D8/329
7,201,030	B2	4/2007	Timothy	
D543,830	S	6/2007	Frank et al.	
7,240,400	B2	7/2007	Bonham	
D548,044	S	8/2007	Tang	
D550,061	S	9/2007	Tang	
D552,448	S	10/2007	Tang	
7,296,448	B1	11/2007	Shaw	
D557,586	S	12/2007	Shire et al.	
D565,386	S *	4/2008	Bladen et al. ....	D8/323
D595,569	S	7/2009	Darling, III	
D601,403	S	10/2009	Cosby et al.	
D605,493	S	12/2009	Tejszerski	
D621,683	S *	8/2010	Mullenix .....	D8/323
D622,576	S *	8/2010	Farkas et al. ....	D8/328
D635,433	S *	4/2011	Le .....	D8/327
2004/0093689	A1	5/2004	Sosa et al.	
2007/0007773	A1	1/2007	Berkseth et al.	
2008/0016923	A1	1/2008	Zheng	

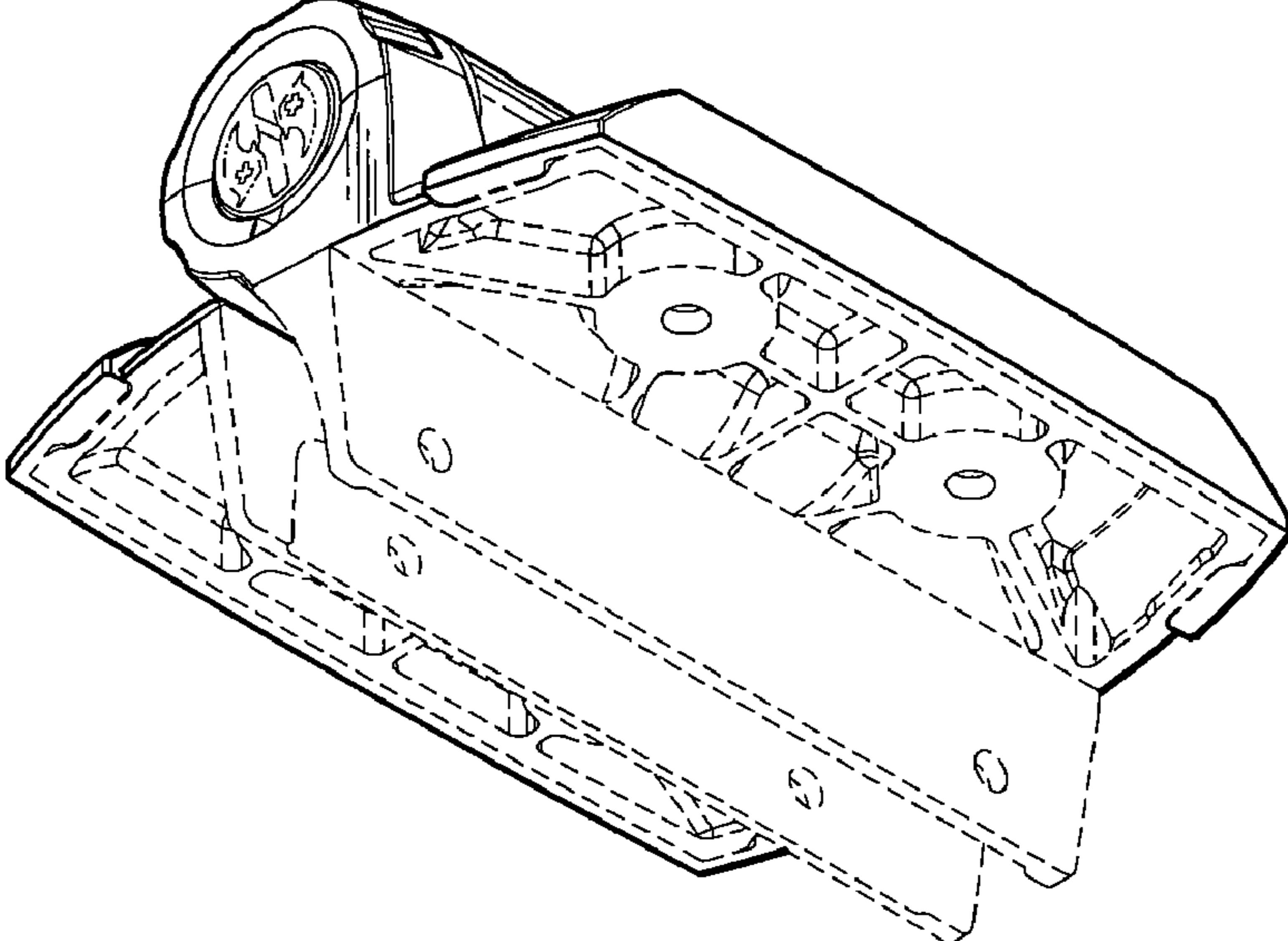
## FOREIGN PATENT DOCUMENTS

DE	1961736	6/1971
DE	3205224	8/1983
DE	3313220	10/1984
DE	3605826	8/1987
FR	1180547	6/1959
FR	2405347	5/1979
GB	693564	7/1953
GB	759211	10/1956
GB	1108996	4/1968
GB	1382227	1/1975
GB	2006892	5/1990
GB	2010086	10/1990
JP	1-198983	8/1989
JP	3-172482	7/1991
JP	3212589	9/1991
JP	8210001	8/1996
WO	92/03631	3/1992

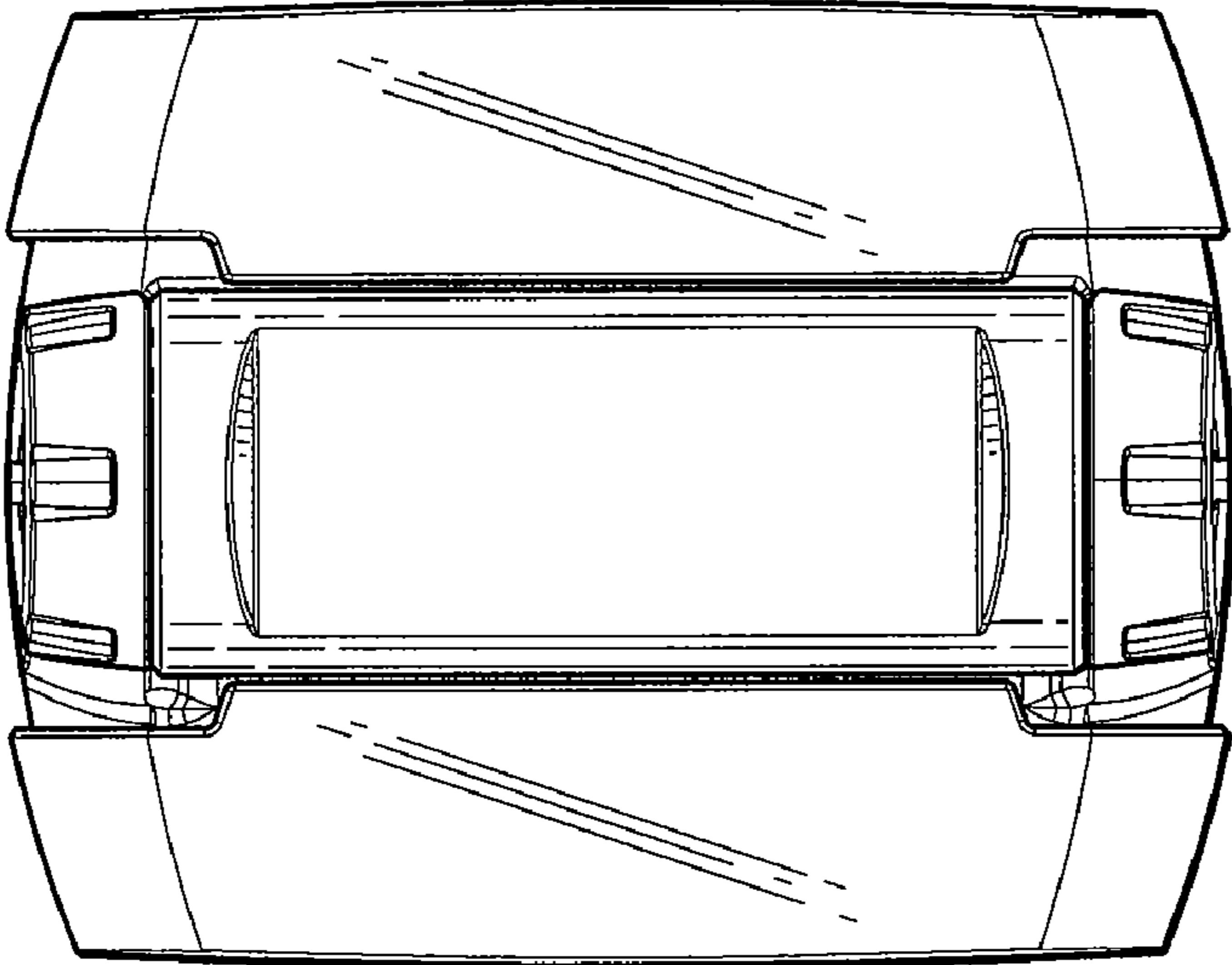
\* cited by examiner



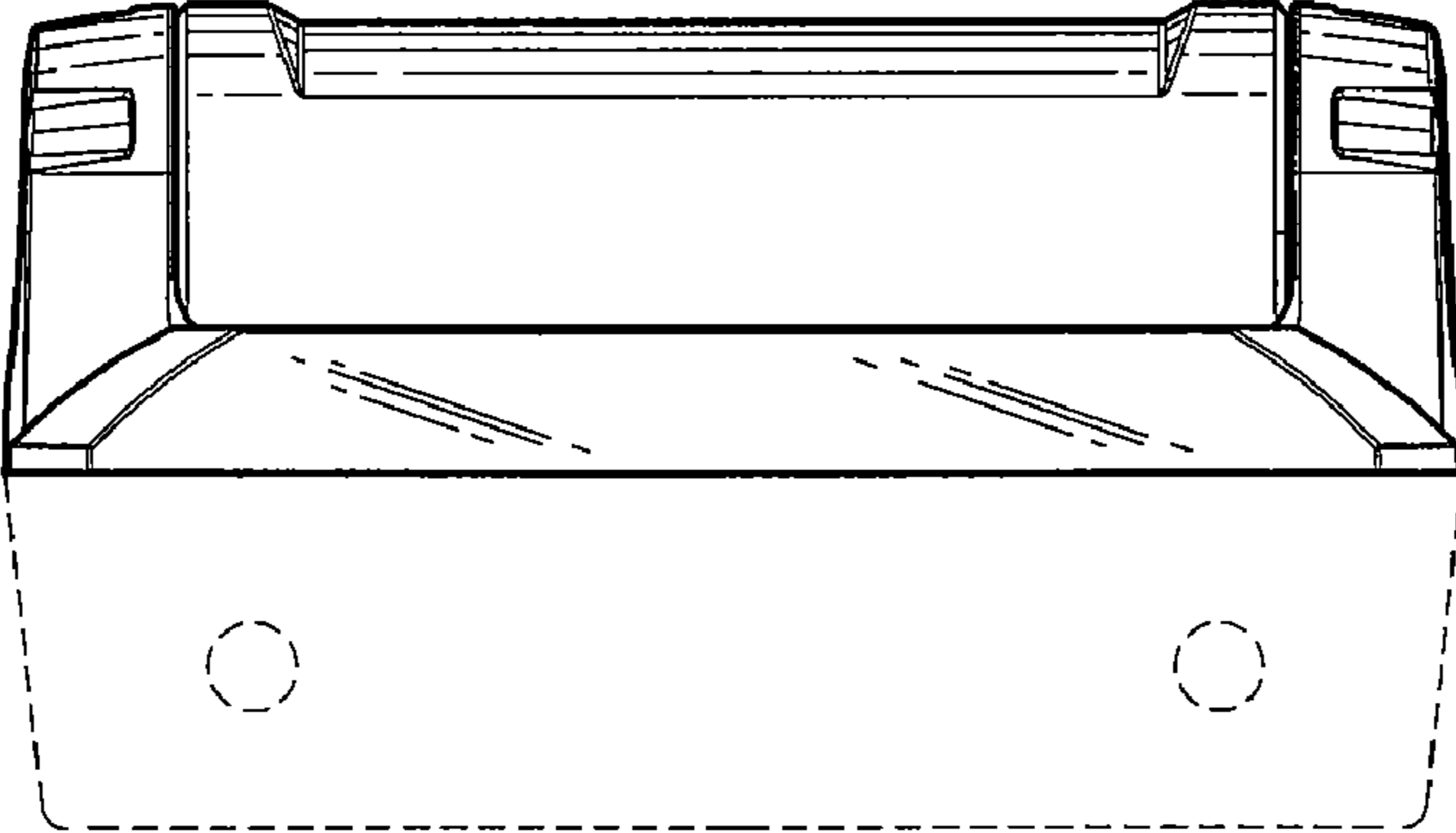
**FIG. 1**



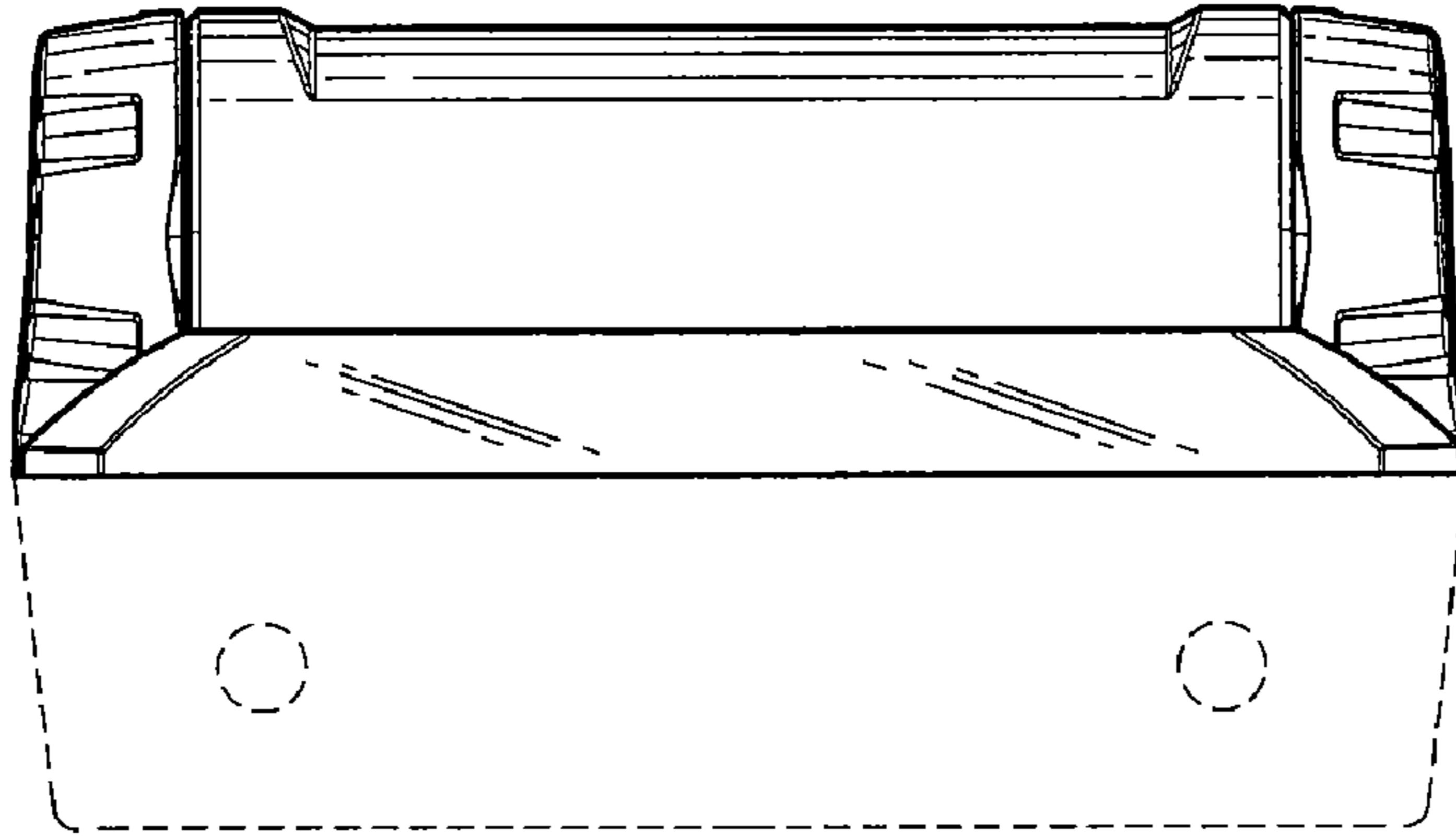
**FIG. 2**



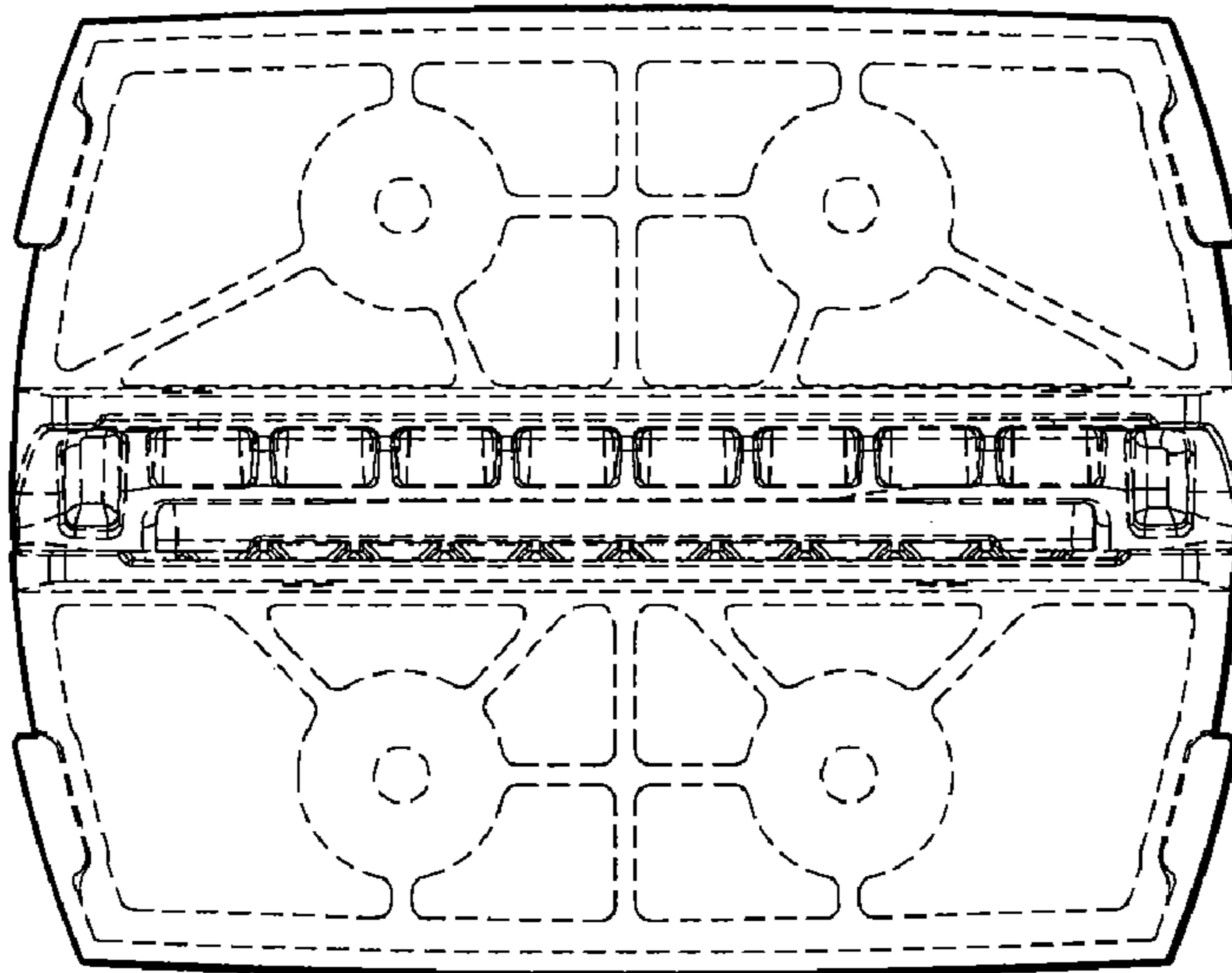
**FIG. 3**



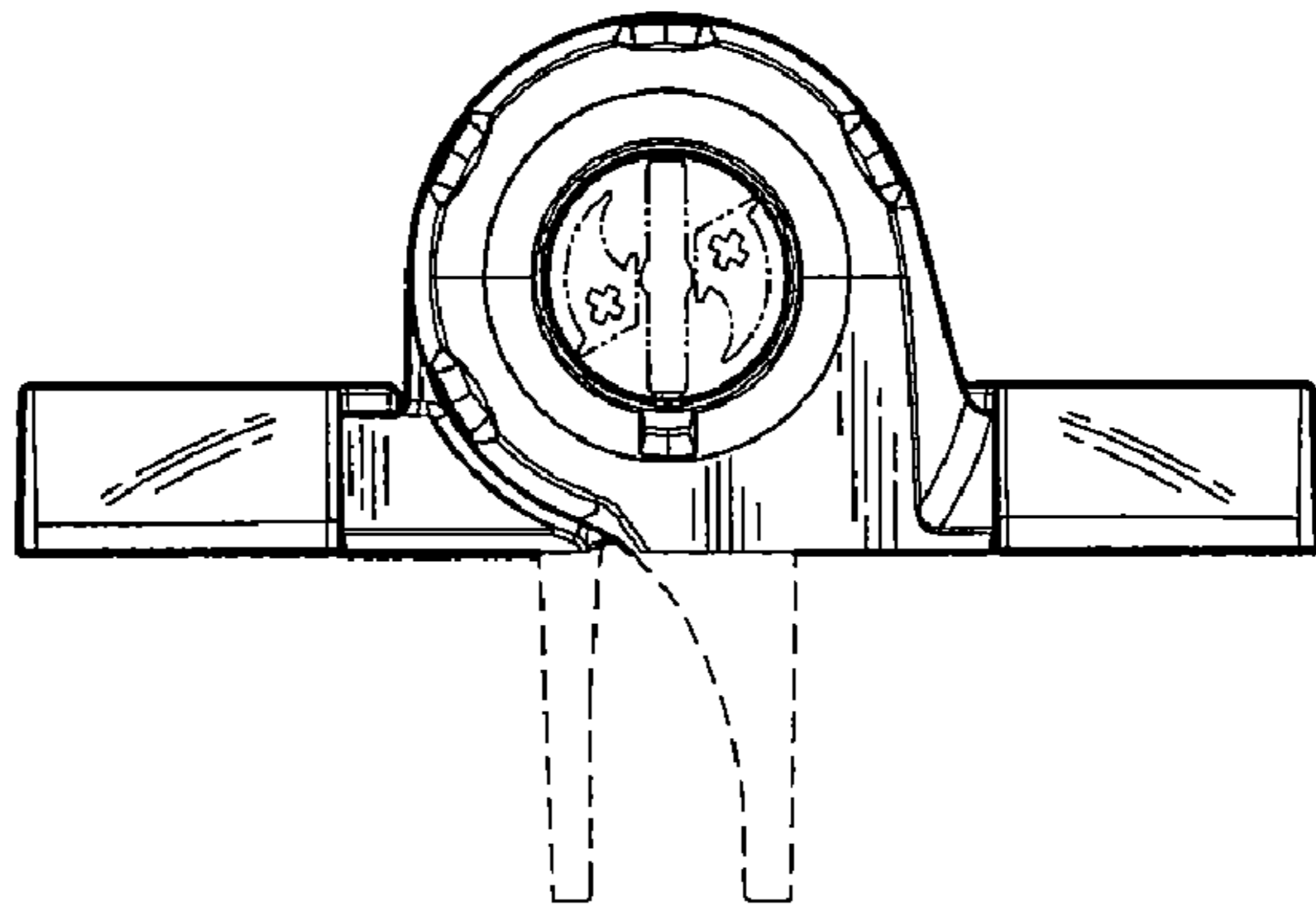
**FIG. 4**



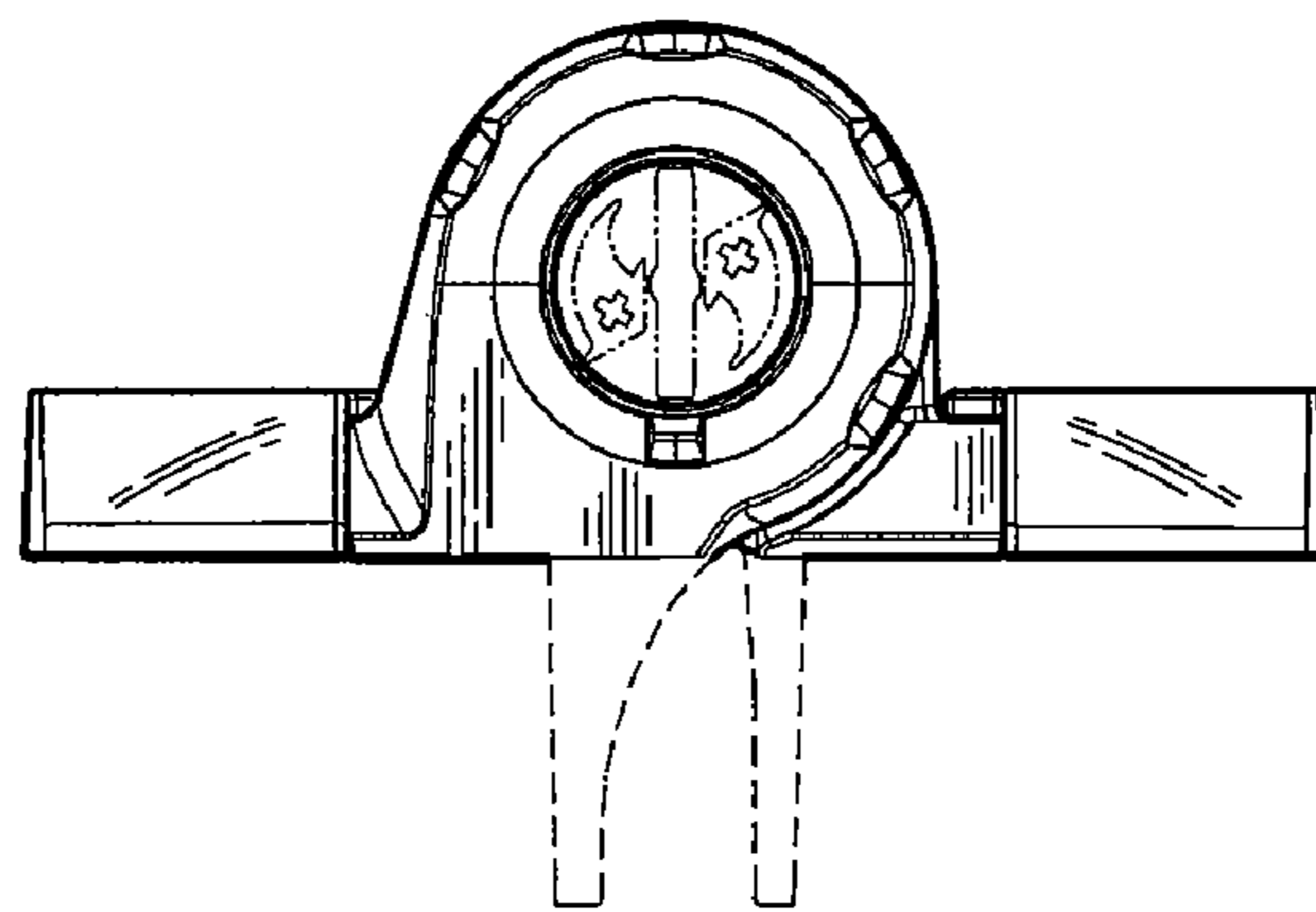
**FIG. 5**



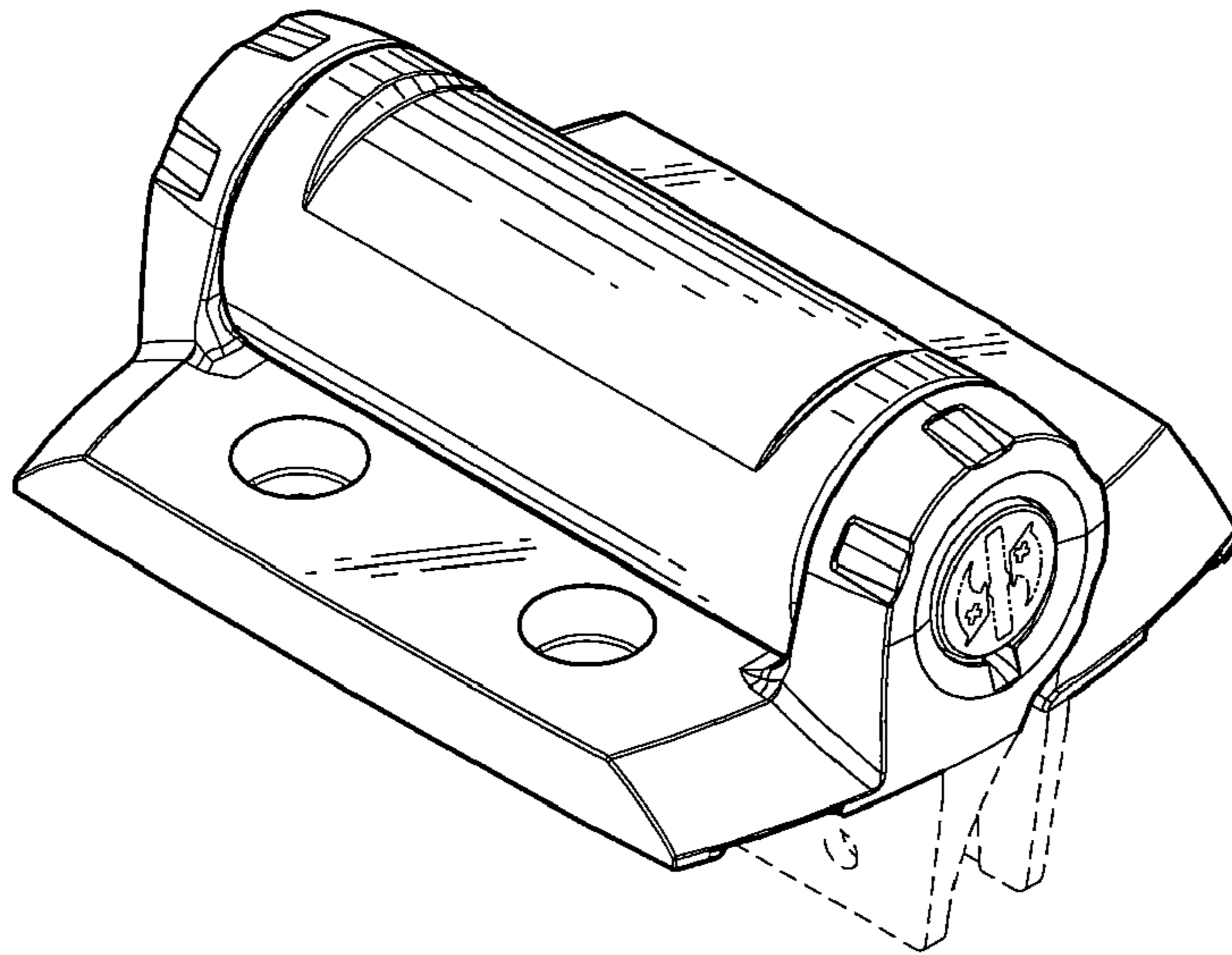
**FIG. 6**



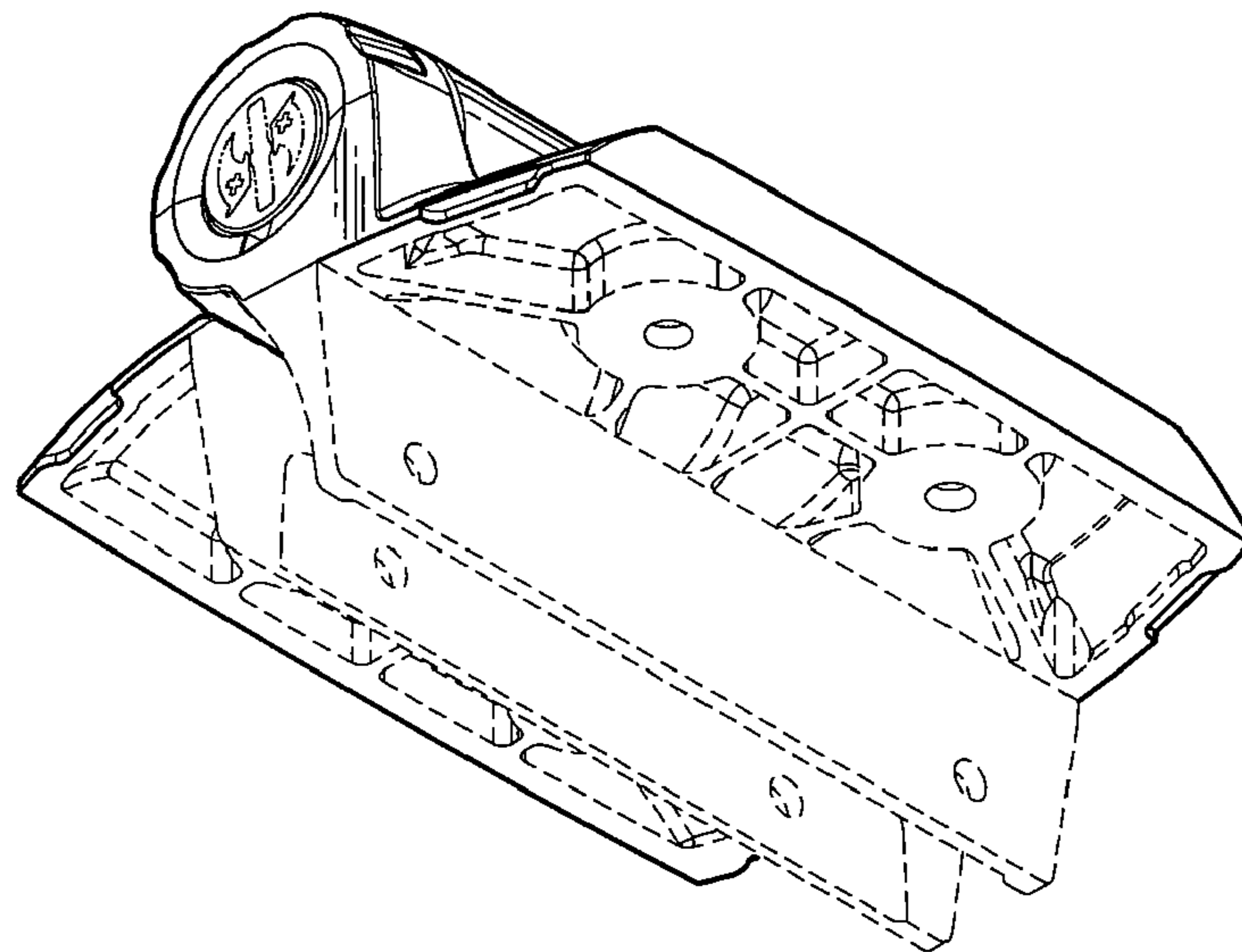
**FIG. 7**



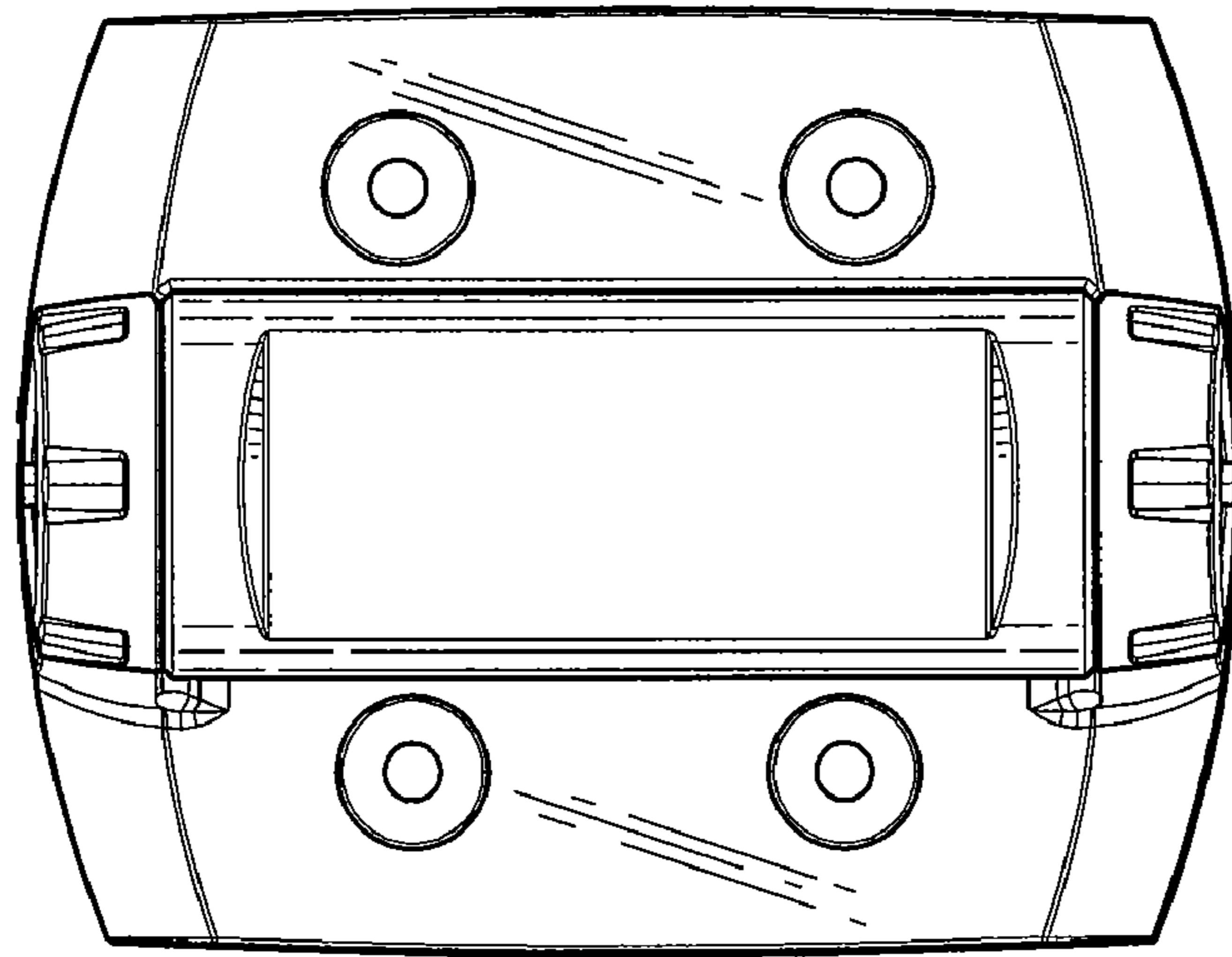
**FIG. 8**



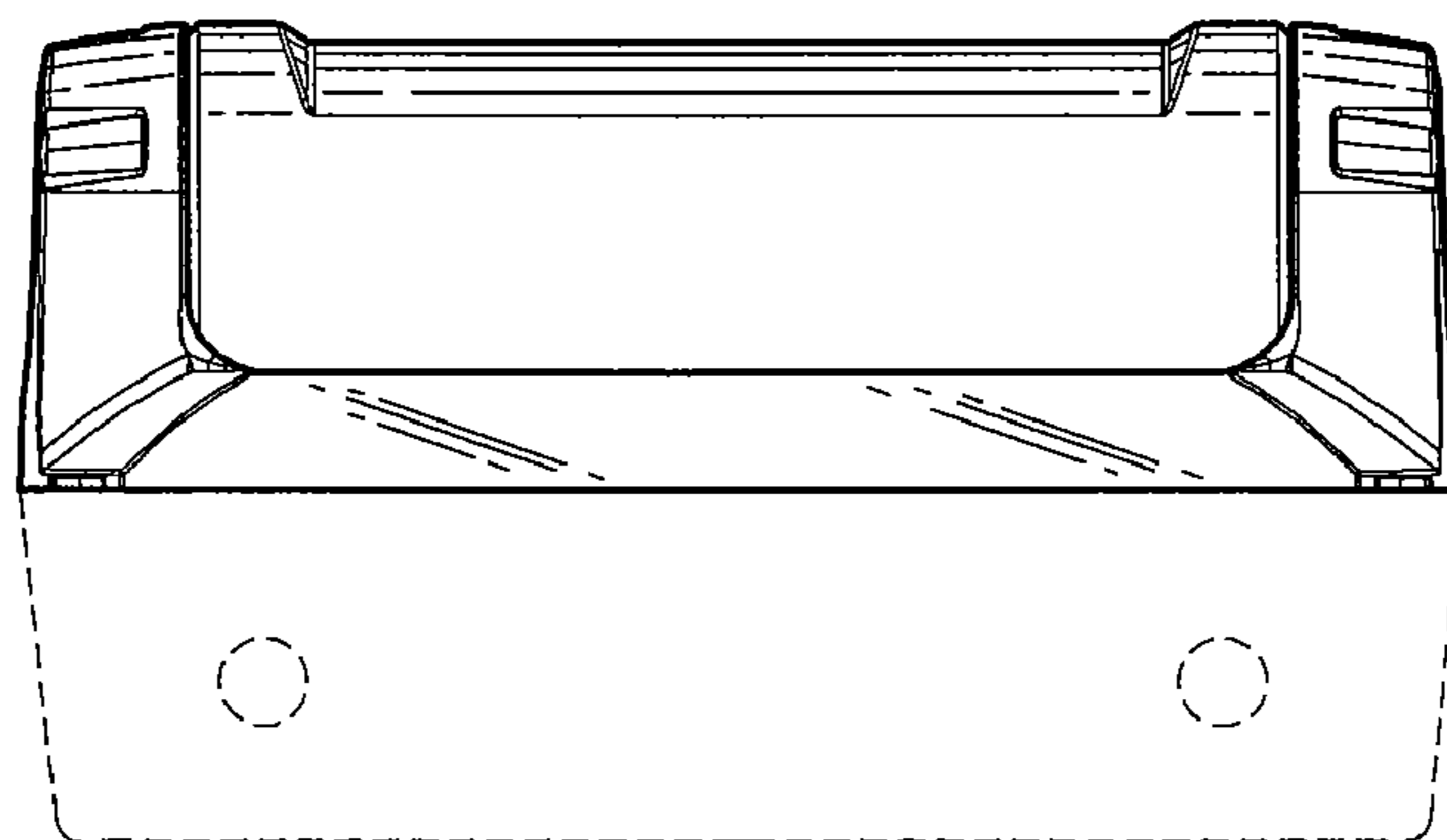
**FIG. 9**



**FIG. 10**

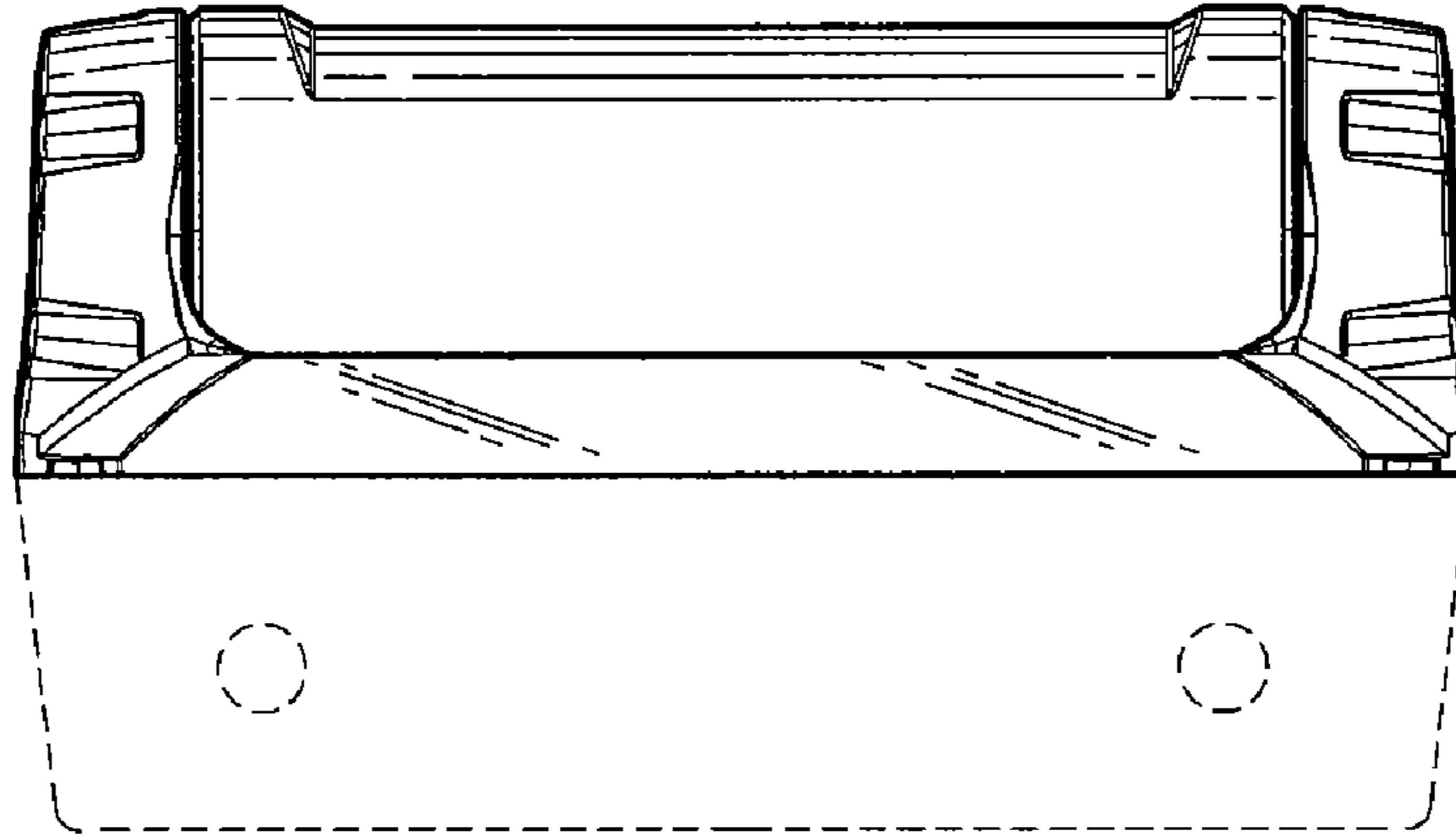


**FIG. 11**

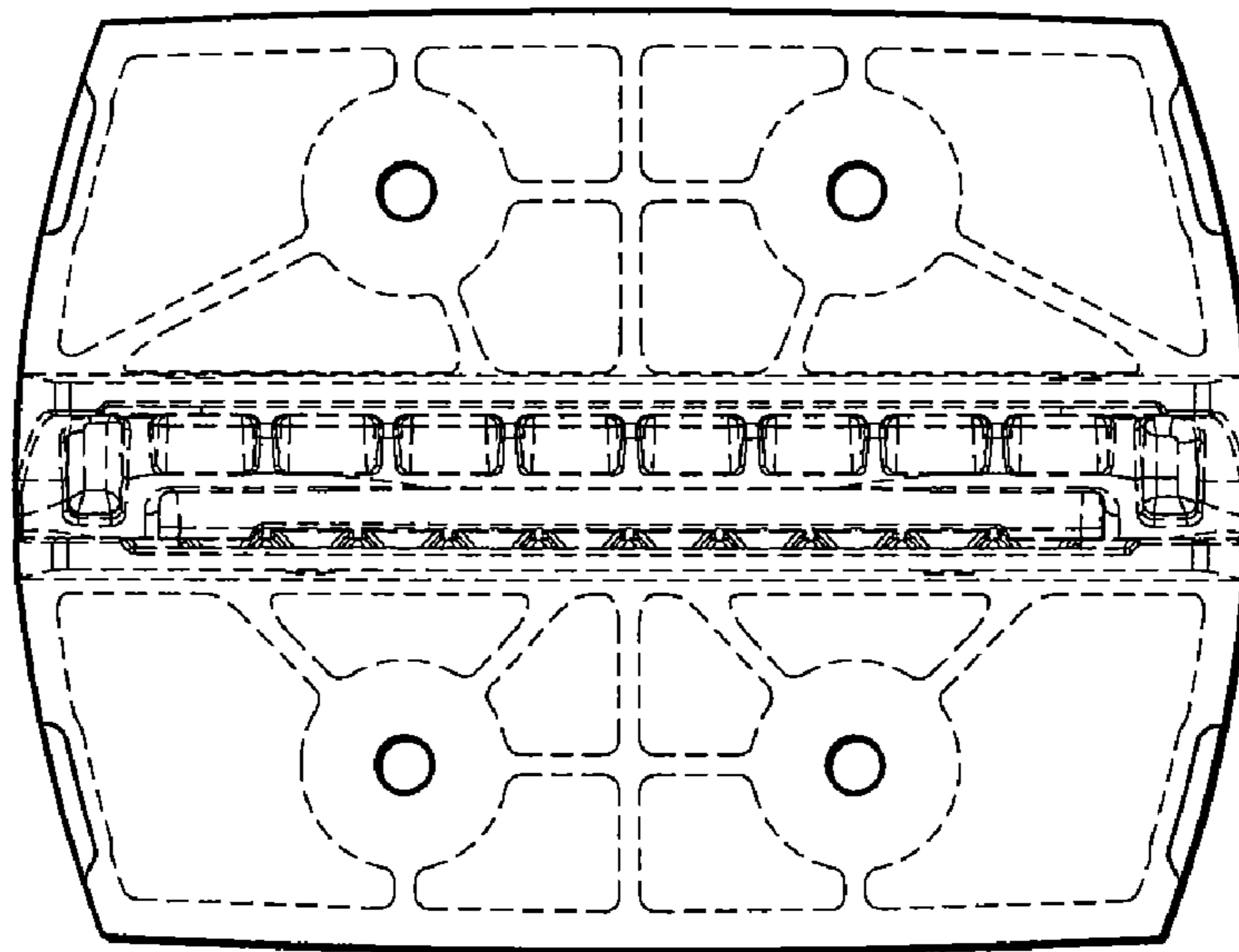


**FIG. 12**

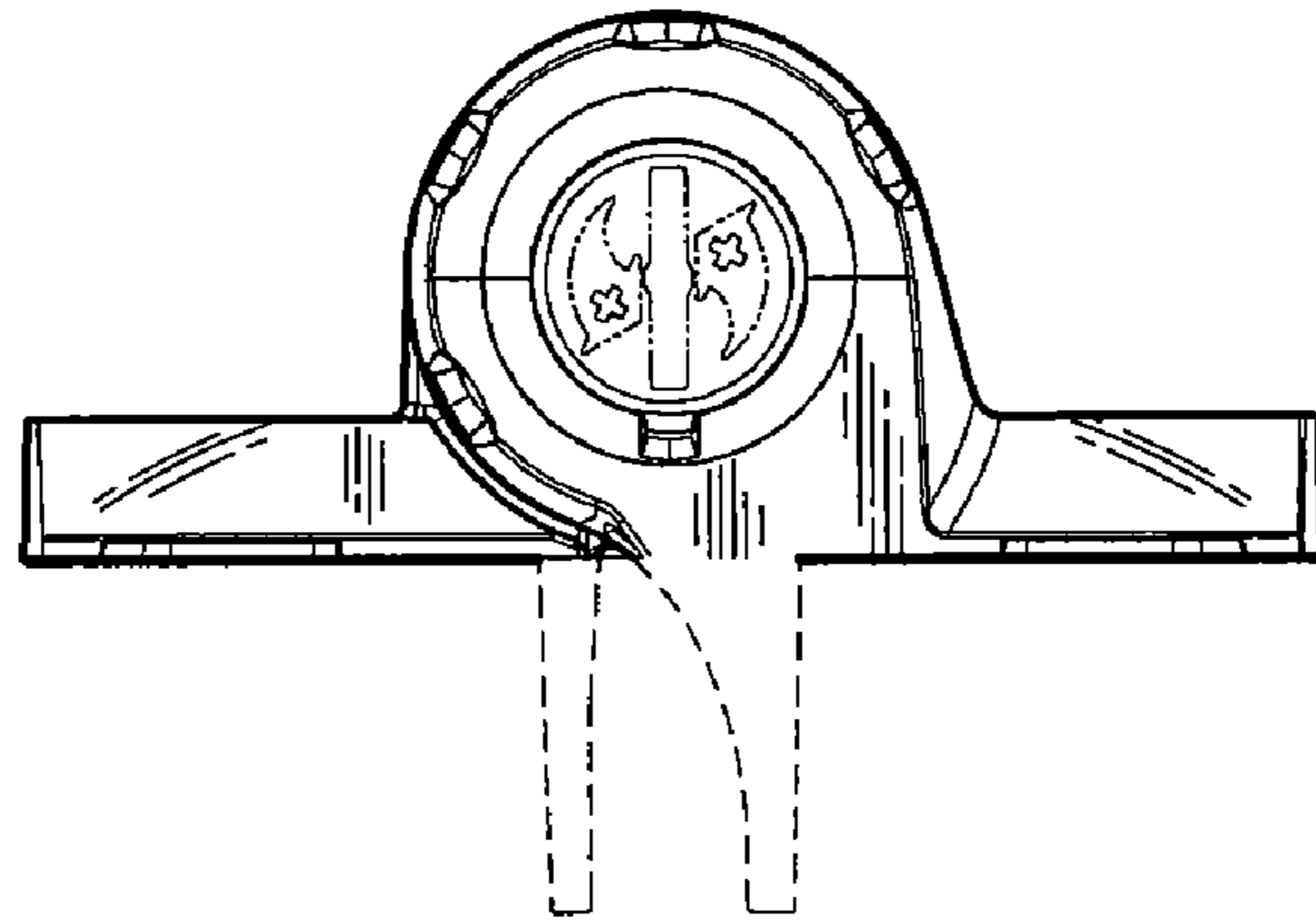




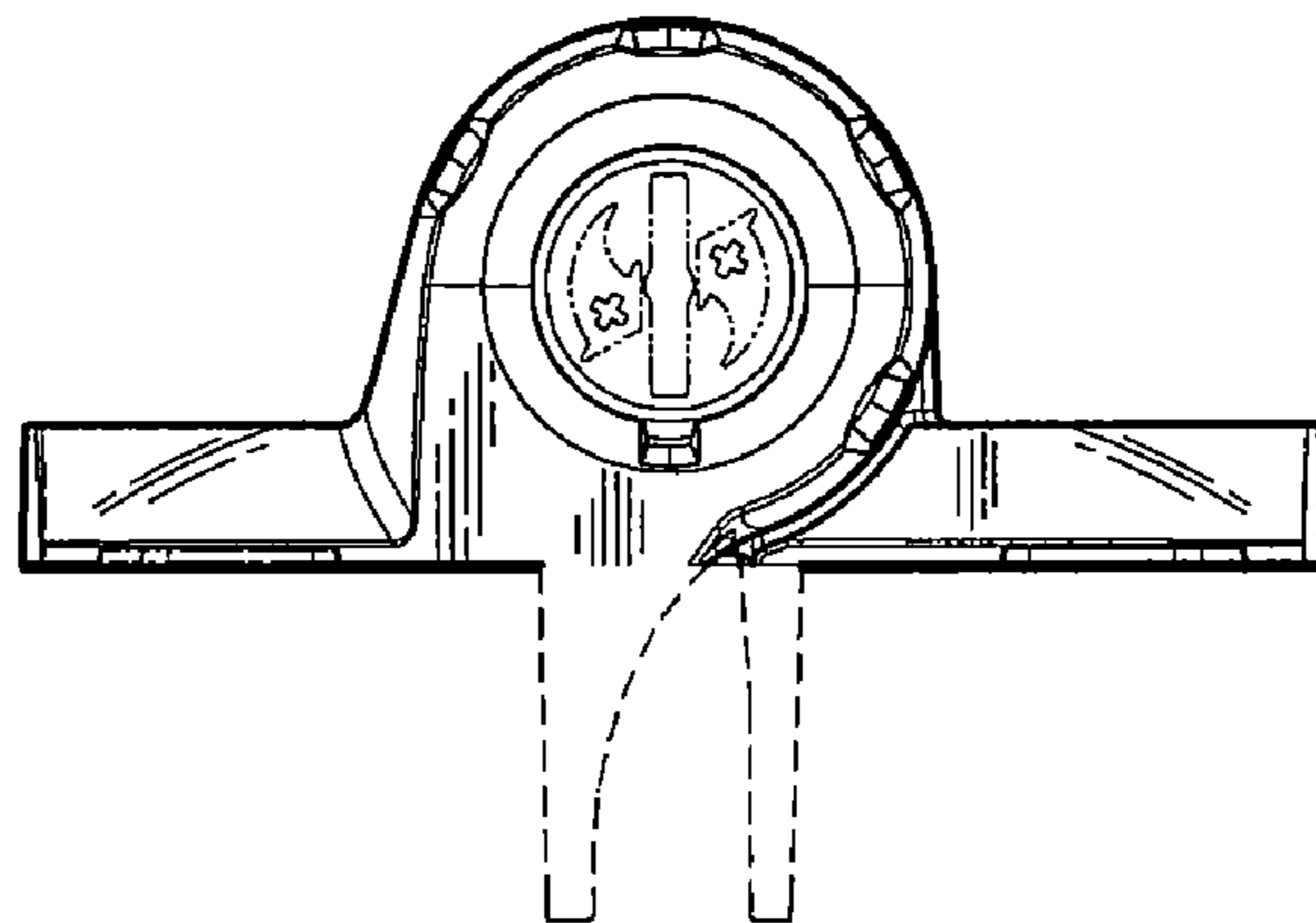
**FIG. 13**



**FIG. 14**



**FIG. 15**



**FIG. 16**