



US00D647775S

(12) **United States Design Patent**
Tószegi

(10) **Patent No.:** **US D647,775 S**

(45) **Date of Patent:** **** Nov. 1, 2011**

(54) **SCREWDRIVER**

(75) **Inventor:** **Alexander Tószegi**, Leutenbach (DE)

(73) **Assignee:** **Hilti Aktiengesellschaft**, Schaan (LI)

(**) **Term:** **14 Years**

(21) **Appl. No.:** **29/386,286**

(22) **Filed:** **Feb. 28, 2011**

(30) **Foreign Application Priority Data**

Sep. 3, 2010 (WO) DM/074 344

(51) **LOC (9) Cl.** **08-04**

(52) **U.S. Cl.** **D8/68**

(58) **Field of Classification Search** D8/14.1,

D8/61, 62, 63, 64, 65, 66, 67, 68, 69, 70;

81/57.11, 429, 454, 455, 456, 469, 489; 173/13,

173/104, 114, 168, 169, 170, 171, 178, 201,

173/211, 213, 217; 408/20, 124, 125, 234,

408/241 R; 451/358; 310/50; 227/8, 113,

227/114, 120, 130, 136, 142

See application file for complete search history.

(56) **References Cited**

U.S. PATENT DOCUMENTS

D567,614 S * 4/2008 Okuda D8/68

D608,174 S * 1/2010 Wright D8/68

D609,543 S * 2/2010 Misaki et al. D8/68

D617,168 S * 6/2010 Yamamoto et al. D8/68

* cited by examiner

Primary Examiner — Antoine D Davis

(74) *Attorney, Agent, or Firm* — Crowell & Moring LLP

(57) **CLAIM**

The ornamental design for a screwdriver, as shown and described.

DESCRIPTION

FIG. 1 is a left, rear perspective view of a first embodiment of a screwdriver according to my design;

FIG. 2 is a left side view thereof;

FIG. 3 is a right side view thereof;

FIG. 4 is a front view thereof;

FIG. 5 is a rear view thereof;

FIG. 6 is a top thereof; and

FIG. 7 is a bottom view thereof.

FIG. 8 is a left, rear perspective view of a second embodiment of the screwdriver according to my design;

FIG. 9 is a left side view thereof;

FIG. 10 is a right side view thereof;

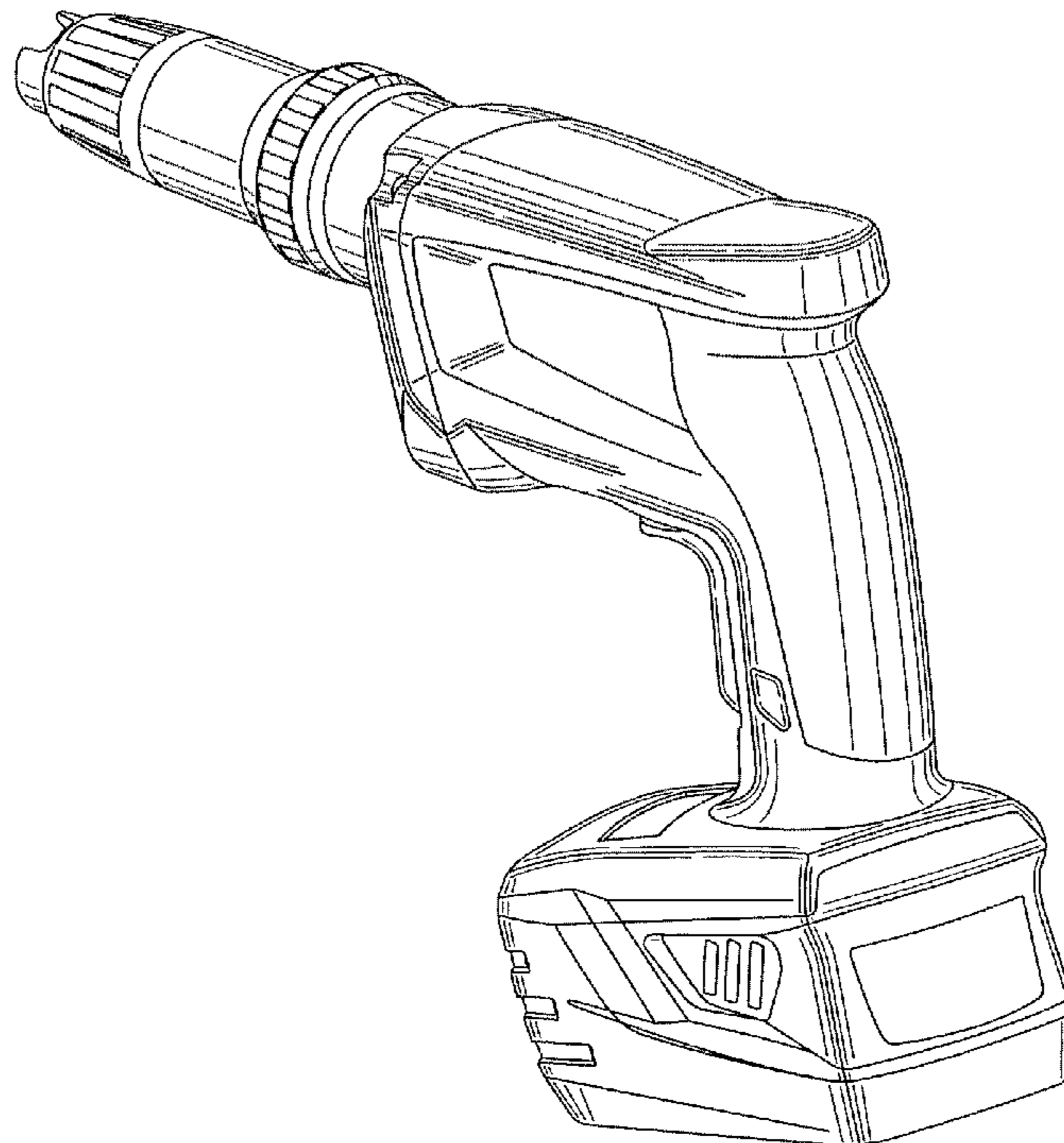
FIG. 11 is a front view thereof;

FIG. 12 is a rear view thereof;

FIG. 13 is a top thereof; and,

FIG. 14 is a bottom view thereof.

1 Claim, 14 Drawing Sheets



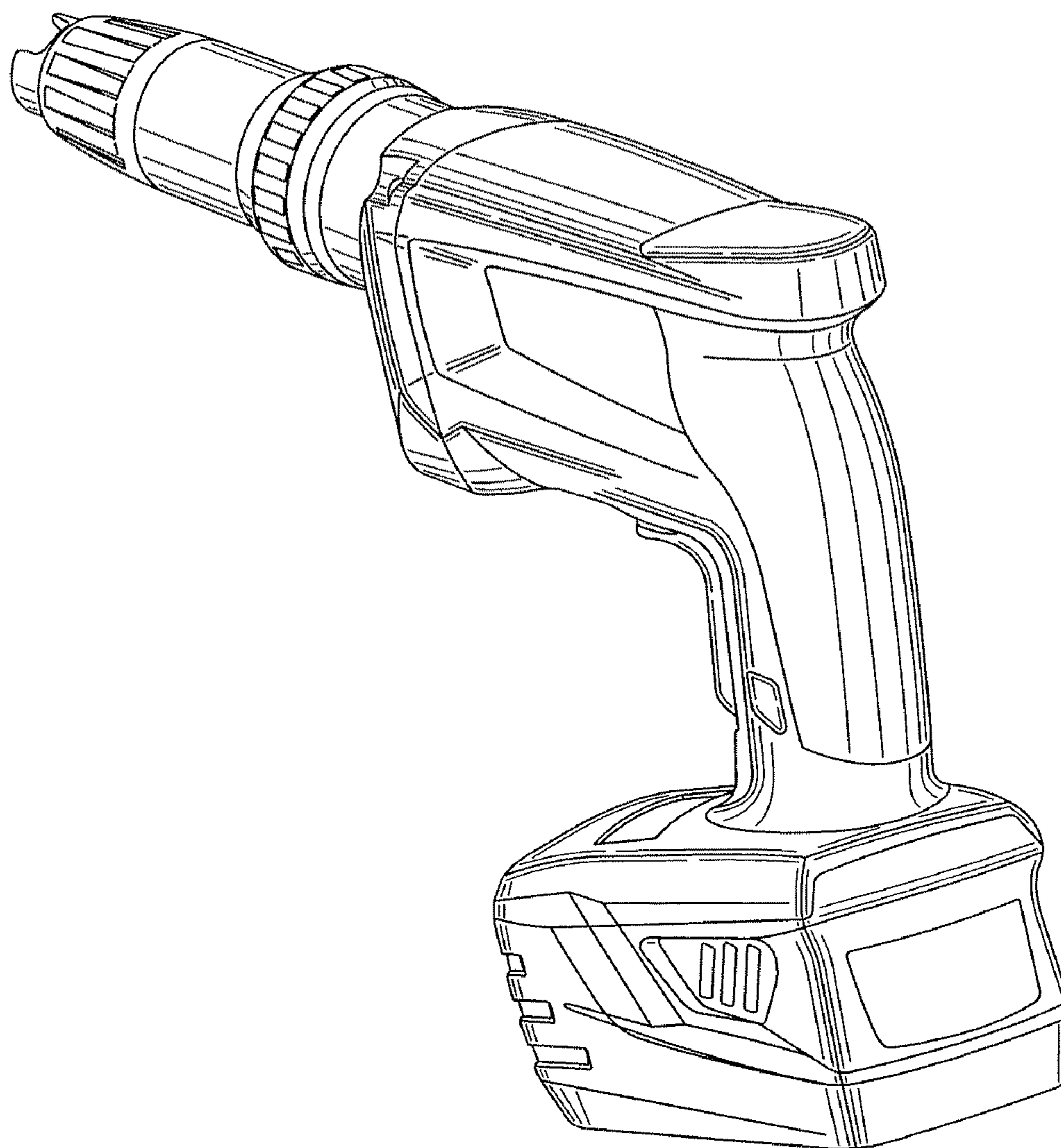


FIG. 1

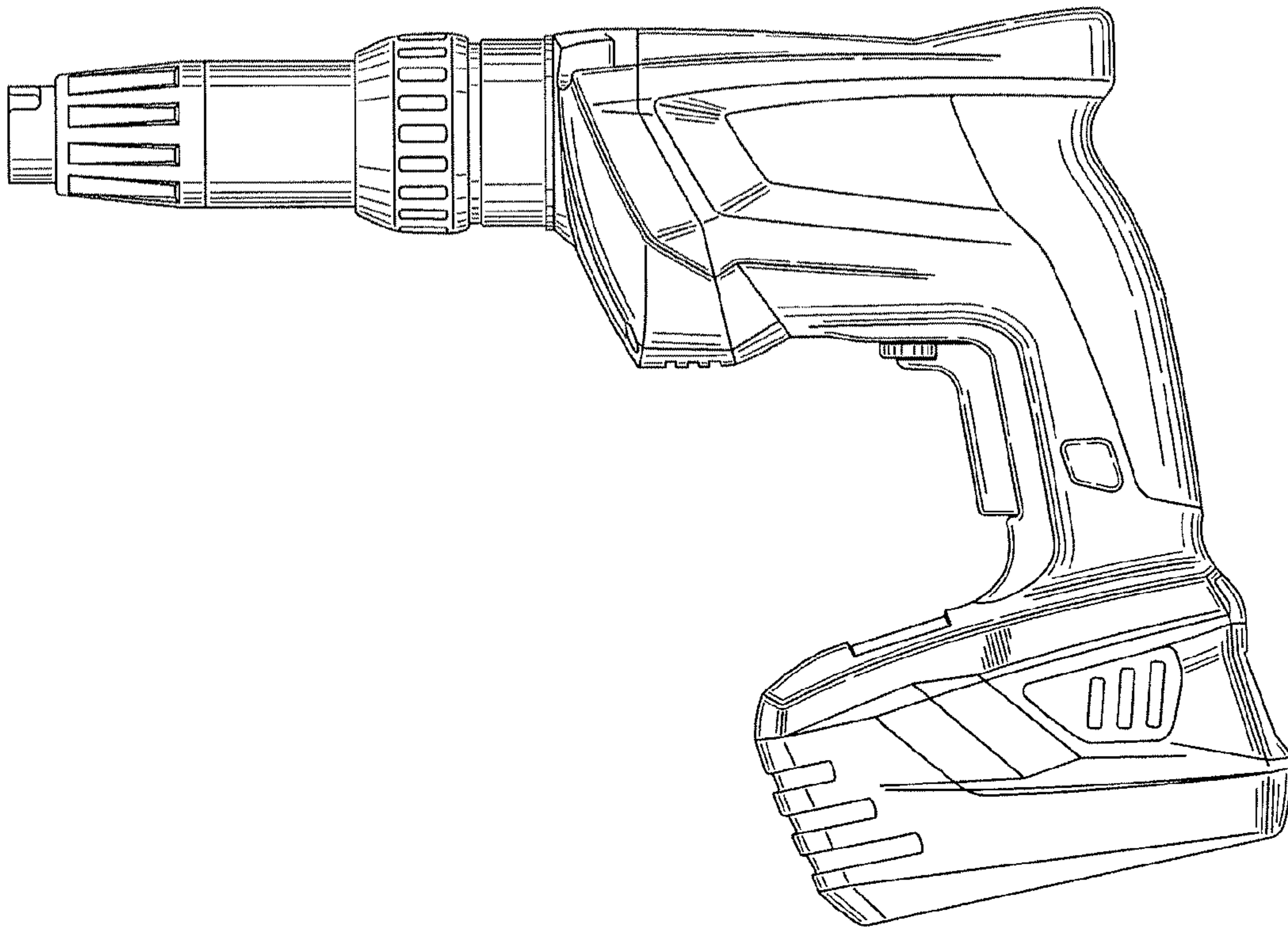


FIG. 2

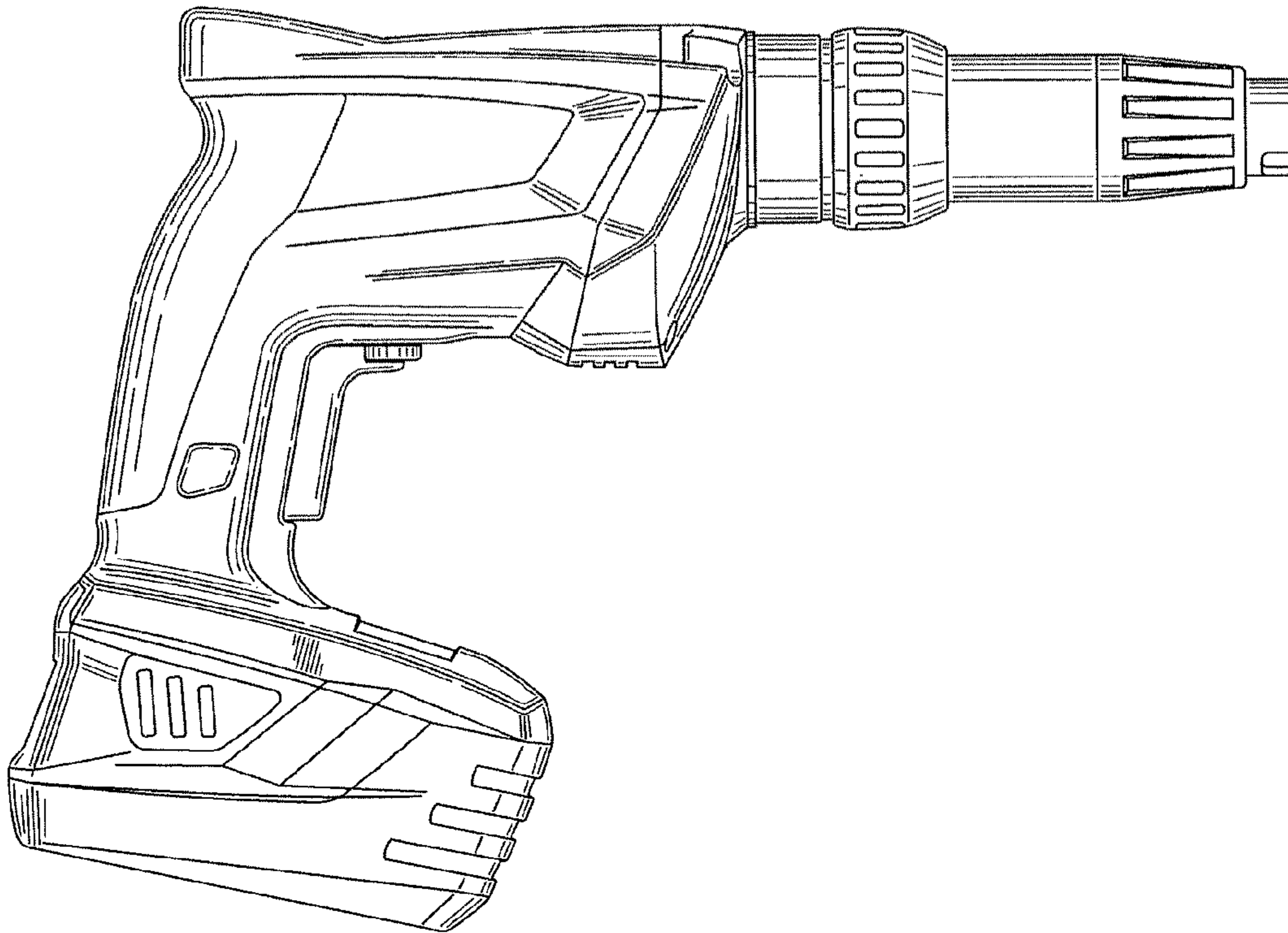


FIG. 3

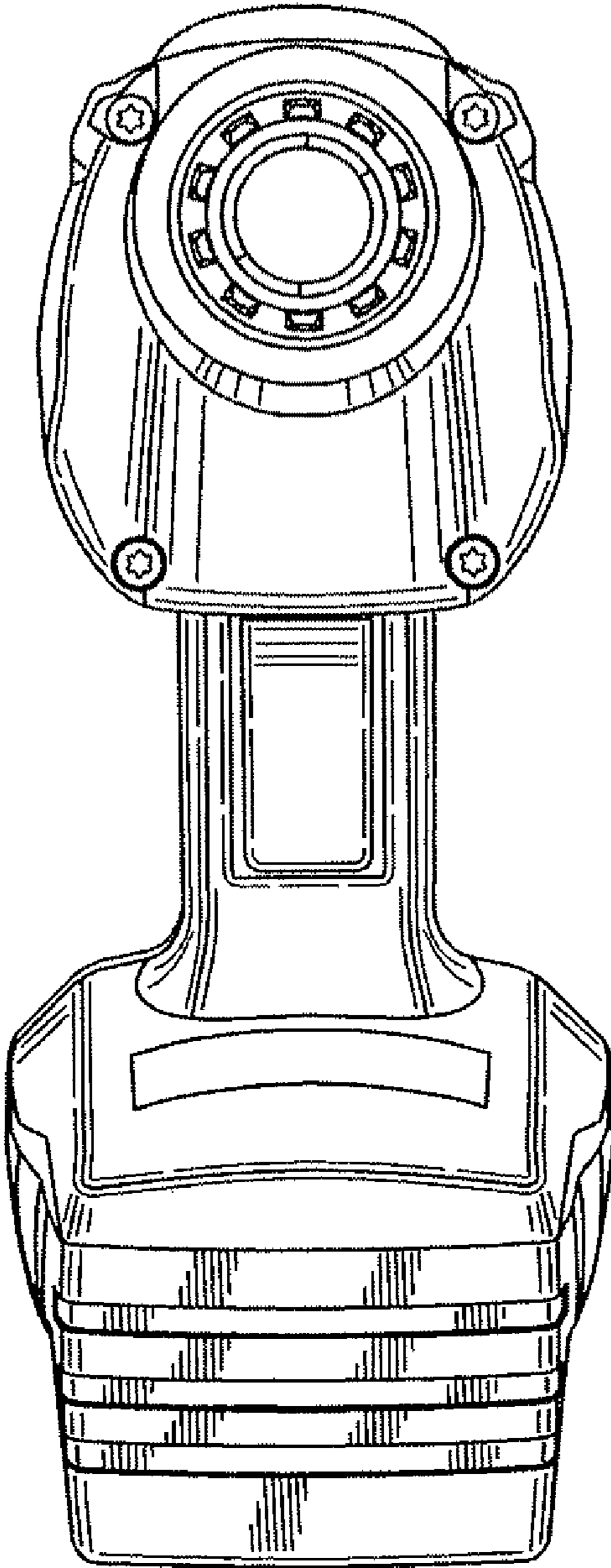


FIG. 4

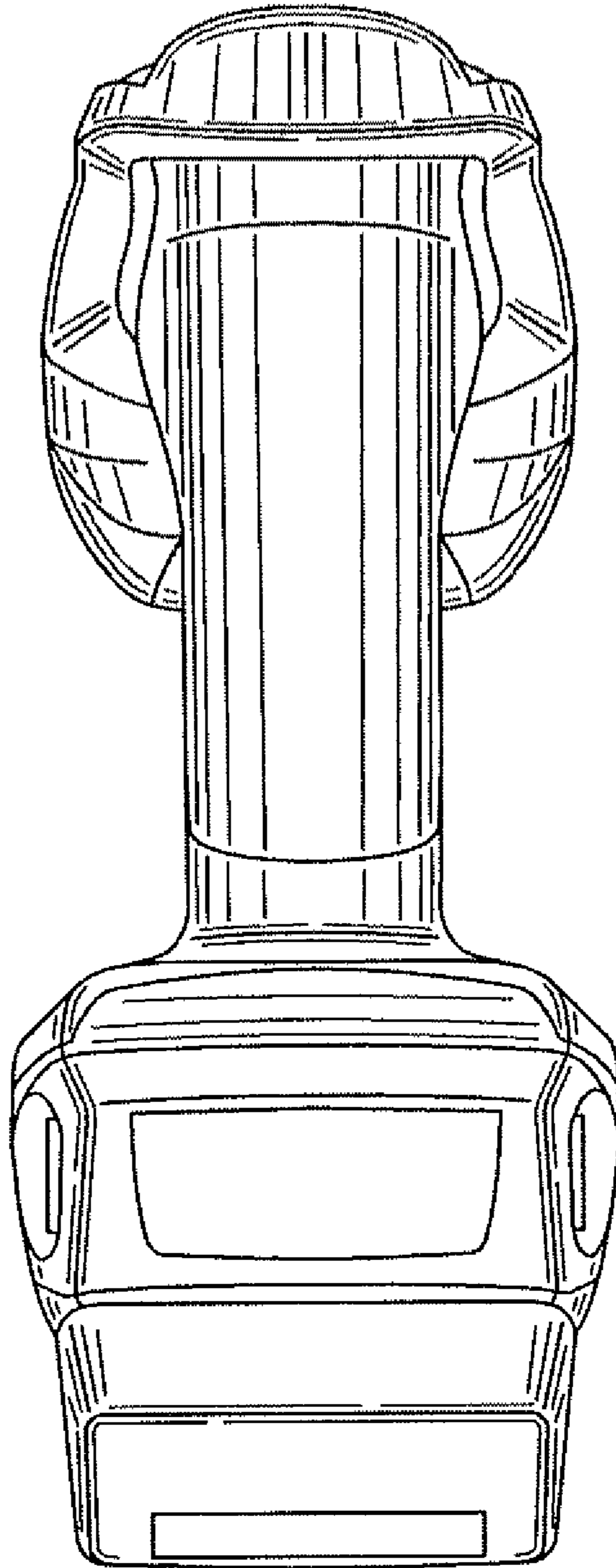


FIG. 5

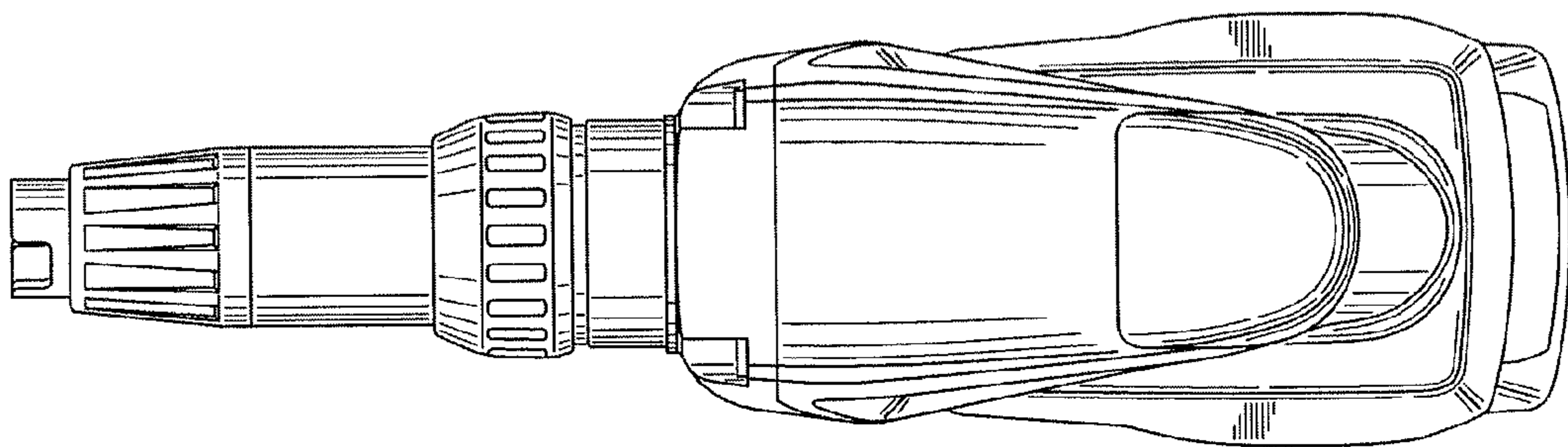


FIG. 6

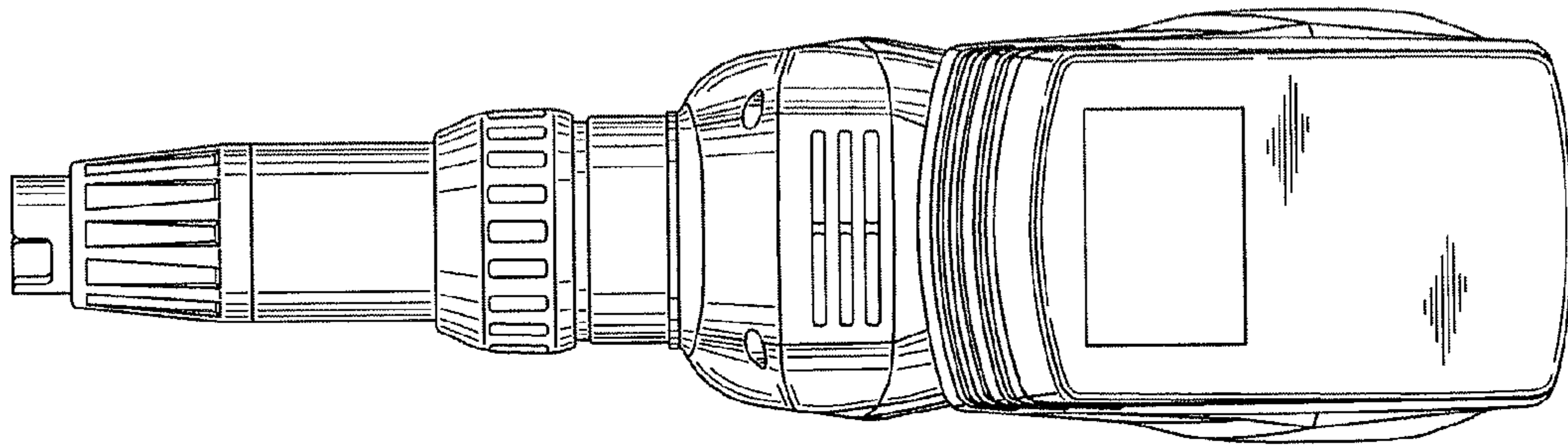


FIG. 7

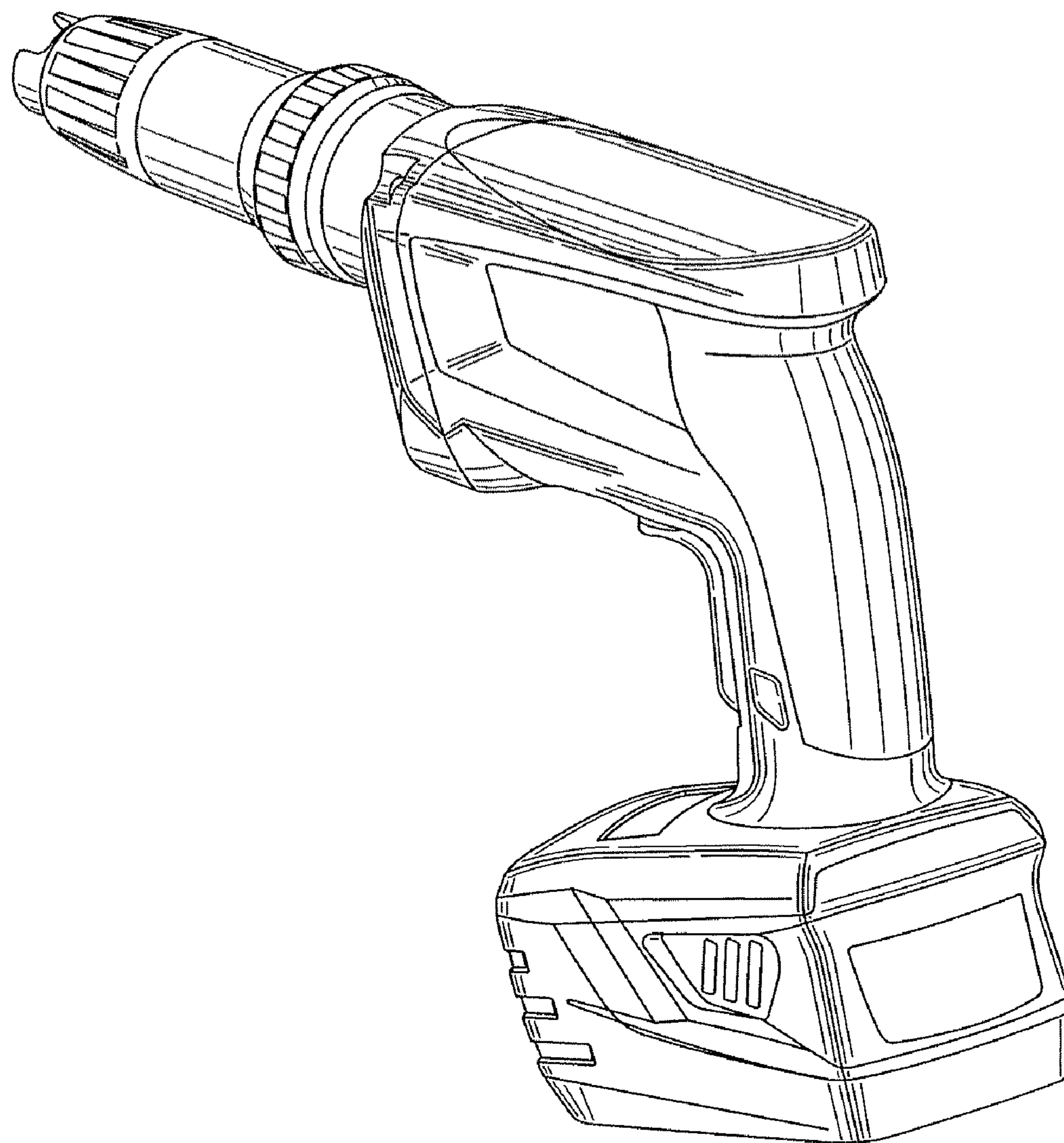


FIG. 8

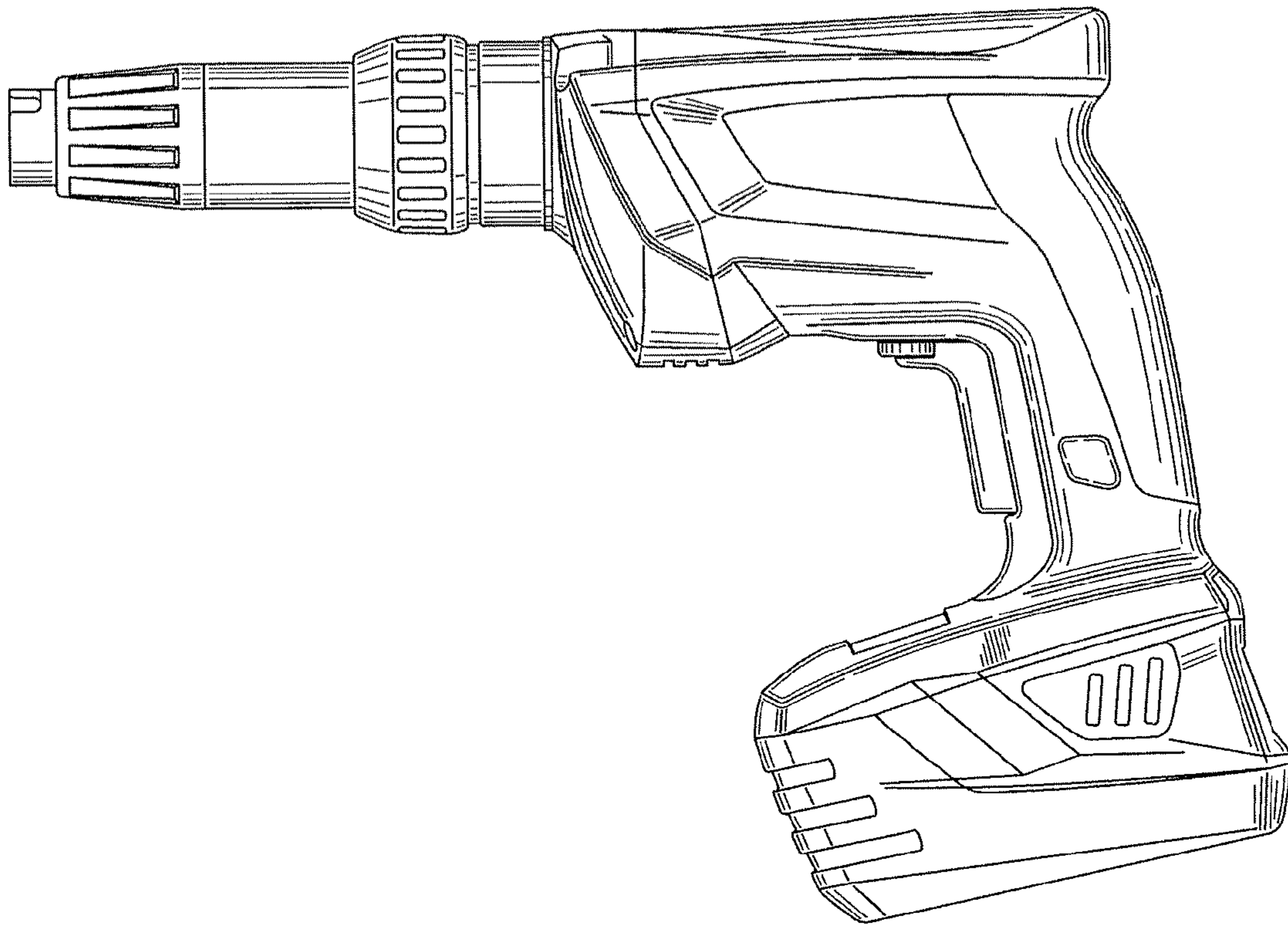


FIG. 9

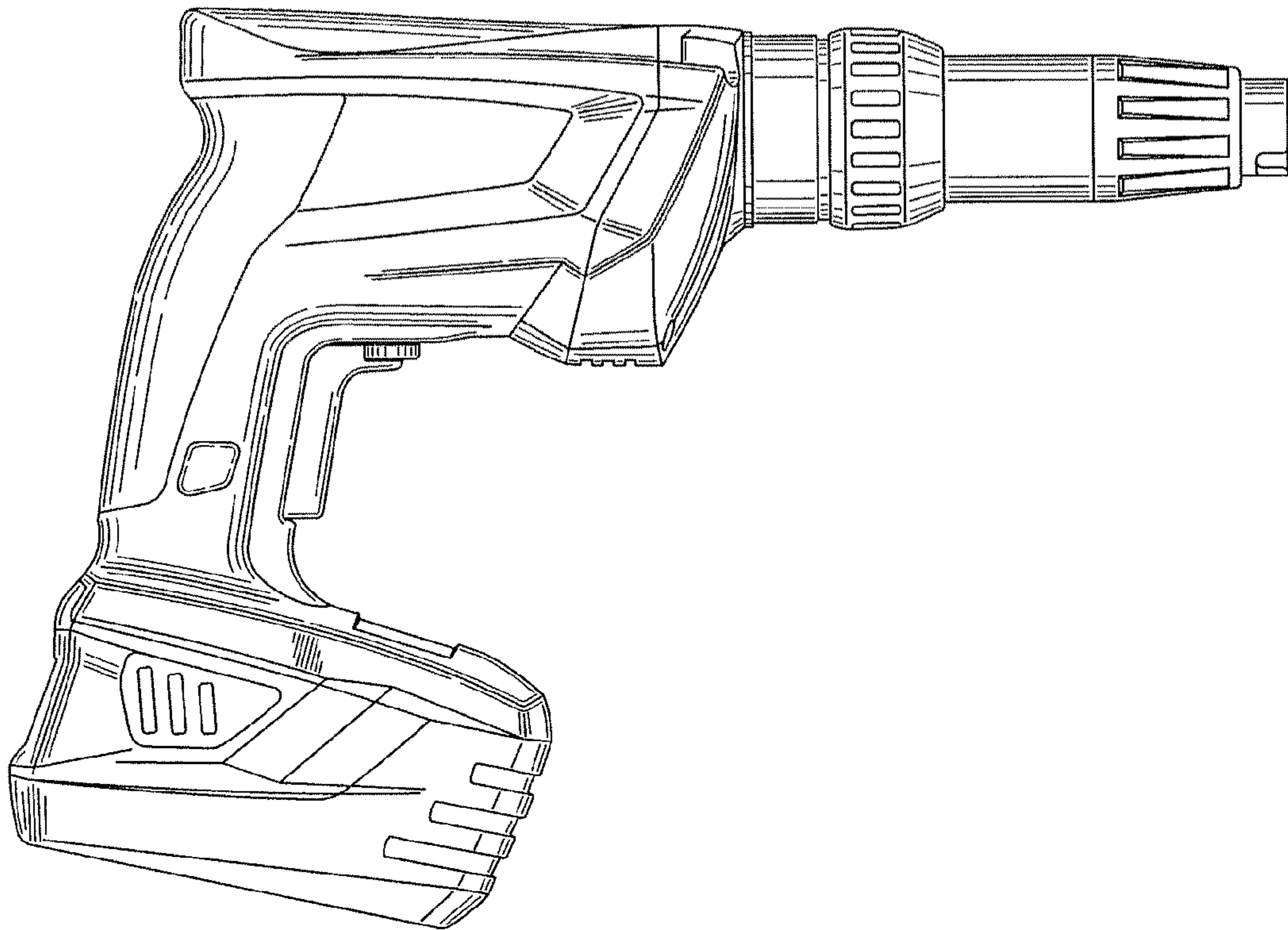


FIG. 10

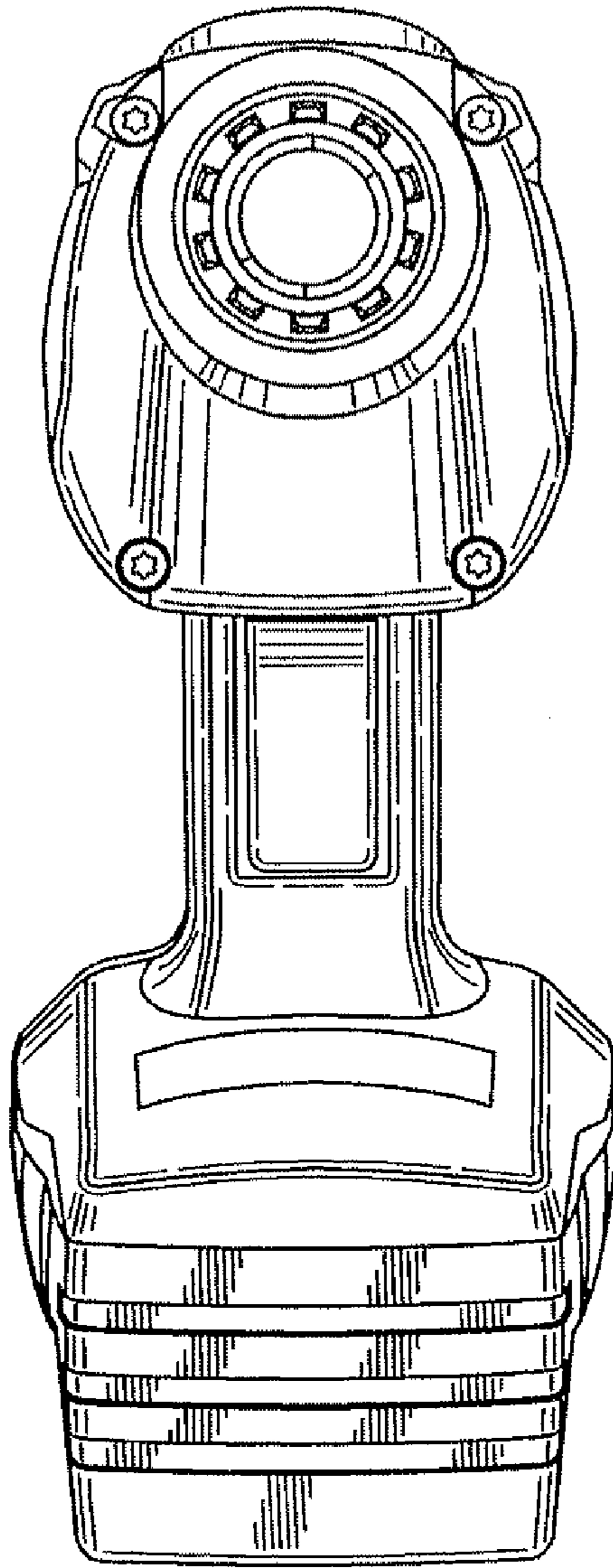


FIG. 11

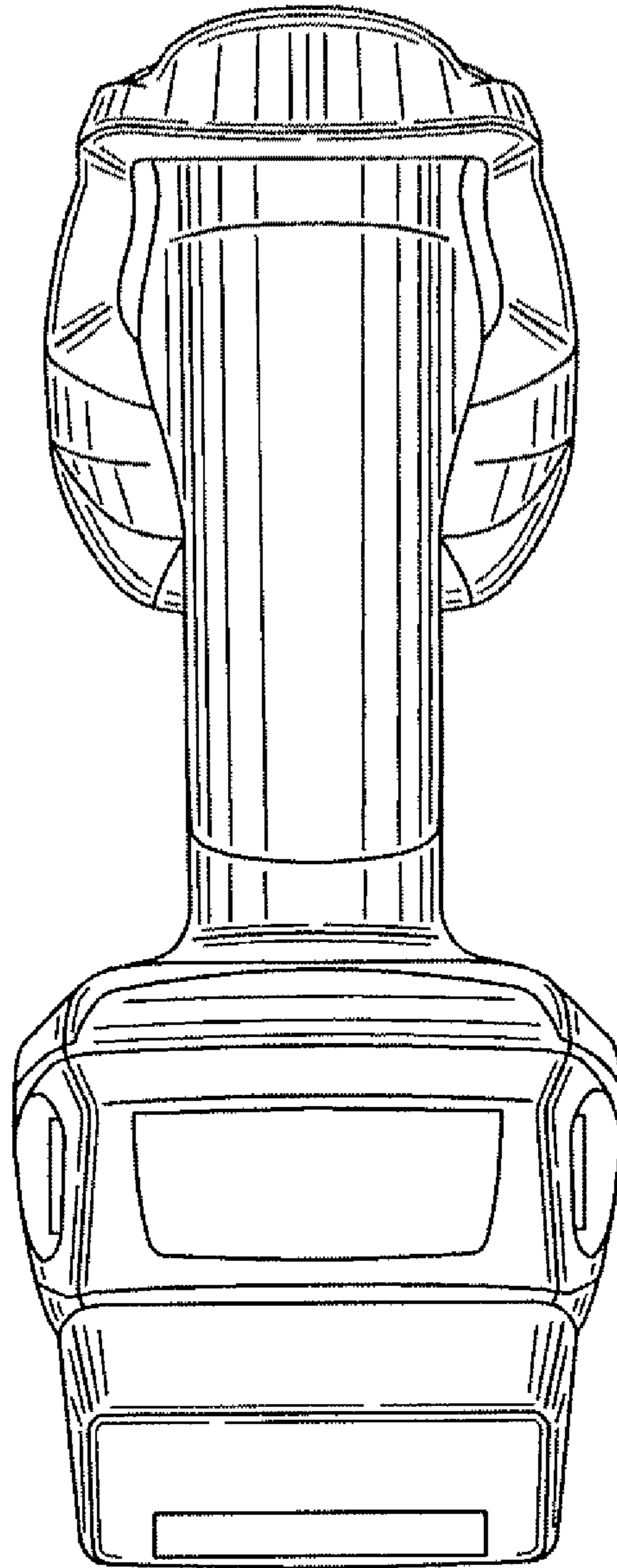


FIG. 12

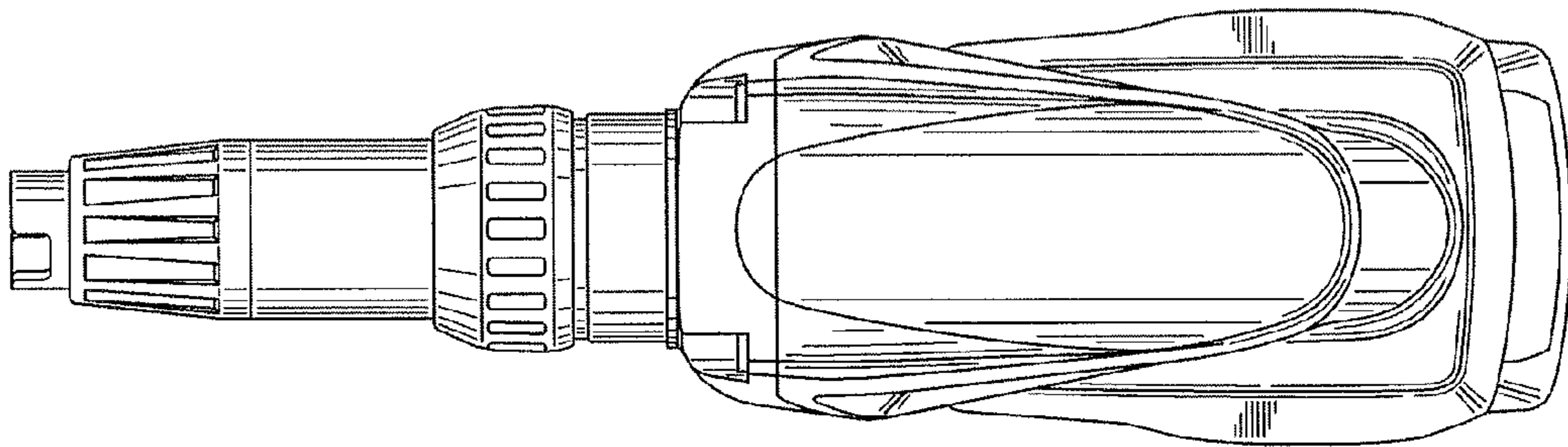


FIG. 13

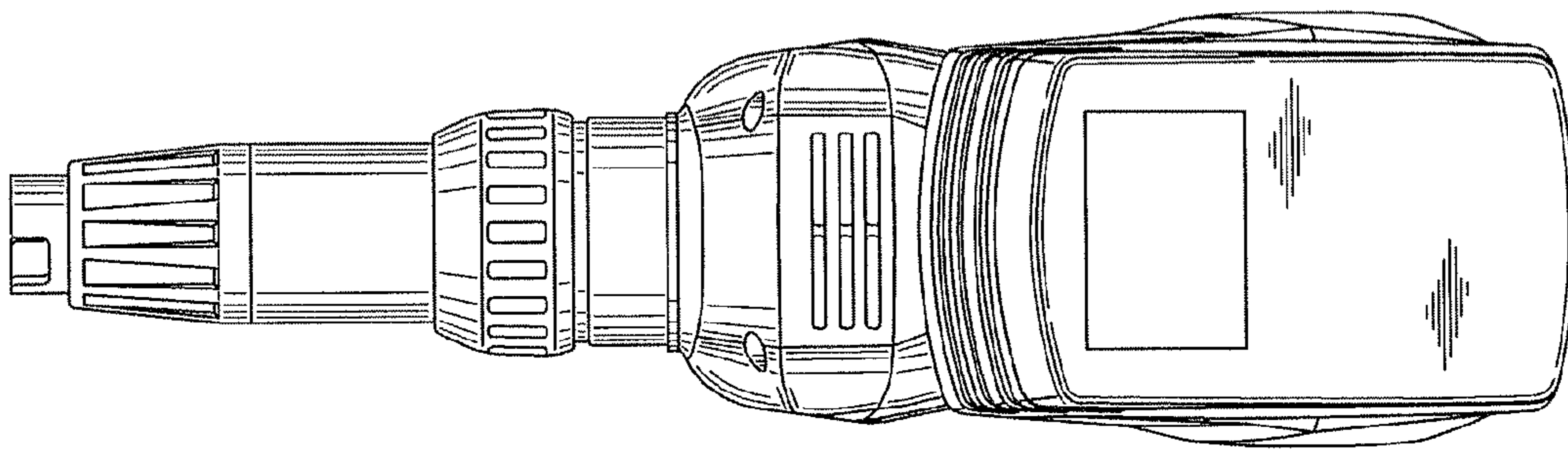


FIG. 14