



US00D647774S

(12) **United States Design Patent**  
**Okuda et al.**

(10) **Patent No.:** **US D647,774 S**

(45) **Date of Patent:** **\*\* Nov. 1, 2011**

(54) **PORTABLE ELECTRIC SCREWDRIVER**

(75) Inventors: **Shinsuke Okuda**, Aichi-ken (JP);  
**Akinori Ito**, Aichi-ken (JP)

(73) Assignee: **Makita Corporation**, Anjo-shi (JP)

(\*\*) Term: **14 Years**

(21) Appl. No.: **29/384,749**

(22) Filed: **Feb. 3, 2011**

(30) **Foreign Application Priority Data**

Aug. 6, 2010 (JP) ..... 2010-019232

(51) **LOC (9) Cl.** ..... **08-04**

(52) **U.S. Cl.** ..... **D8/68**

(58) **Field of Classification Search** ..... D8/14.1,  
D8/61, 62, 63, 64, 65, 66, 67, 68, 69, 70;  
81/57.11, 429, 454, 455, 456, 469, 489; 173/13,  
173/104, 114, 168, 169, 170, 171, 178, 201,  
173/211, 213, 217; 408/20, 124, 125, 234,  
408/241 R; 451/358; 310/50; 227/8, 113,  
227/114, 120, 130, 136, 142  
See application file for complete search history.

(56) **References Cited**

**U.S. PATENT DOCUMENTS**

D567,614 S \* 4/2008 Okuda ..... D8/68  
D588,429 S 3/2009 Misaki et al.

D608,174 S \* 1/2010 Wright ..... D8/68  
D609,543 S \* 2/2010 Misaki et al. .... D8/68  
D617,168 S \* 6/2010 Yamamoto et al. .... D8/68

**FOREIGN PATENT DOCUMENTS**

EM 001093405 3/2009  
JP D1184171 9/2003  
JP D1240372 5/2005  
JP D1280931 9/2006

\* cited by examiner

*Primary Examiner* — Antoine D Davis

(74) *Attorney, Agent, or Firm* — Oliff & Berridge, PLC

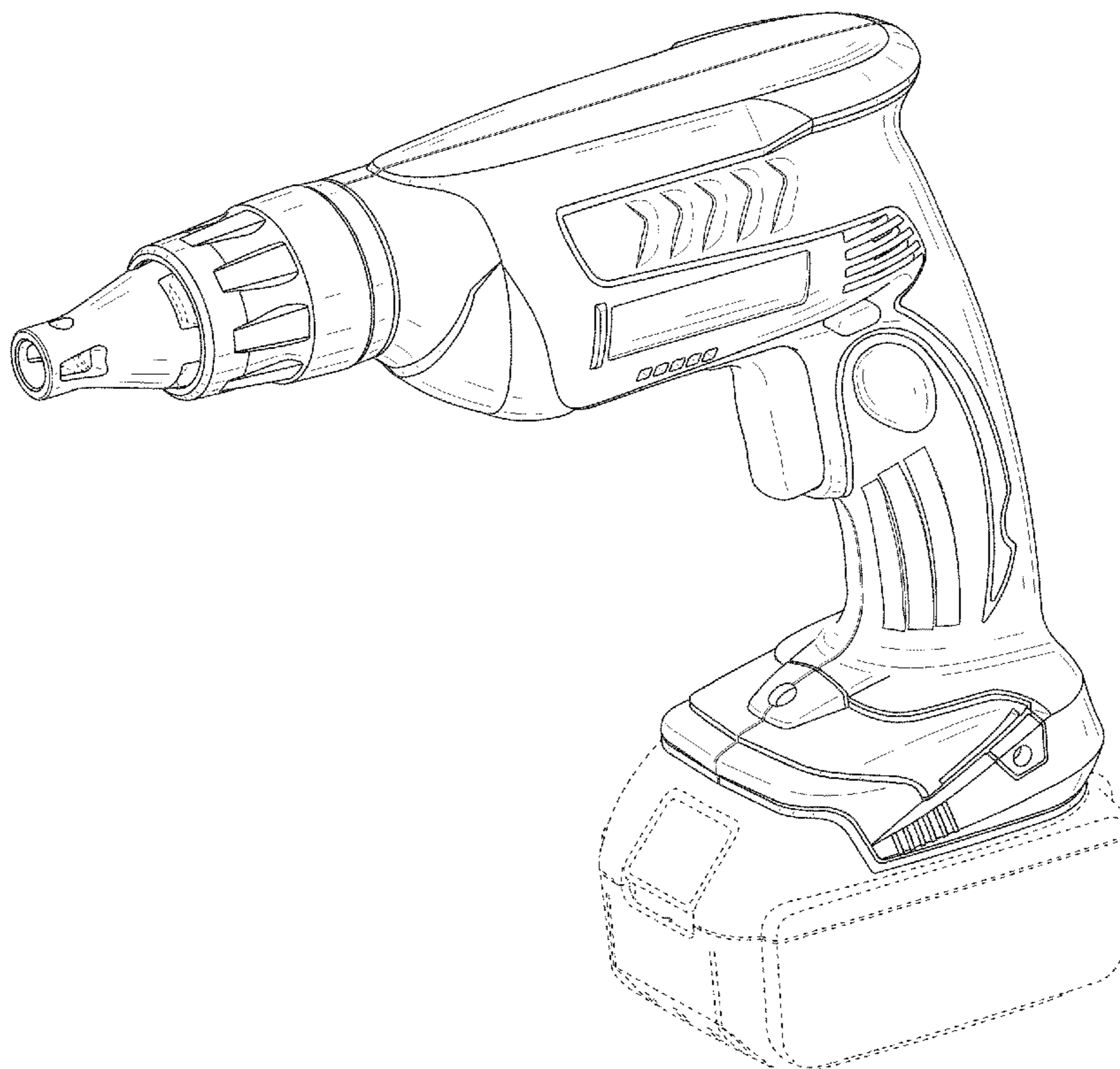
(57) **CLAIM**

The ornamental design for a portable electric screwdriver, as shown and described.

**DESCRIPTION**

FIG. 1 is a perspective view of the front, top and left side of a portable electric screwdriver showing our new design; FIG. 2 is a front view thereof; FIG. 3 is a rear view thereof; FIG. 4 is a top plan view thereof; FIG. 5 is a bottom view thereof; FIG. 6 is a left side view thereof; and, FIG. 7 is a right side view thereof. The portions shown in broken lines are for illustrative purposes only and form no part of the claimed design.

**1 Claim, 5 Drawing Sheets**



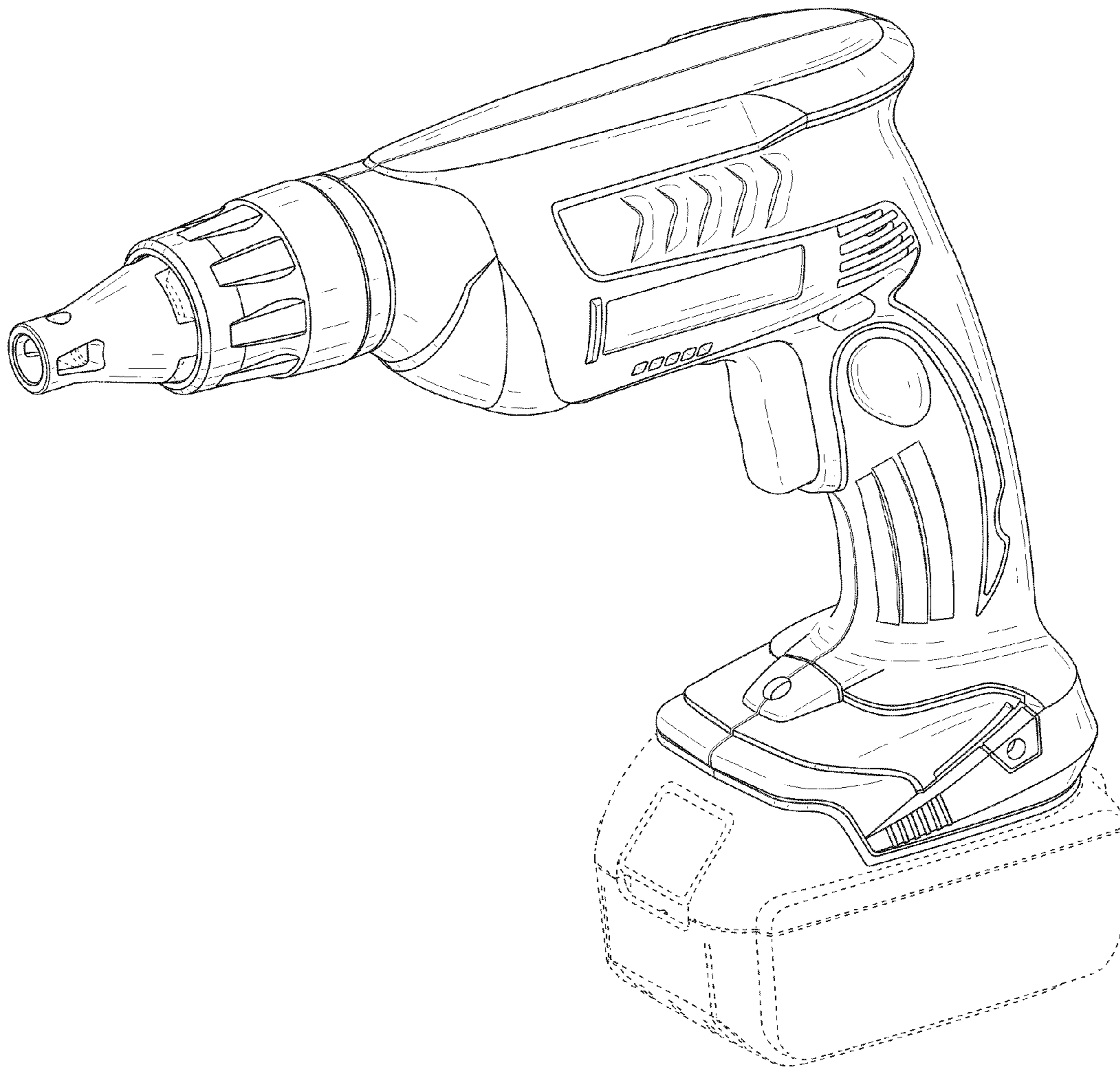


FIG. 1

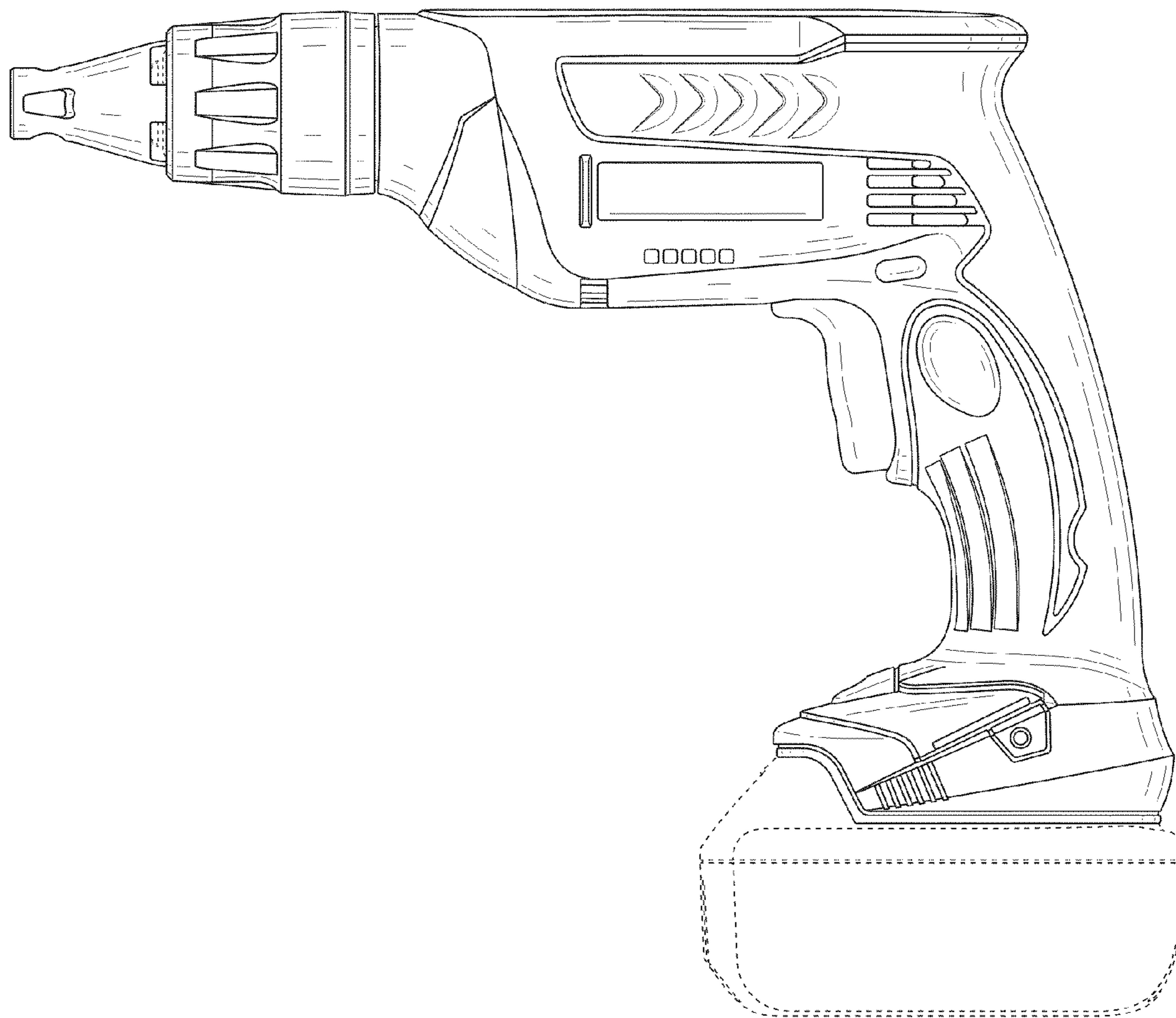


FIG. 2

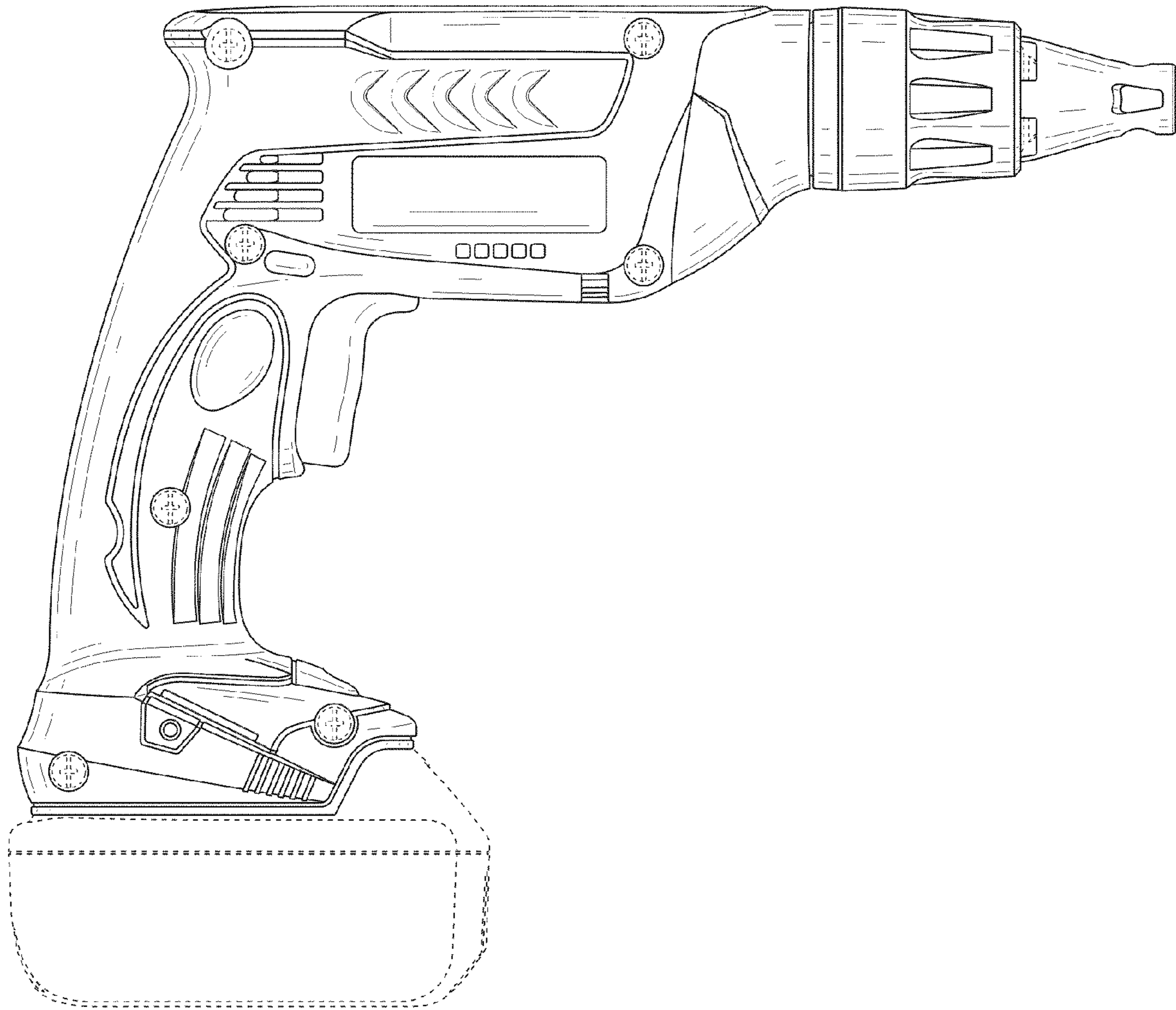


FIG. 3

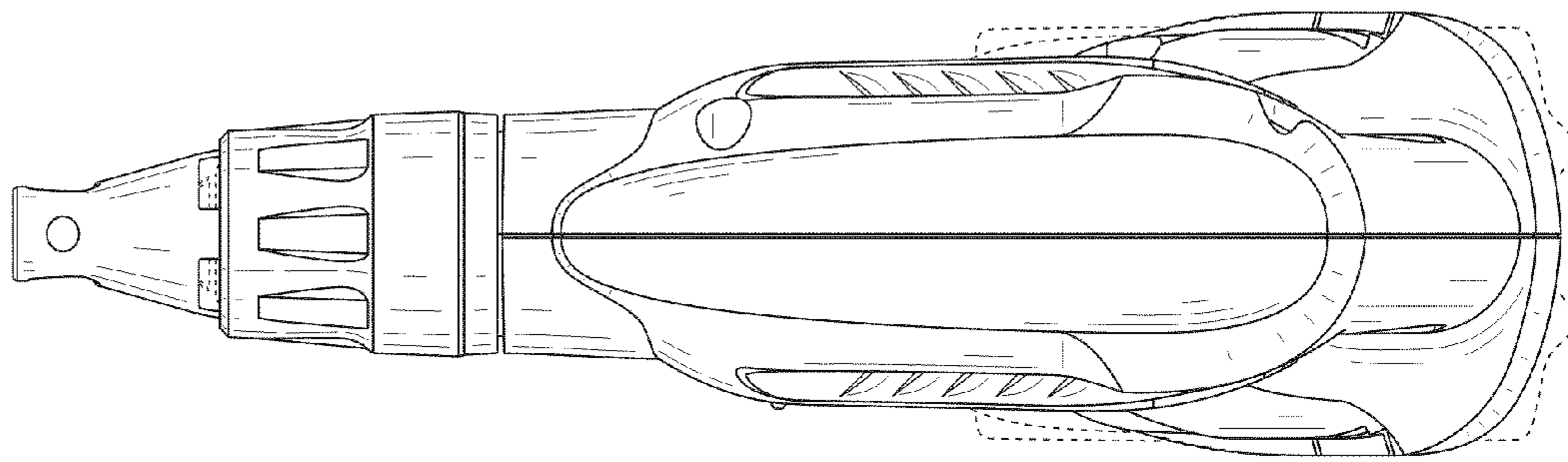


FIG. 4

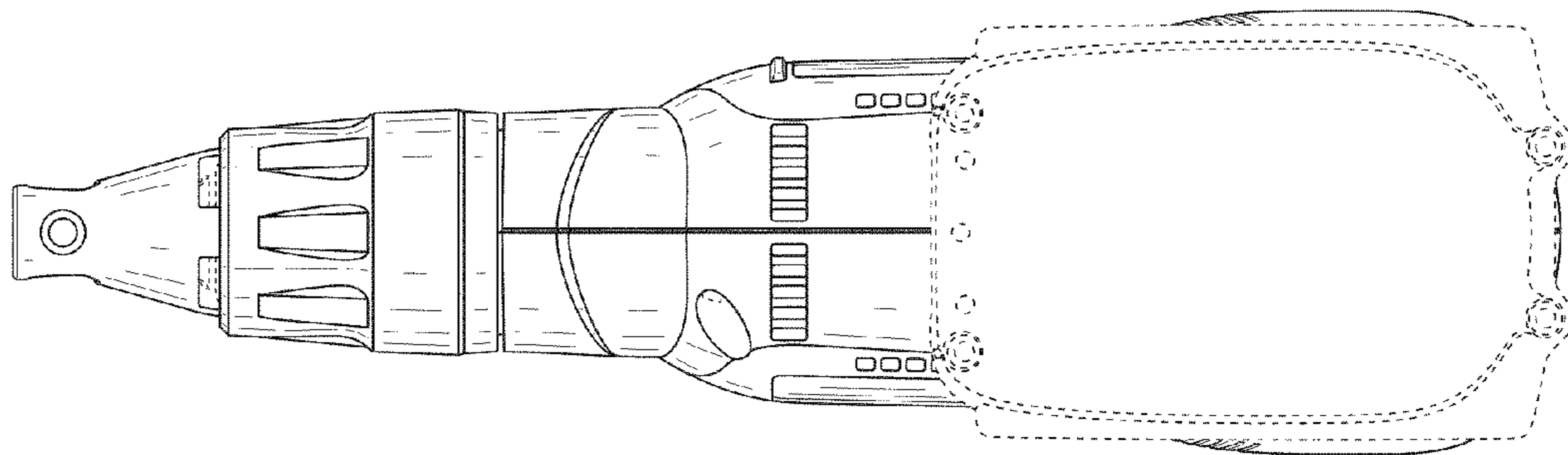
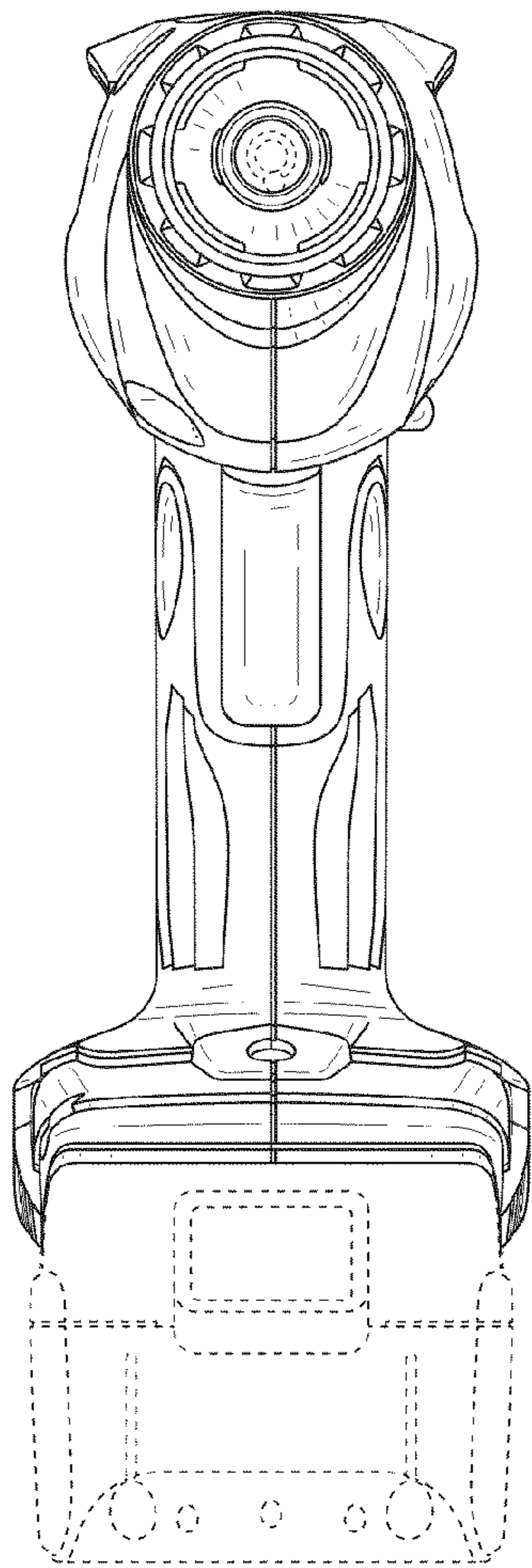
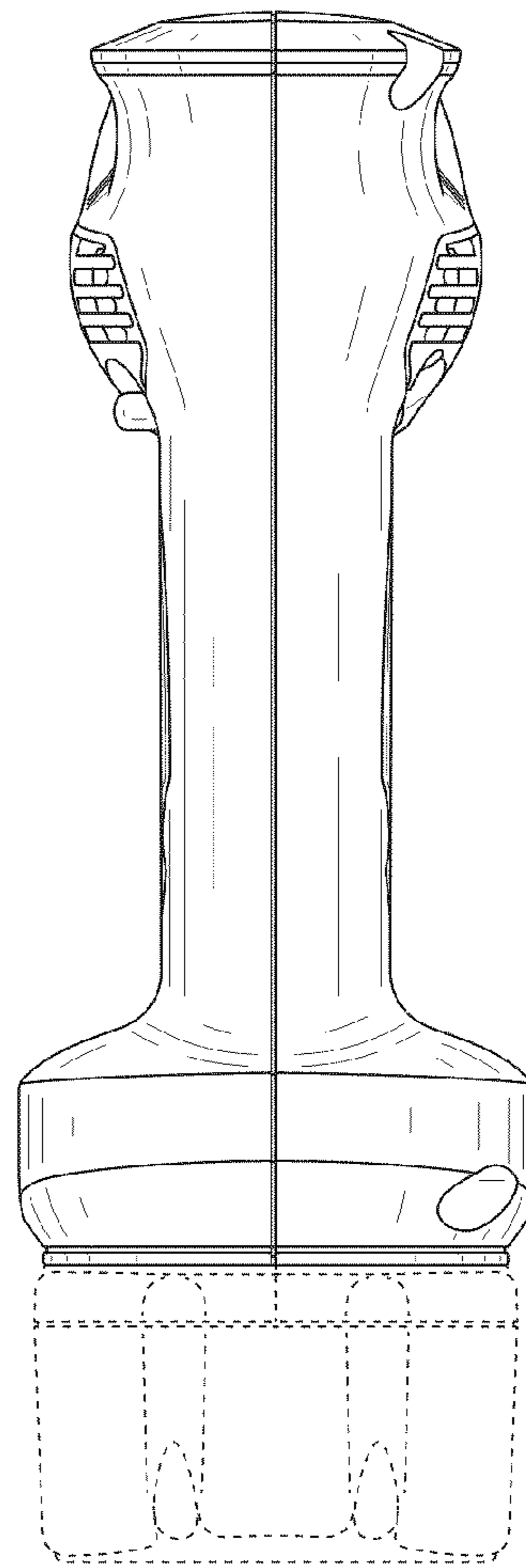


FIG. 5



*FIG. 6*



*FIG. 7*