



US00D647773S

(12) **United States Design Patent**
Sugishita et al.

(10) **Patent No.:** **US D647,773 S**

(45) **Date of Patent:** **** Nov. 1, 2011**

(54) **MAIN BODY OF A PORTABLE CHAIN SAW**

(75) Inventors: **Yuu Sugishita**, Kawagoe (JP); **Shouta Takeshima**, Kawagoe (JP); **Ryouichi Kanosaka**, Kawagoe (JP); **Takashi Nakamura**, Kawagoe (JP)

(73) Assignee: **Husqvarna Zenoah Co., Ltd.**,
Saitama-ken (JP)

(**) Term: **14 Years**

(21) Appl. No.: **29/384,816**

(22) Filed: **Feb. 4, 2011**

(30) **Foreign Application Priority Data**

Aug. 20, 2010 (JP) 2010-020221

(51) **LOC (9) Cl.** **08-03**

(52) **U.S. Cl.** **D8/65**

(58) **Field of Classification Search** D8/65,
D8/7, 8, 9, 70, 66, 67, 62, 63, 64, 61, 91;
30/386, 383, 382, 371, 123, 381; 125/21;
D21/532; 83/832, 833, 834; 123/185.3

See application file for complete search history.

(56) **References Cited**

U.S. PATENT DOCUMENTS

| | | | | |
|-----------|-----|---------|----------------|--------|
| 5,006,740 | A | 4/1991 | Palm | |
| D326,987 | S | 6/1992 | Lilja et al. | |
| D327,832 | S | 7/1992 | Lilja et al. | |
| 5,168,837 | A | 12/1992 | Scholz | |
| 5,287,832 | A | 2/1994 | Uhl | |
| D364,326 | S * | 11/1995 | Lohse et al. | D8/65 |
| D377,441 | S * | 1/1997 | Hoppner et al. | D8/65 |
| 5,984,054 | A | 11/1999 | Martinsson | |
| 5,992,025 | A * | 11/1999 | Fricke | 30/381 |
| 6,152,089 | A | 11/2000 | Neumann et al. | |
| 6,578,543 | B2 | 6/2003 | Radel | |
| 7,096,859 | B2 | 8/2006 | Hamisch et al. | |

| | | | | |
|-----------|-----|---------|------------------|-------|
| 7,162,988 | B1 | 1/2007 | Liao | |
| D549,537 | S * | 8/2007 | Harada et al. | D8/65 |
| 7,311,067 | B2 | 12/2007 | Riehmman | |
| D563,747 | S * | 3/2008 | Tinius | D8/65 |
| 7,367,409 | B2 | 5/2008 | Stones | |
| D573,860 | S * | 7/2008 | Shimokawa et al. | D8/65 |
| D576,005 | S * | 9/2008 | Shimokawa et al. | D8/65 |
| D577,557 | S * | 9/2008 | Shimokawa et al. | D8/65 |
| D580,724 | S * | 11/2008 | Tinius | D8/65 |
| D606,829 | S * | 12/2009 | Tinius | D8/65 |
| D607,292 | S * | 1/2010 | Tinius | D8/65 |
| D607,293 | S * | 1/2010 | Tinius | D8/65 |
| 7,699,902 | B2 | 4/2010 | Ohsawa et al. | |
| D615,836 | S * | 5/2010 | Kosugi et al. | D8/65 |
| D633,353 | S * | 3/2011 | Tinius | D8/65 |
| D633,766 | S * | 3/2011 | Tinius | D8/65 |
| 7,900,661 | B2 | 3/2011 | Thorson et al. | |
| 7,905,261 | B2 | 3/2011 | Hamisch et al. | |
| D636,652 | S * | 4/2011 | Mehra | D8/65 |

* cited by examiner

Primary Examiner — Austin Murphy

(74) *Attorney, Agent, or Firm* — Fish & Richardson P.C.

(57) **CLAIM**

The ornamental design for a main body of a portable chain saw, as shown.

DESCRIPTION

FIG. 1 is a front perspective view of a main body of a portable chain saw showing our new design; FIG. 2 is a rear perspective view thereof; FIG. 3 is a front view thereof; FIG. 4 is a rear view thereof; FIG. 5 is a top plan view thereof; FIG. 6 is a bottom plan view thereof; FIG. 7 is a right side view thereof; and, FIG. 8 is a left side view thereof. Portions of the main body of a portable chain saw shown in broken lines form no part of the claimed design.

1 Claim, 8 Drawing Sheets

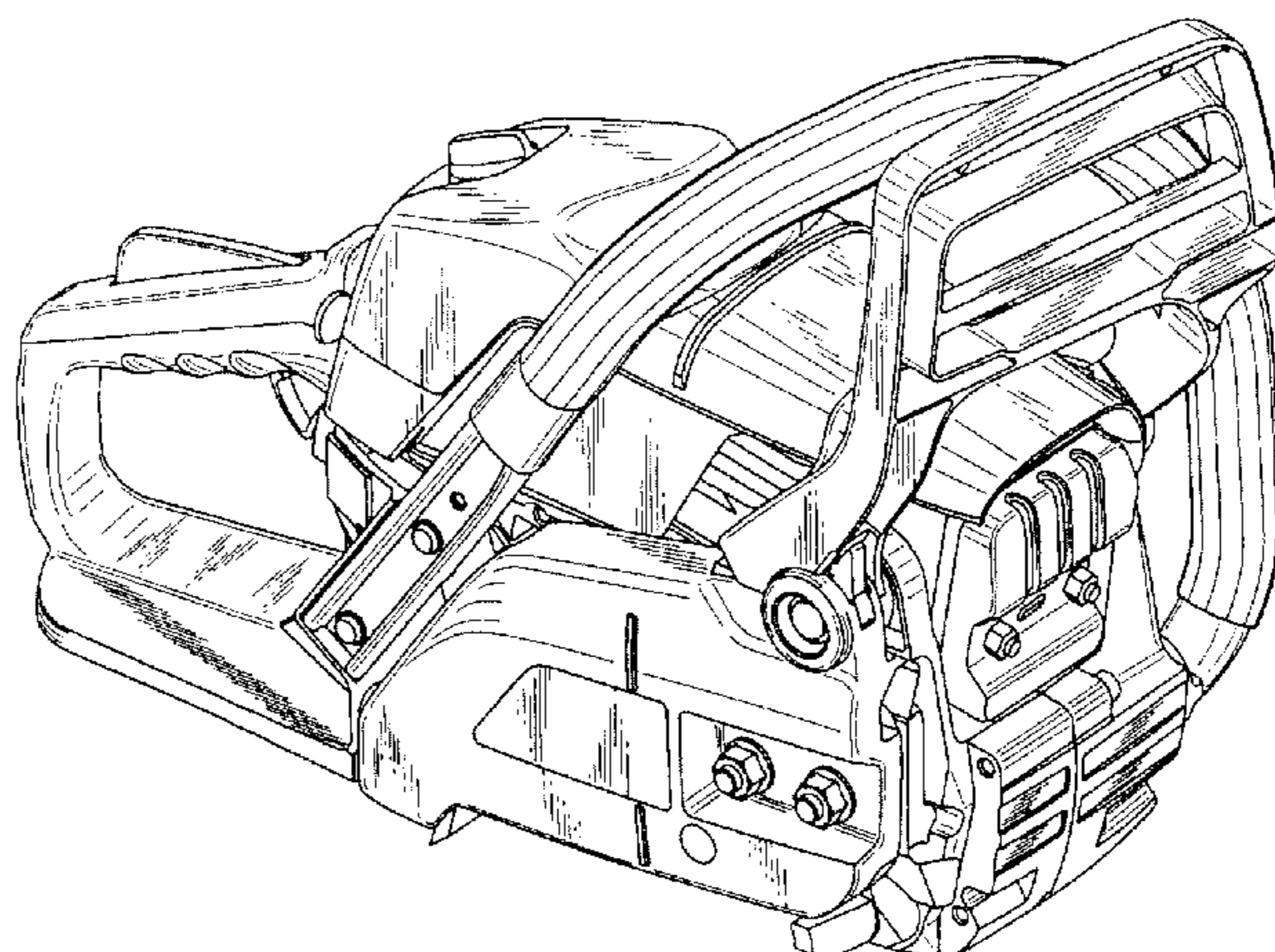
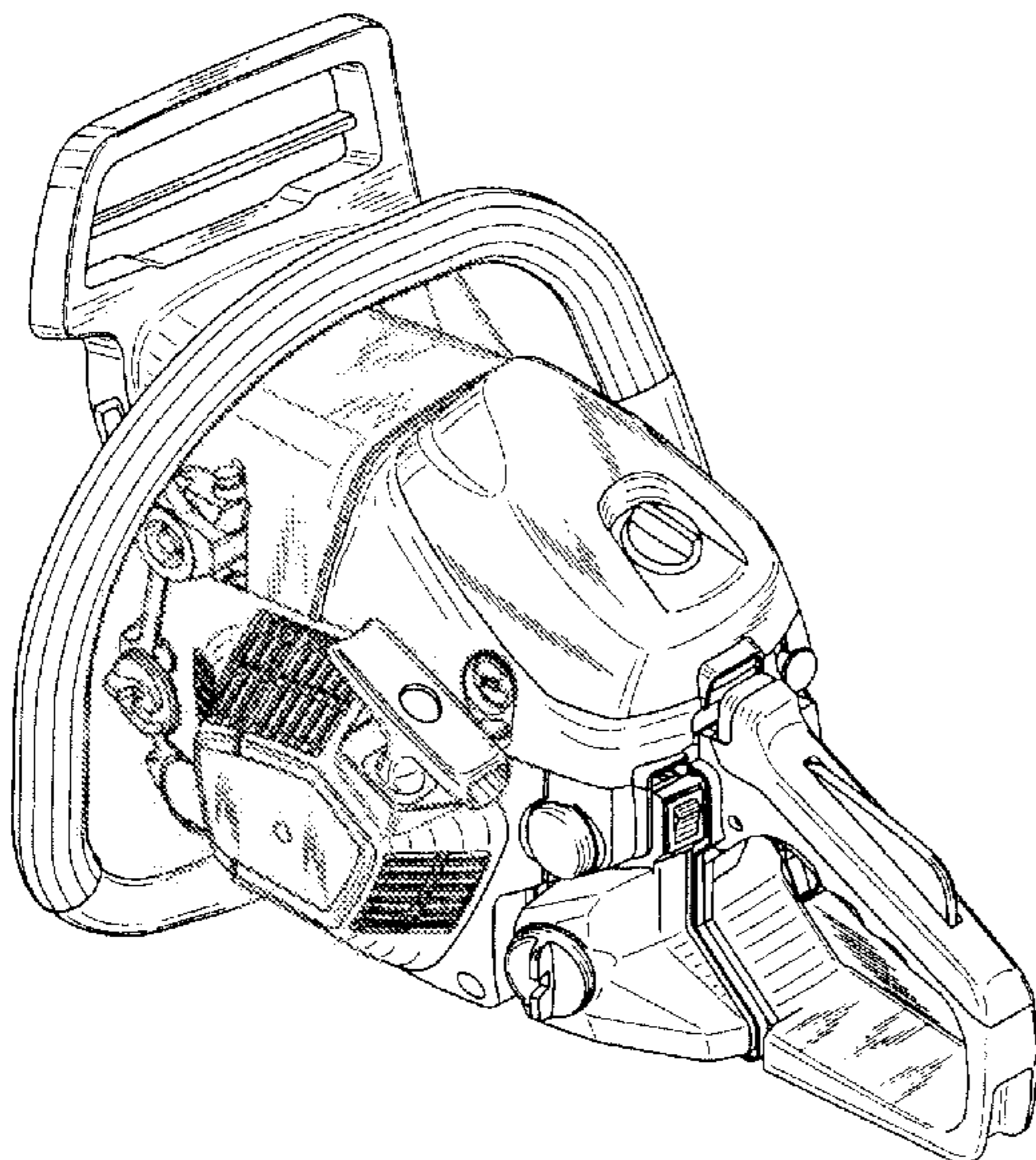


FIG. 1

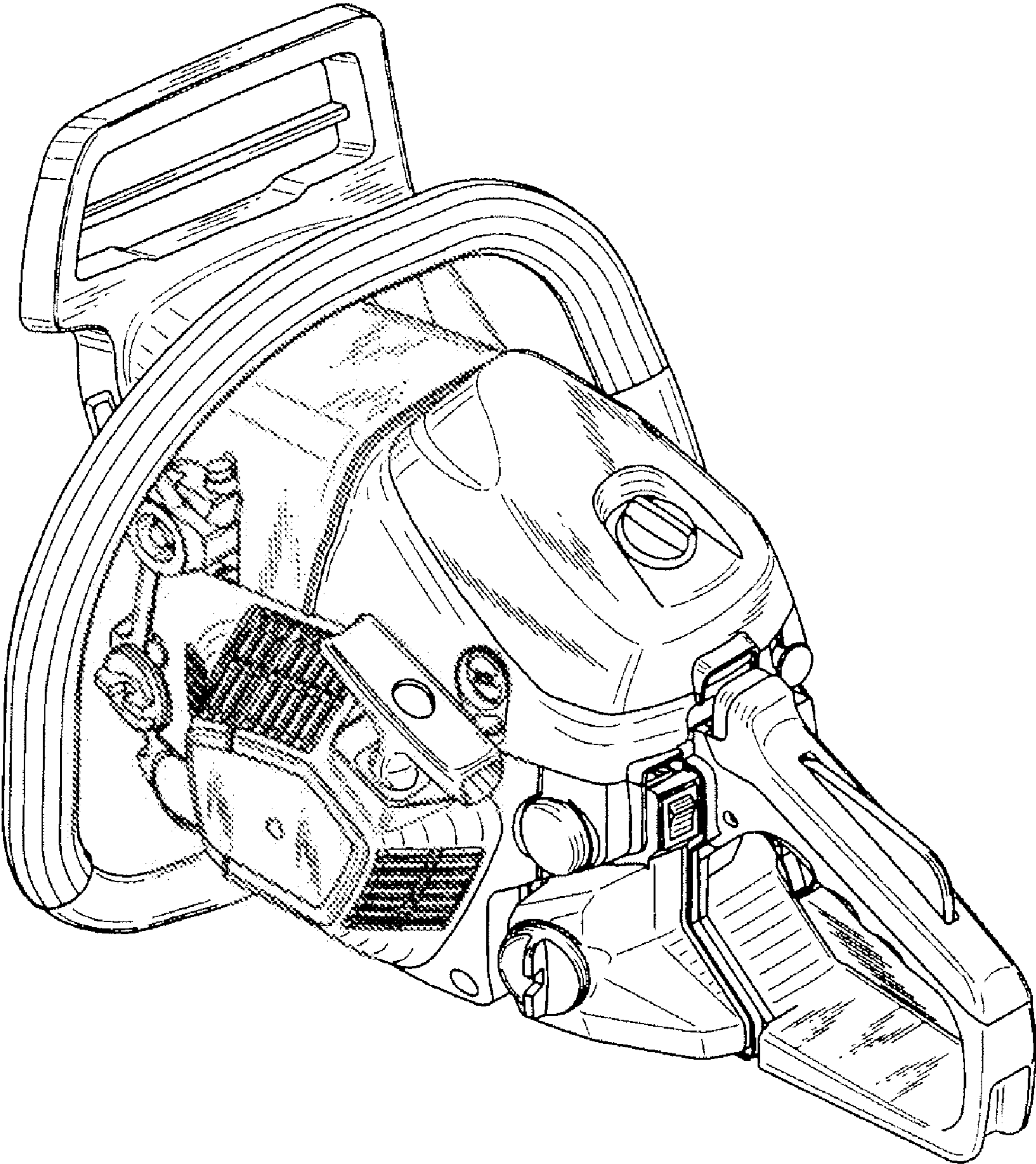


FIG. 2

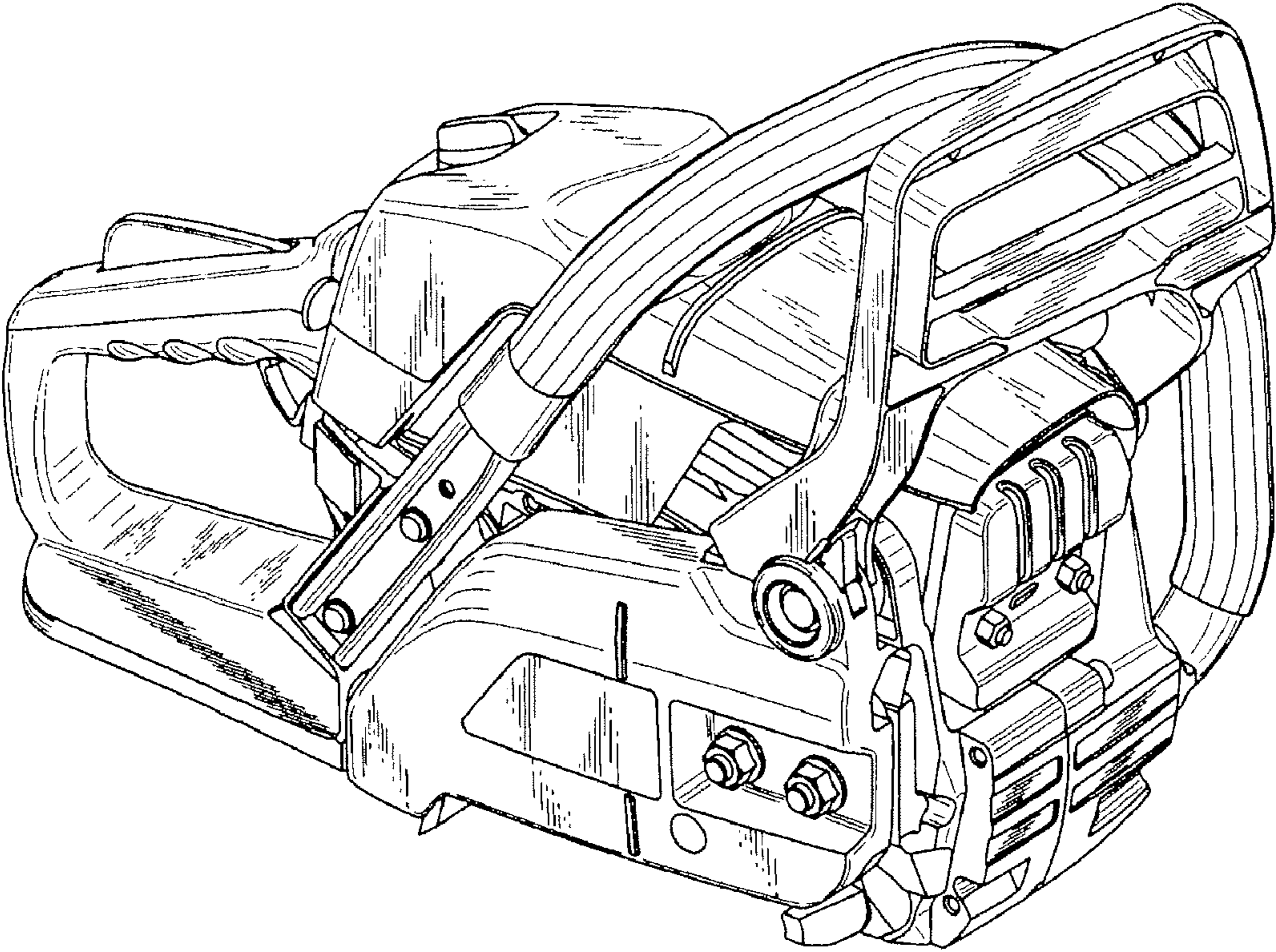


FIG. 3

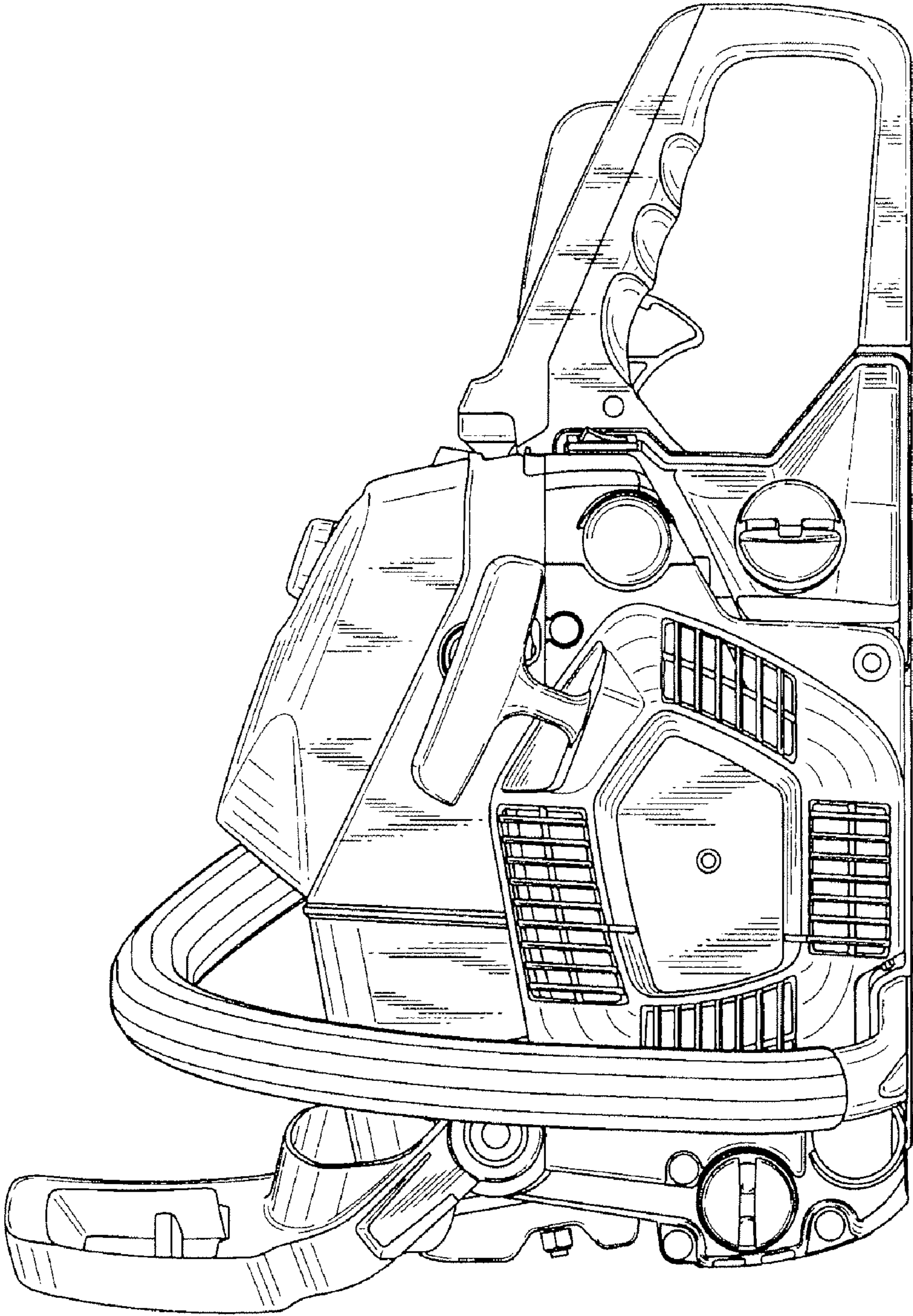


FIG. 4

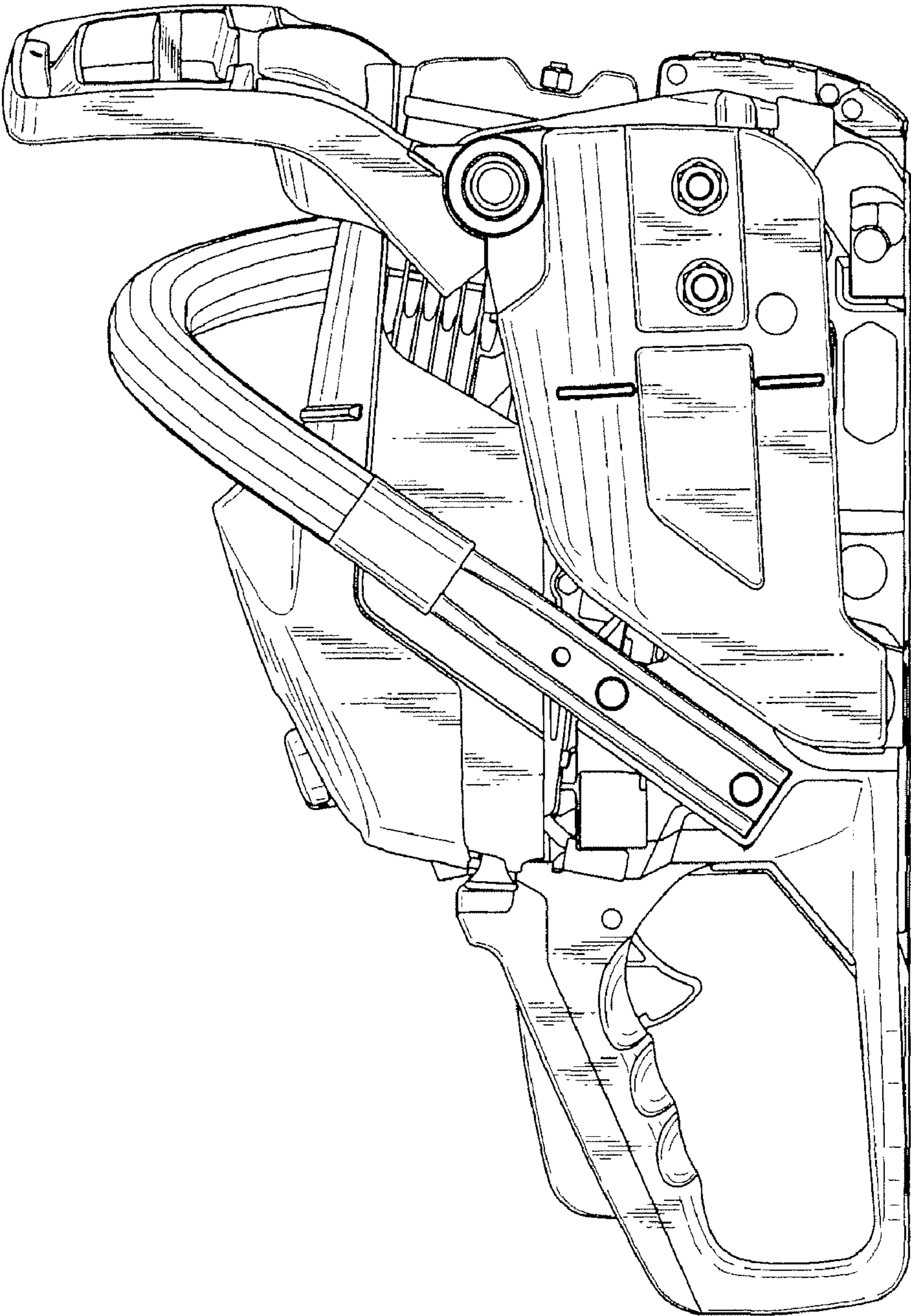


FIG. 5

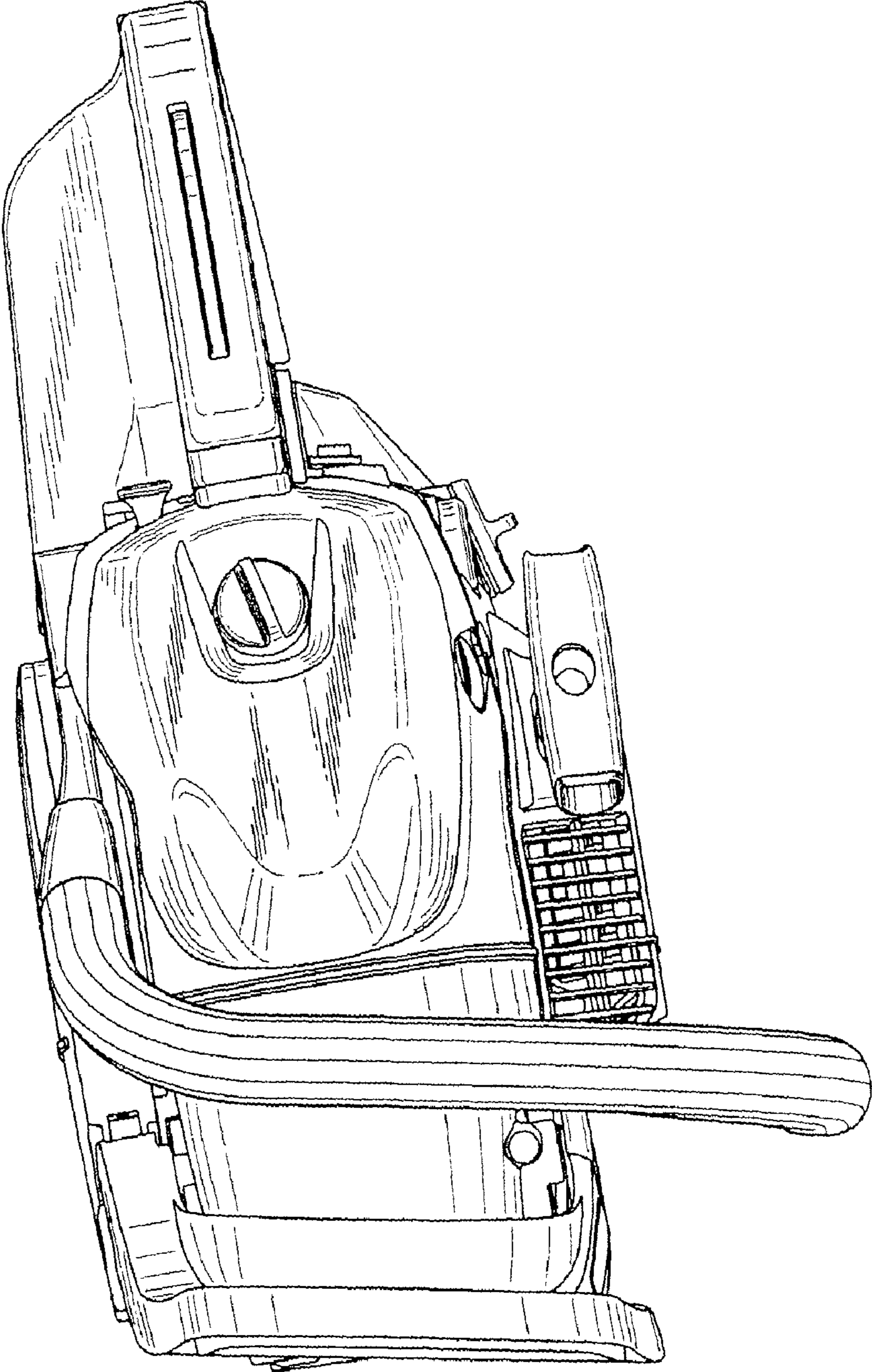


FIG. 6

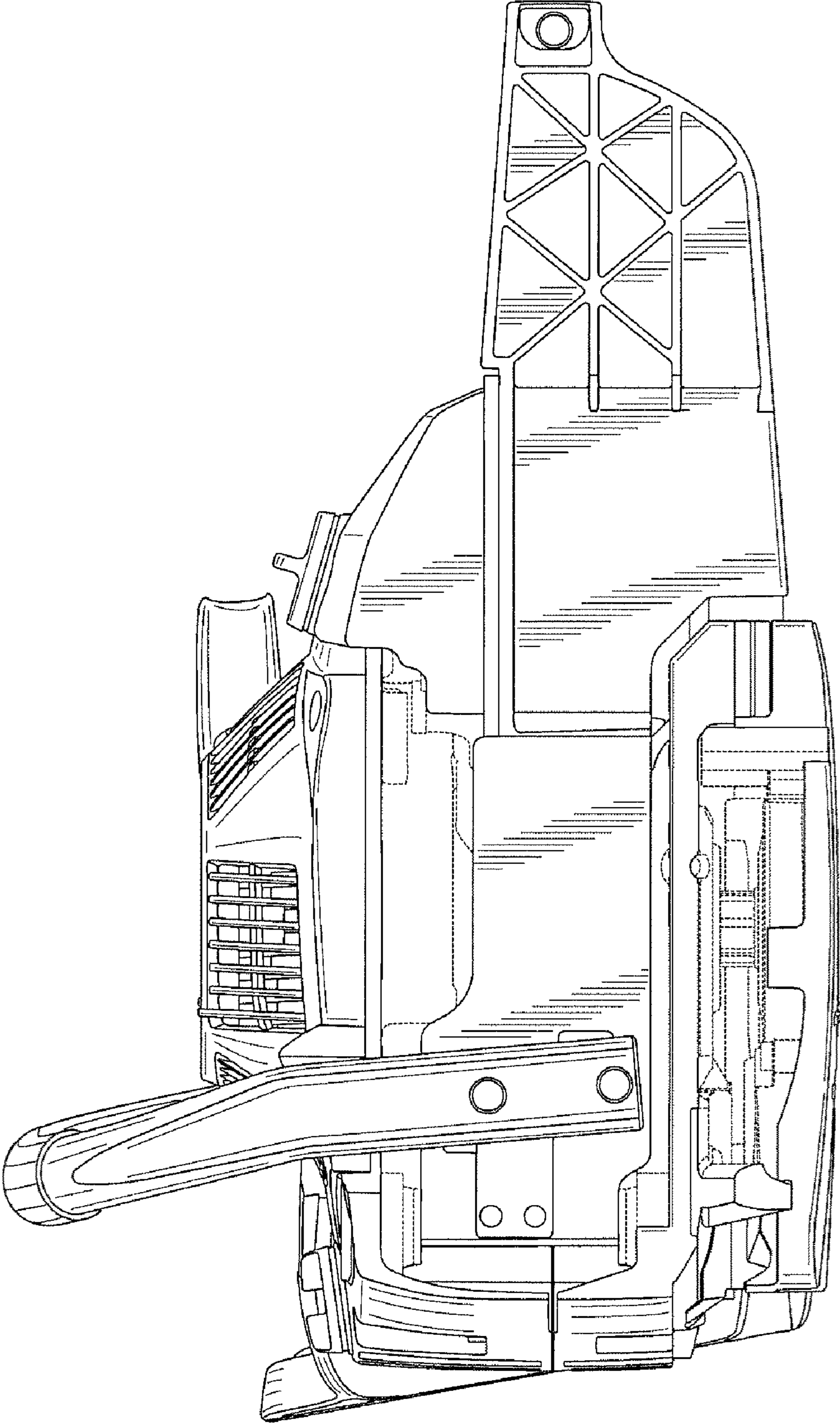


FIG. 7

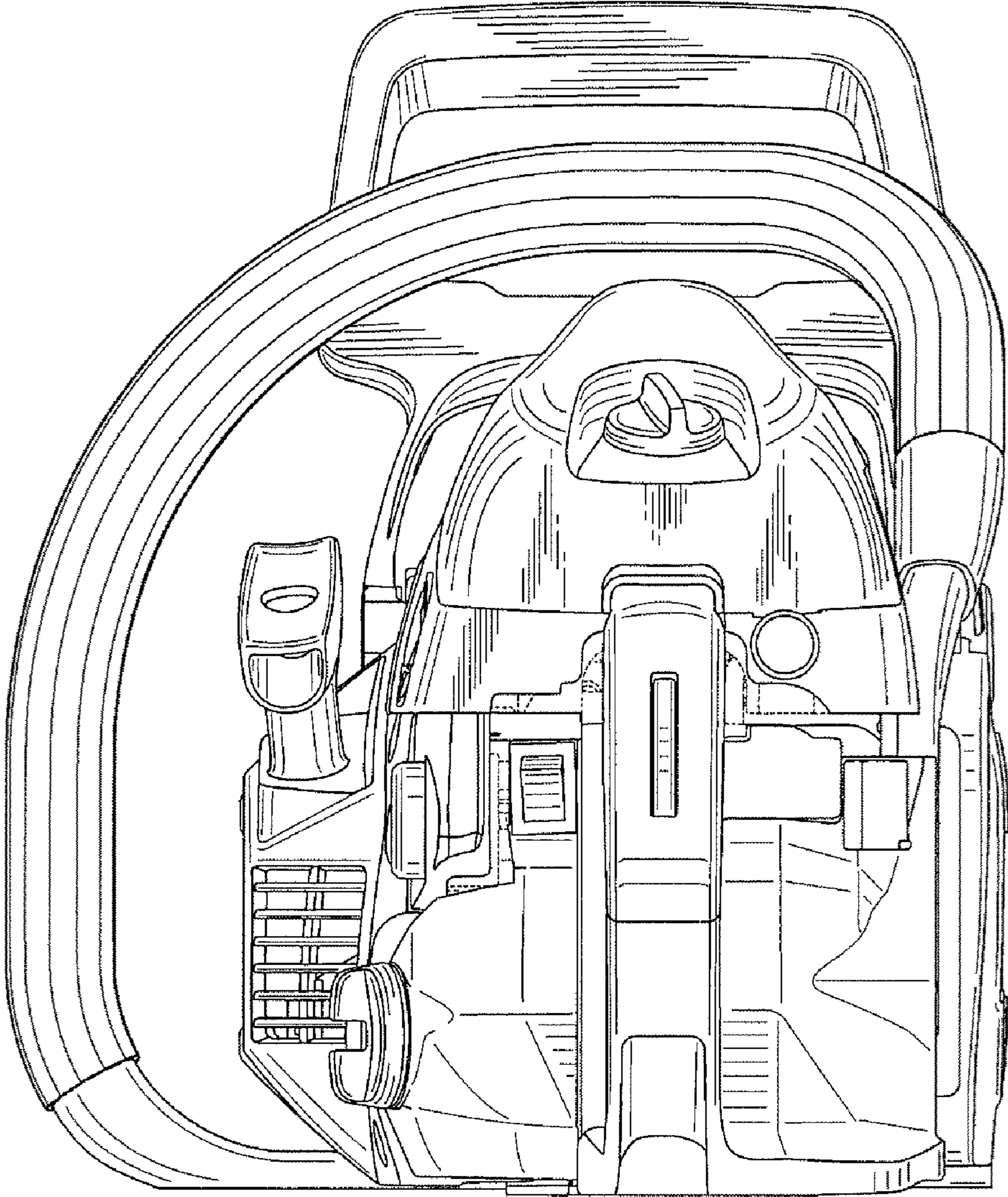


FIG. 8

