



US00D647770S

(12) **United States Design Patent**
Watson et al.

(10) **Patent No.:** **US D647,770 S**

(45) **Date of Patent:** **** Nov. 1, 2011**

(54) **CAM TOOL**

(75) Inventors: **Brian John Watson**, London (GB);
Anthony Arthur Wills, London (GB);
Philip Mark Hall, London (GB)

(73) Assignee: **Vertex Stone and Chinaware Ltd.**,
Hong Kong (CN)

(**) Term: **14 Years**

(21) Appl. No.: **29/356,442**

(22) Filed: **Feb. 25, 2010**

(51) **LOC (9) Cl.** **08-05**

(52) **U.S. Cl.** **D8/51**

(58) **Field of Classification Search** D8/14,
D8/44, 51, 88-89, 394, 499; 52/127.2, 745.12;
254/16-17

See application file for complete search history.

(56) **References Cited**

U.S. PATENT DOCUMENTS

D147,888	S	*	11/1947	Camerino	D23/418
2,537,286	A	*	1/1951	Stovall	451/471
2,552,519	A	*	5/1951	Clair	254/17
2,589,404	A	*	3/1952	Lab	254/16
D240,005	S	*	5/1976	Humphreys	D8/32
D251,566	S	*	4/1979	Moen	D15/142
4,290,582	A	*	9/1981	Eckelkamp	254/15
4,304,388	A	*	12/1981	Gates	249/219.2

D382,471	S	*	8/1997	Neff	D8/394
6,086,048	A	*	7/2000	Owen	254/17
D469,680	S	*	2/2003	Laabs et al.	D8/343
6,962,179	B1	*	11/2005	Brodersen	144/270
7,861,760	B2	*	1/2011	Ochoa	157/1.45
2005/0257448	A1	*	11/2005	Batty	52/127.2
2008/0040988	A1	*	2/2008	Holt	52/127.2

* cited by examiner

Primary Examiner — Philip S Hyder

Assistant Examiner — Roselynn Ulm Cody

(74) *Attorney, Agent, or Firm* — Rodman & Rodman

(57) **CLAIM**

The ornamental design for a cam tool, as shown and described.

DESCRIPTION

FIG. 1 is a top perspective view of a cam tool incorporating our new design;

FIG. 2 is an end view thereof, from the left end of FIG. 1;

FIG. 3 is a top plan view thereof;

FIG. 4 is a bottom plan view thereof;

FIG. 5 is an end view thereof from the right end of FIG. 1;

FIG. 6 is a side elevation thereof, from the front side of FIG. 1;

FIG. 7 is a side elevation thereof, from the rear side of FIG. 1;

FIG. 8 is a top perspective view of the cam tool with the cam control handle in a different position from the FIG. 1 position; and,

FIG. 9 is a bottom view of FIG. 8.

1 Claim, 5 Drawing Sheets

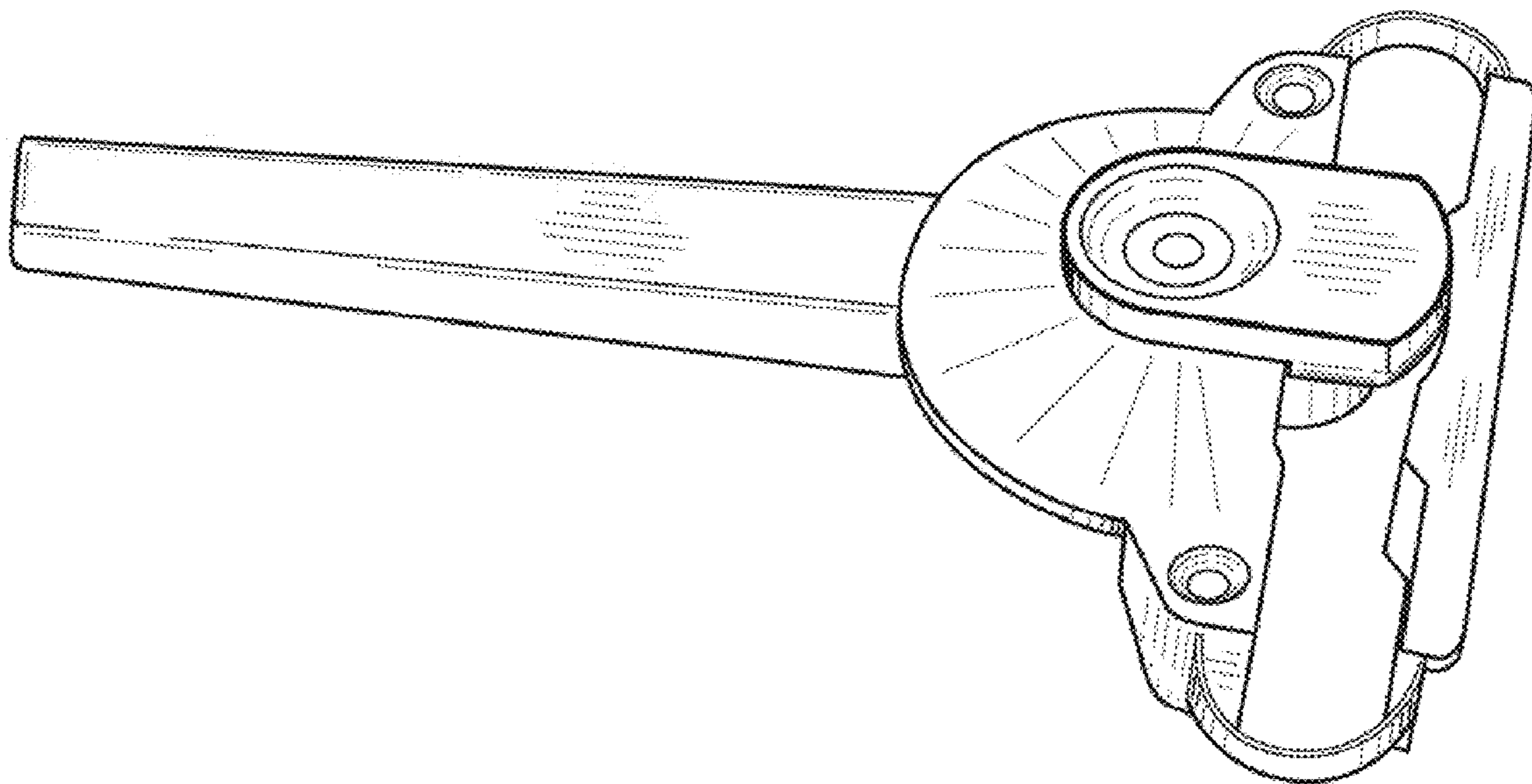


FIG. 1

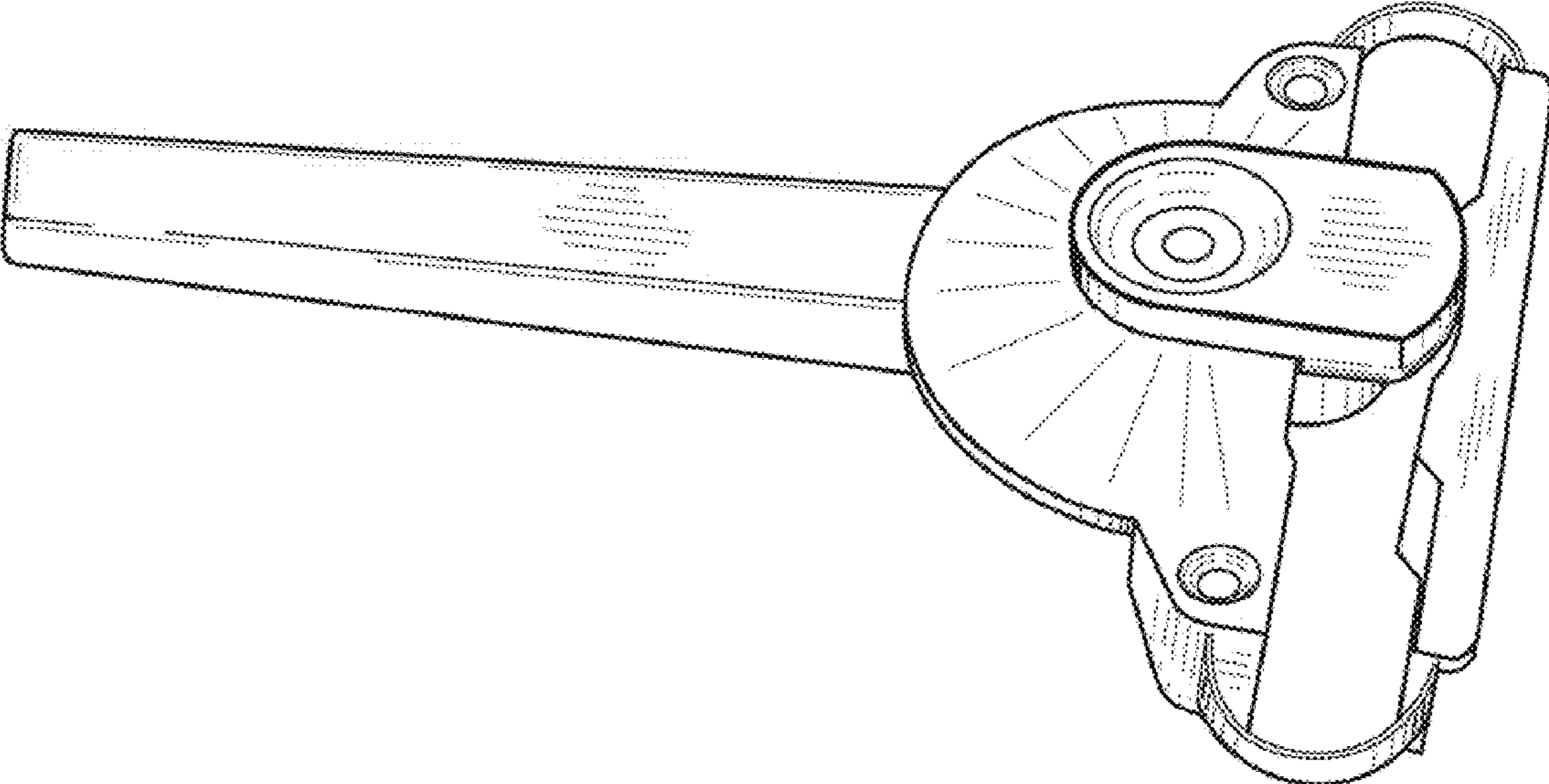


FIG. 2

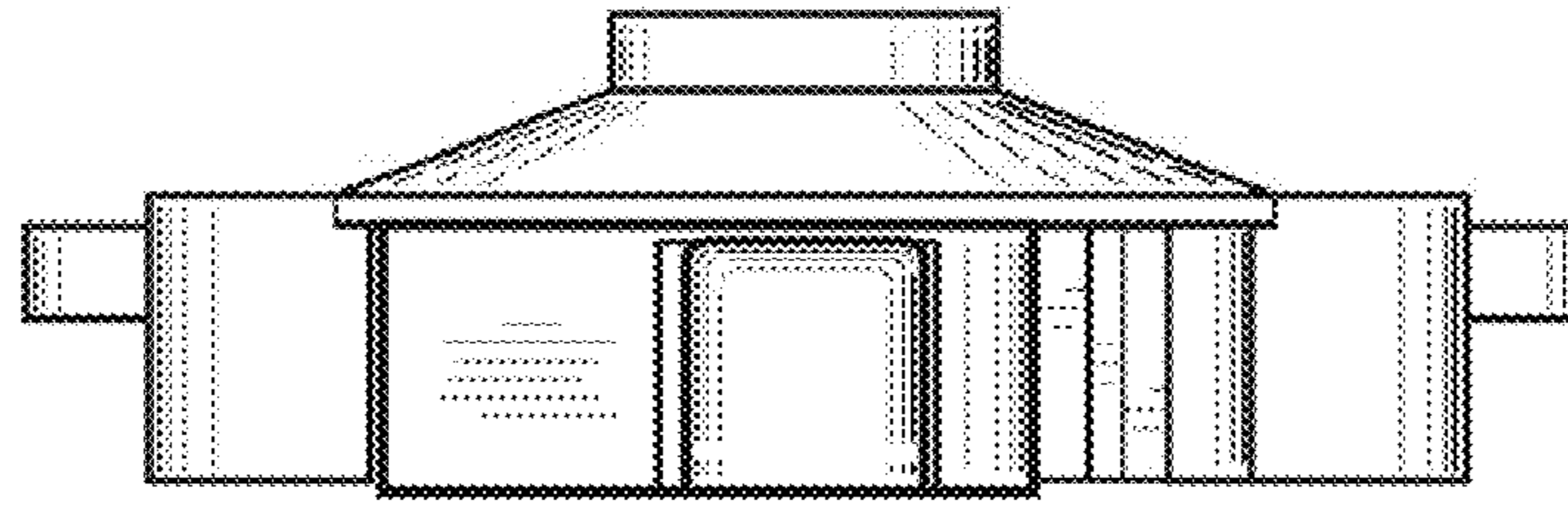


FIG. 3

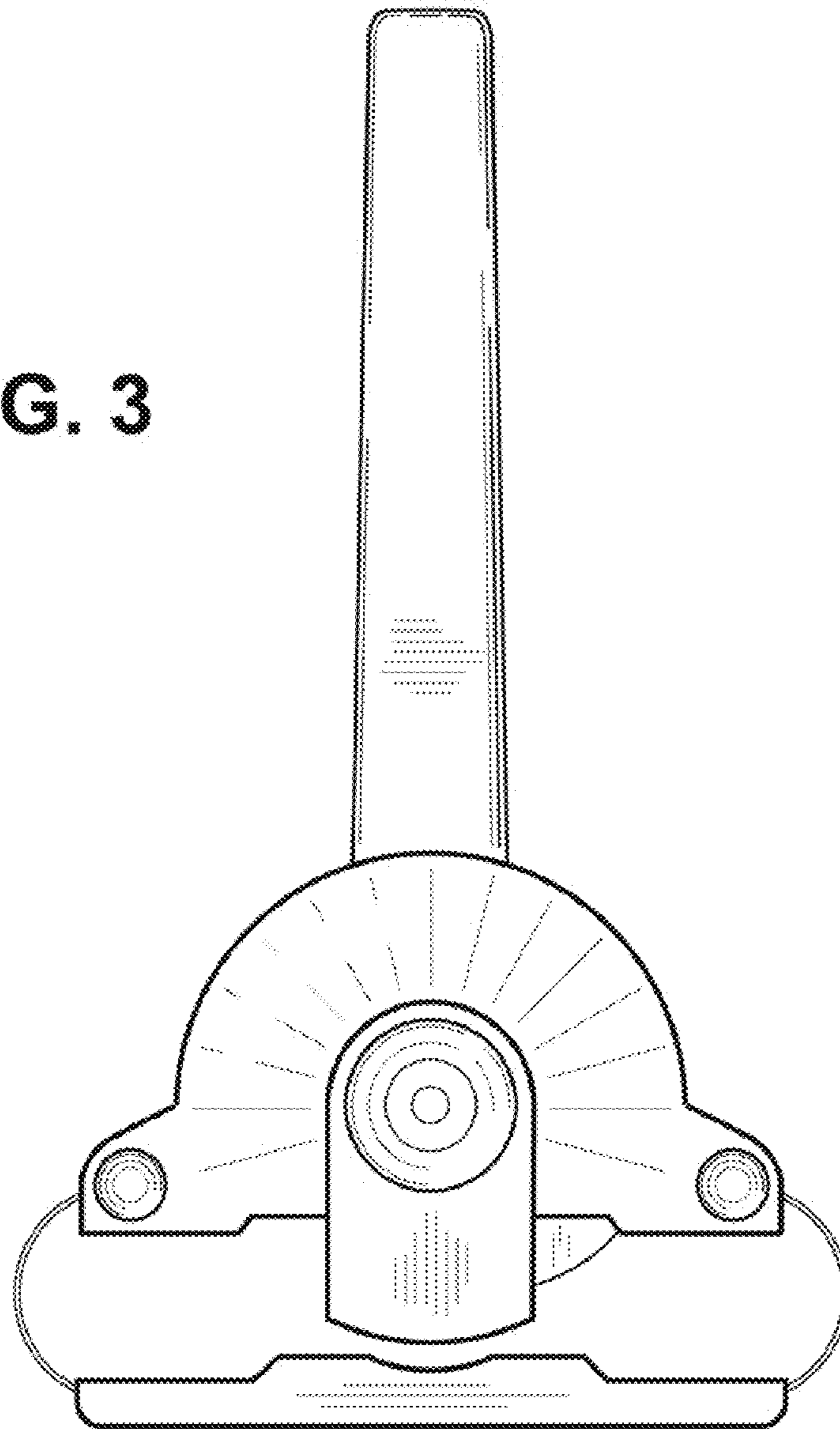


FIG. 4

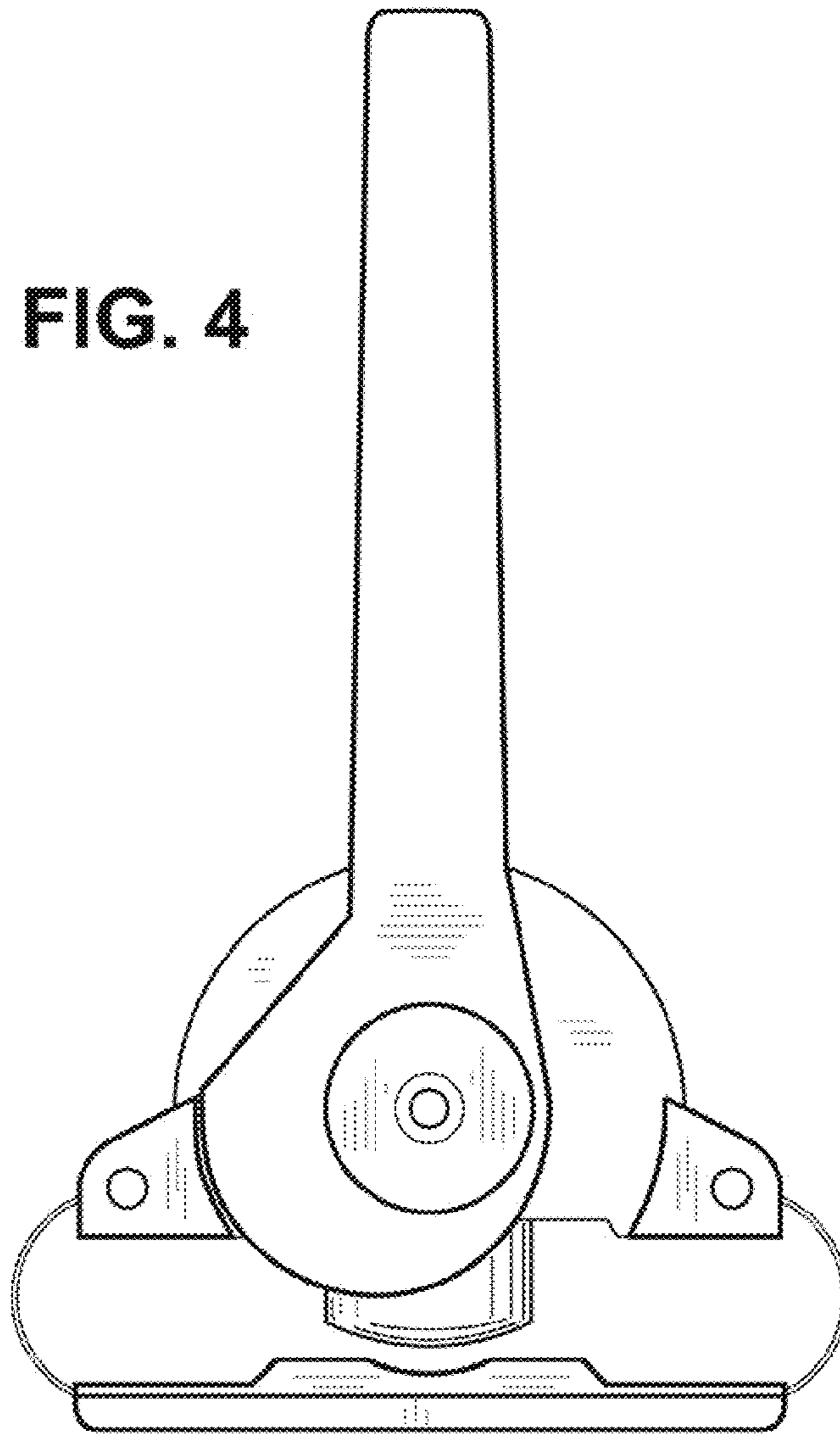


FIG. 5

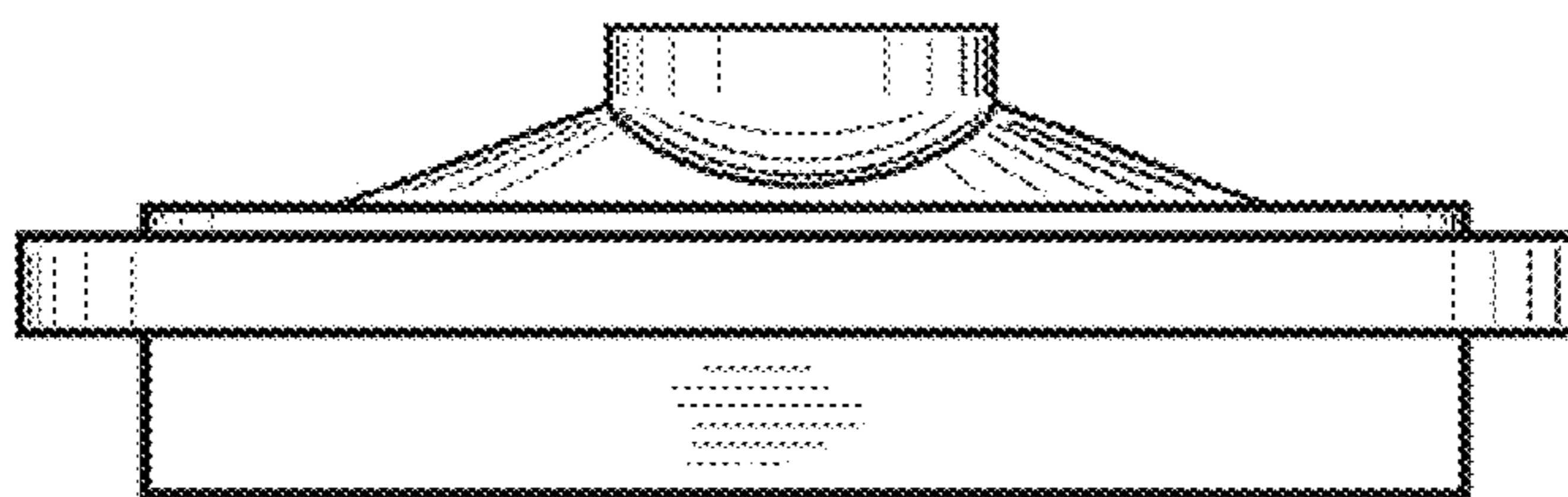


FIG. 6

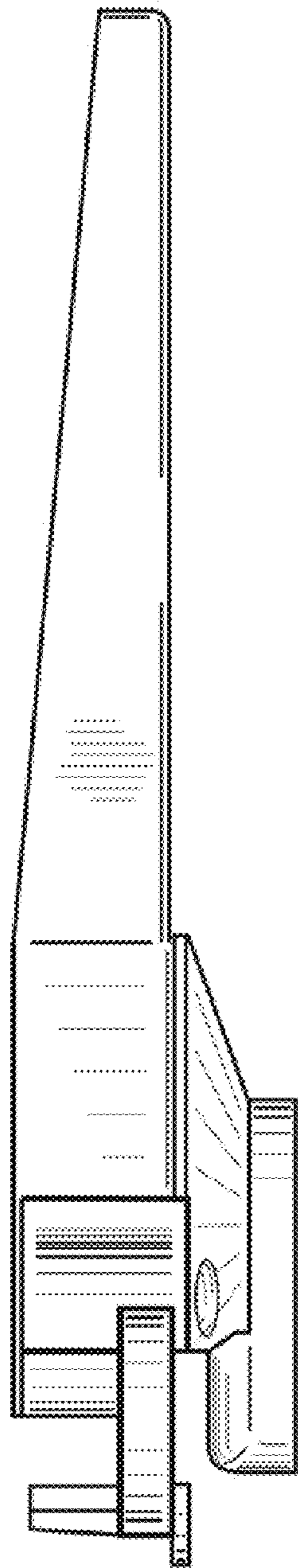


FIG. 7

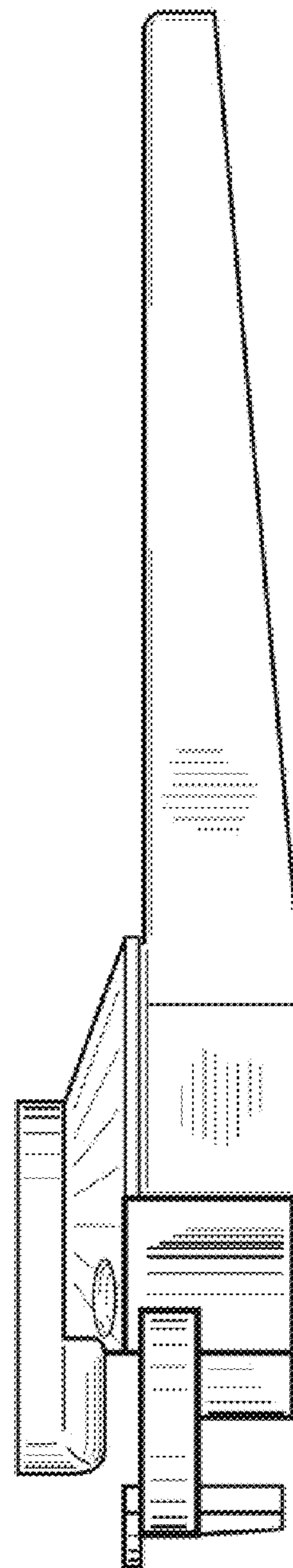


FIG. 8

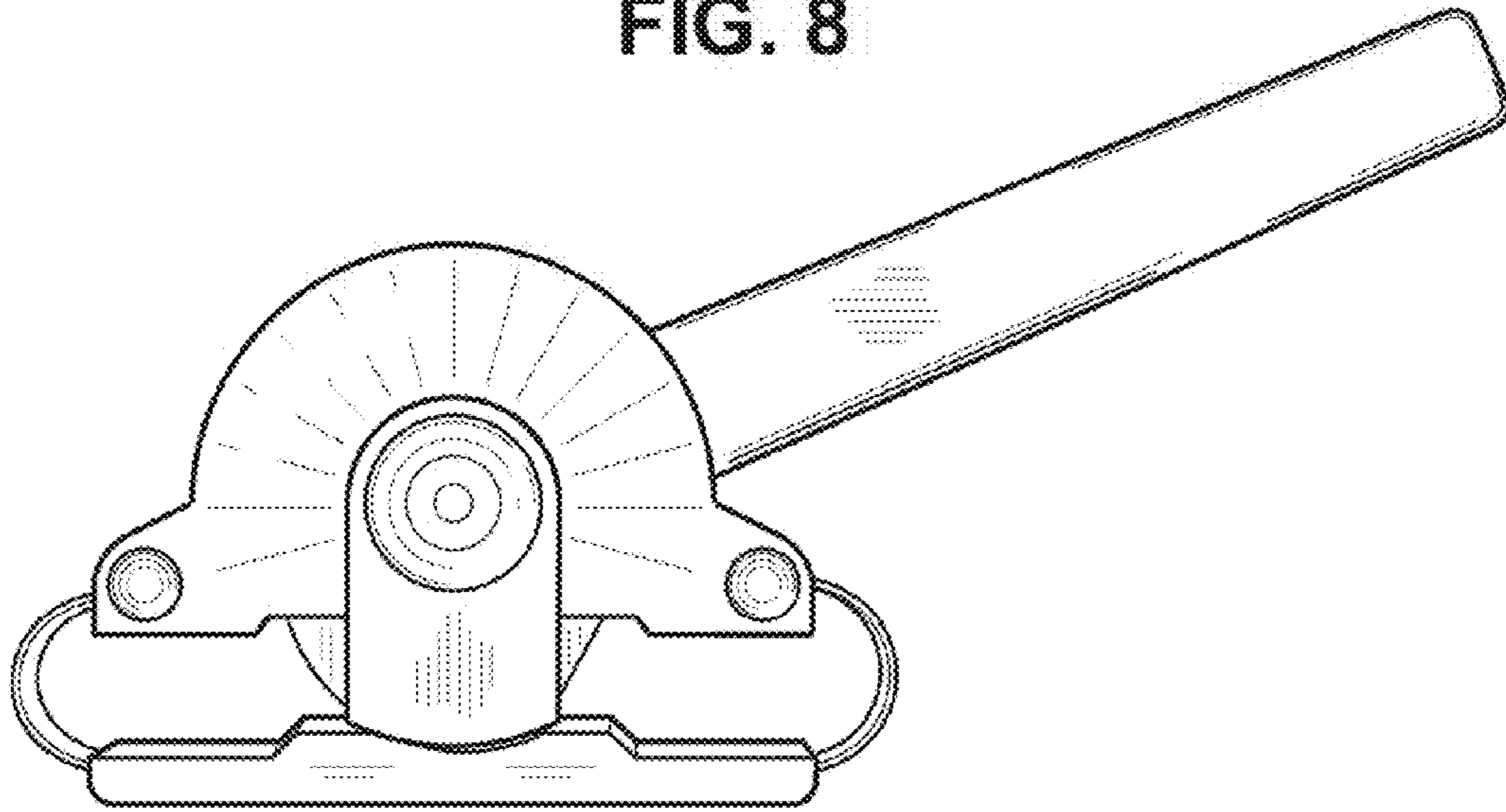


FIG. 9

