



US00D647768S

(12) **United States Design Patent**
Sansone

(10) **Patent No.:** **US D647,768 S**

(45) **Date of Patent:** **** Nov. 1, 2011**

(54) **CORRUGATED SEED DISPENSER**

(75) Inventor: **Anthony Sansone**, Greenwood, IN (US)

(73) Assignee: **Stephen Gould Corporation**,
Whippany, NJ (US)

(**) Term: **14 Years**

(21) Appl. No.: **29/363,041**

(22) Filed: **Jun. 3, 2010**

(51) **LOC (9) Cl.** **08-01**

(52) **U.S. Cl.** **D8/2**

(58) **Field of Classification Search** D8/1, 2;
119/57.8, 57.9; 111/170; 221/266

See application file for complete search history.

(56) **References Cited**

U.S. PATENT DOCUMENTS

4,947,797	A *	8/1990	Lawrence, Jr.	119/52.2
4,974,546	A *	12/1990	Burgett	119/469
D333,198	S *	2/1993	Mann	D34/1
D333,951	S *	3/1993	Courtney et al.	D8/2
5,205,239	A *	4/1993	Stolwein	119/52.3
6,488,174	B1 *	12/2002	Cho	221/7
6,808,092	B2	10/2004	Timbrook	
D525,092	S *	7/2006	Ariaz et al.	D8/2
D553,455	S *	10/2007	Shepardson	D8/1
D555,441	S *	11/2007	Shepardson	D8/1
7,841,297	B2 *	11/2010	Zigan et al.	119/52.3

* cited by examiner

Primary Examiner — Holly Baynham

Assistant Examiner — Sheryl Lane

(74) *Attorney, Agent, or Firm* — Drinker Biddle & Reath
LLP

(57) **CLAIM**

The ornamental design for a corrugated seed dispenser, as shown and described.

DESCRIPTION

FIG. 1 is an isometric view of a corrugated seed dispenser according to my new design.

FIG. 2 is a top view of the corrugated seed dispenser of FIG. 1.

FIG. 3 is a bottom view of the corrugated seed dispenser of FIG. 1.

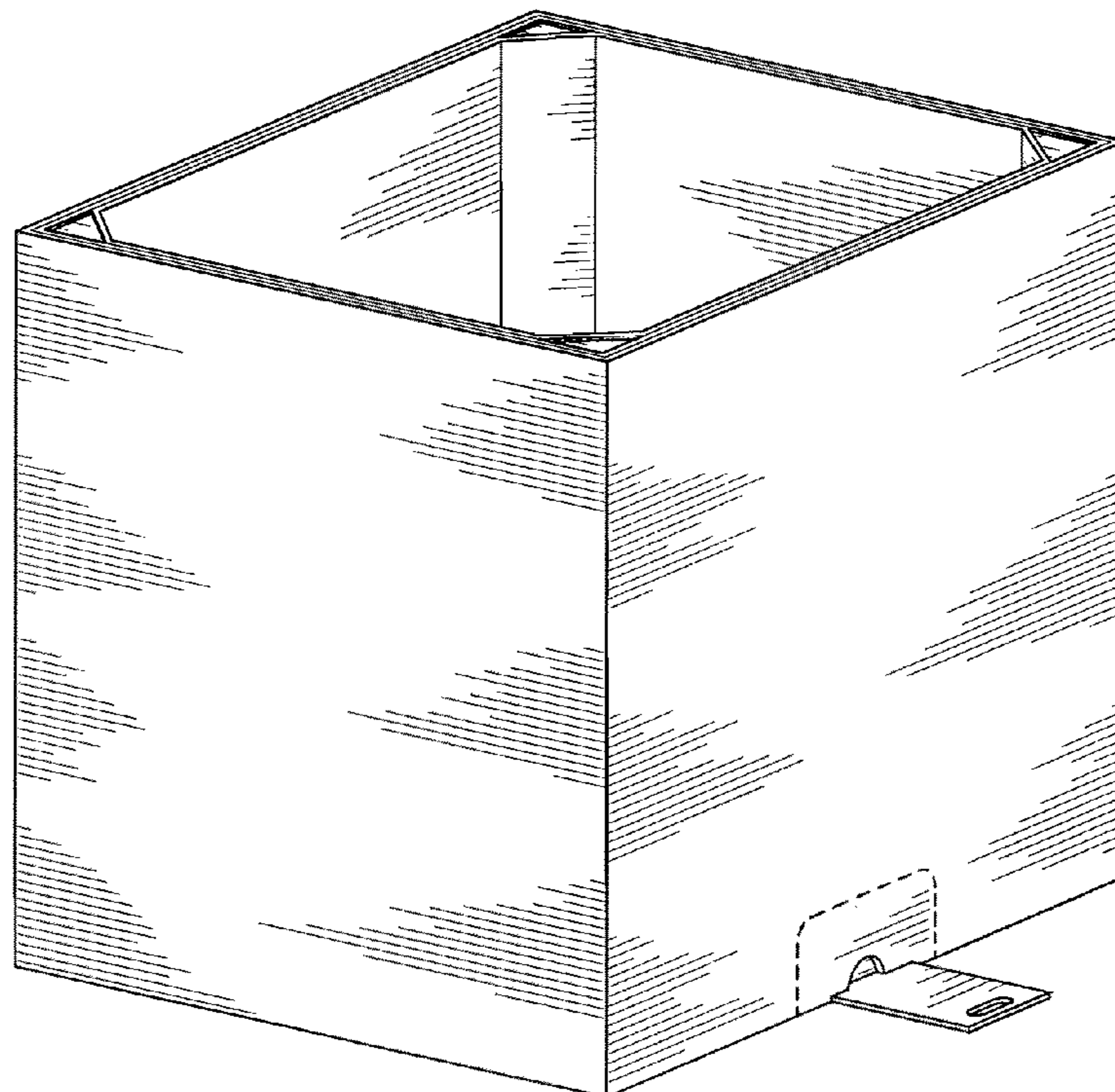
FIG. 4 is a front view of the corrugated seed dispenser of FIG. 1.

FIG. 5 is a rear view of the corrugated seed dispenser of FIG. 1; and,

FIG. 6 is a left side view of the corrugated seed dispenser of FIG. 1; the right side view is a mirror image.

The portions of the drawings appearing in broken lines are for environment only and do not form a part of the claimed design.

1 Claim, 4 Drawing Sheets



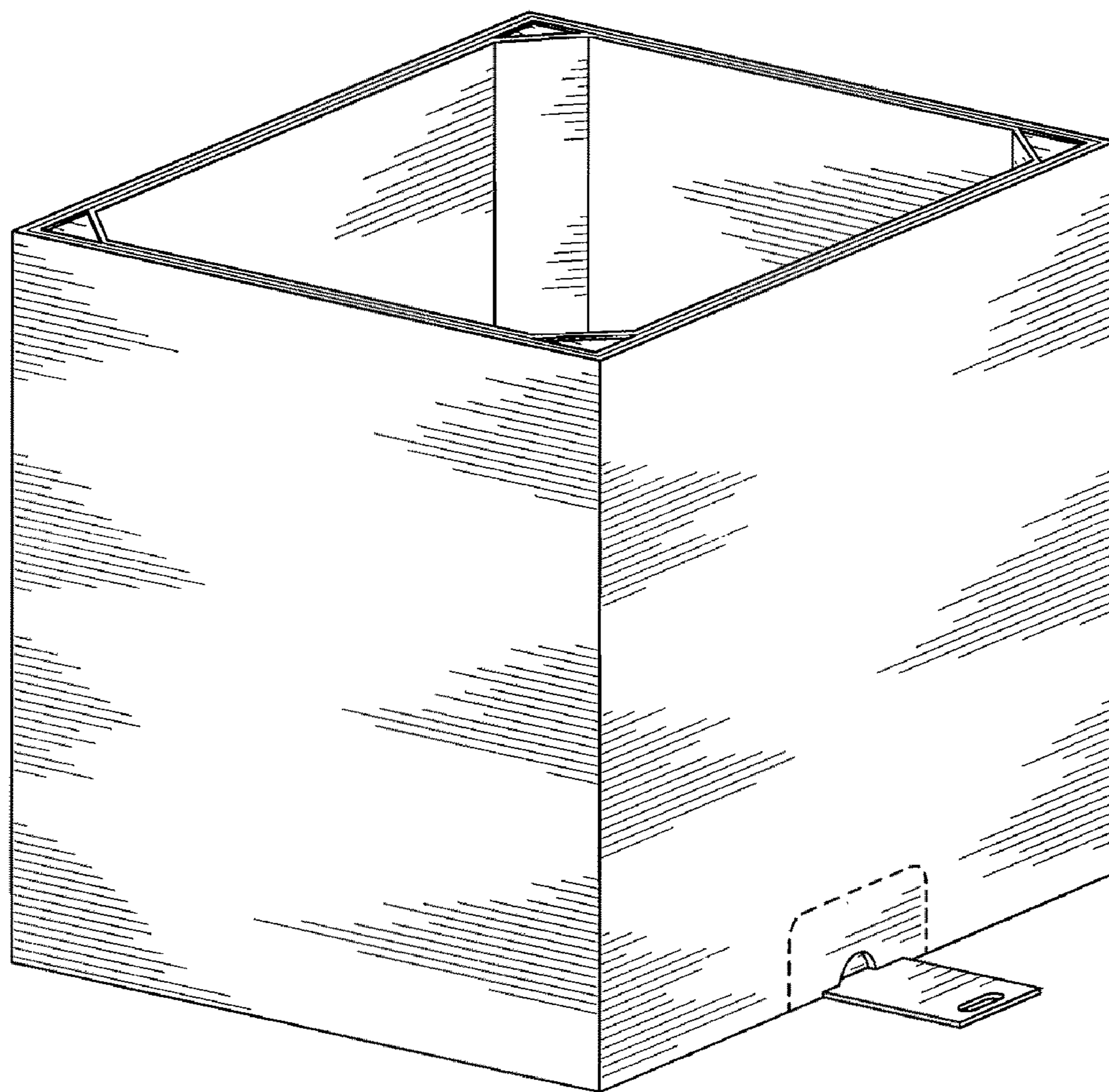


FIG. 1

FIG. 2

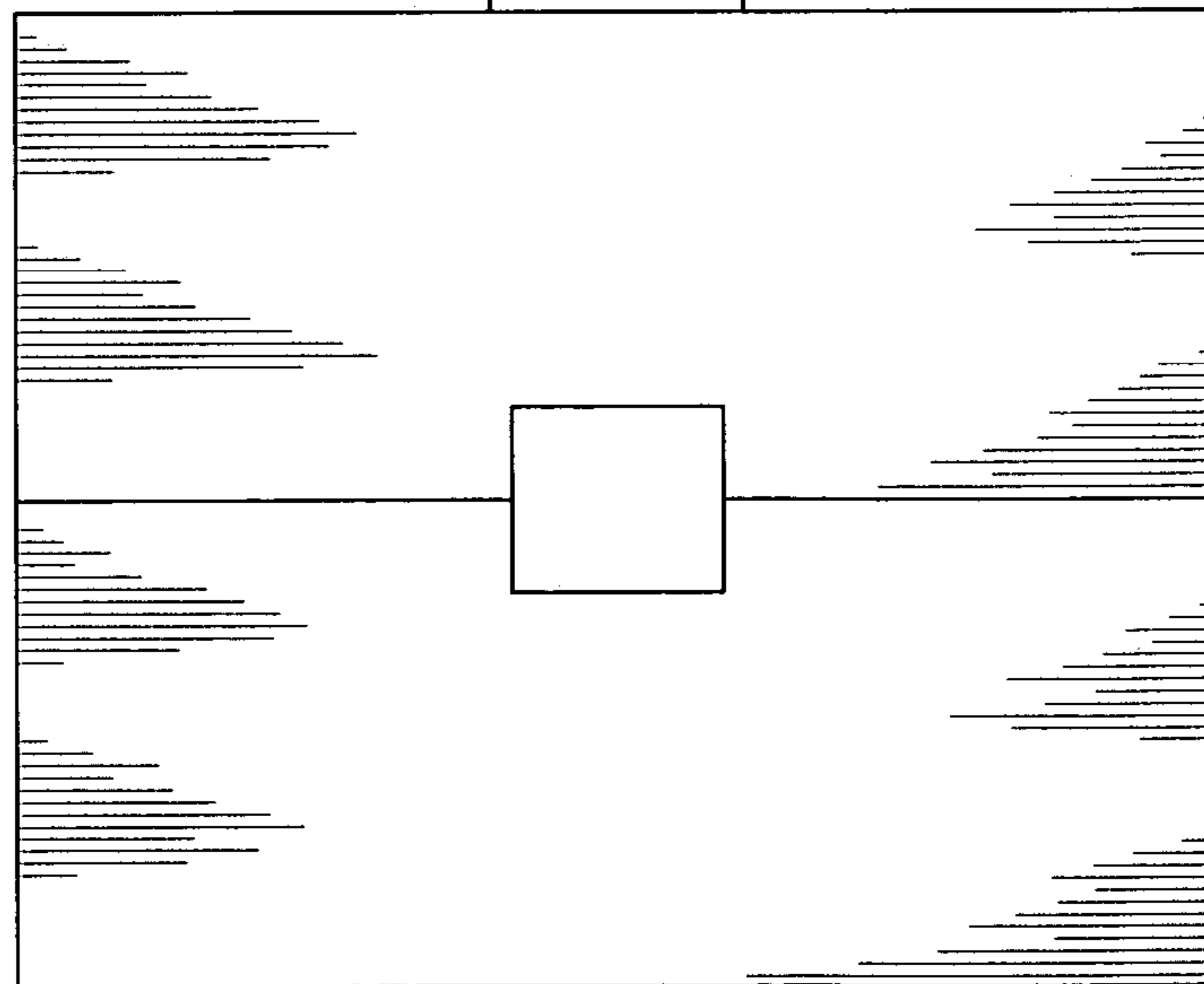
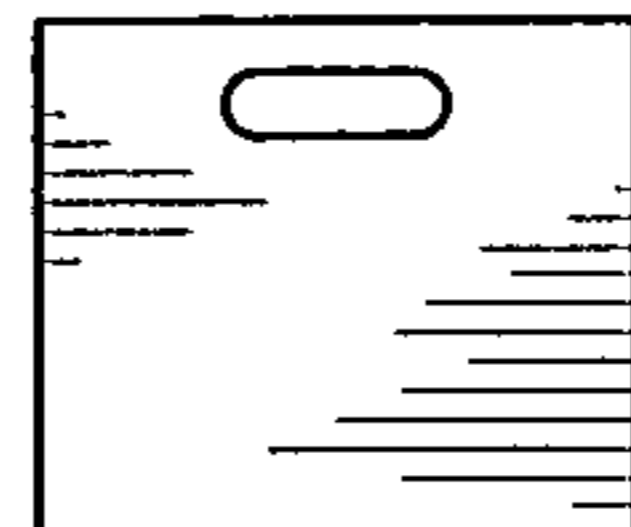
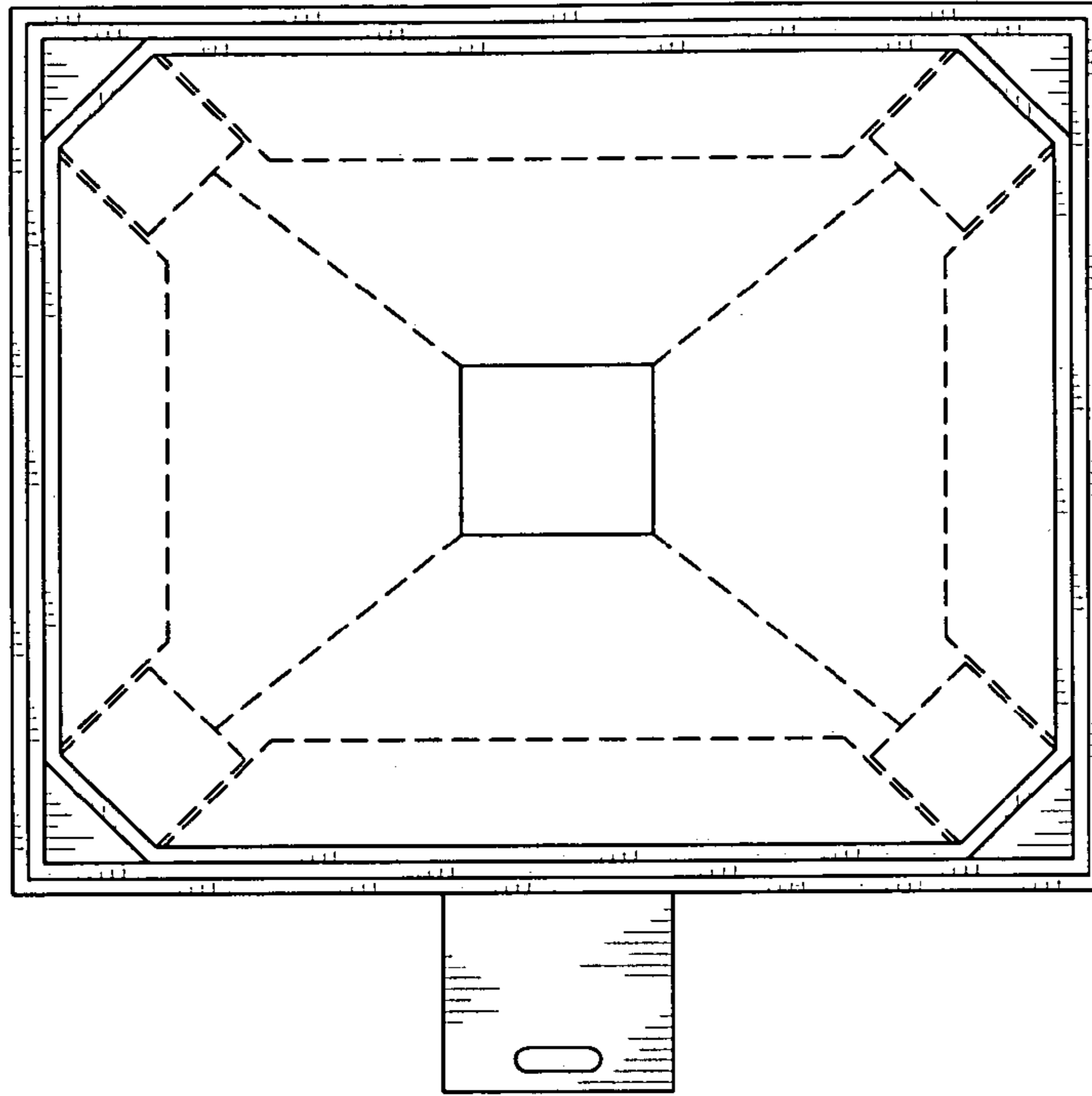


FIG. 3

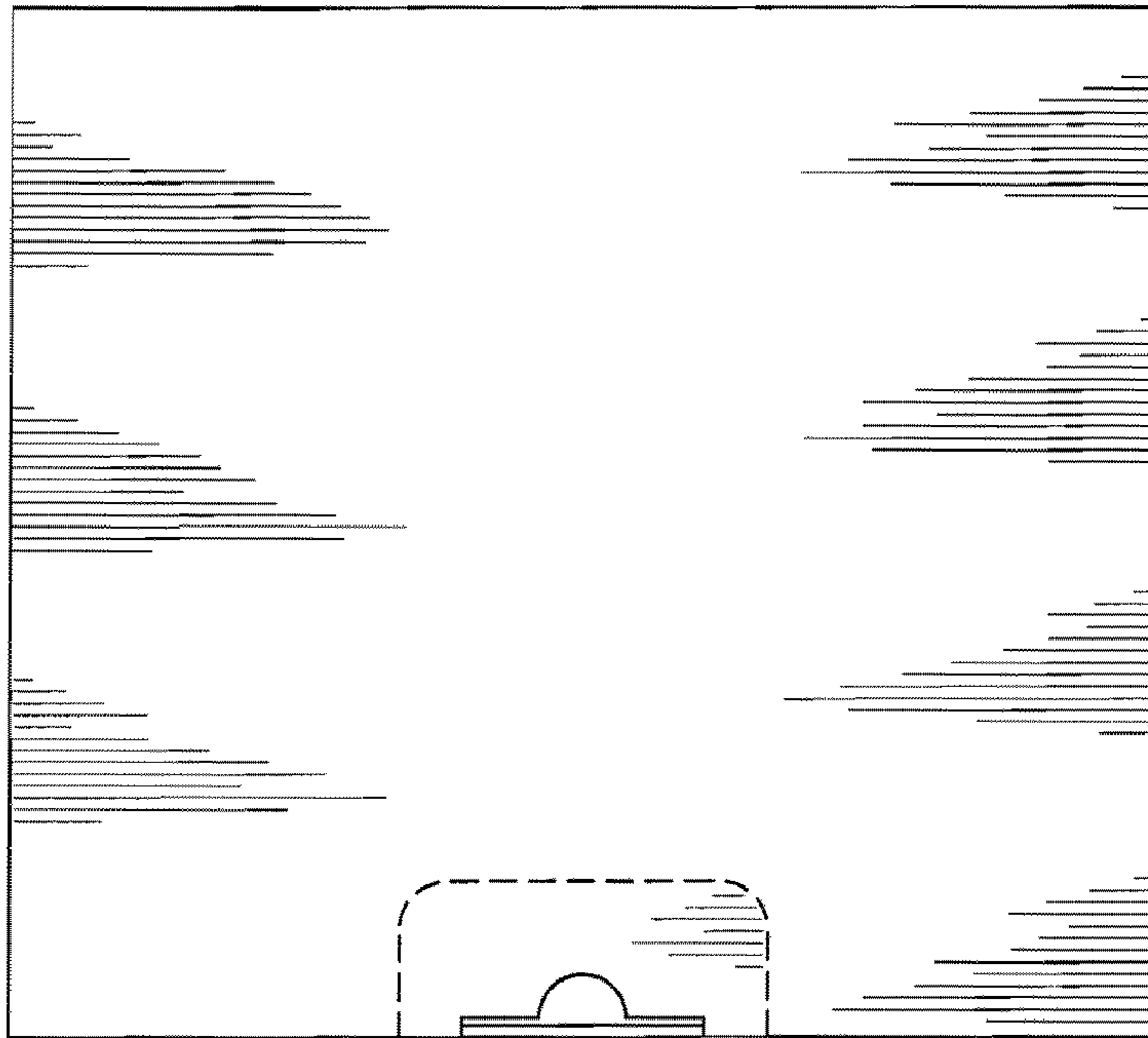


FIG. 4

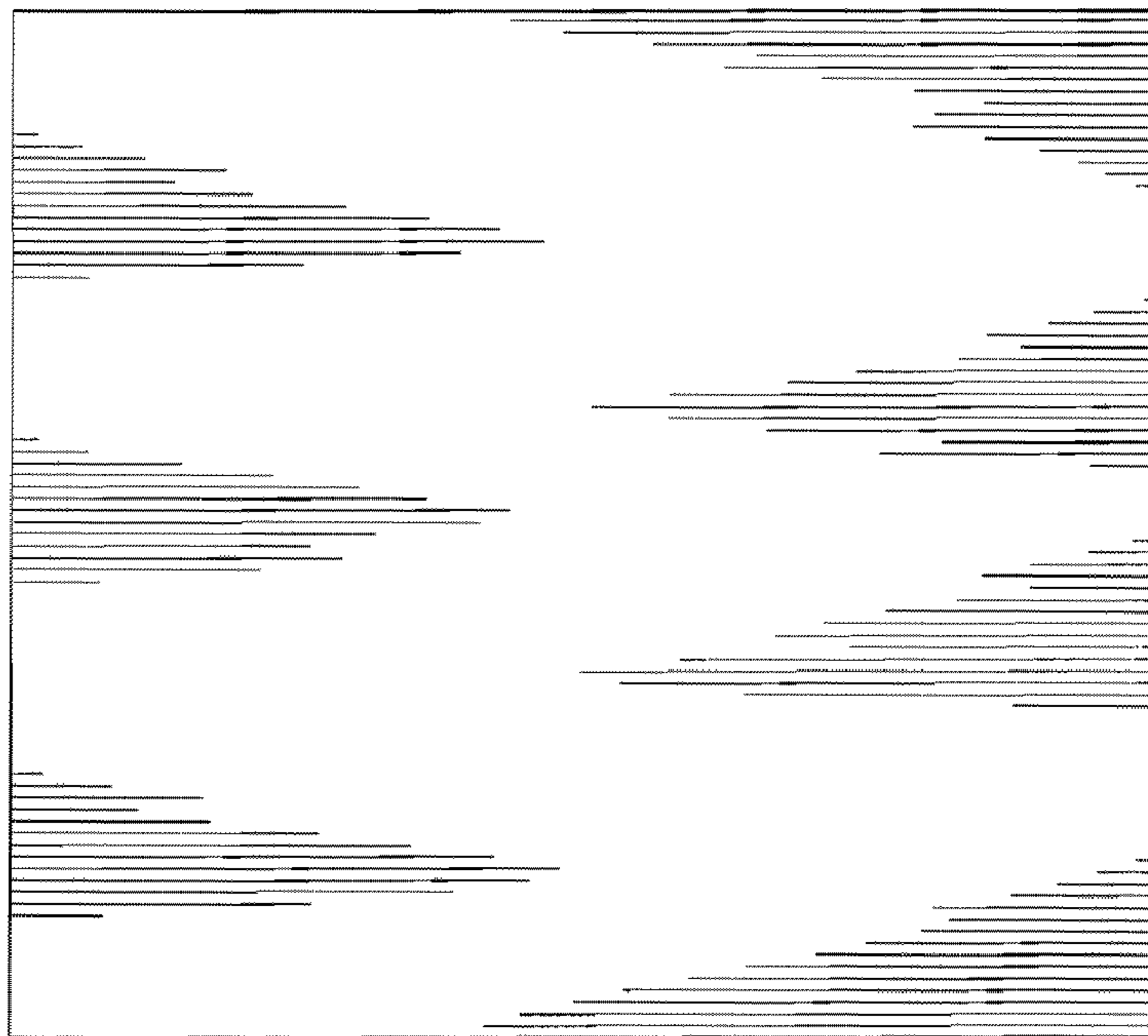


FIG. 5

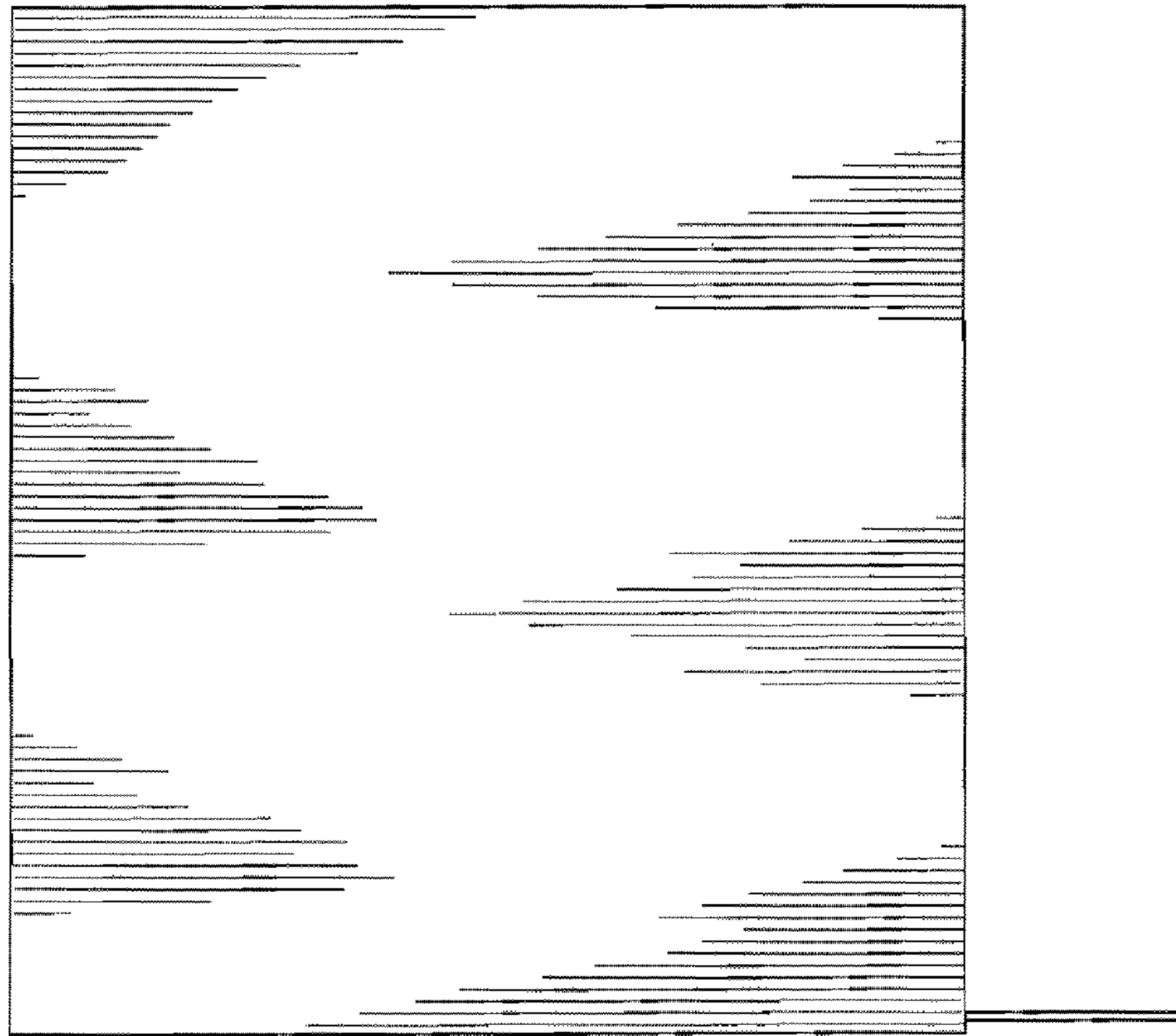


FIG. 6