



US00D647764S

(12) **United States Design Patent**
Siegel

(10) **Patent No.:** **US D647,764 S**

(45) **Date of Patent:** **** Nov. 1, 2011**

(54) **SHEATH ASSEMBLY FOR A CUTLERY BLOCK**

Primary Examiner — Terry Wallace

(74) *Attorney, Agent, or Firm* — Ryan A. Schneider, Esq.; Troutman Sanders LLP

(75) Inventor: **Jeffrey Siegel**, Kings Point, NY (US)

(73) Assignee: **Lifetime Brands, Inc.**, Garden City, NY (US)

(57) **CLAIM**

The ornamental design for a sheath assembly for a cutlery block, as shown and described.

(**) Term: **14 Years**

(21) Appl. No.: **29/382,875**

DESCRIPTION

(22) Filed: **Jan. 9, 2011**

(51) **LOC (9) Cl.** **07-99**

(52) **U.S. Cl.** **D7/637**

(58) **Field of Classification Search** D7/637-641;
211/60.1, 70.6, 70.7, 69.1-69.9, 71.01, 41.2,
211/41.3, 41.7; 248/37.3

See application file for complete search history.

FIG. 1 is a perspective view of a sheath assembly for a cutlery block of the present invention;

FIG. 2 is a side elevation view of the sheath assembly for a cutlery block of FIG. 1;

FIG. 3 is another side elevation view of the sheath assembly for a cutlery block of FIG. 1;

FIG. 4 is a front view of the sheath assembly for a cutlery block of FIG. 1;

FIG. 5 is a rear view of the sheath assembly for a cutlery block of FIG. 1;

FIG. 6 is a top view of the sheath assembly for a cutlery block of FIG. 1; and,

FIG. 7 is a bottom view of the sheath assembly for a cutlery block of FIG. 1.

The broken lines are for illustrative purposes only and form no part of the claimed design.

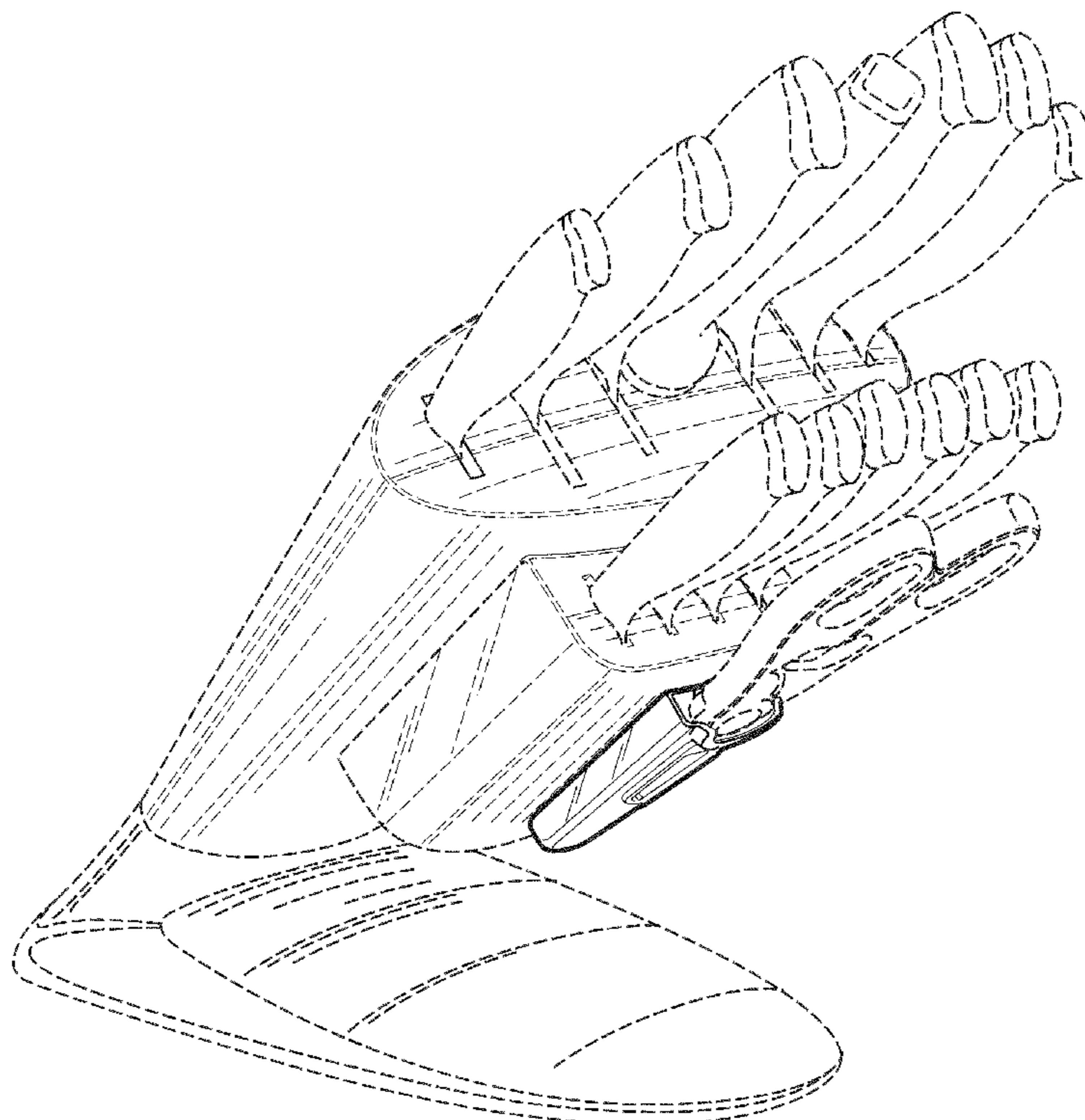
(56) **References Cited**

U.S. PATENT DOCUMENTS

D197,793	S *	3/1964	Munson	D7/641
4,509,651	A *	4/1985	Prindle	211/70.6
D280,587	S *	9/1985	Carlson	D7/637
D382,774	S *	8/1997	Cohen et al.	D7/637
D600,078	S *	9/2009	Wang et al.	D7/637
2007/0278165	A1 *	12/2007	Ranieri	211/70.7
2009/0106982	A1 *	4/2009	Kushner	211/70.7

* cited by examiner

1 Claim, 7 Drawing Sheets



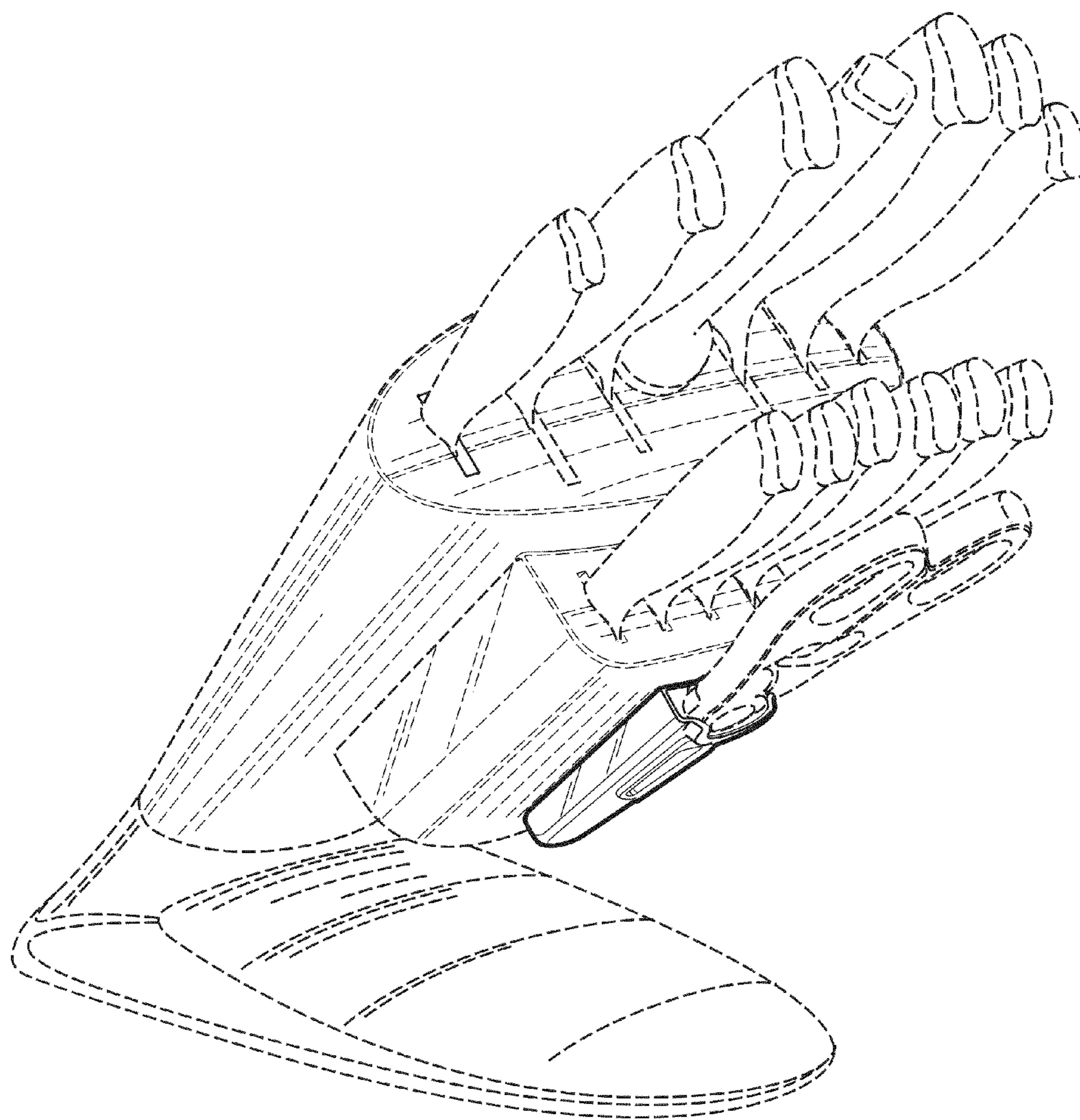


Fig. 1

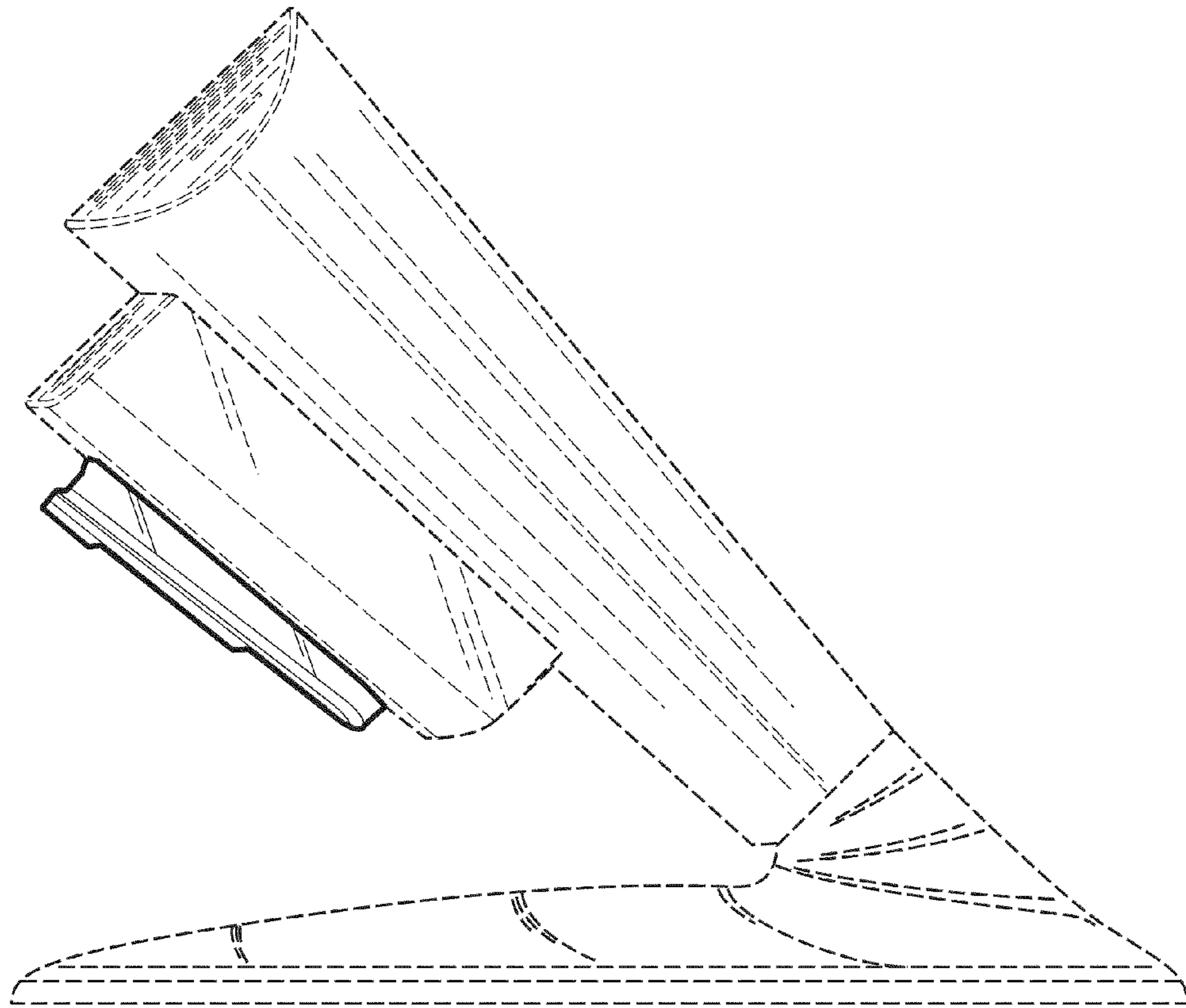


Fig. 2

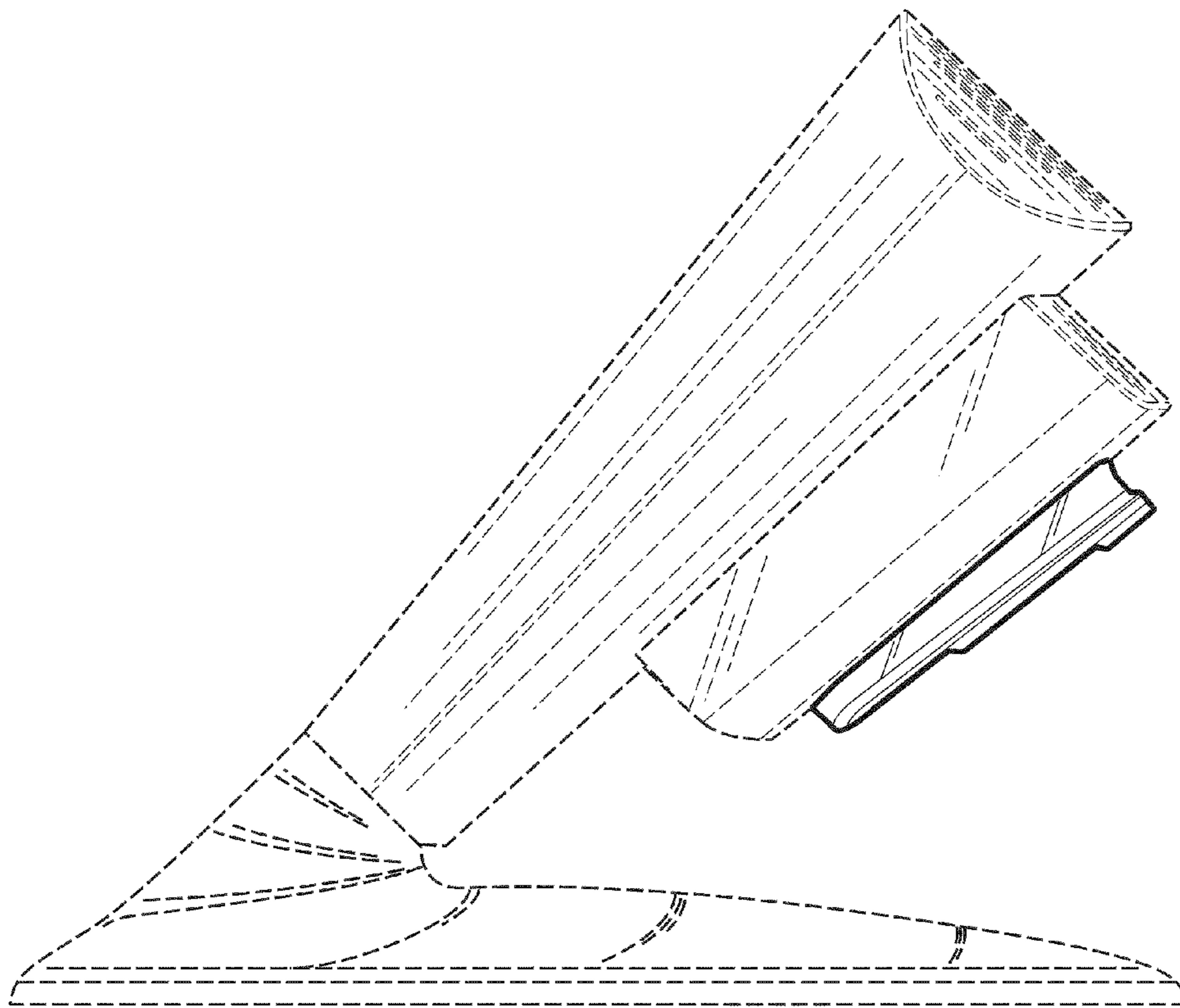


Fig. 3

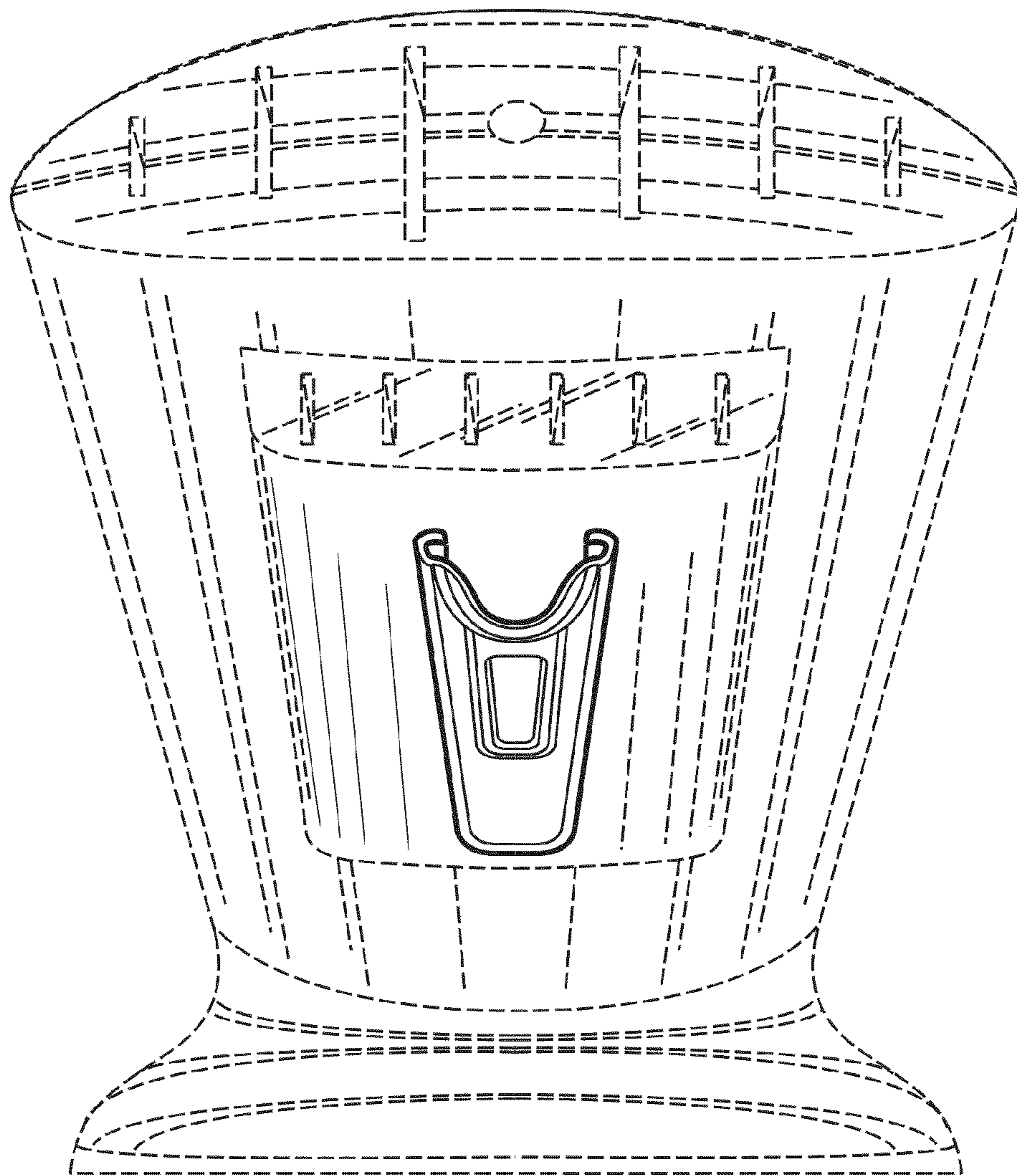


Fig. 4

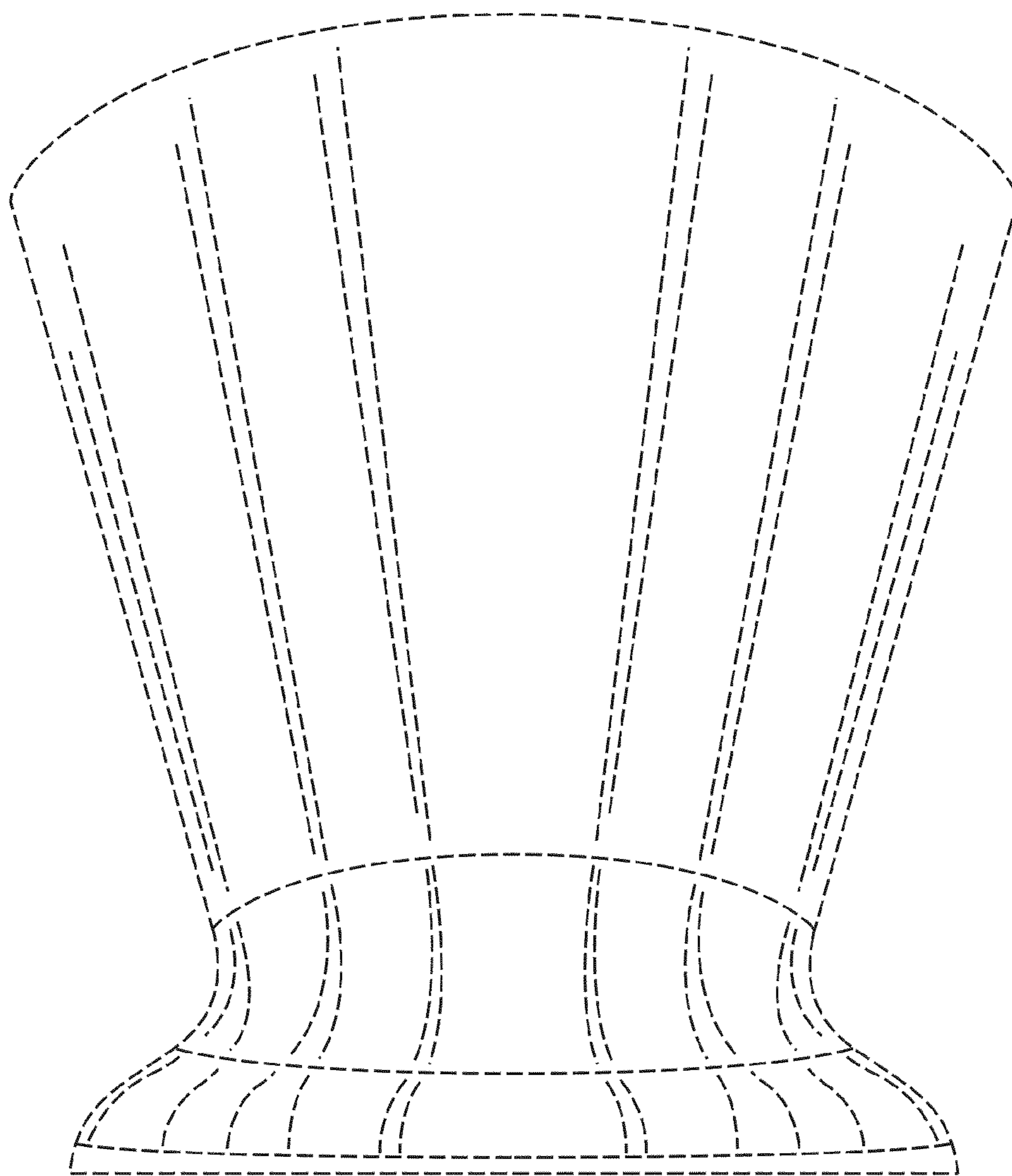


Fig. 5

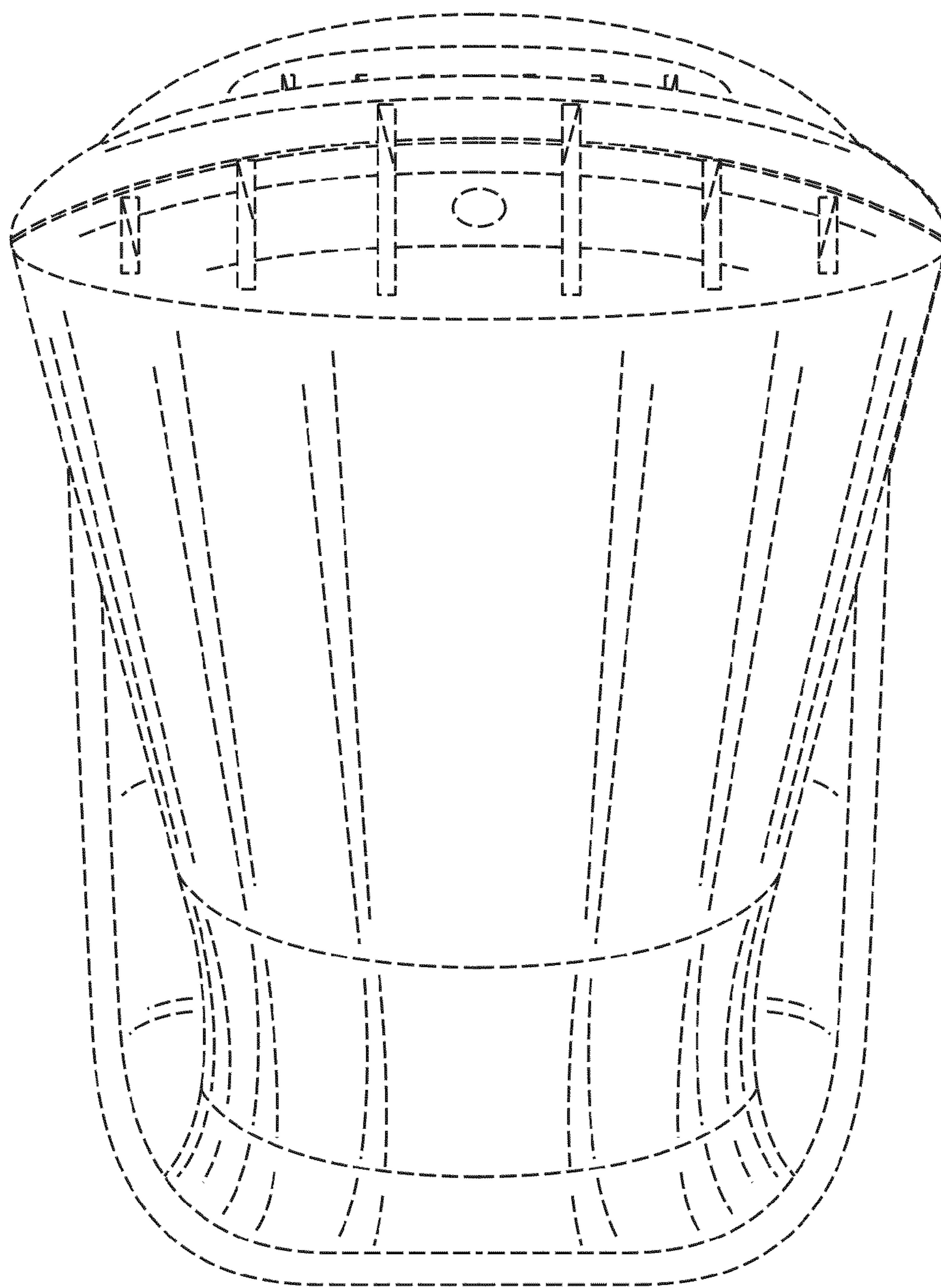


Fig. 6

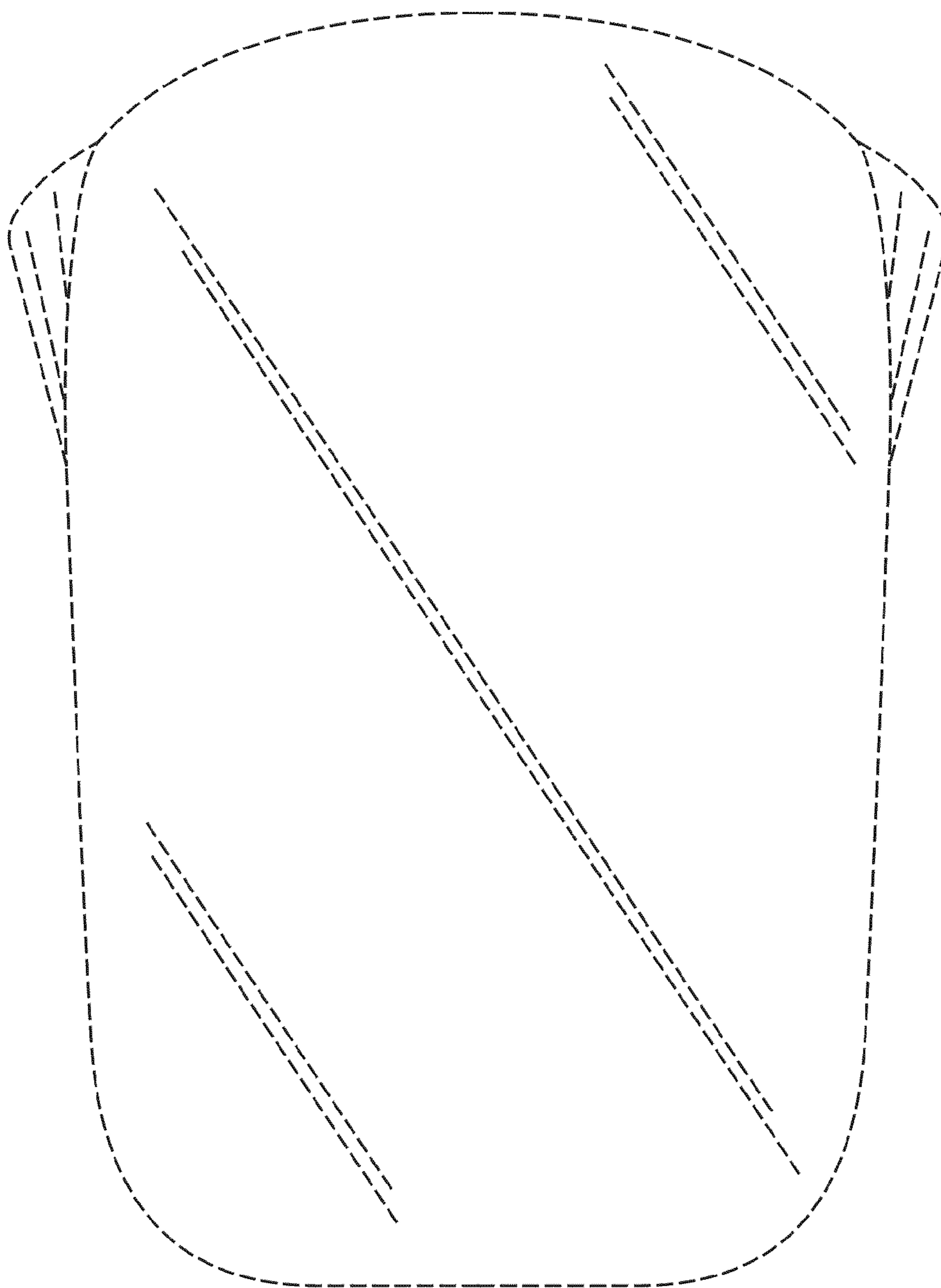


Fig. 7