



US00D647763S

(12) **United States Design Patent**
Siegel

(10) **Patent No.:** **US D647,763 S**

(45) **Date of Patent:** **** Nov. 1, 2011**

(54) **CUTLERY BLOCK WITH SHEATH ASSEMBLY**

(75) Inventor: **Jeffrey Siegel**, Kings Point, NY (US)

(73) Assignee: **Lifetime Brands, Inc.**, Garden City, NY (US)

(**) Term: **14 Years**

(21) Appl. No.: **29/382,874**

(22) Filed: **Jan. 9, 2011**

(51) **LOC (9) Cl.** **07-99**

(52) **U.S. Cl.** **D7/637**

(58) **Field of Classification Search** D7/637-641;
211/69.1-69.9, 70.6, 70.7, 71.01, 41.2, 41.3,
211/41.7, 60.1; 248/37.3

See application file for complete search history.

(56) **References Cited**

U.S. PATENT DOCUMENTS

D197,793	S	*	3/1964	Munson	D7/641
4,509,651	A	*	4/1985	Prindle	211/70.6
D280,587	S	*	9/1985	Carlson	D7/637
D382,774	S	*	8/1997	Cohen et al.	D7/637
D600,078	S	*	9/2009	Wang et al.	D7/637
2007/0278165	A1	*	12/2007	Ranieri	211/70.7
2009/0106982	A1	*	4/2009	Kushner	211/70.7

* cited by examiner

Primary Examiner — Terry Wallace

(74) *Attorney, Agent, or Firm* — Ray A. Schneider, Esq.; Troutman Sanders LLP

(57) **CLAIM**

The ornamental design for a cutlery block with sheath assembly, as shown and described.

DESCRIPTION

FIG. 1 is a perspective view of a cutlery block with sheath assembly of the present invention;

FIG. 2 is a side elevation view of the cutlery block with sheath assembly of FIG. 1;

FIG. 3 is another side elevation view of the cutlery block with sheath assembly of FIG. 1;

FIG. 4 is a front view of the cutlery block with sheath assembly of FIG. 1;

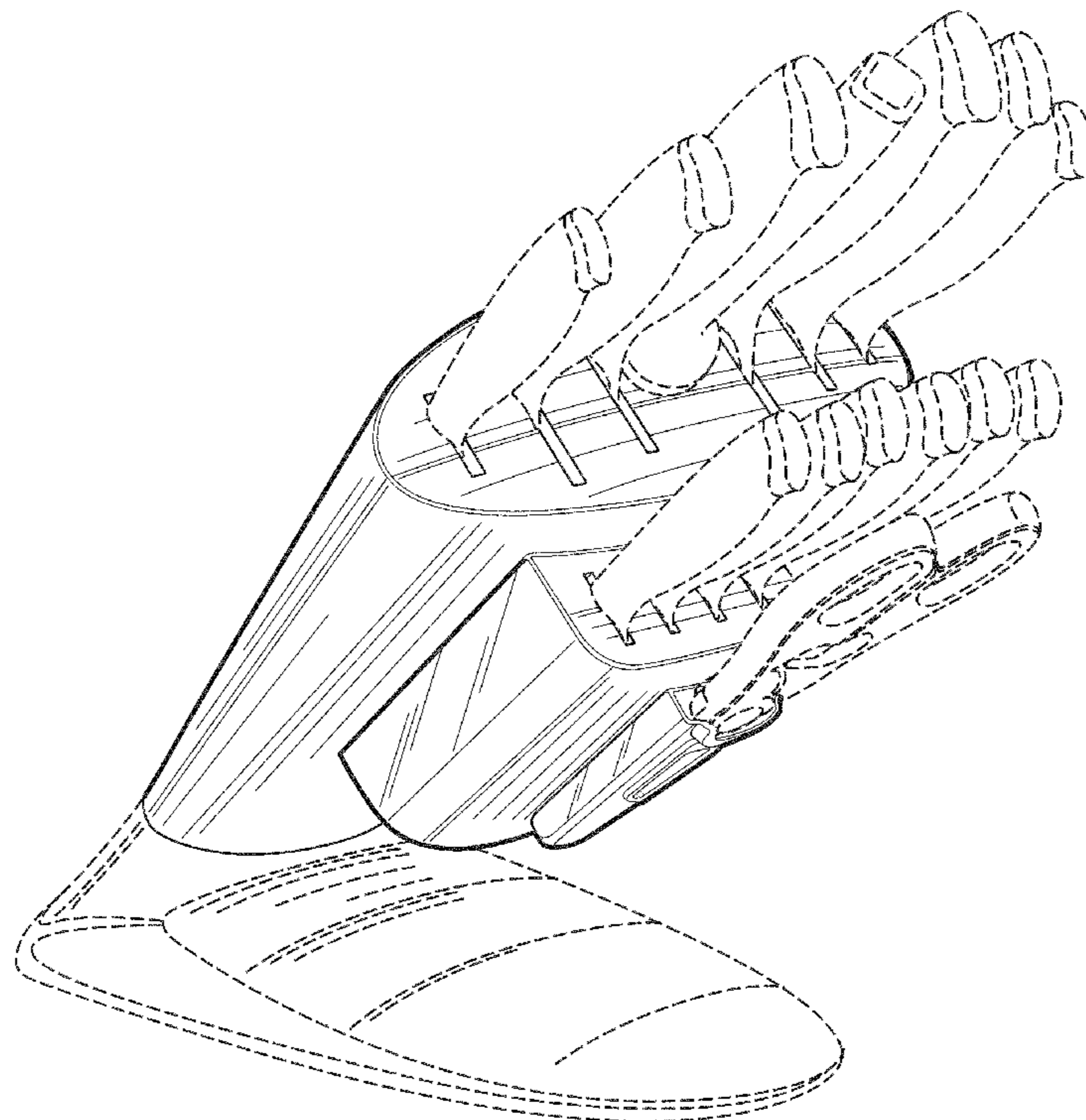
FIG. 5 is a rear view of the cutlery block with sheath assembly of FIG. 1;

FIG. 6 is a top view of the cutlery block with sheath assembly of FIG. 1; and,

FIG. 7 is a bottom view of the cutlery block with sheath assembly of FIG. 1.

The broken lines are for illustrative purposes only and form no part of the claimed design.

1 Claim, 7 Drawing Sheets



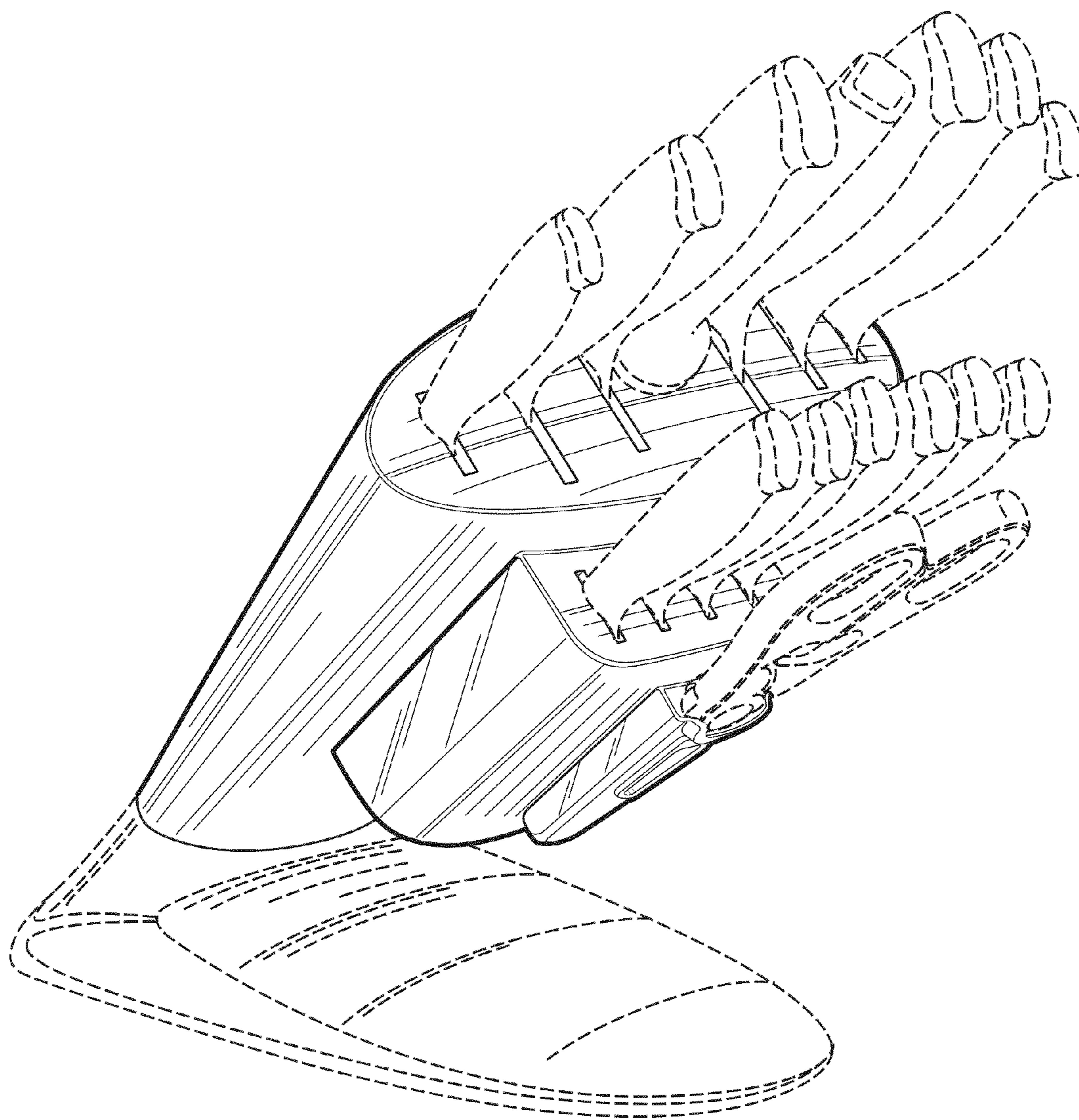


Fig. 1

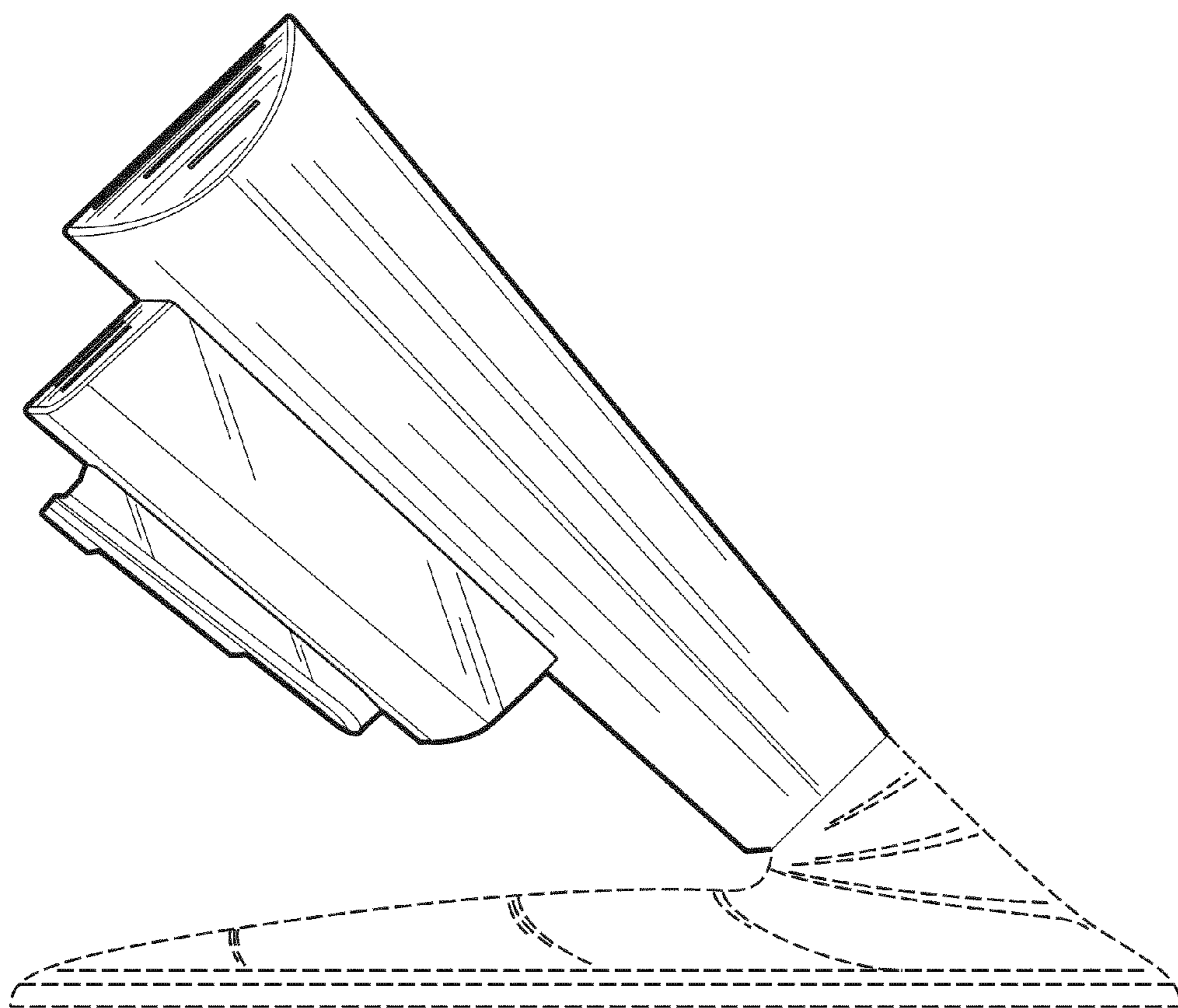


Fig. 2

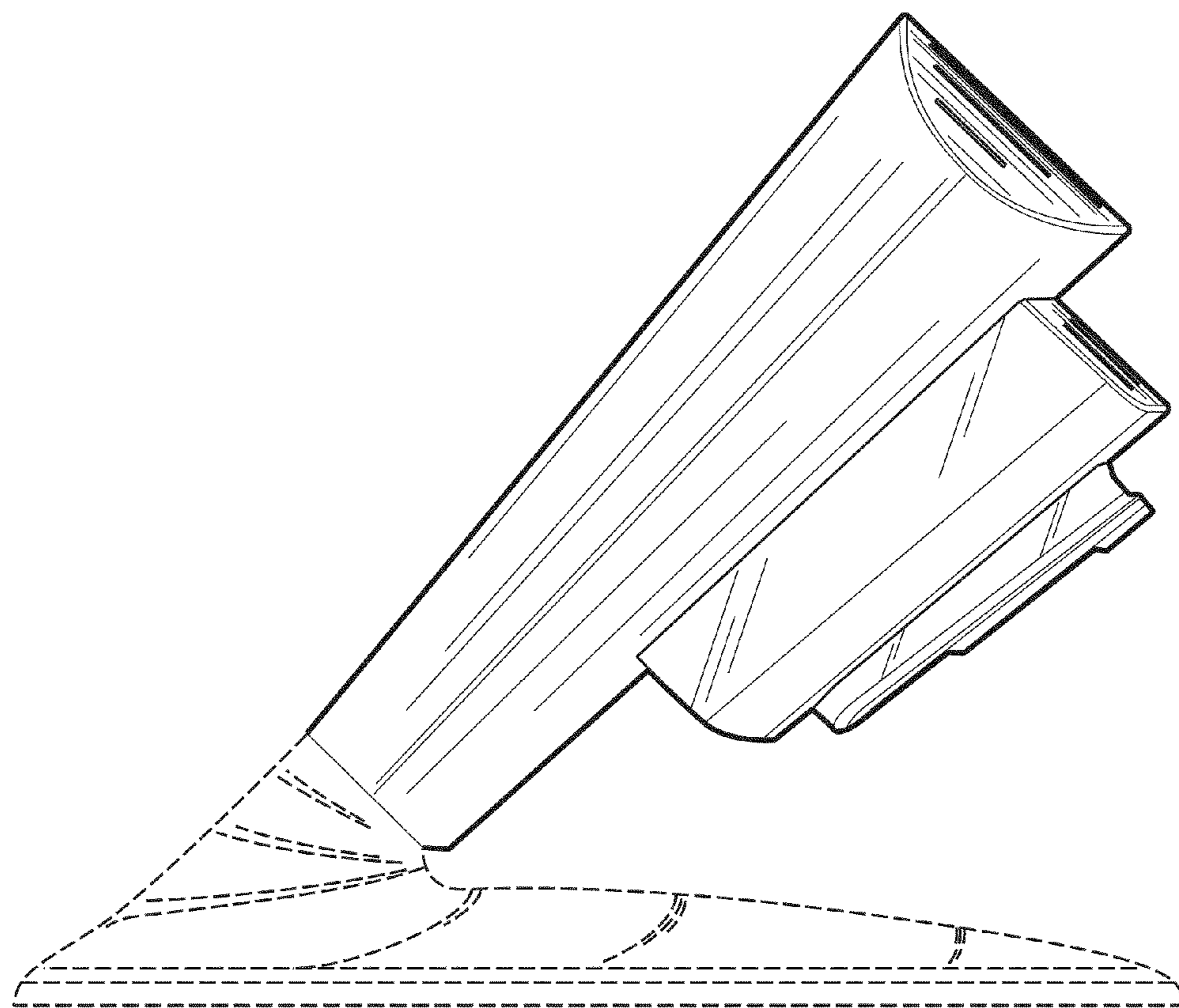


Fig. 3

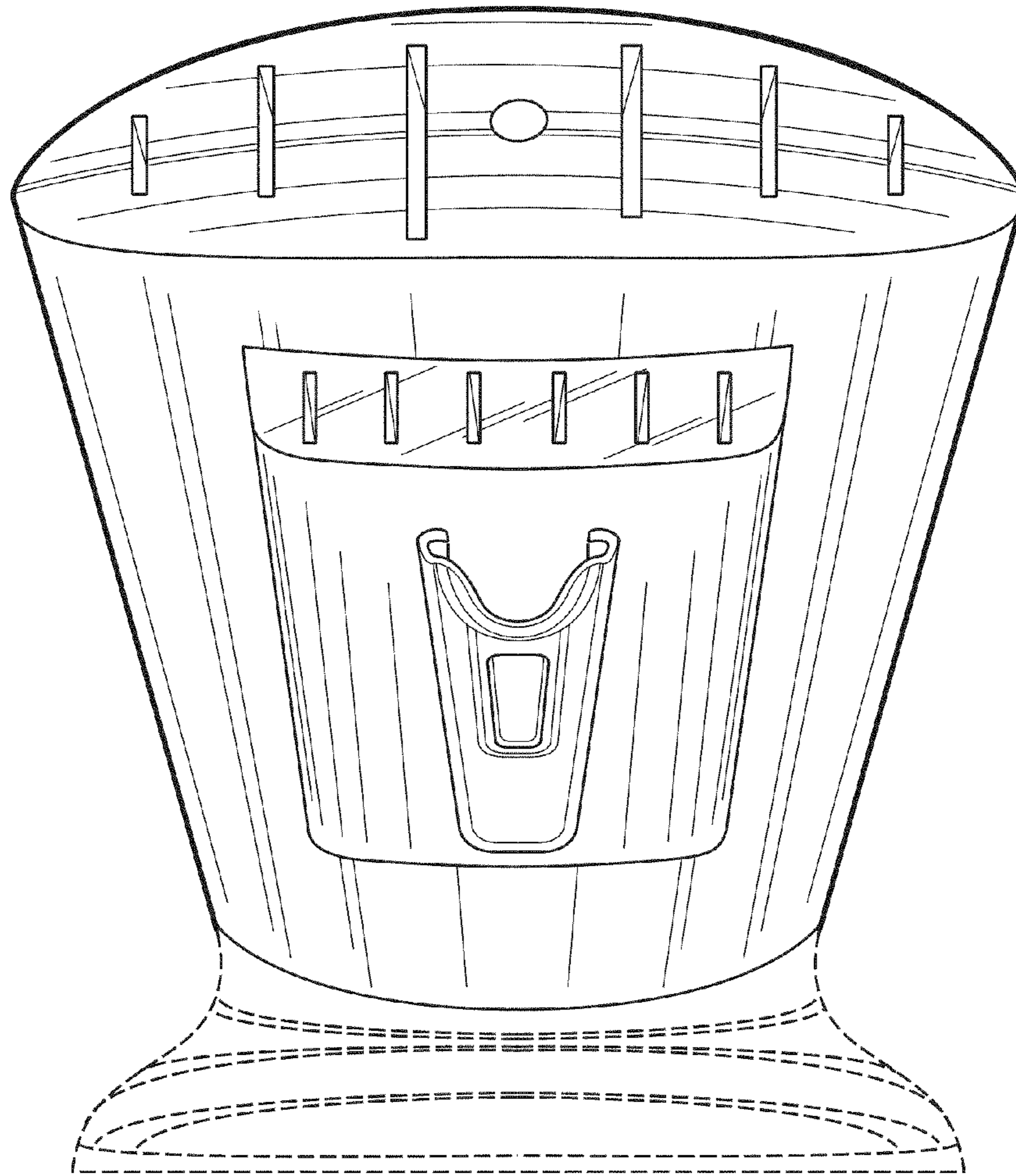


Fig. 4

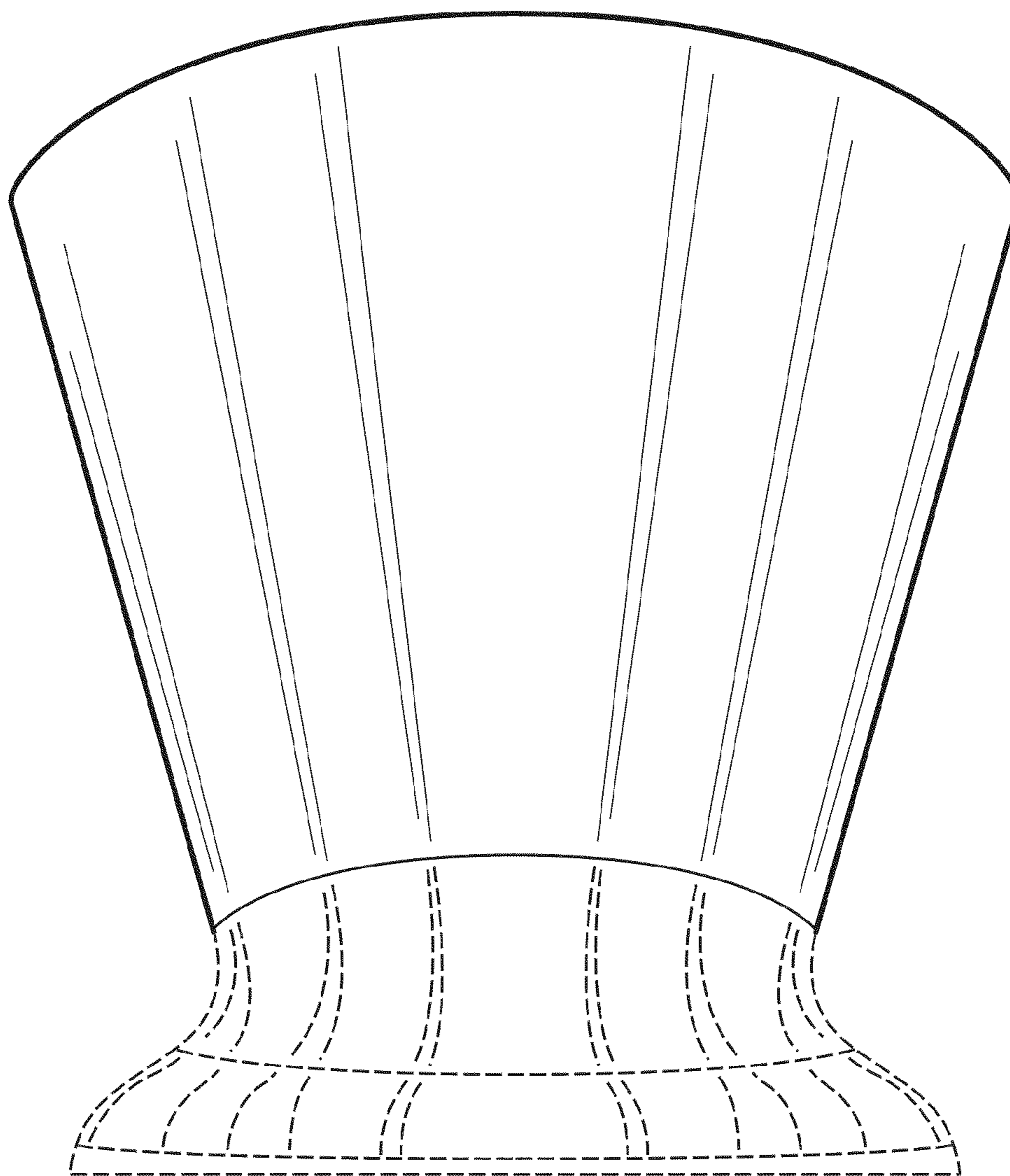


Fig. 5

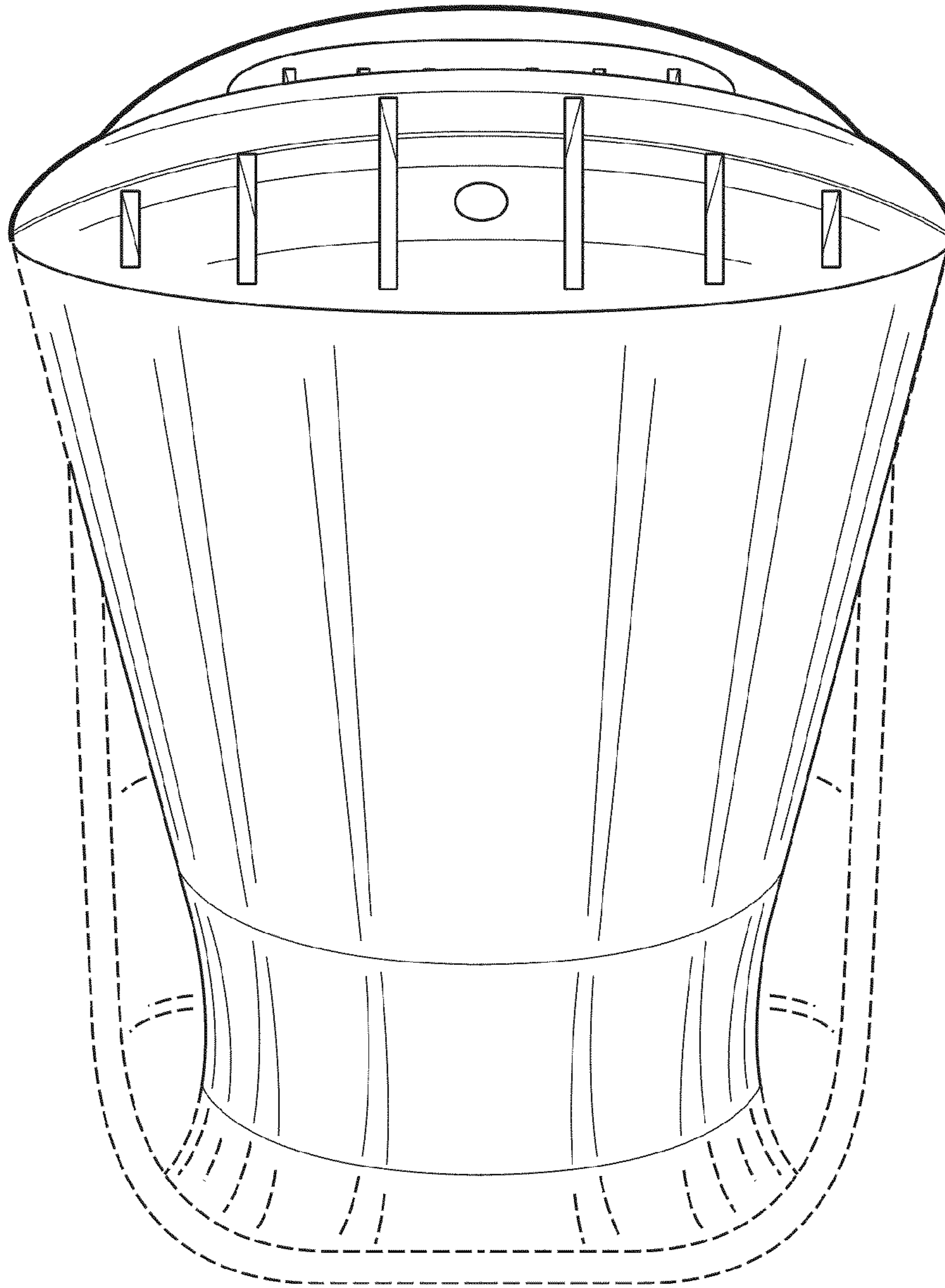


Fig. 6

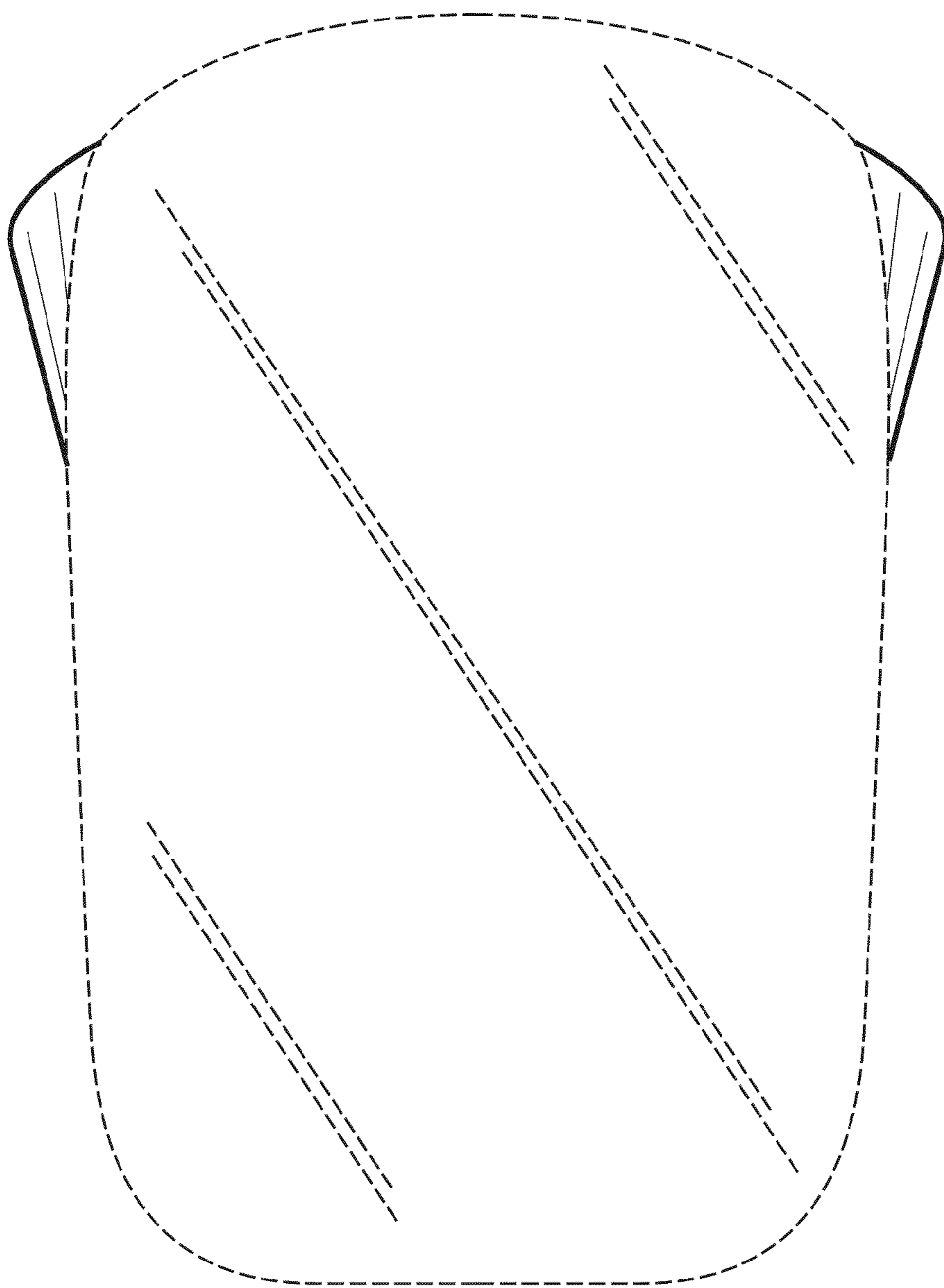


Fig. 7