



US00D647762S

(12) **United States Design Patent**
Flaherty

(10) **Patent No.:** **US D647,762 S**

(45) **Date of Patent:** **** Nov. 1, 2011**

(54) **CUP SLEEVE ELEMENT**

(74) *Attorney, Agent, or Firm* — Standley Law Group LLP

(76) Inventor: **Lisa L Flaherty**, Marion, OH (US)

(**) Term: **14 Years**

(57) **CLAIM**

The ornamental design for a cup sleeve element, as shown and described.

(21) Appl. No.: **29/391,529**

(22) Filed: **May 10, 2011**

DESCRIPTION

(51) **LOC (9) Cl.** **07-06**

(52) **U.S. Cl.** **D7/624.2**

(58) **Field of Classification Search** D7/601-602,
D7/619.1, 624.1, 624.2, 388; D11/1, 3, 5-6,
D11/11, 19, 25, 79, 86, 93; D9/444, 455,
D9/501, 517; D24/194, 199; 215/11.6; 220/592.16,
220/592.17, 737-739, 902-903; 229/89-91;
248/346.11

See application file for complete search history.

FIG. 1 is a top, front perspective view of a cup sleeve element of the present invention shown in the cup sleeve configuration and applied to a cup;

FIG. 2 is a front elevation view thereof;

FIG. 3 is a top, front perspective view thereof, shown in the cup sleeve configuration;

FIG. 4 is a top, front, right side perspective view of the cup sleeve element of the present invention;

FIG. 5 is a top, rear right side perspective view thereof;

FIG. 6 is a front elevation view thereof;

FIG. 7 is a right side elevation view thereof, the left side elevation view being a mirror image;

FIG. 8 is a rear elevation view thereof; and,

FIG. 9 is a top plan view thereof, the bottom plan view being a mirror image.

The broken lines in the drawings showing the additional cup sleeve elements, the cup and the elastic elements in FIGS. 1, 2 & 3 are for illustrative purposes only and form no part of the claimed design. The broken lines in the drawings showing a portion of the front surface of the cup sleeve element in FIGS. 1-4 & 6 illustrate the portions of the design that form no part of the claim.

(56) **References Cited**

U.S. PATENT DOCUMENTS

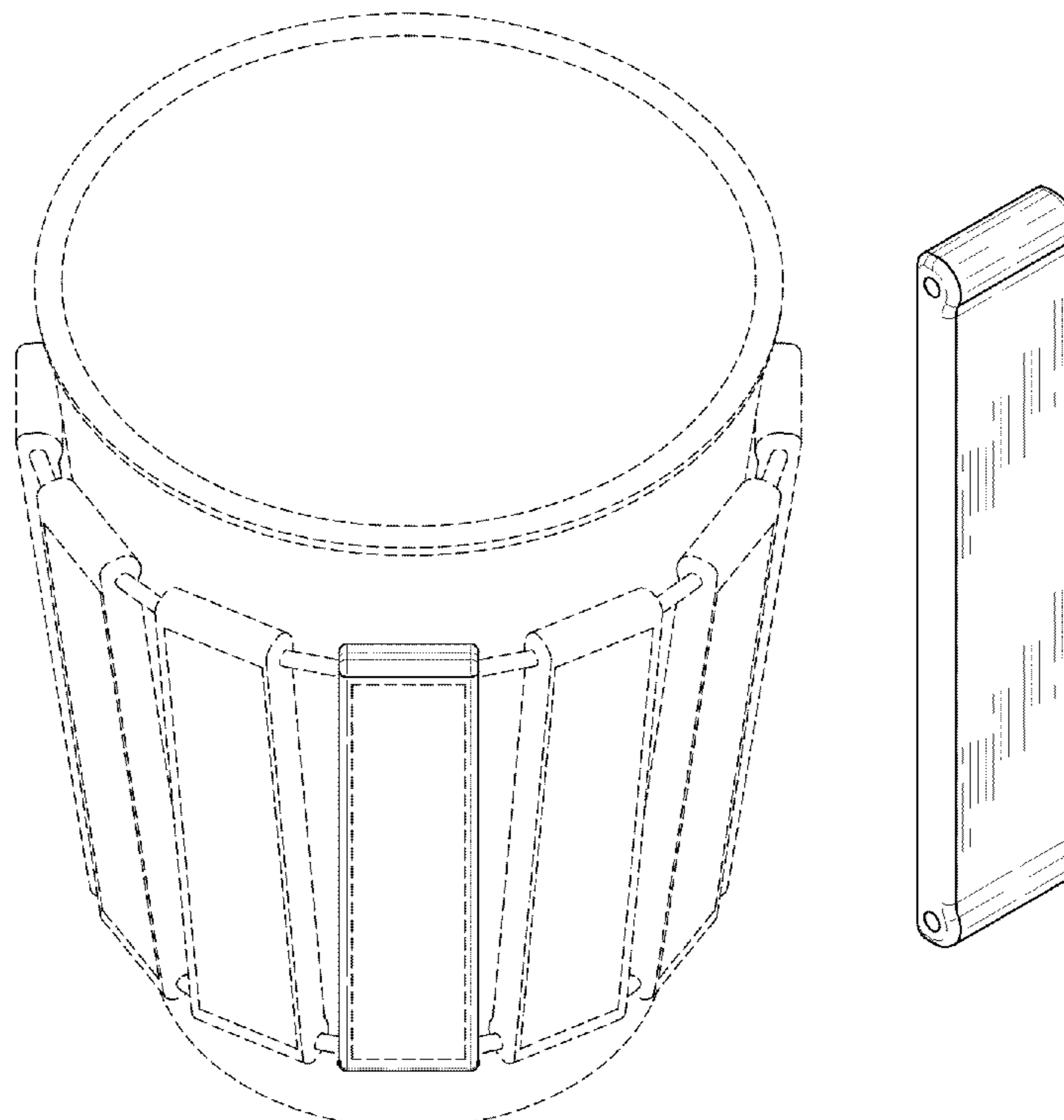
1,808,140	A *	6/1931	Kestenman	59/80
3,126,139	A *	3/1964	Schechter	229/403
D322,227	S *	12/1991	Warhol	D10/32
D347,553	S *	6/1994	Schneider	D7/607
6,718,733	B2 *	4/2004	Kilmartin	53/397
D502,661	S *	3/2005	Rapport	D11/3
D502,662	S *	3/2005	Rapport	D11/3
D503,646	S *	4/2005	Rapport	D11/3
7,028,507	B2 *	4/2006	Rapport	63/3

* cited by examiner

Primary Examiner — Ian Simmons

Assistant Examiner — Dana L Sipos

1 Claim, 3 Drawing Sheets



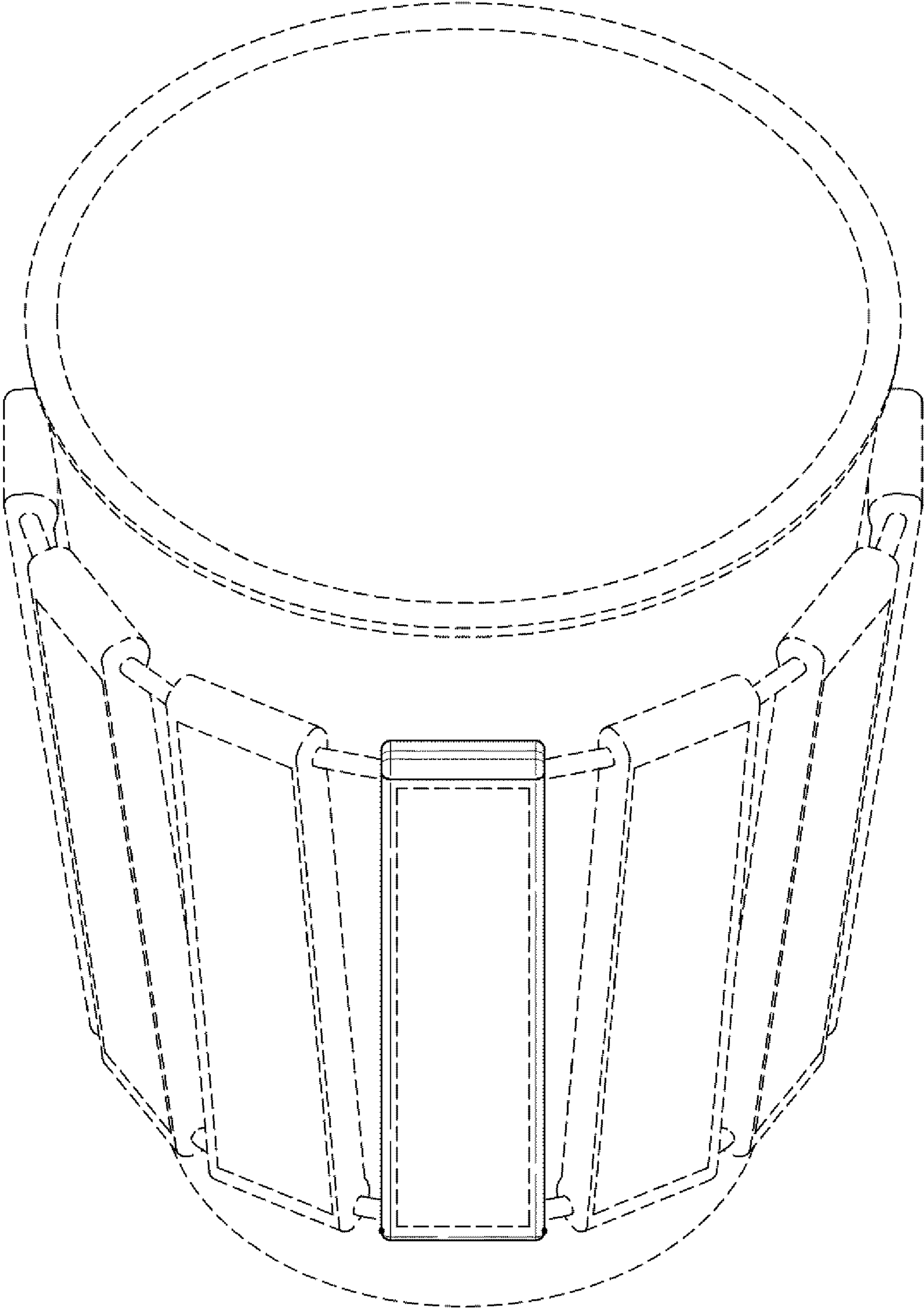


FIG-1

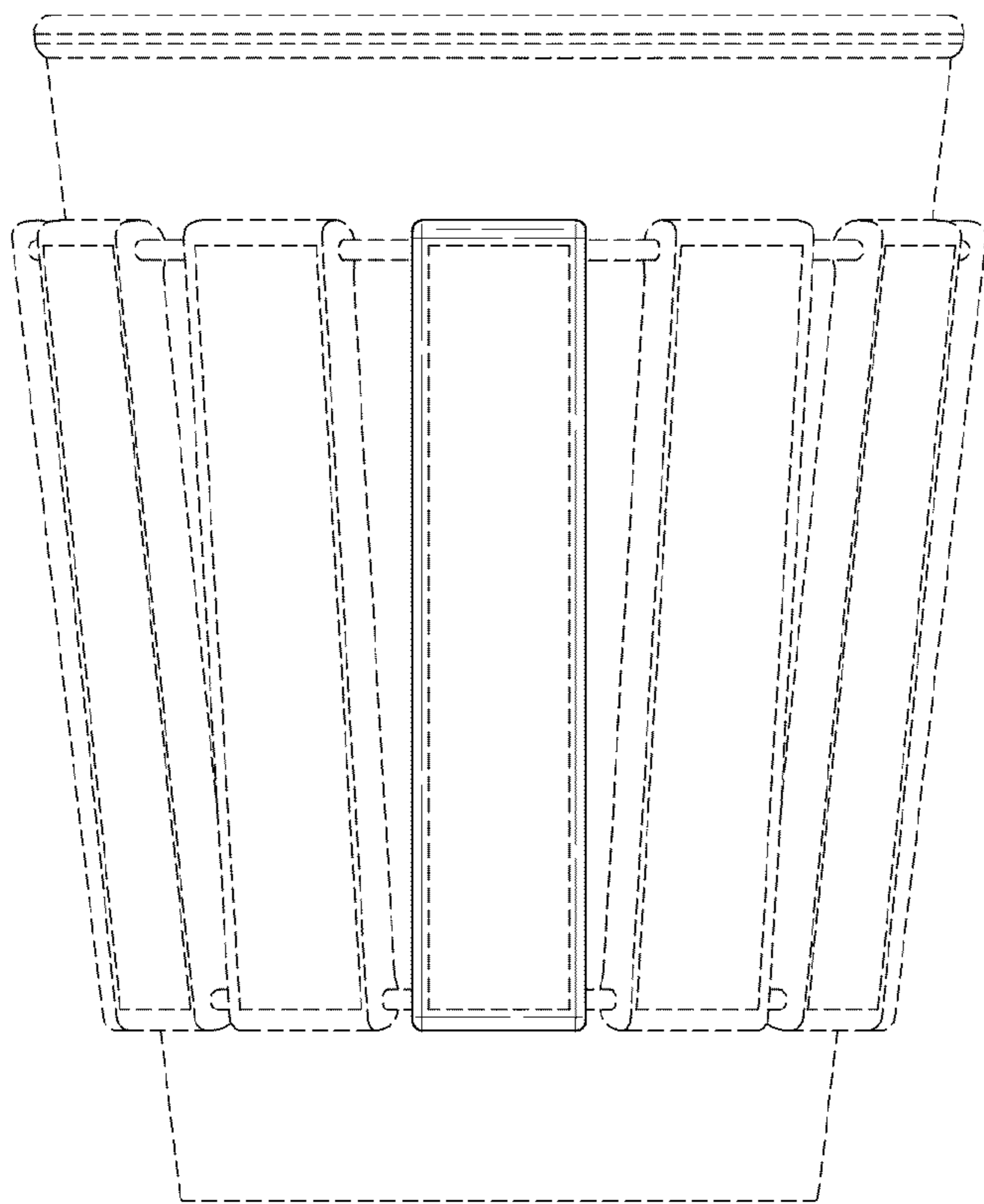


FIG-2

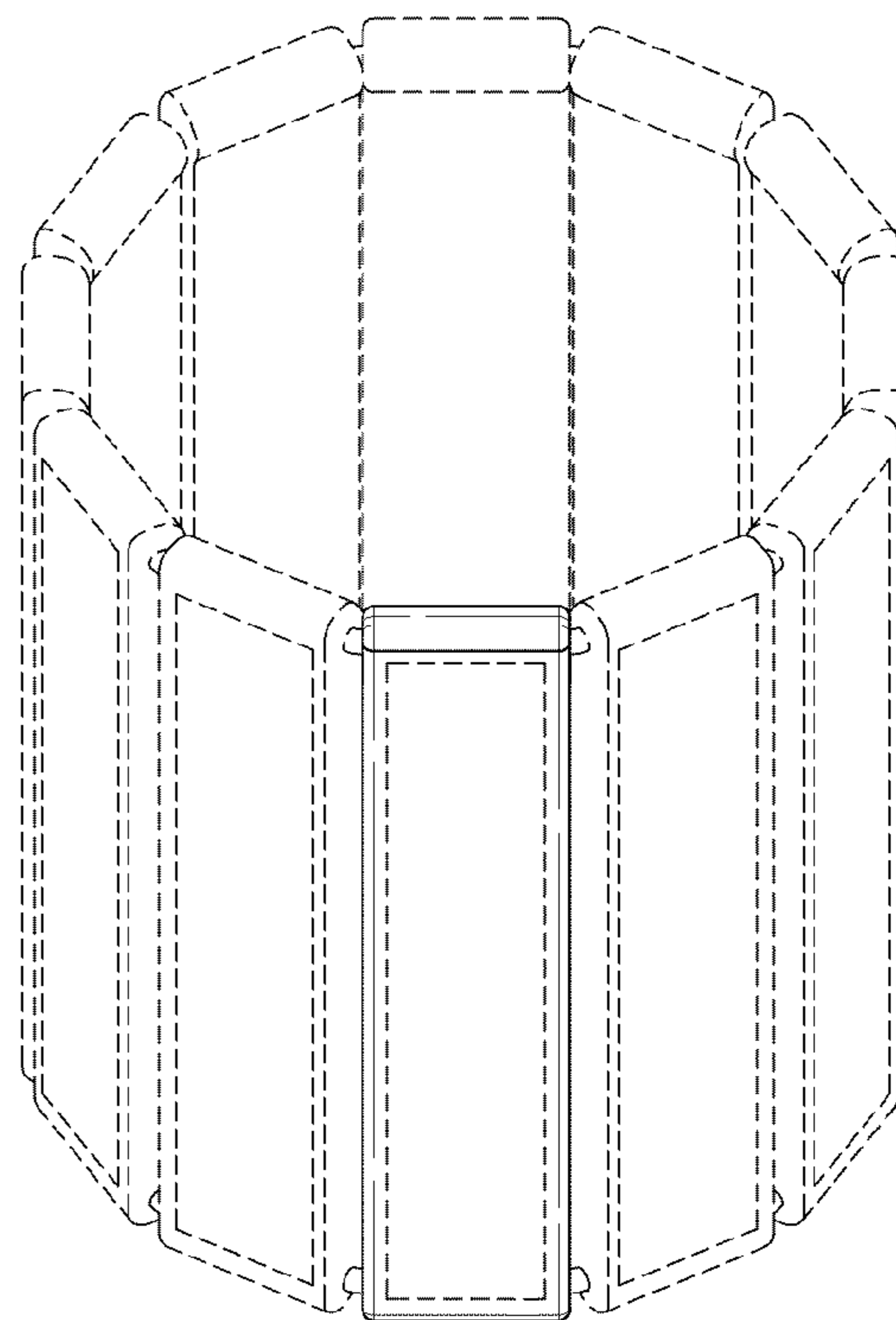


FIG-3

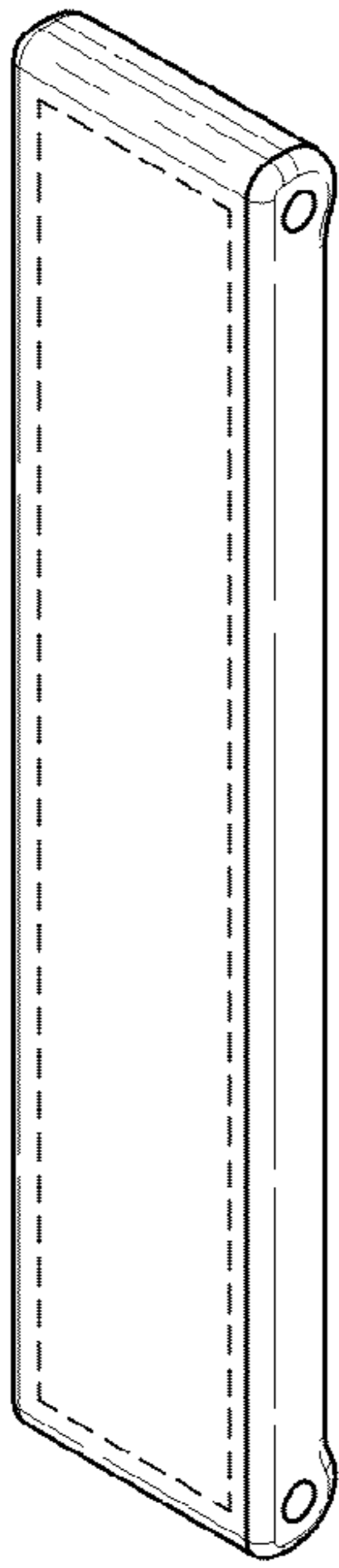


FIG-4

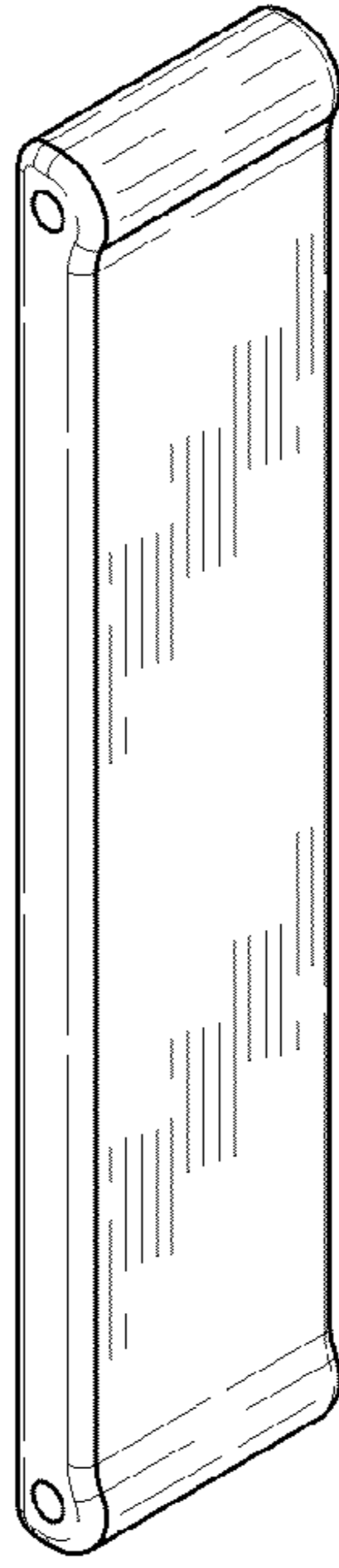


FIG-5

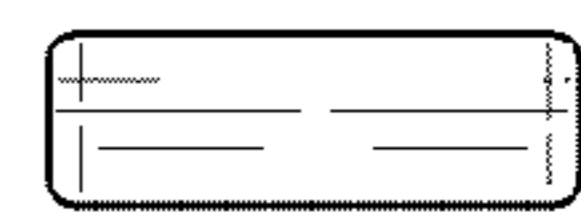


FIG-9

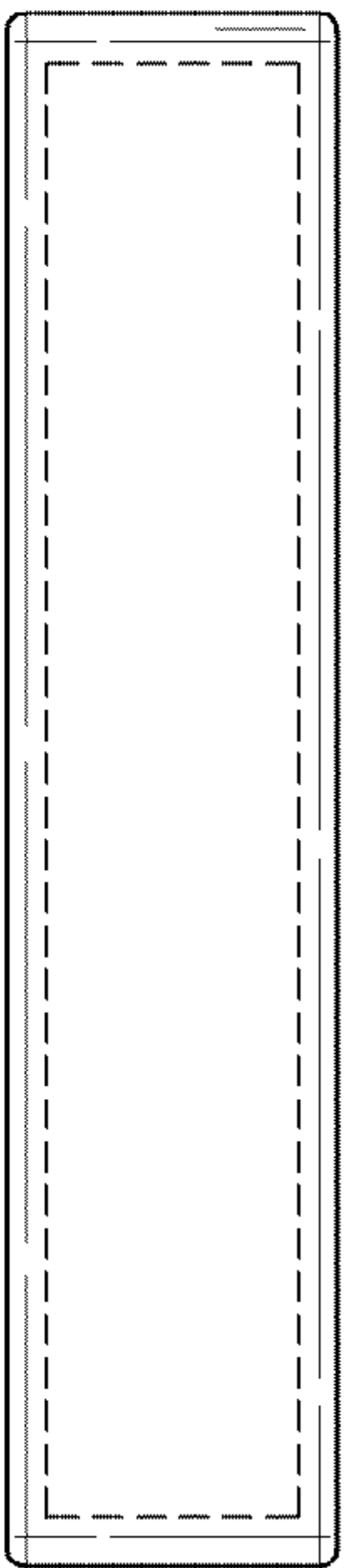


FIG-6

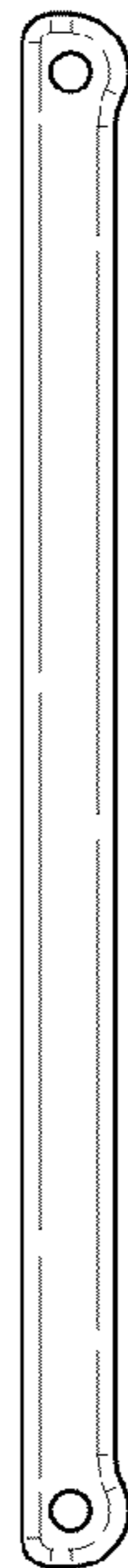


FIG-7

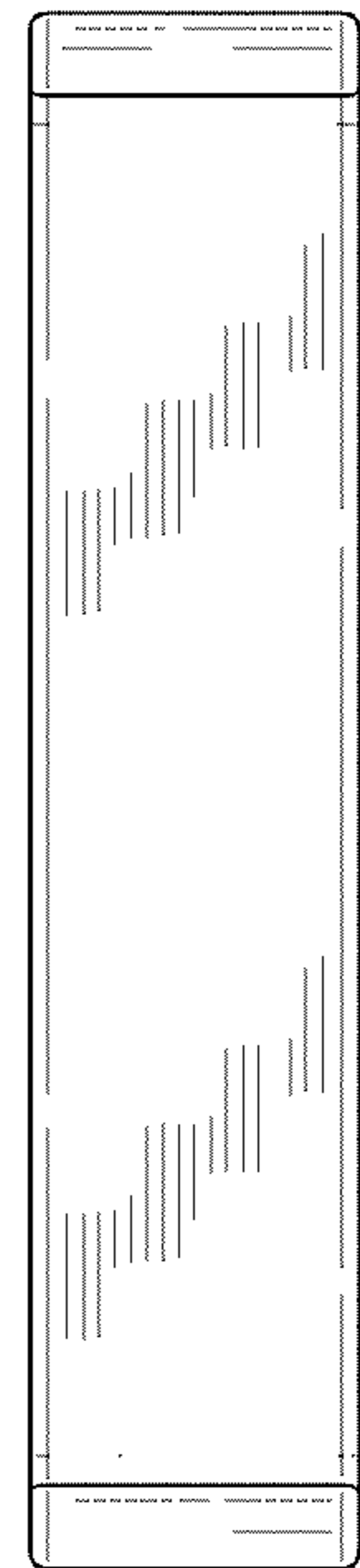


FIG-8