



US00D647760S

(12) **United States Design Patent**
Pearson

(10) **Patent No.:** **US D647,760 S**

(45) **Date of Patent:** **** Nov. 1, 2011**

(54) **MUG**

(76) **Inventor:** **Arthur Scott Pearson, Upland, CA**
(US)

(**) **Term:** **14 Years**

(21) **Appl. No.:** **29/367,188**

(22) **Filed:** **Aug. 4, 2010**

(51) **LOC (9) Cl.** **07-01**

(52) **U.S. Cl.** **D7/510**

(58) **Field of Classification Search** **D7/510,**
D7/511, 500, 532, 900; 215/121, 382, 388,
215/387; 220/674, 715, 713, 718, 592.16,
220/592.17, 709, 708; D9/551, 529
See application file for complete search history.

(56) **References Cited**

U.S. PATENT DOCUMENTS

D472,101 S *	3/2003	Janky	D7/532
D475,891 S *	6/2003	Bin	D7/510
D540,625 S *	4/2007	Sandberg	D7/608
D556,509 S *	12/2007	Bonini	D7/507
D571,153 S *	6/2008	Lopez	D7/511
D571,154 S *	6/2008	Pearson	D7/533

D588,936 S *	3/2009	Ioannides et al.	D9/776
D608,147 S *	1/2010	Sykes	D7/507
D622,546 S *	8/2010	Bodum	D7/510
D639,166 S *	6/2011	Carreno	D9/504
D640,094 S *	6/2011	Carlson et al.	D7/510
2006/0213912 A1 *	9/2006	Zaytoun	220/293

* cited by examiner

Primary Examiner — Cynthia Underwood

(74) *Attorney, Agent, or Firm* — Clement Cheng

(57) **CLAIM**

The ornamental design for a mug, as shown and described.

DESCRIPTION

FIG. 1 is a perspective view.

FIG. 2 is a front view.

FIG. 3 is a rear side view.

FIG. 4 is a left side view.

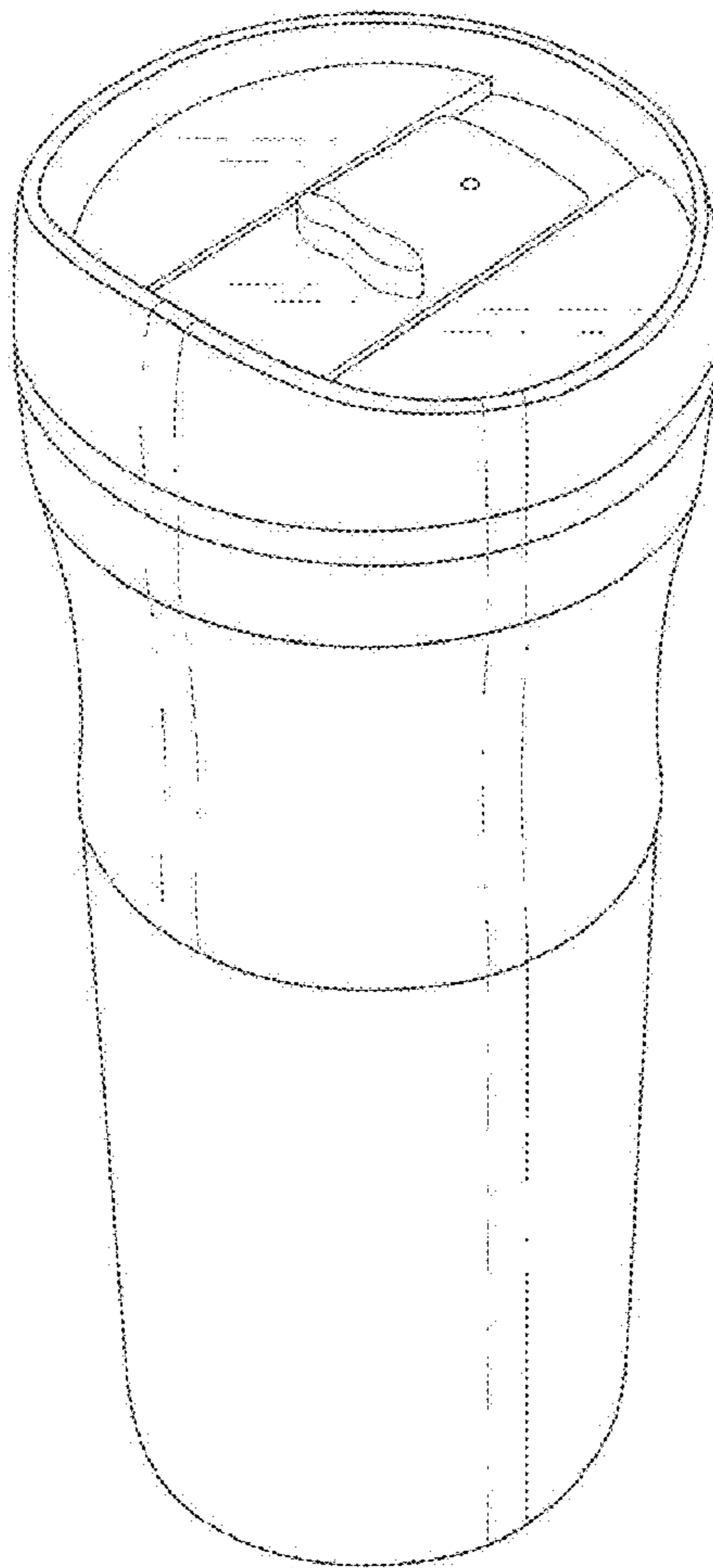
FIG. 5 is a right side view.

FIG. 6 is a top view; and,

FIG. 7 is a bottom view.

The broken line showing is for illustrative purposes only and forms no part of the claimed design.

1 Claim, 6 Drawing Sheets



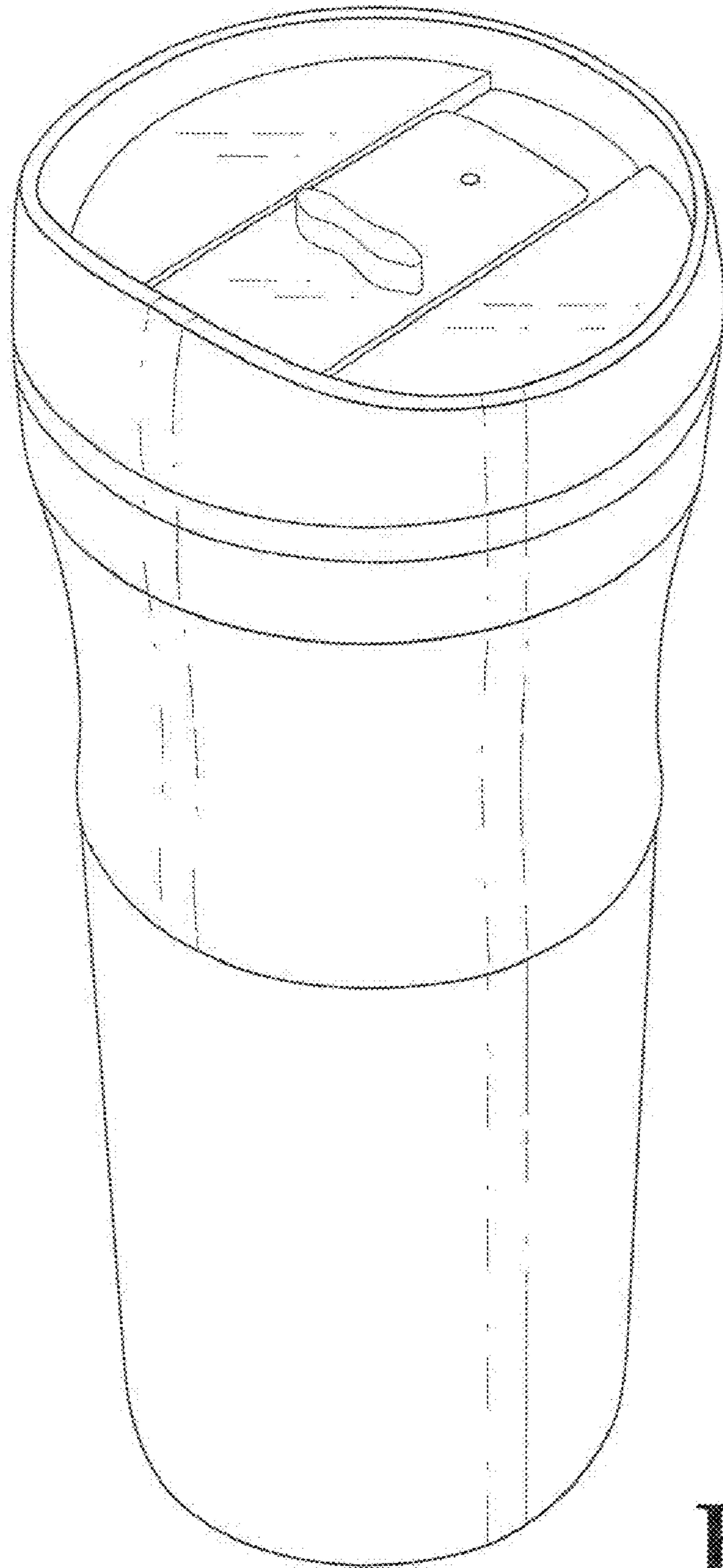


Fig. 1

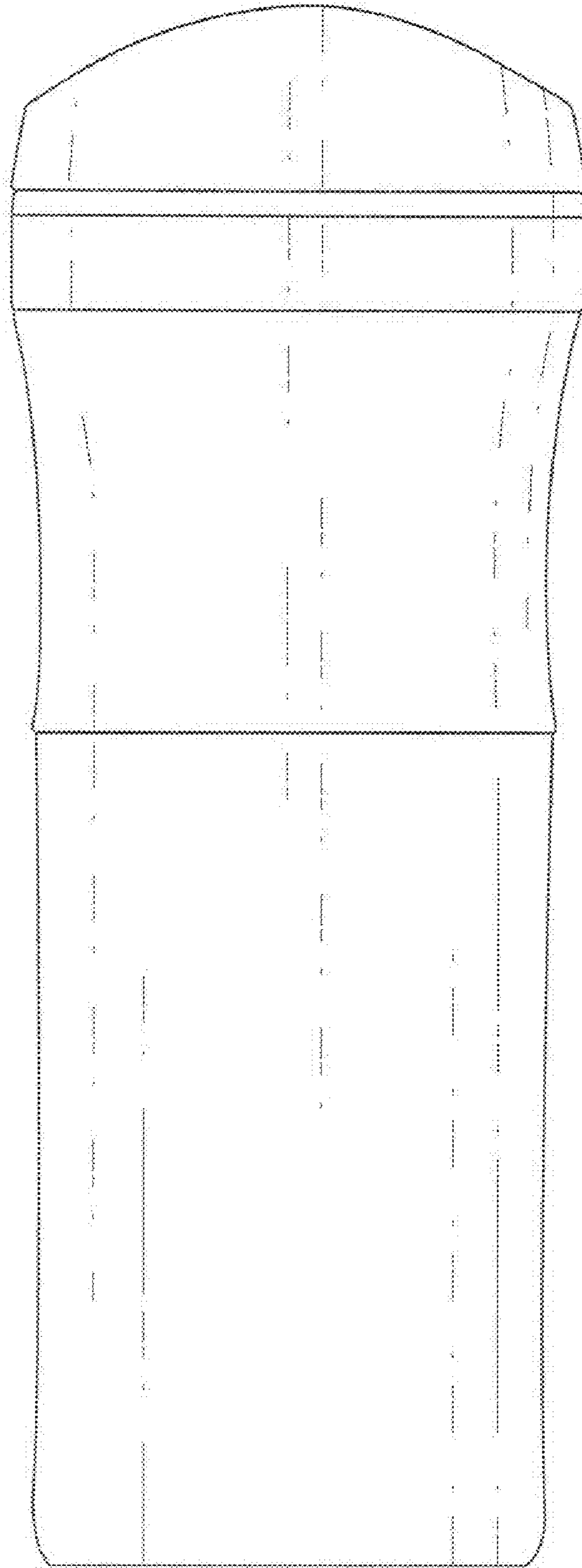


Fig. 2

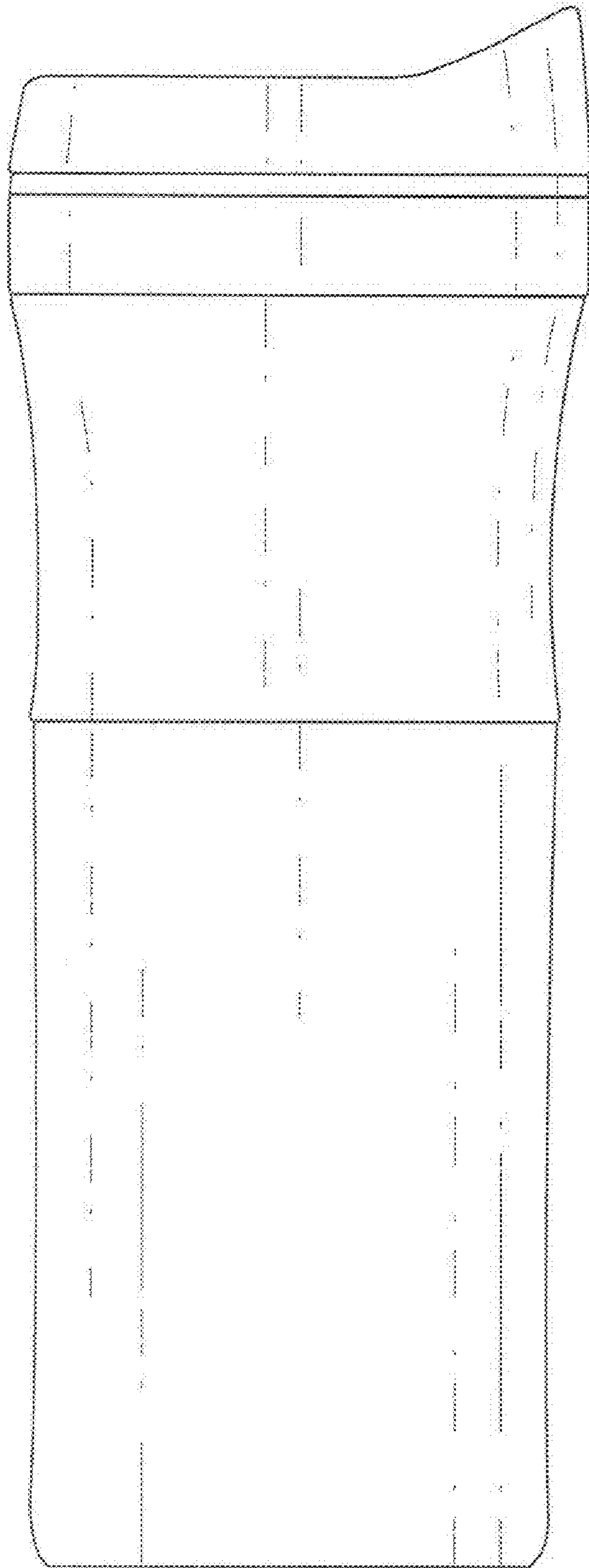


Fig. 3

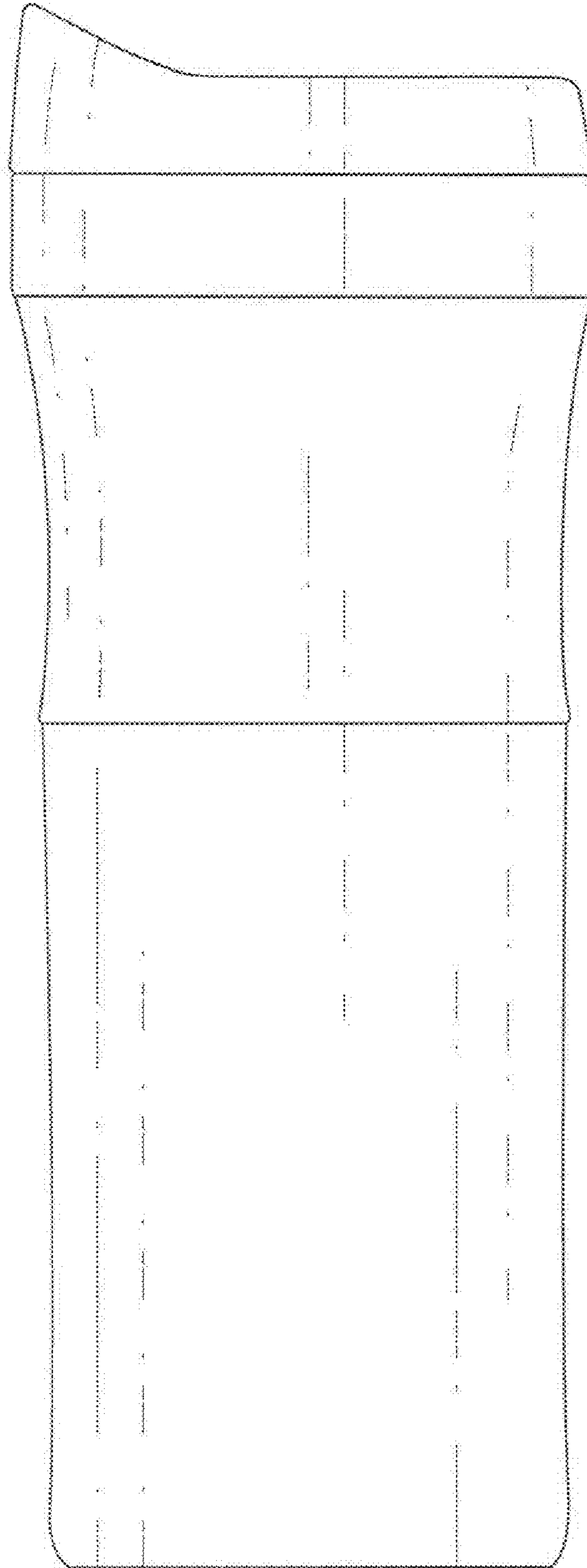


Fig. 4

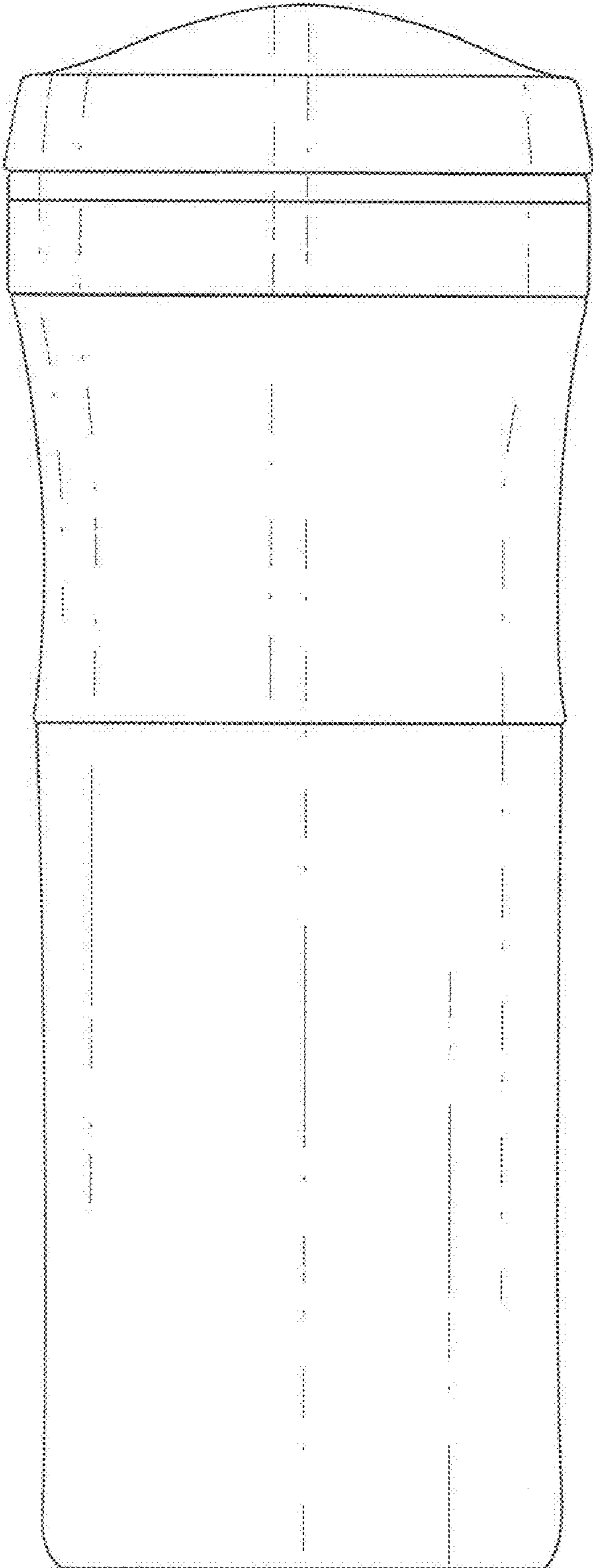


Fig. 5

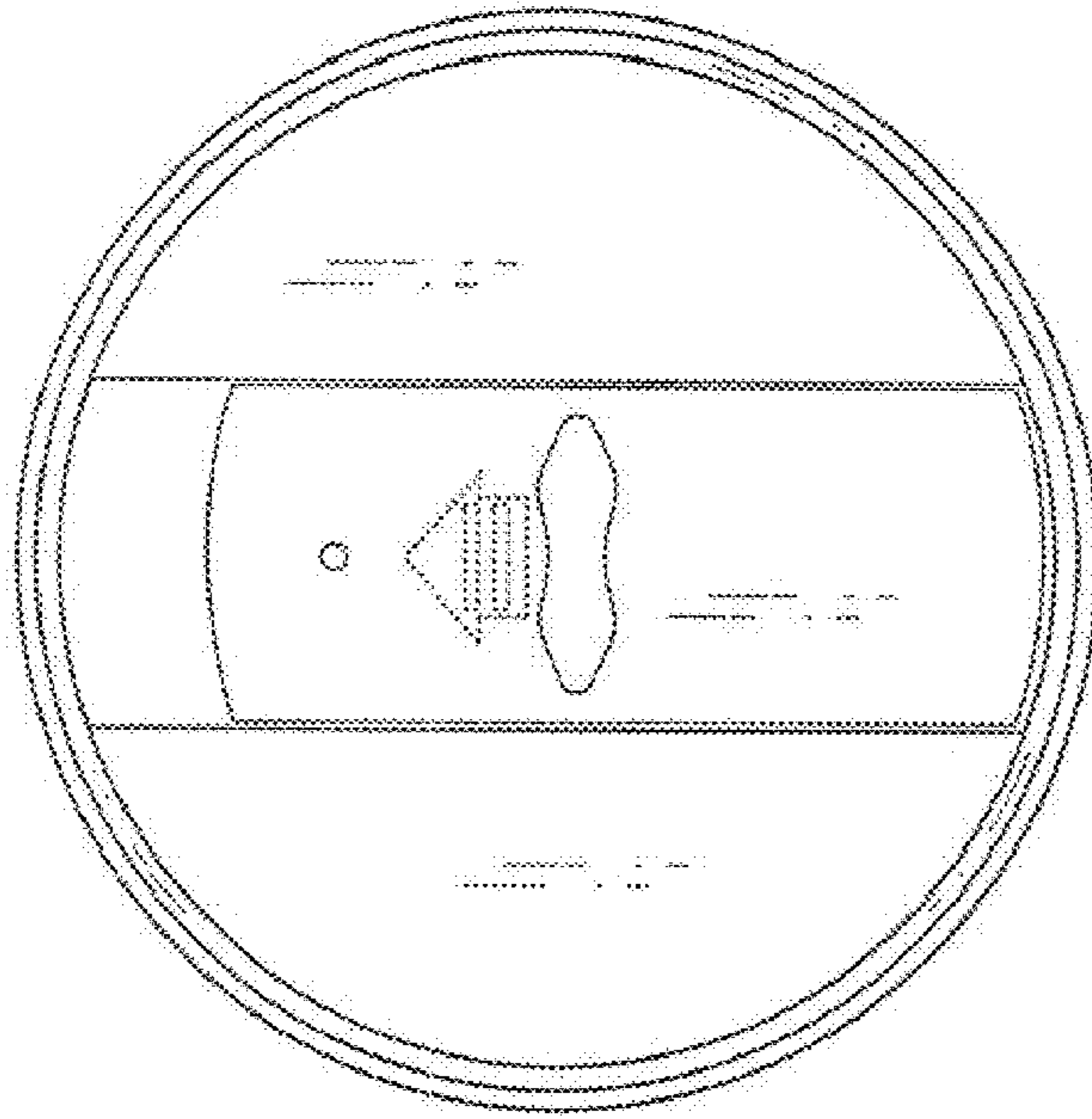


Fig. 6

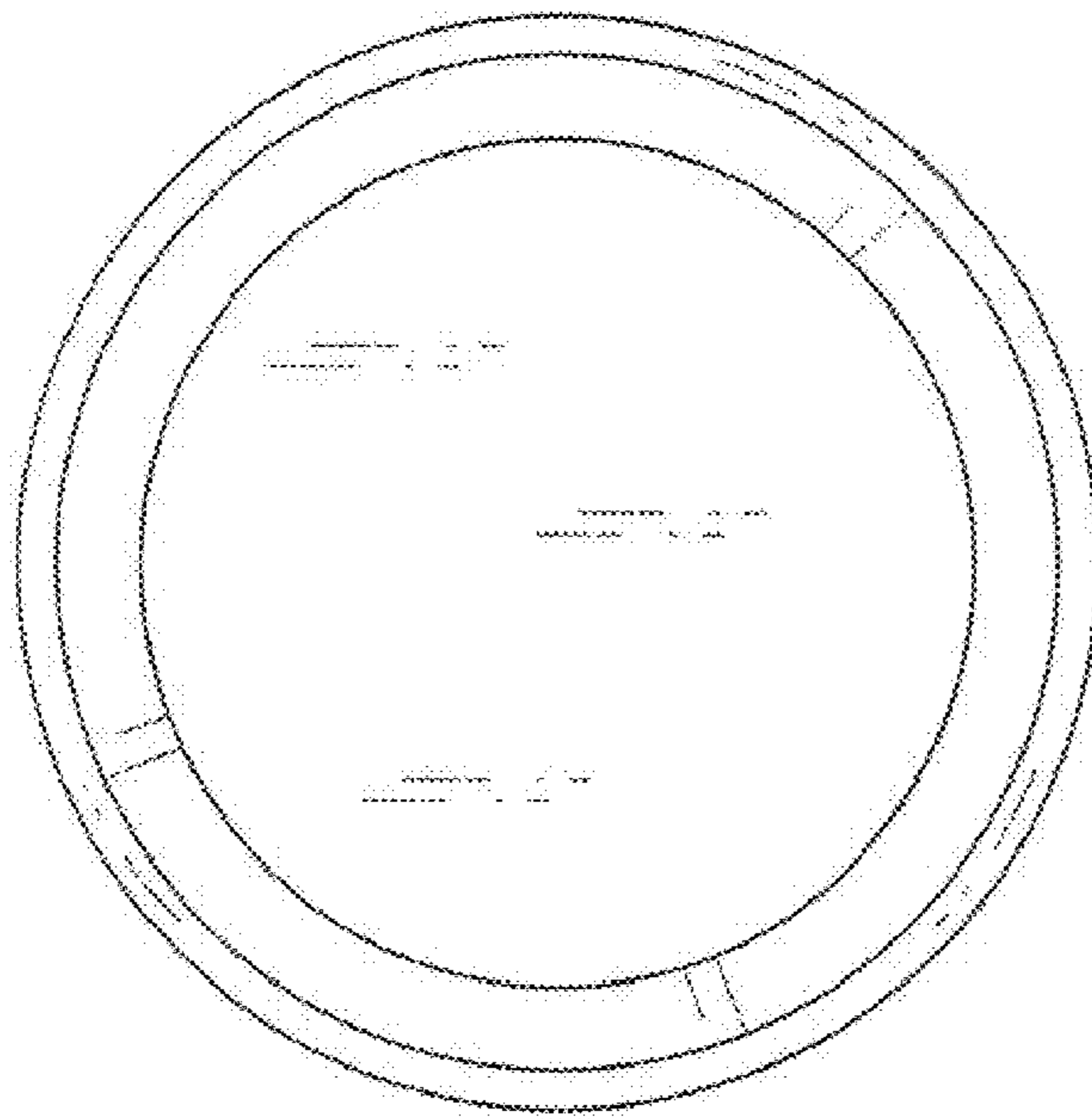


Fig. 7