



US00D647757S

(12) **United States Design Patent**  
**Junko**

(10) **Patent No.:** **US D647,757 S**  
(45) **Date of Patent:** **\*\* Nov. 1, 2011**

(54) **FLATWARE**

(75) Inventor: **Theodore Junko**, Manlius, NY (US)

(73) Assignee: **Oneida Ltd.**, Oneida, NY (US)

(\*\*) Term: **14 Years**

(21) Appl. No.: **29/392,766**

(22) Filed: **May 26, 2011**

(51) **LOC (9) Cl.** ..... **07-02**

(52) **U.S. Cl.** ..... **D7/401.2; D7/653**

(58) **Field of Classification Search** ..... D7/368,  
D7/395, 401.2, 642-646, 649-654, 660-664,  
D7/669, 675-676, 683, 688-692, 695-696;  
30/137, 141-143, 147-150, 322-327, 329,  
30/340, 342-344; 416/70 R

See application file for complete search history.

(56) **References Cited**

**U.S. PATENT DOCUMENTS**

D212,126 S *	8/1968	Comland	.....	D7/662
D220,976 S *	6/1971	Comland	.....	D7/662
D221,686 S *	8/1971	Lea	.....	D7/661
D222,923 S *	2/1972	Comland	.....	D7/662
D243,997 S *	4/1977	Zephries	.....	D7/653
D407,611 S *	4/1999	Shane-Schuldt	.....	D7/653
D416,451 S *	11/1999	Thompson	.....	D7/662
D431,759 S *	10/2000	Junko	.....	D7/653
D596,456 S *	7/2009	Coutts et al.	.....	D7/401.2

\* cited by examiner

*Primary Examiner* — Ricky Pham

(74) *Attorney, Agent, or Firm* — George R. McGuire; Bond Schoeneck & King

(57) **CLAIM**

The ornamental design for flatware, as shown and described.

**DESCRIPTION**

FIG. 1 is a top plan view of a new and ornamental design for flatware embodied as a spoon, with the spoon portion shown in phantom for illustrative purposes only and forming no part of the claimed design;

FIG. 2 is a bottom plan view thereof;

FIG. 3 is a side elevation view thereof, the opposite side being a mirror image;

FIG. 4 is an enlarged cross-sectional view taken along section line 4-4 of FIG. 1 to illustrate the exterior peripheral shape of the article at the cross-section and with the interior construction details being illustrated in phantom lines and not forming any part of the claimed design;

FIG. 5 is an enlarged cross-sectional view taken along section line 5-5 of FIG. 1 to illustrate the exterior peripheral shape of the article at the cross-section and with the interior construction details being illustrated in phantom lines and not forming any part of the claimed design; and,

FIG. 6 is an enlarged cross-sectional view taken along section line 6-6 of FIG. 1 to illustrate the exterior peripheral shape of the article at the cross-section and with the interior construction details being illustrated in phantom lines and not forming any part of the claimed design.

**1 Claim, 1 Drawing Sheet**

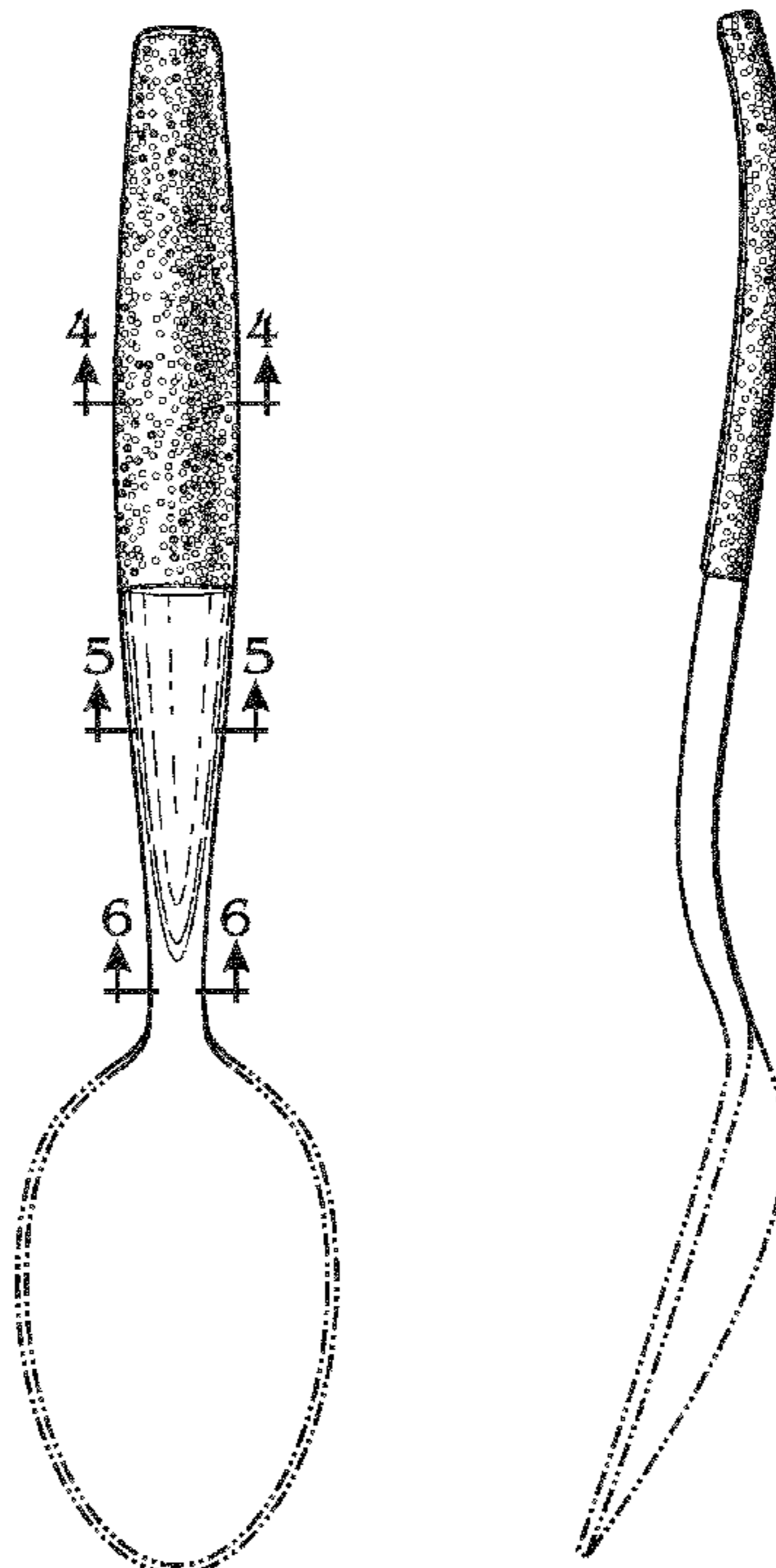




Fig. 3

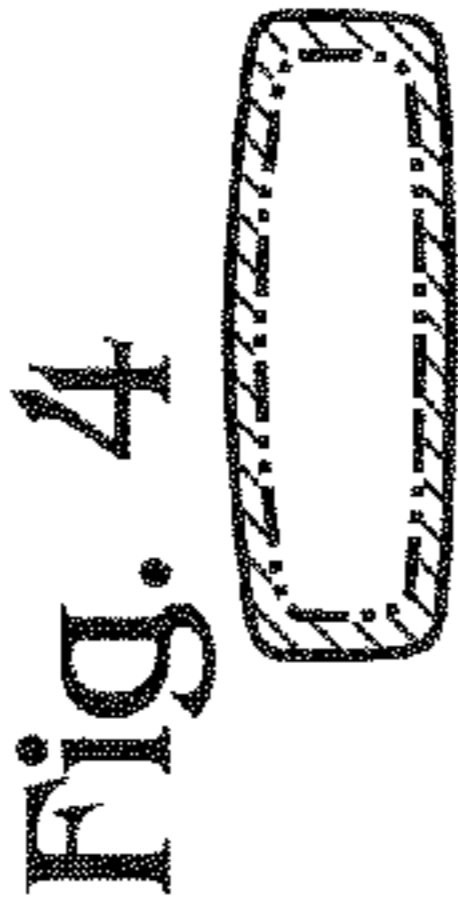


Fig. 4

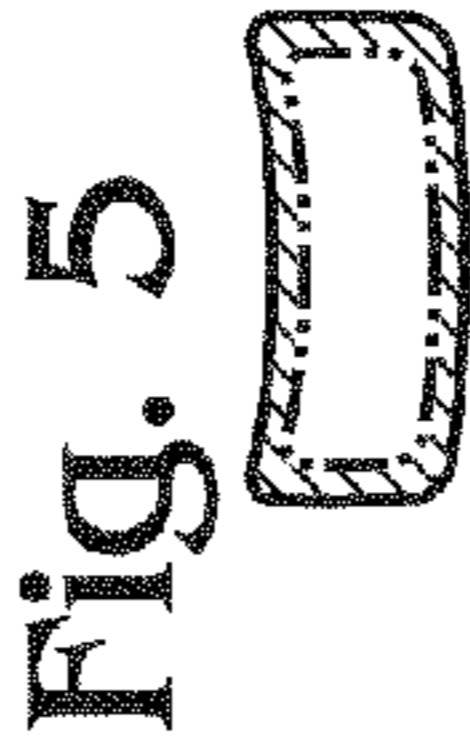


Fig. 5

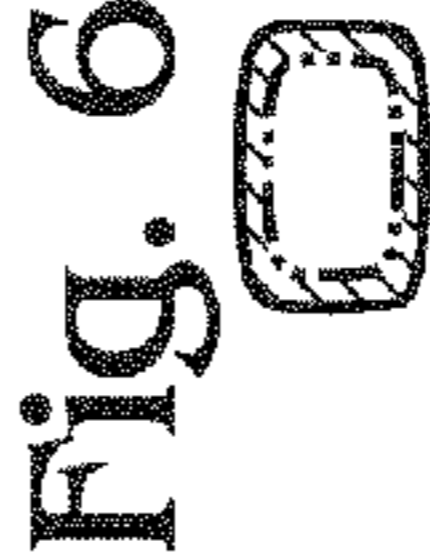


Fig. 6

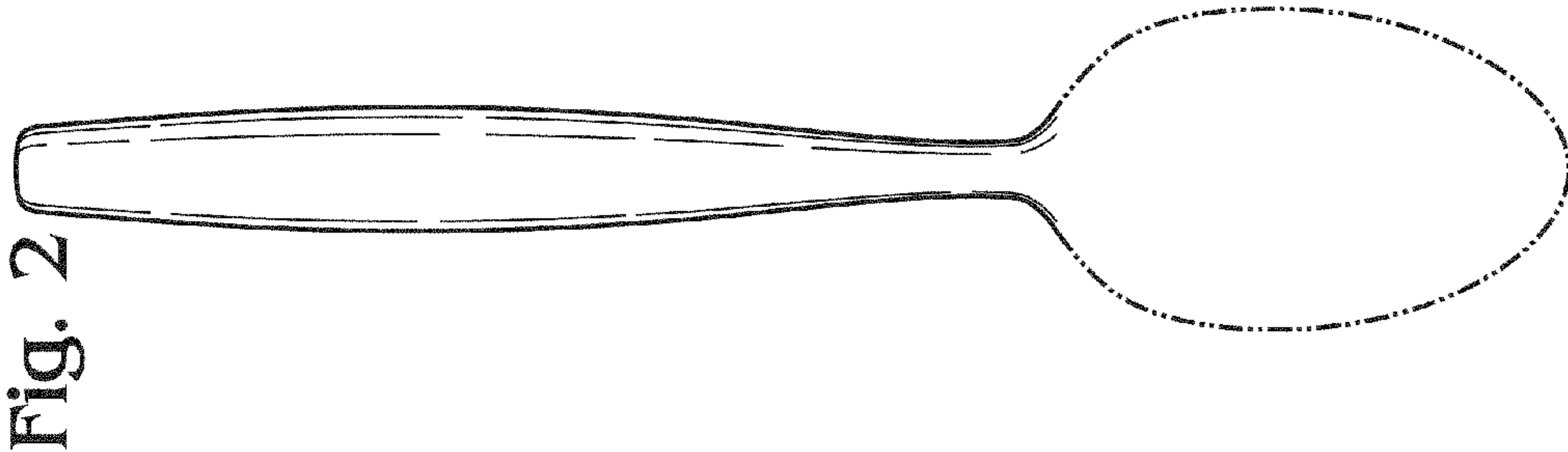


Fig. 2

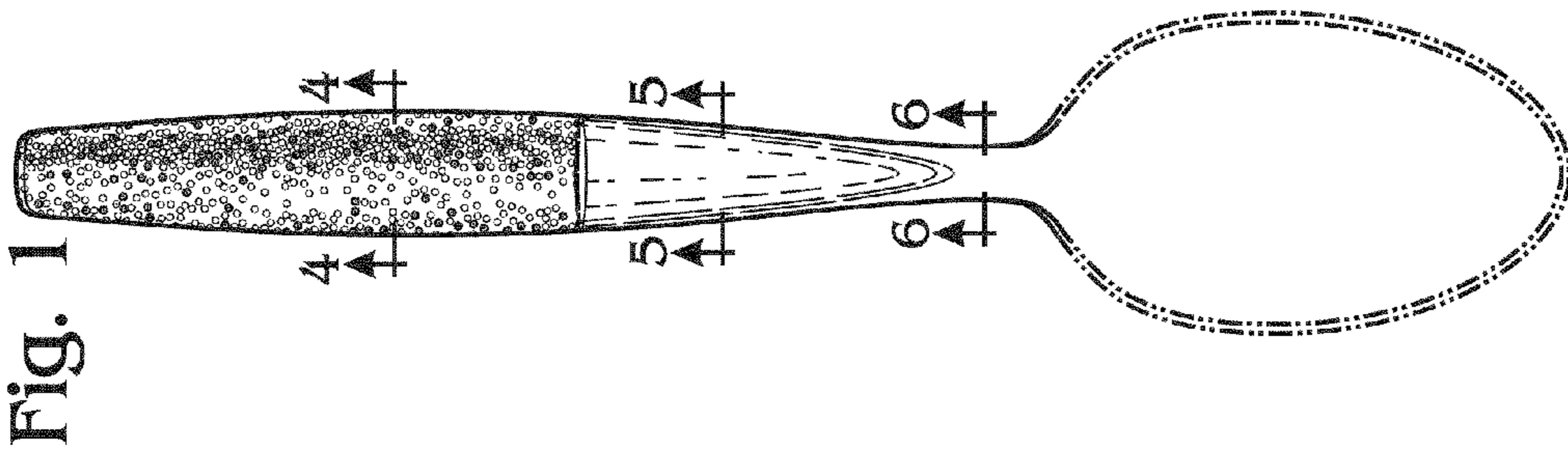


Fig. 1