



US00D647753S

(12) **United States Design Patent**
Lin

(10) **Patent No.:** **US D647,753 S**

(45) **Date of Patent:** **** Nov. 1, 2011**

(54) **CUP COVER**

(76) Inventor: **Shin-Sheng Lin**, Tainan (TW)

(**) Term: **14 Years**

(21) Appl. No.: **29/367,704**

(22) Filed: **Aug. 11, 2010**

(51) **LOC (9) Cl.** **07-02**

(52) **U.S. Cl.** **D7/392.1**

(58) **Field of Classification Search** D7/316,
D7/317, 391, 392, 392.1, 396.2, 509, 510,
D7/511, 629; D9/434, 435, 440, 444, 445,
D9/447, 449-450, 454, 503-504; 215/211,
215/200, 224, 228, 243; 220/254.7, 269,
220/270, 271, 700, 701, 703, 711, 713-715,
220/719

See application file for complete search history.

(56) **References Cited**

U.S. PATENT DOCUMENTS

D485,759 S * 1/2004 Janky et al. D9/449
D486,997 S * 2/2004 Janky D7/531

D504,796 S * 5/2005 Schuler et al. D7/392.1
D552,926 S * 10/2007 Yelland D7/392.1
D560,435 S * 1/2008 Meehan D7/510
D584,566 S * 1/2009 Fuller D7/396.2
D622,546 S * 8/2010 Bodum D7/510

* cited by examiner

Primary Examiner — Cynthia M Chin

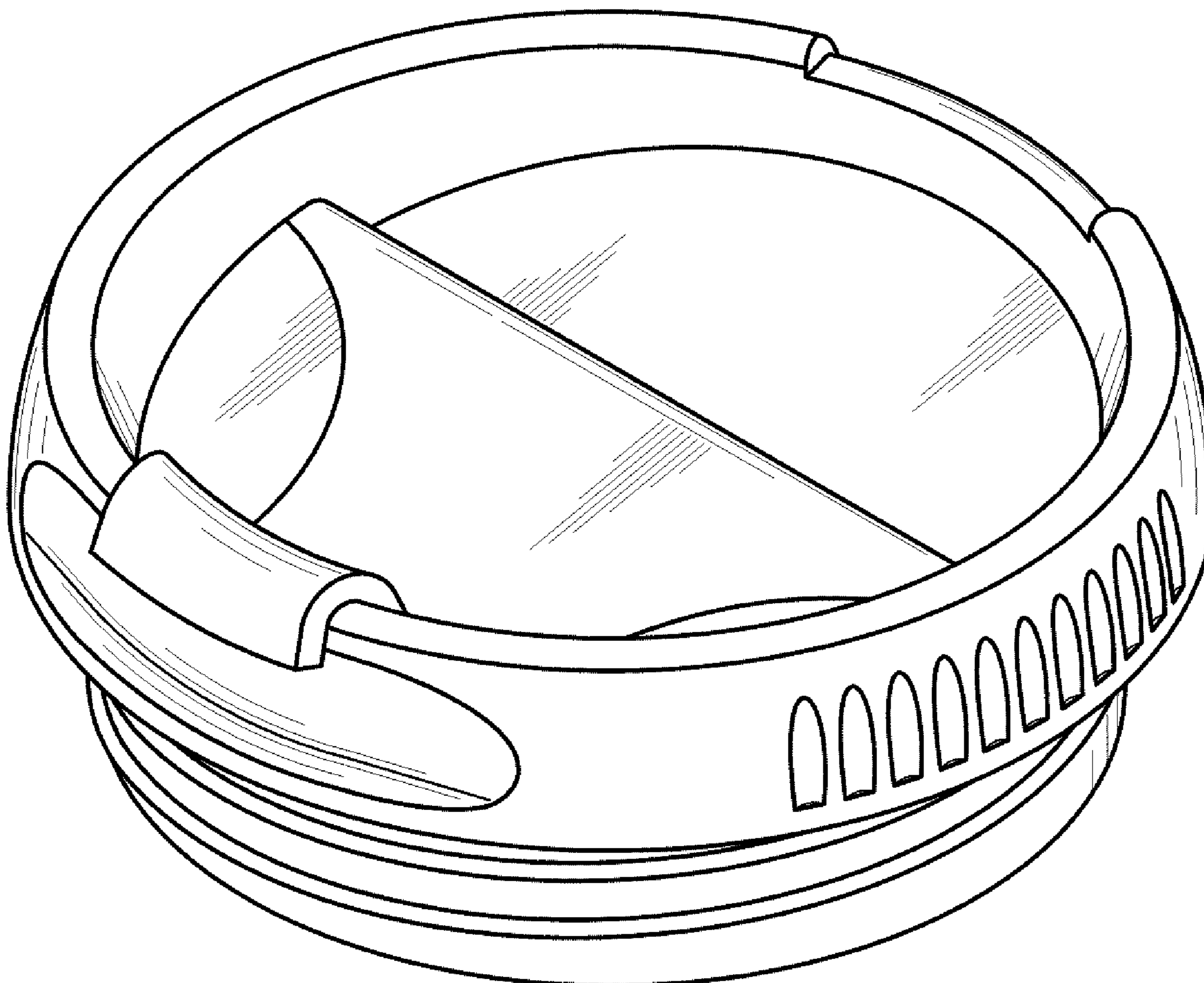
(57) **CLAIM**

The ornamental design for a cup cover, as shown and described.

DESCRIPTION

FIG. 1 is a perspective view of a cup cover showing my design;
FIG. 2 is a front elevational view thereof;
FIG. 3 is a rear elevational view thereof;
FIG. 4 is a left side elevational view thereof;
FIG. 5 is a right side elevational view thereof; and,
FIG. 6 is a top plan view thereof.

1 Claim, 4 Drawing Sheets



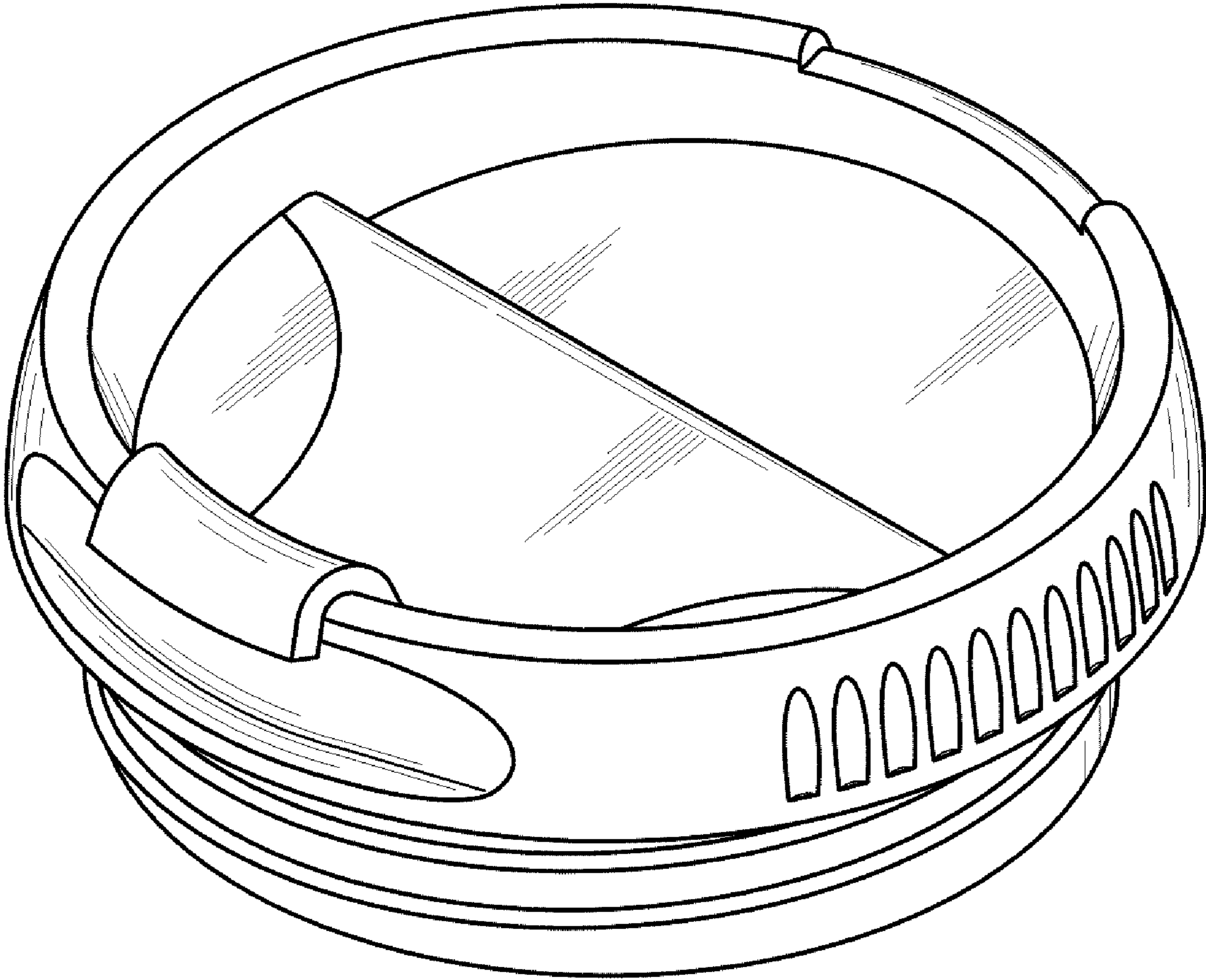


FIG. 1

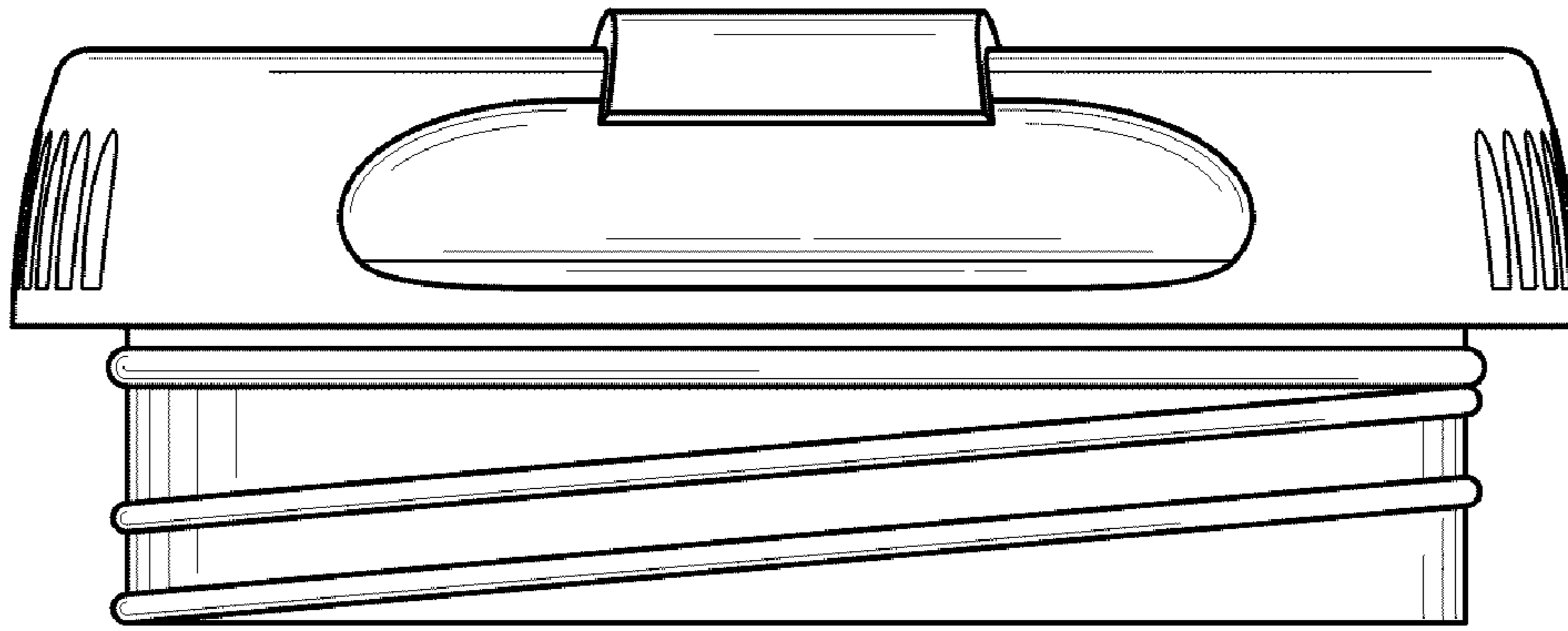


FIG. 2

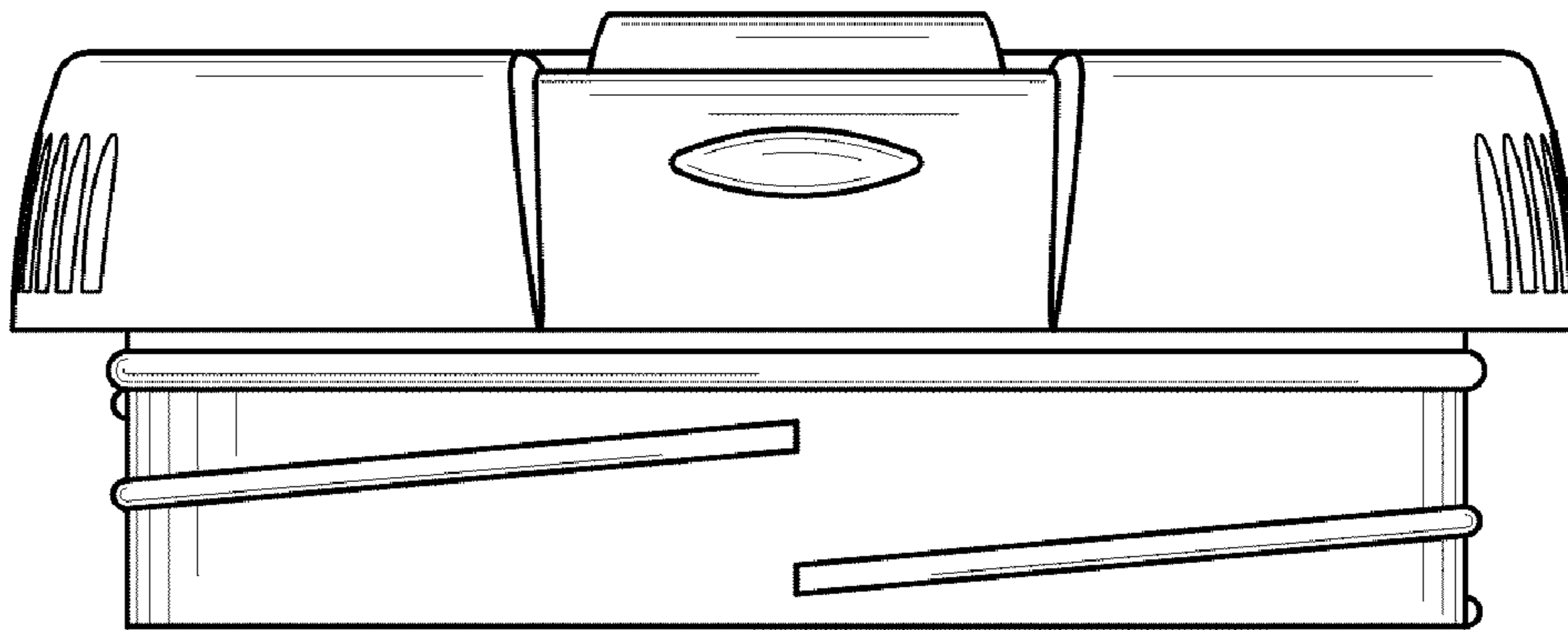


FIG. 3

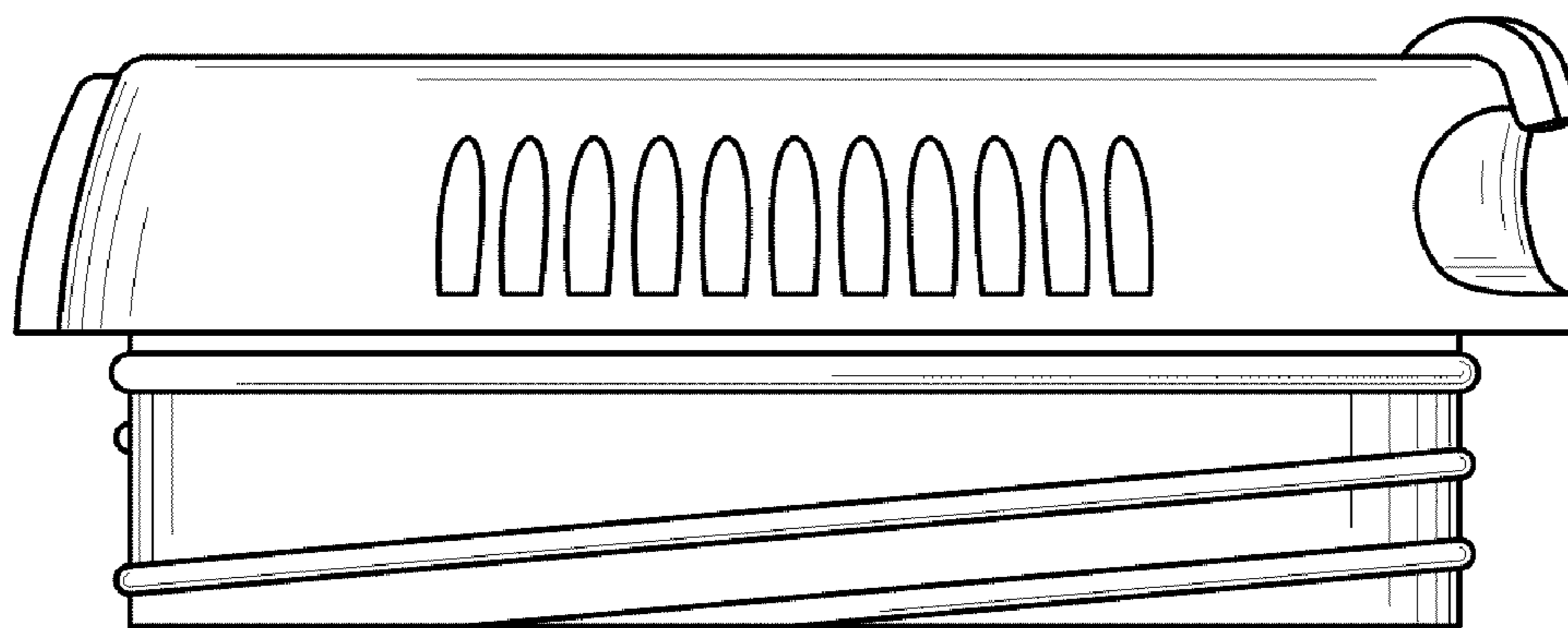


FIG. 4

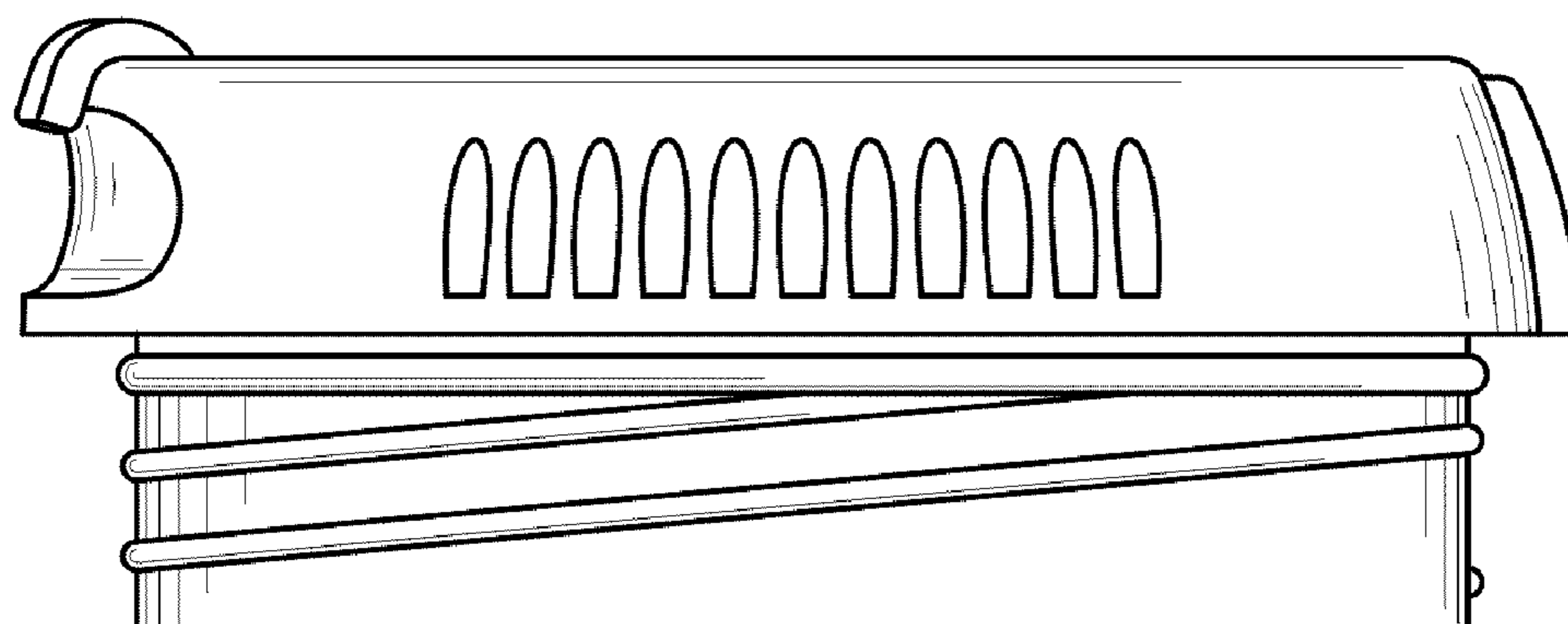


FIG. 5

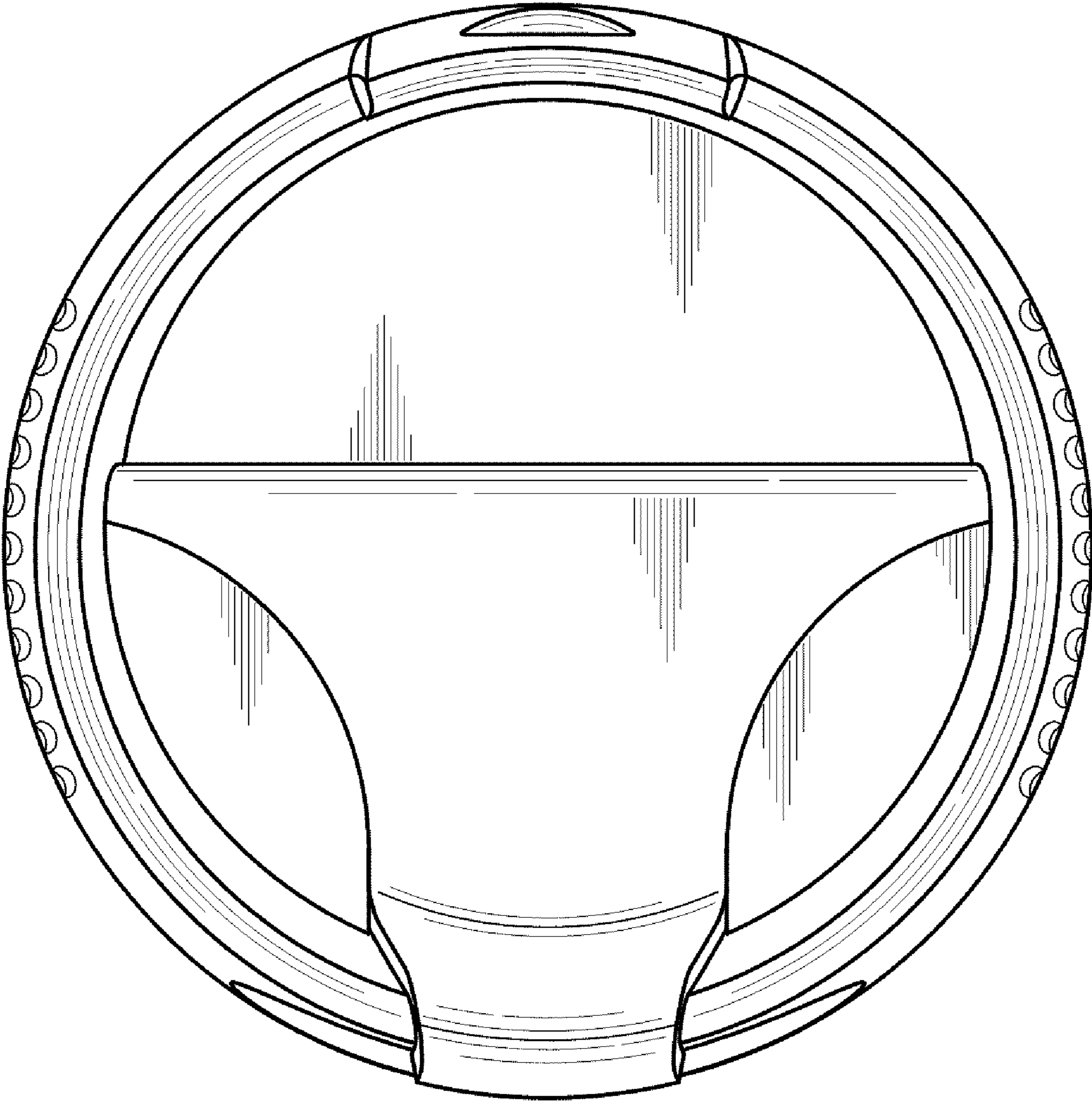


FIG.6