



US00D647752S

(12) **United States Design Patent**
Curtis et al.

(10) **Patent No.:** **US D647,752 S**
(45) **Date of Patent:** **** Nov. 1, 2011**

(54) **SLOW COOKER**

FOREIGN PATENT DOCUMENTS

(75) Inventors: **Brent Aaron Curtis**, Anderson, SC (US); **Daniel Hartly Green**, Nashville, TN (US); **Charles David Baker**, Anderson, SC (US); **Benjamin Paul Shrader**, Anderson, SC (US)

CA 107083 10/2005
(Continued)

(73) Assignee: **Electrolux Home Products, Inc.**, Charlotte, NC (US)

OTHER PUBLICATIONS

<http://www.crock-pot.com/Product.aspx?cid=113&pid=7164>, Programmable Slow Cookers—SCVP600-SS, 1 sheet, dated Jan. 13, 2011.

(**) Term: **14 Years**

(Continued)

(21) Appl. No.: **29/386,857**

Primary Examiner — Ricky Pham

(22) Filed: **Mar. 4, 2011**

(74) *Attorney, Agent, or Firm* — Banner & Witcoff, Ltd.

(51) **LOC (9) Cl.** **07-02**

(52) **U.S. Cl.** **D7/357; D7/354**

(58) **Field of Classification Search** D7/323,
D7/329–331, 339, 346–347, 350.1–350.4,
D7/353–367, 391, 393, 395, 402, 406, 538,
D7/542, 560; 99/324–325, 331–332, 337–340,
99/369, 400–418, 422, 425–426, 444, 483;
126/37 R, 261, 374.1, 378.1; 206/501–505,
206/507–508; 219/400, 405, 429–442, 620–624,
219/725, 730–735; 220/203.05, 203.07,
220/203.09, 298, 315–316, 573.1–573.5,
220/912; 426/438, 441

(57) **CLAIM**

The ornamental design for a slow cooker, as shown and described.

See application file for complete search history.

DESCRIPTION

(56) **References Cited**

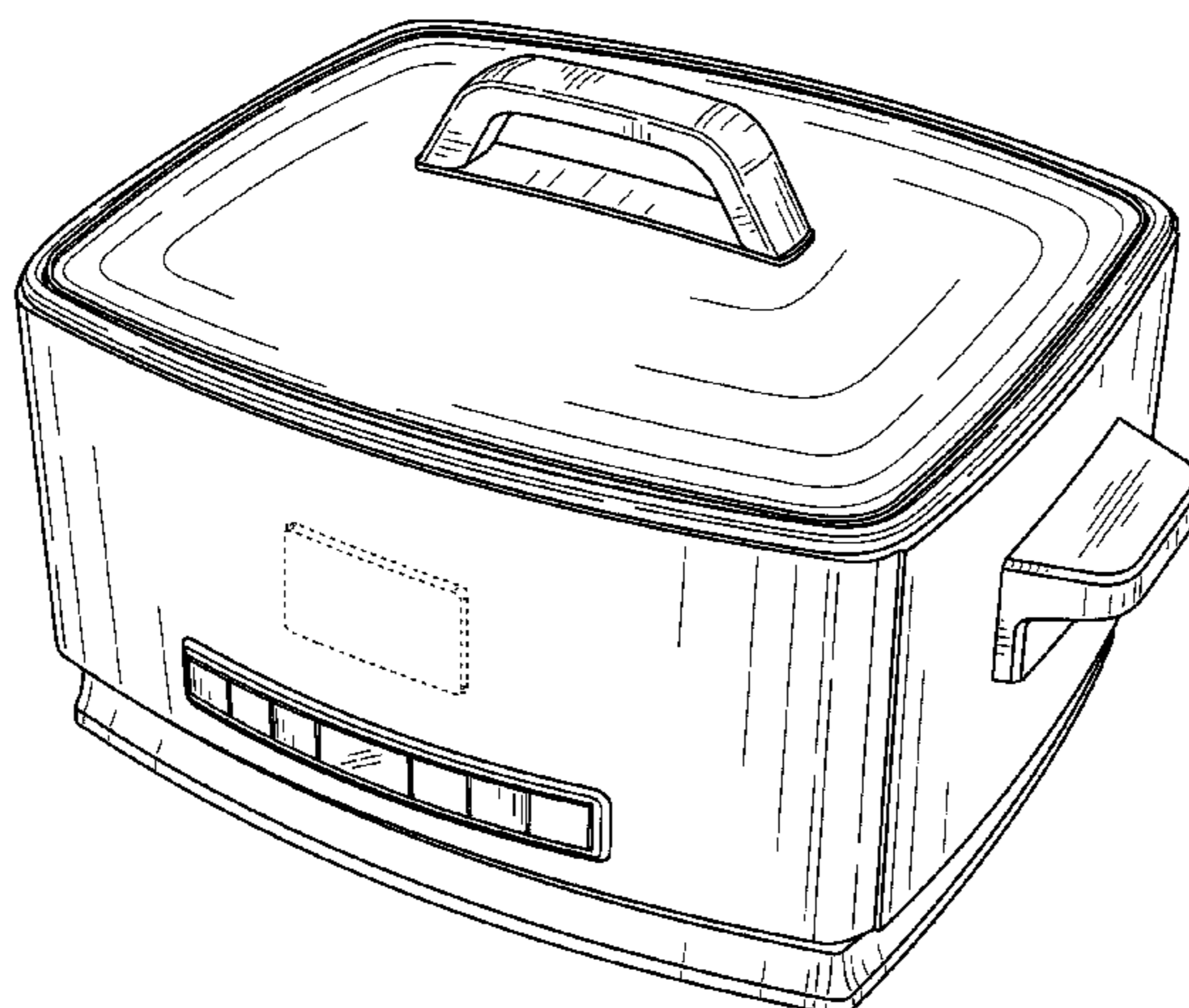
U.S. PATENT DOCUMENTS

| | | | | |
|-----------|-----|---------|-----------------|---------|
| 2,147,319 | A | 2/1939 | Smith | |
| D115,168 | S * | 6/1939 | Hadley | D7/360 |
| 2,266,901 | A | 12/1941 | Parsons | |
| 2,371,975 | A * | 3/1945 | Parsons | 219/433 |
| D152,042 | S * | 12/1948 | Sundberg et al. | D7/360 |
| D169,415 | S | 4/1953 | Budlane et al. | |
| D169,576 | S * | 5/1953 | Budlane et al. | D7/360 |
| D360,804 | S * | 8/1995 | Hamada et al. | D7/354 |
| D366,592 | S | 1/1996 | Cesaroni et al. | |
| D412,263 | S * | 7/1999 | Jozancy | D7/354 |
| D429,596 | S | 8/2000 | Hlava et al. | |
| D433,869 | S * | 11/2000 | Wong et al. | D7/360 |

(Continued)

FIG. 1 is a perspective view of a slow cooker showing a first embodiment of our new design;
FIG. 2 is a front view thereof;
FIG. 3 is a rear view thereof;
FIG. 4 is a right side view thereof;
FIG. 5 is a left side view thereof;
FIG. 6 is a top plan view thereof;
FIG. 7 is a bottom view thereof;
FIG. 8 is a perspective view of a slow cooker showing a second embodiment of our new design with the same structure as the first embodiment but without disclaimed regions and without shading;
FIG. 9 is a front view thereof;
FIG. 10 is a rear view thereof;
FIG. 11 is a right side view thereof;
FIG. 12 is a left side view thereof;
FIG. 13 is a top plan view thereof; and,
FIG. 14 is a bottom plan view thereof.
The broken line showing of various regions in FIGS. 1-7 is for environmental purposes only and forms no part of the claimed design.

1 Claim, 10 Drawing Sheets



U.S. PATENT DOCUMENTS

D434,940 S 12/2000 Hlava et al.
 6,234,067 B1* 5/2001 Schmidt 99/426
 6,274,847 B1* 8/2001 Hlava et al. 219/433
 D451,335 S 12/2001 Rossman
 6,653,602 B2 11/2003 Li
 6,927,365 B2 8/2005 Li
 D511,643 S 11/2005 Ball et al.
 D522,308 S 6/2006 Ball et al.
 D542,095 S * 5/2007 Orent et al. D7/560
 D549,517 S 8/2007 Moran
 7,339,140 B2* 3/2008 Tidey 219/429
 D575,578 S 8/2008 Ball
 D575,579 S 8/2008 Ball
 D620,744 S 8/2010 Rose
 D620,746 S * 8/2010 Hsiao et al. D7/362
 2004/0079747 A1* 4/2004 Wang 219/438
 2007/0210060 A1 9/2007 Lee
 2007/0221651 A1 9/2007 Kristina et al.

FOREIGN PATENT DOCUMENTS

CA 107084 3/2006
 CA 119764 11/2007
 CA 126741 1/2009
 CA 126746 1/2009
 CA 135441 5/2010
 CN 300860839 12/2008

CN 300915204 4/2009
 CN 300973325 8/2009
 CN 300996056 9/2009

OTHER PUBLICATIONS

<http://www.crock-pot.com/Products.aspx?cid=113&scid=71>,
 Crock-Pot Programmable Slow Cookers, 2 sheets, dated Jan. 13,
 2011.
<http://www.crock-pot.com/Product.aspx?cid=113&pid=415>, Pro-
 grammable Slow Cookers—SCVT650-PS, 1 sheet, dated Jan. 13,
 2011.
http://www.cuisinart.com/products/slow_cookers_rice_cookers/psc-650.html, 1 sheet, dated Jan. 13, 2011.
<http://www.crock-pot.com/Product.aspx?cid=113&pid=7474>,
 Crock-Pot Cook & Carry Slow Cooker, 1 sheet, dated Jan. 13, 2011.
<http://www.crock-pot.com/Product.aspx?cid=1138&pid=7552>,
 Crock-Pot, Designer Series Smart-Pot Programmable Slow Cooker,
 1 sheet, dated Jan. 13, 2011.
<http://www.crock-pot.com/Products.aspx?cid=113&scid=72>,
 Crock-Pot Cook & Curry Slow Cookers, 1 sheet, dated Jan. 13, 2011.
<http://www.amazon.com/Hamilton-Beach-Forget-6-Quart-Programmable/dp/B001AO2PX...>, 1 sheet, dated Jan. 13, 2011.
http://ecx.images-amazon.com/images/I/41eSETzohol._SS500_.jpg, 1 sheet, dated Jan. 13, 2011.
<http://www.kitchenaid.com/flash.cmd?/>, 7-qt. Slow Cooker, 1 sheet,
 dated Jan. 13, 2011.
<http://www.brevilleusa.com/cooking/7q-slow-cooker.html>, 1 sheet,
 dated Jan. 13, 2011.

* cited by examiner

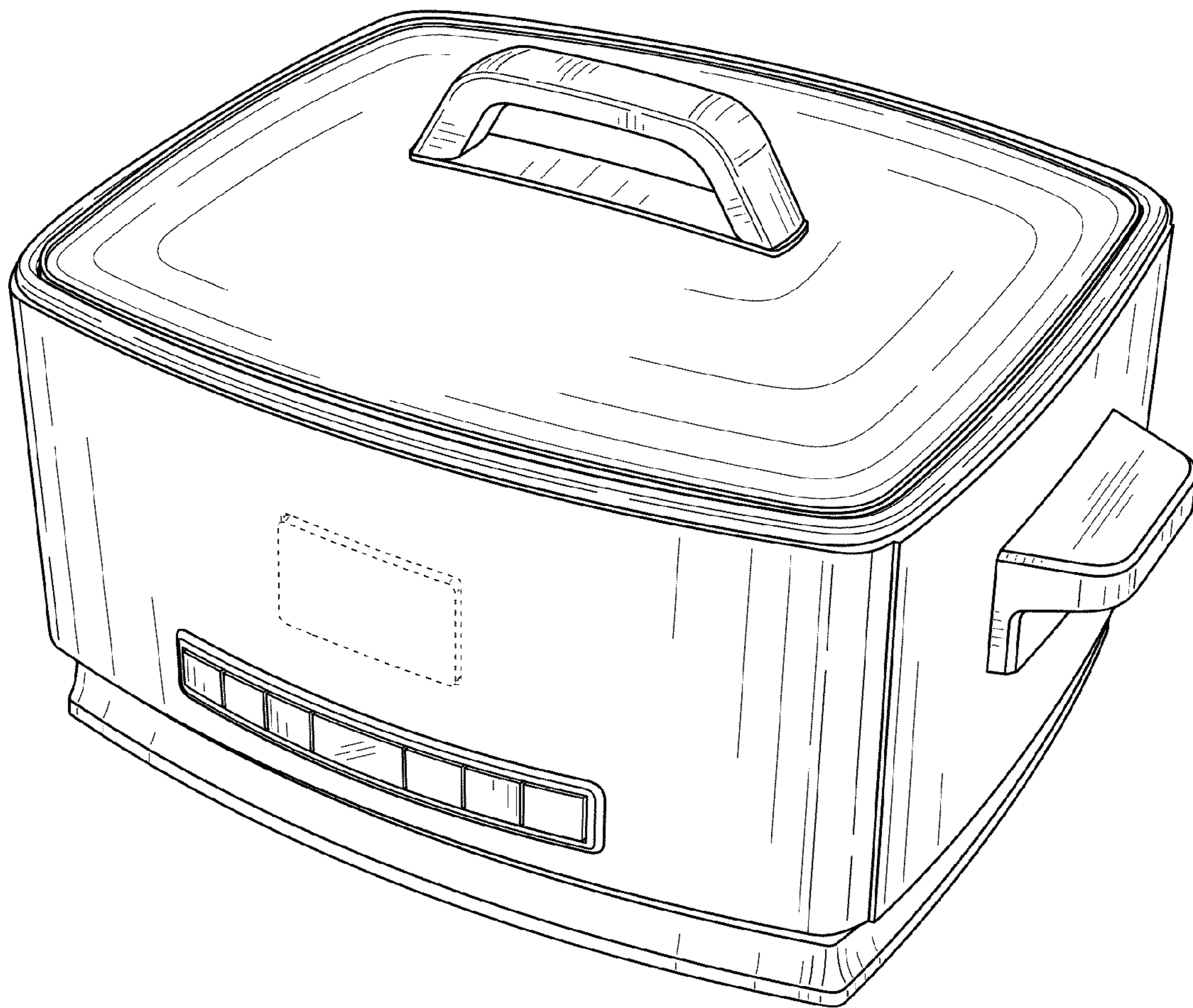


FIG. 1

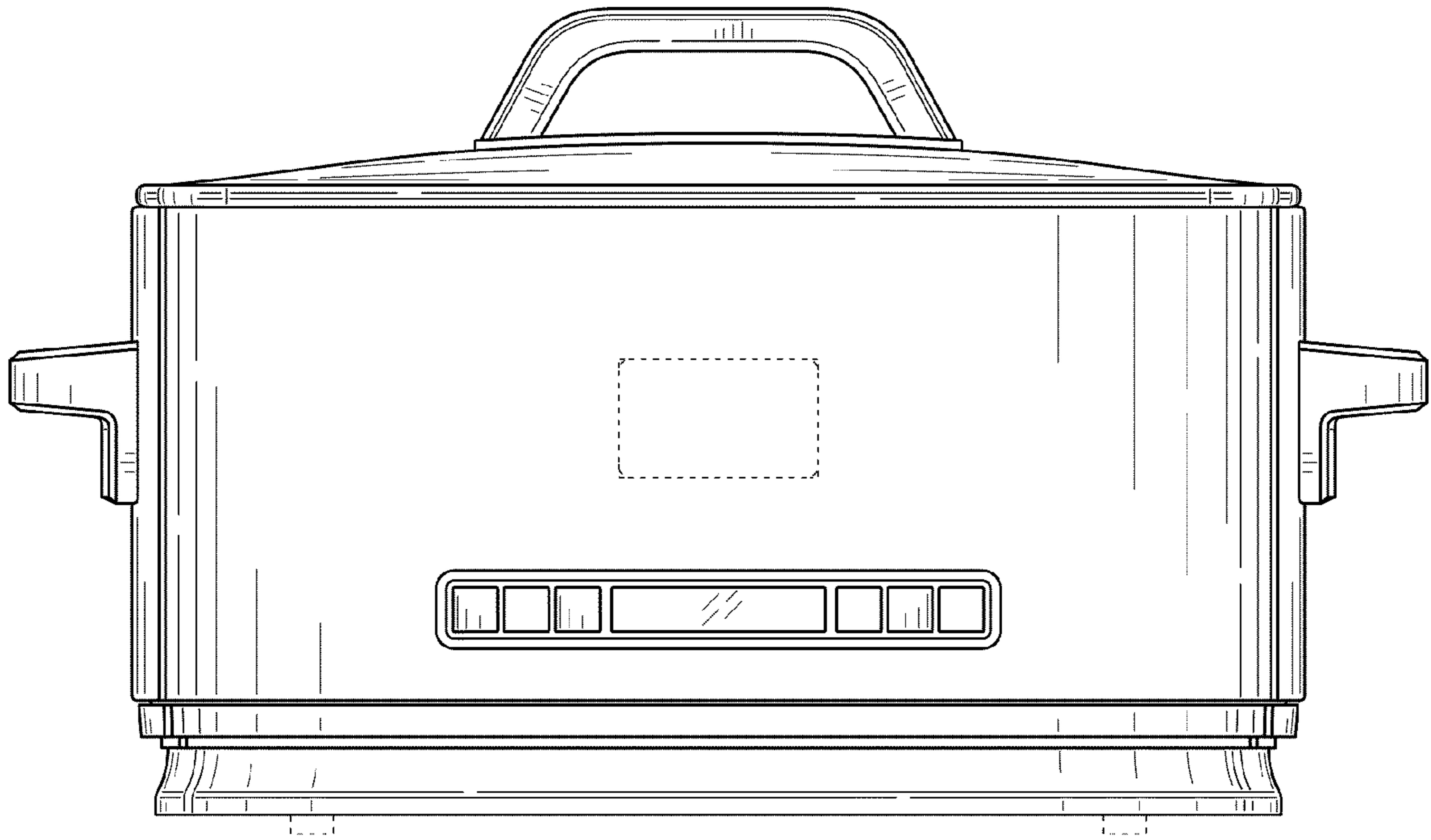


FIG. 2

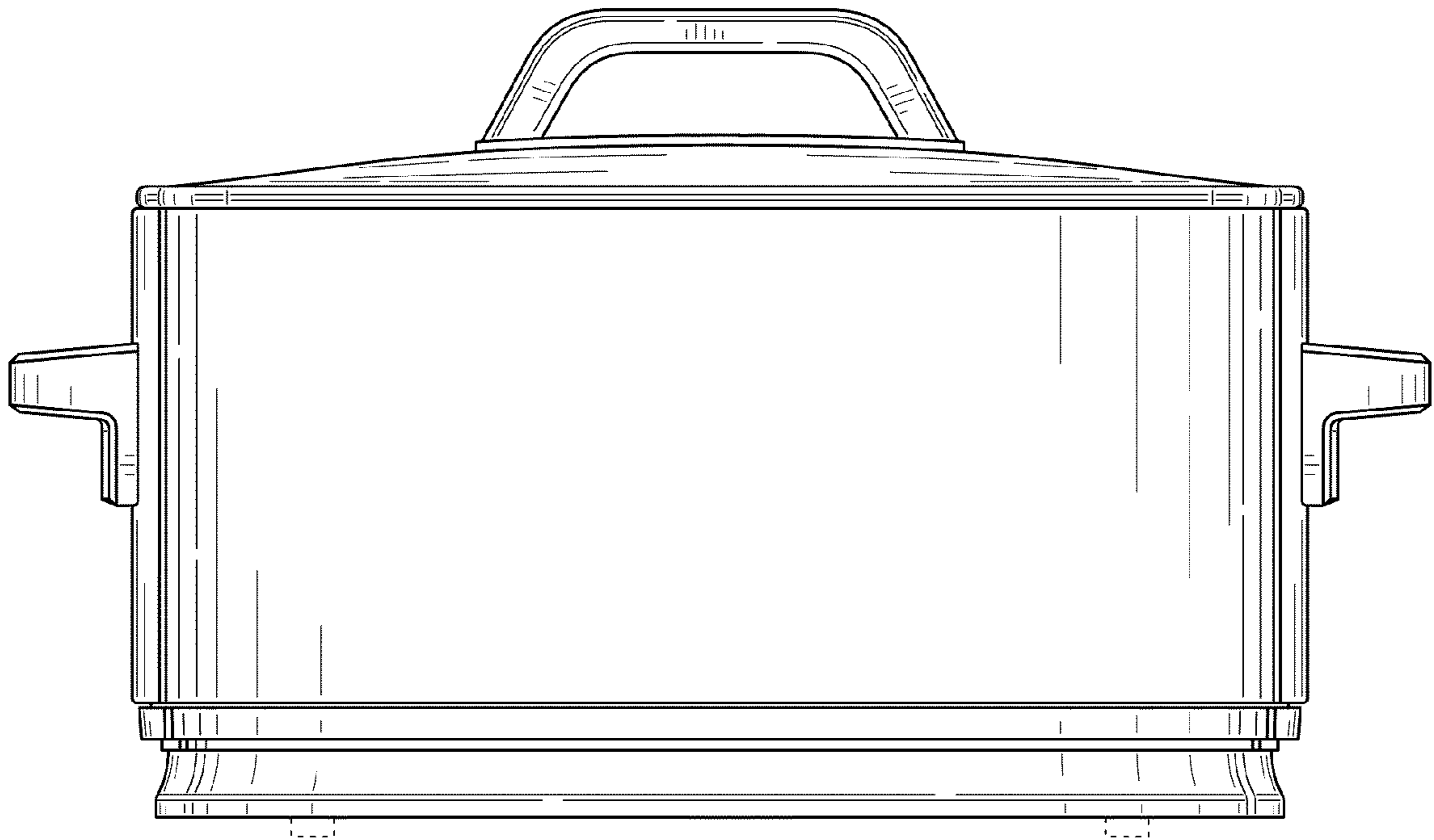


FIG. 3

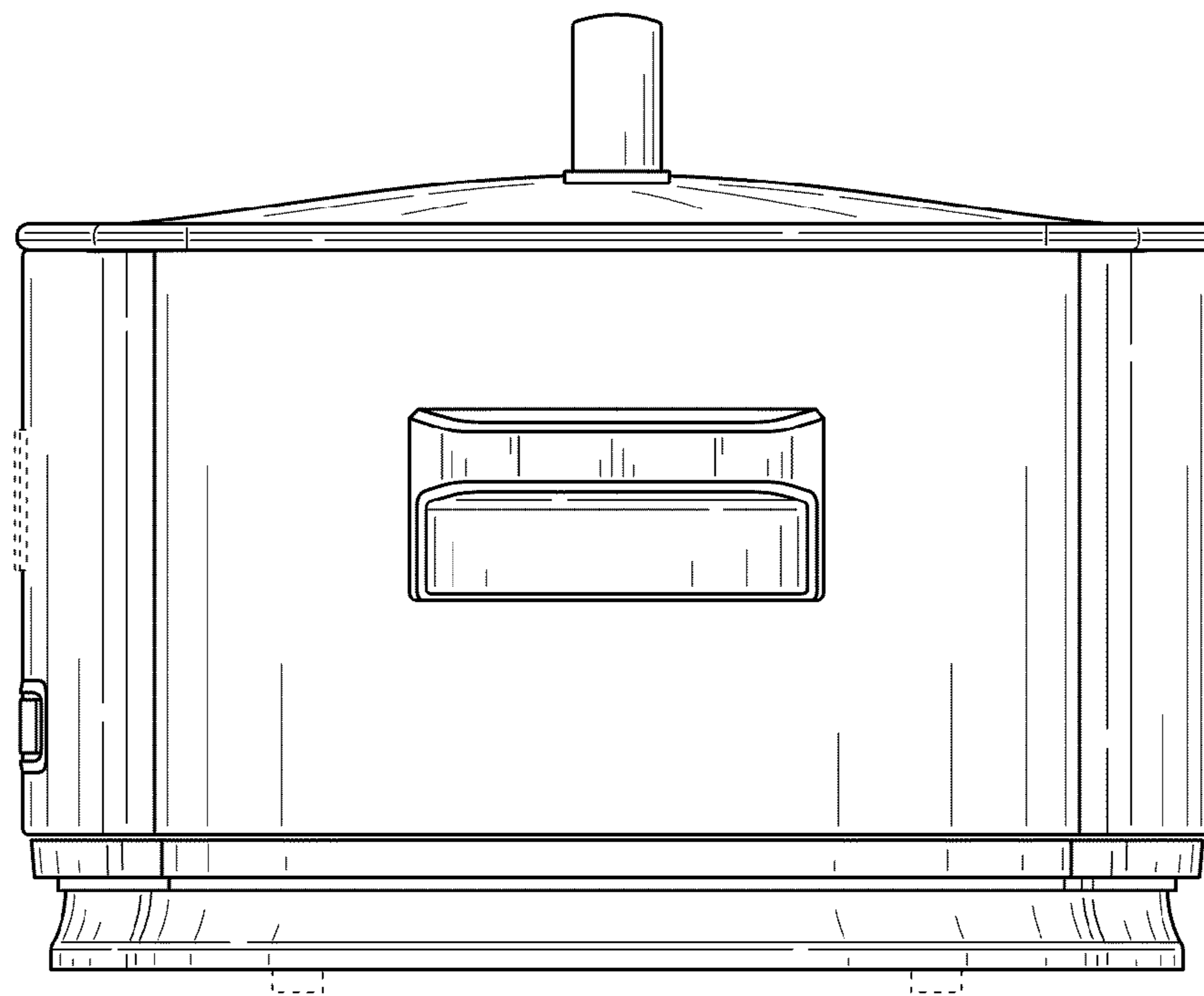


FIG. 4

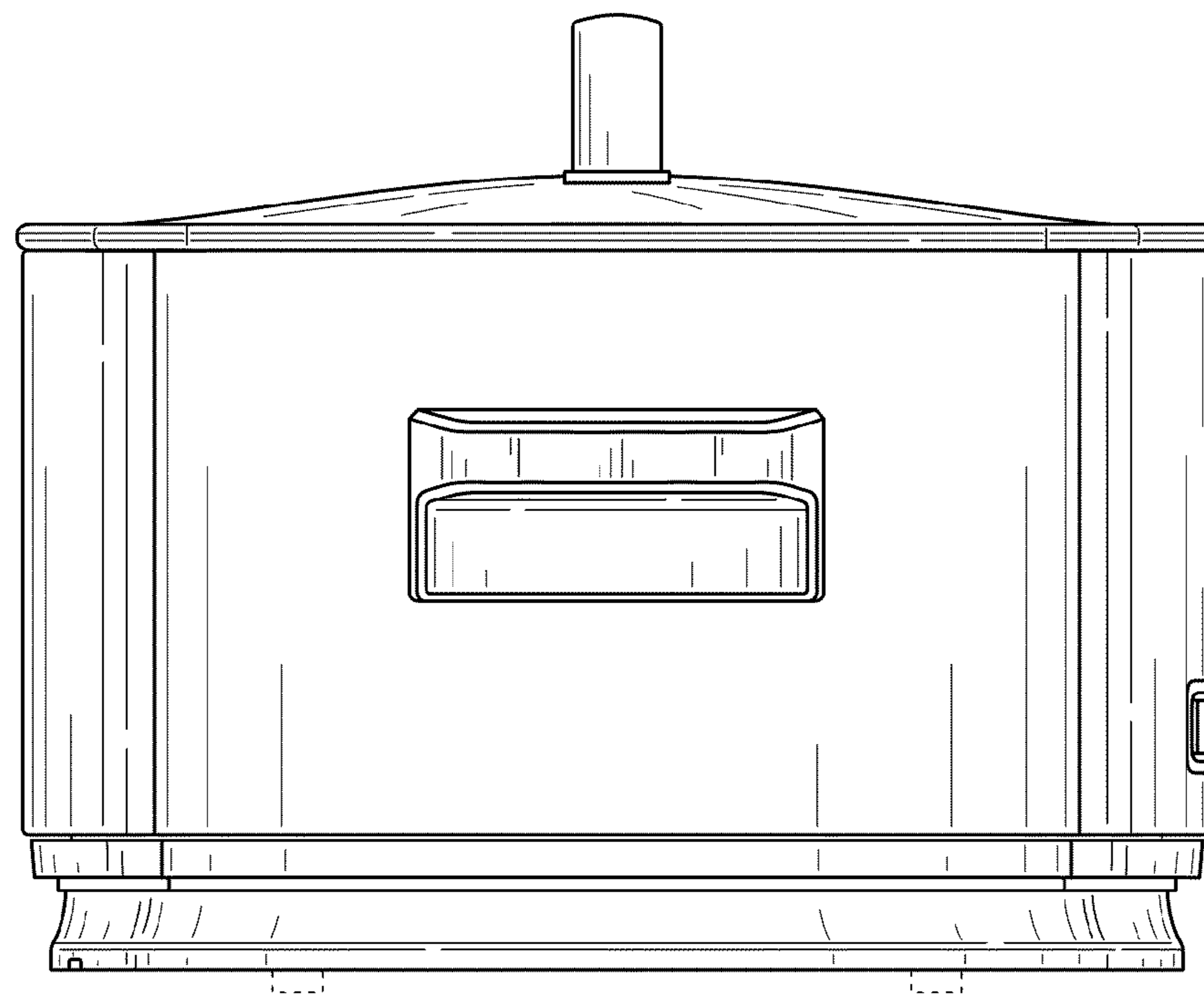


FIG. 5

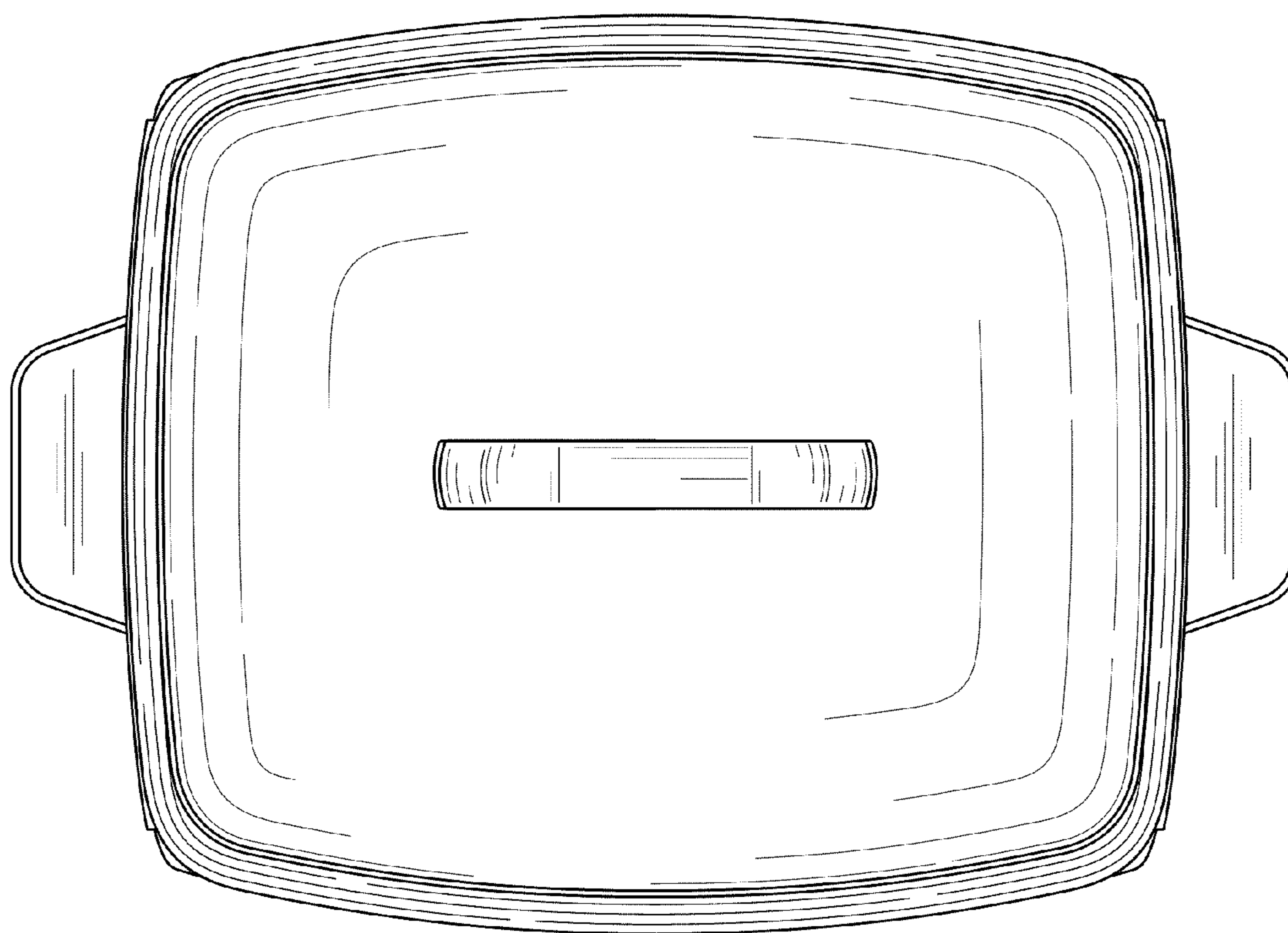


FIG. 6

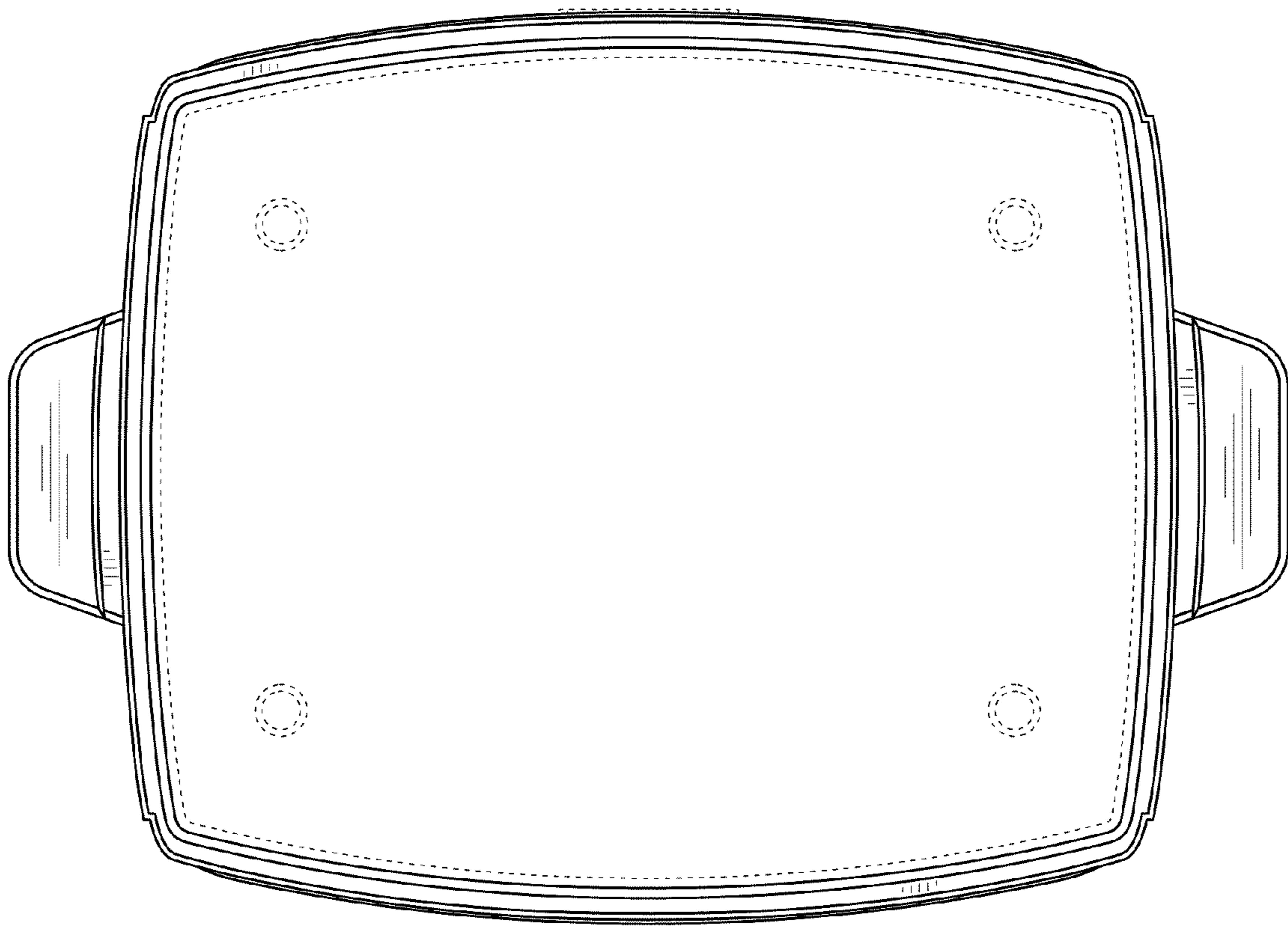


FIG. 7

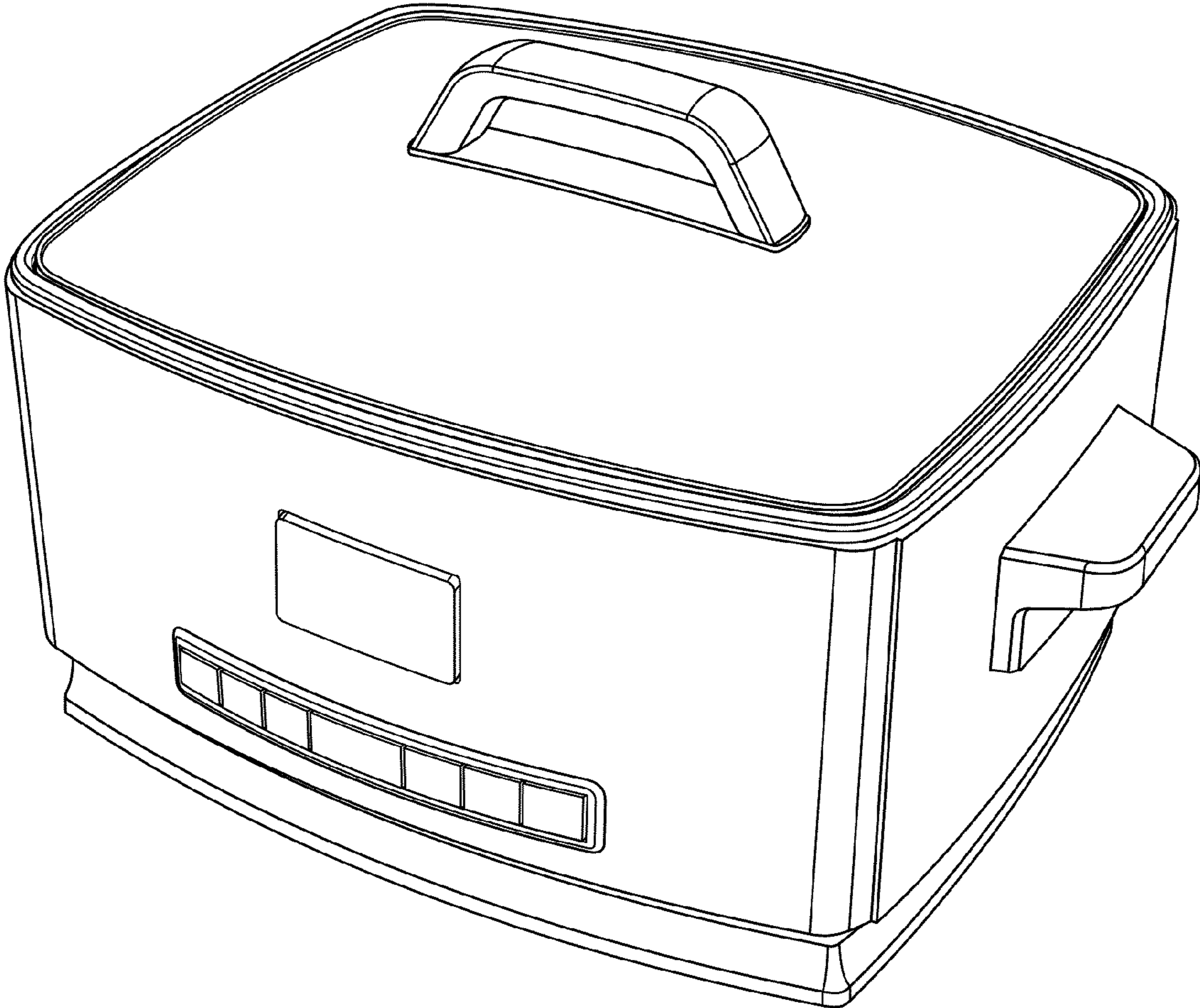


FIG. 8

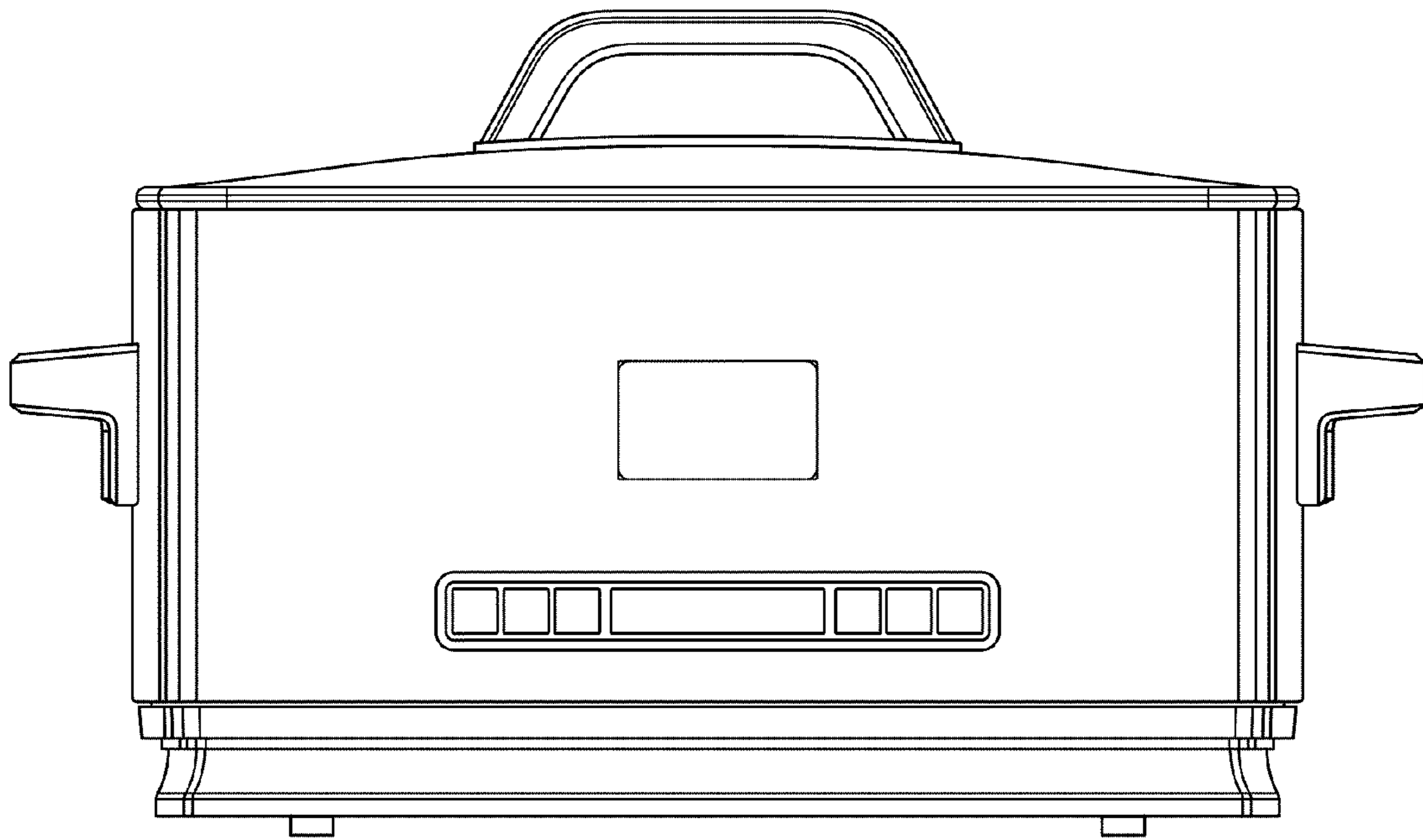


FIG. 9

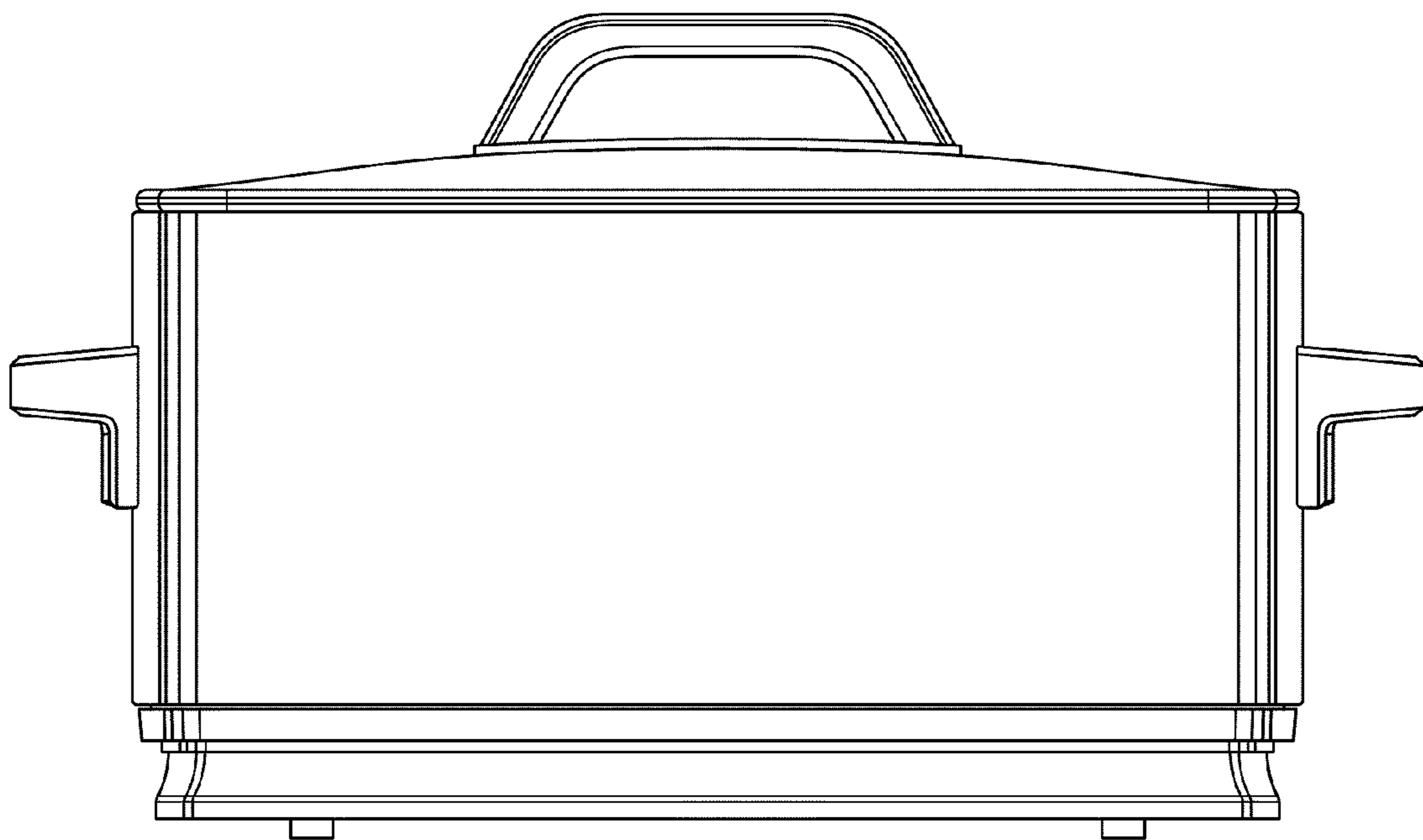


FIG. 10

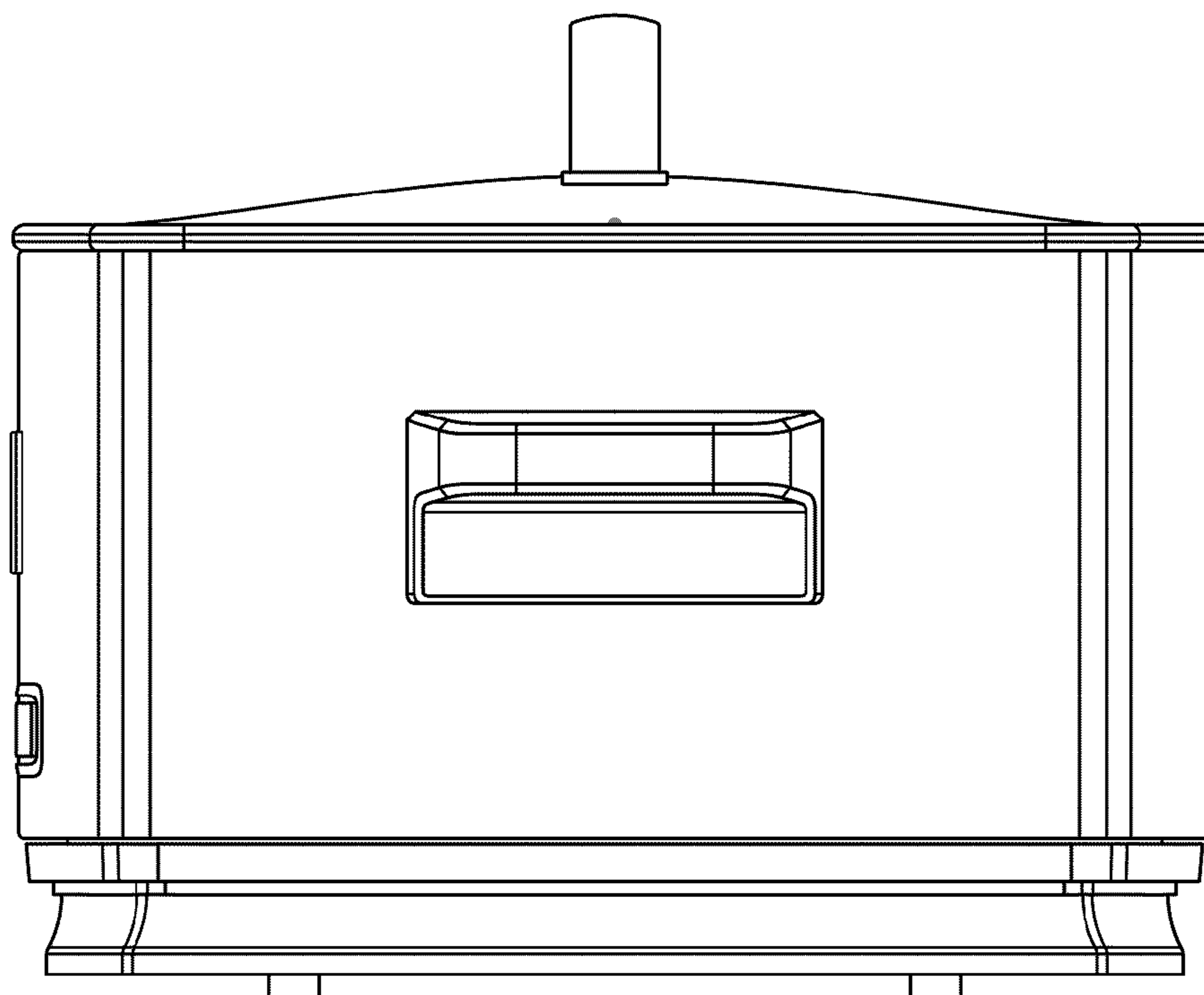


FIG. 11

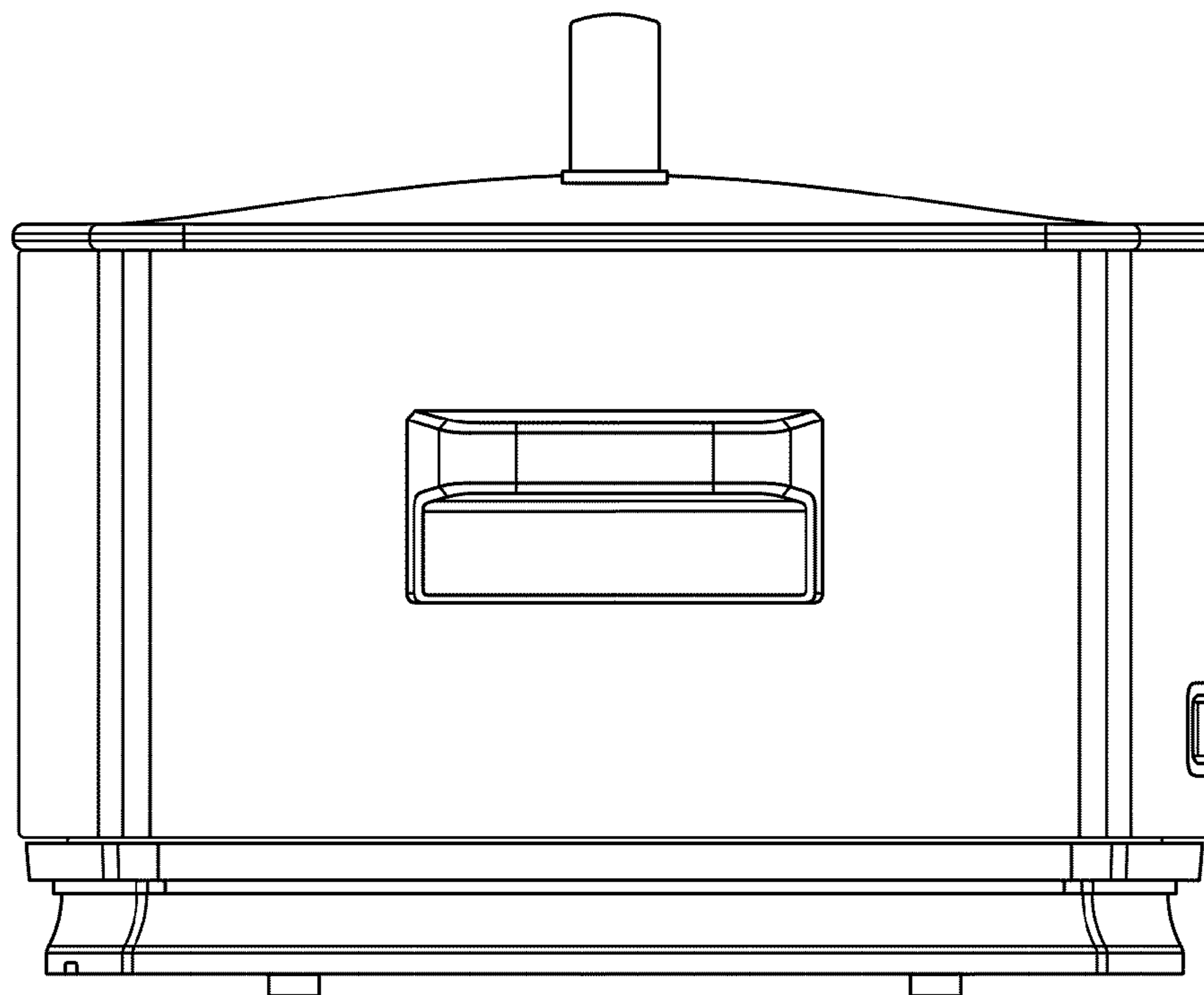


FIG. 12

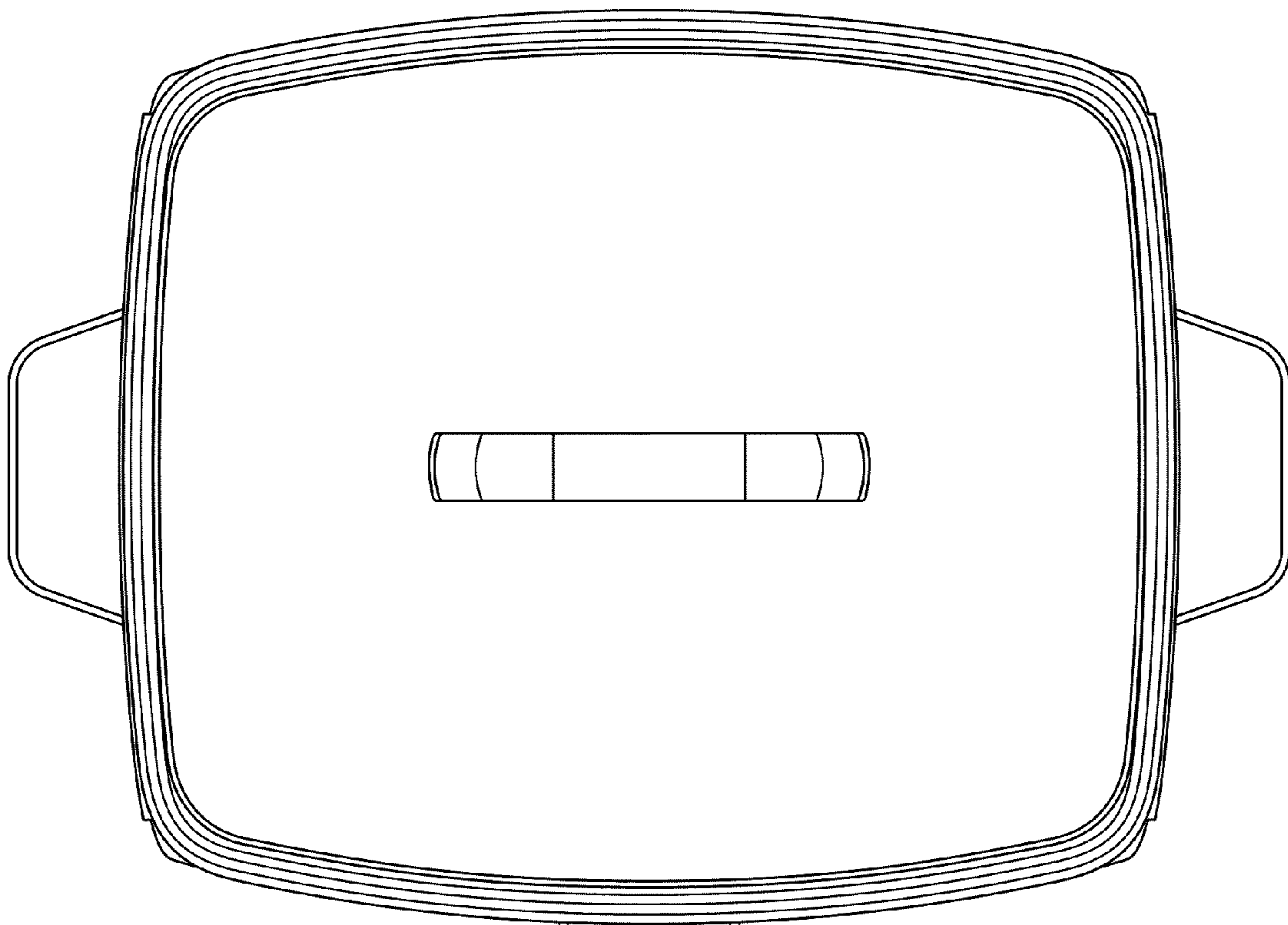


FIG. 13

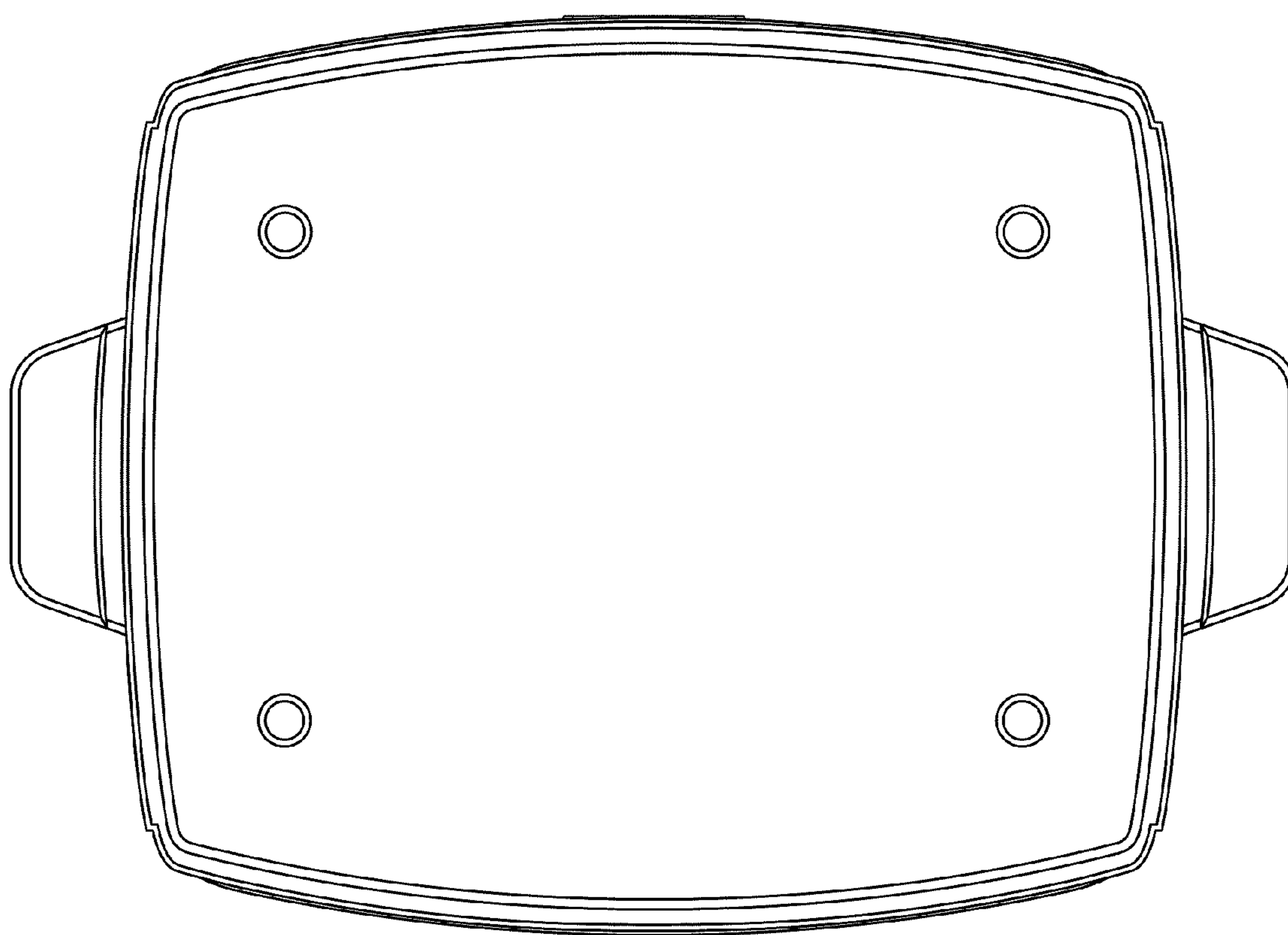


FIG. 14