



US00D647751S

(12) **United States Design Patent**  
**Olson**

(10) **Patent No.:** **US D647,751 S**  
(45) **Date of Patent:** **\*\* Nov. 1, 2011**

(54) **HEATED CABINET FOR FOODS AND THE LIKE**

**DESCRIPTION**

- (75) Inventor: **Jeffrey C. Olson**, Dallas, PA (US)
- (73) Assignee: **Metro Industries Inc.**, Reno, NV (US)
- (\*\*) Term: **14 Years**
- (21) Appl. No.: **29/384,842**
- (22) Filed: **Feb. 4, 2011**
- (51) **LOC (9) Cl.** ..... **07-02**
- (52) **U.S. Cl.** ..... **D7/348**
- (58) **Field of Classification Search** ..... D7/340–341,  
D7/346–349, 402, 405–406; 219/386, 400–401,  
219/413, 445, 446.1, 460.1; 126/198, 211,  
126/39 B, 19 R, 39 C, 50, 39 R, 273 R  
See application file for complete search history.

(56) **References Cited**

**U.S. PATENT DOCUMENTS**

D238,299	S *	12/1975	Klemm	.....	D7/347
3,924,100	A	12/1975	Mack et al.		
D238,509	S *	1/1976	Wilson	.....	D7/348
4,730,100	A *	3/1988	Pingelton	.....	219/400
4,776,317	A	10/1988	Pinnow et al.		
D309,547	S *	7/1990	Kane	.....	D7/323
5,276,309	A	1/1994	Hasse et al.		
6,120,819	A	9/2000	Violi et al.		
7,205,507	B2 *	4/2007	LoMaglio et al.	.....	219/400
7,227,102	B2	6/2007	Shei		
D579,710	S *	11/2008	Wilson et al.	.....	D7/348
7,829,823	B2 *	11/2010	Nuttall et al.	.....	219/214

**FOREIGN PATENT DOCUMENTS**

JP	10-234590	A	9/1998
WO	2009/143342	A2	11/2009

\* cited by examiner

*Primary Examiner* — Catheri Oliver

(74) *Attorney, Agent, or Firm* — Fitzpatrick, Cella, Harper & Scinto

(57) **CLAIM**

The ornamental design for a heated cabinet for foods and the like, as shown and described.

FIG. 1 is a perspective view of a heated cabinet for foods and the like in accordance with a first embodiment of the present invention,  
 FIG. 2 is a front elevational view of the heated cabinet for foods and the like as shown in FIG. 1.  
 FIG. 3 is a left side elevational view of the heated cabinet for foods and the like as shown in FIG. 1.  
 FIG. 4 is a right side elevational view of the heated cabinet for foods and the like as shown in FIG. 1.  
 FIG. 5 is a rear elevational view of the heated cabinet for foods and the like as shown in FIG. 1.  
 FIG. 6 is a top plan view of the heated cabinet for foods and the like as shown in FIG. 1.  
 FIG. 7 is a bottom plan view of the heated cabinet for foods and the like as shown in FIG. 1.  
 FIG. 8 is a perspective view of a heated cabinet for foods and the like in accordance with a second embodiment of the present invention,  
 FIG. 9 is a front elevational view of the heated cabinet for foods and the like as shown in FIG. 8.  
 FIG. 10 is a left side elevational view of the heated cabinet for foods and the like as shown in FIG. 8.  
 FIG. 11 is a right side elevational view of the heated cabinet for foods and the like as shown in FIG. 8.  
 FIG. 12 is a rear elevational view of the heated cabinet for foods and the like as shown in FIG. 8.  
 FIG. 13 is a top plan view of the heated cabinet for foods and the like as shown in FIG. 8.  
 FIG. 14 is a bottom plan view of the heated cabinet for foods and the like as shown in FIG. 8.  
 FIG. 15 is a perspective view of a heated cabinet for foods and the like in accordance with a third embodiment of the present invention,  
 FIG. 16 is a front elevational view of the heated cabinet for foods and the like as shown in FIG. 15.  
 FIG. 17 is a left side elevational view of the heated cabinet for foods and the like as shown in FIG. 15.  
 FIG. 18 is a right side elevational view of the heated cabinet for foods and the like as shown in FIG. 15.  
 FIG. 19 is a rear elevational view of the heated cabinet for foods and the like as shown in FIG. 15.

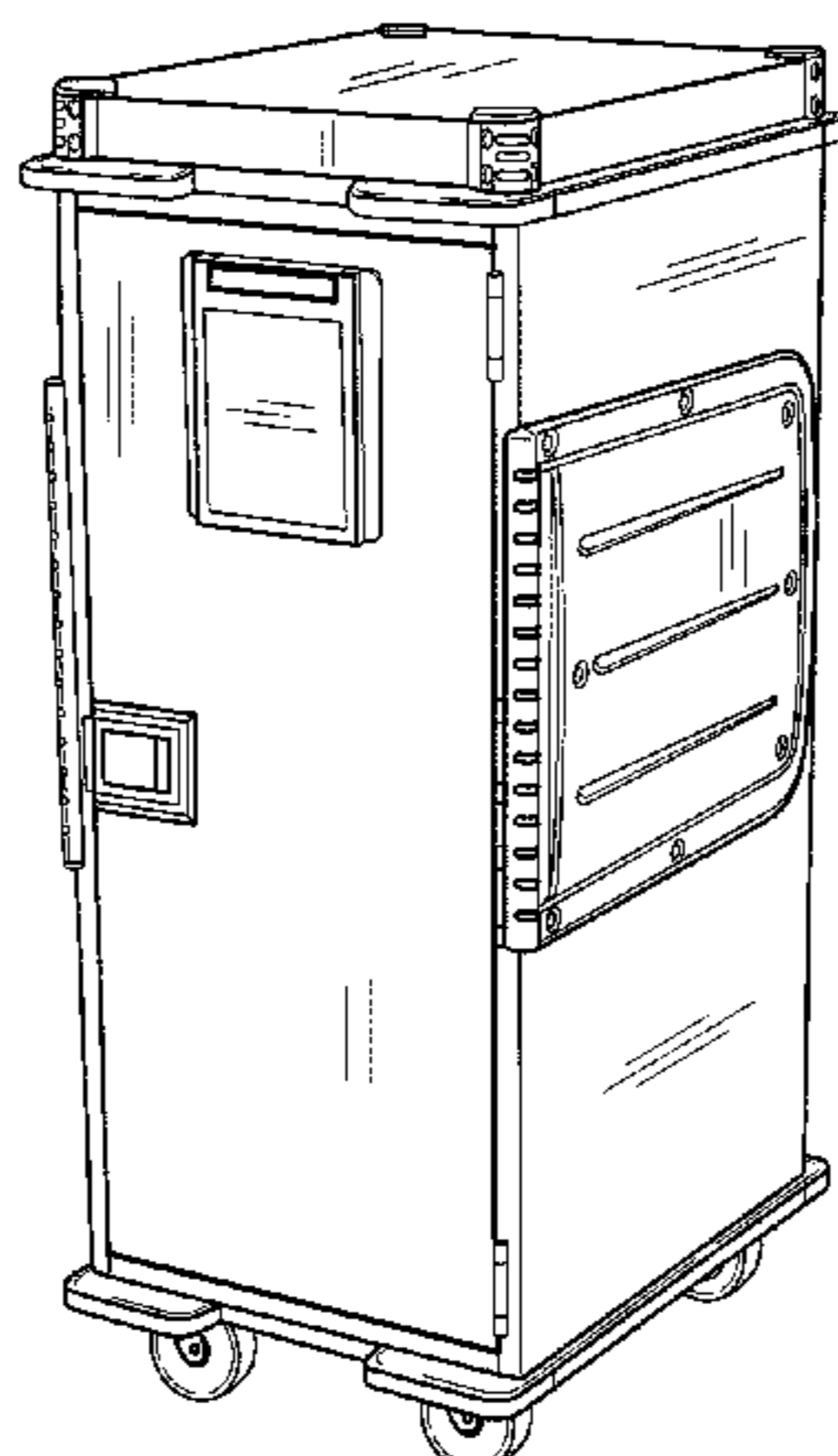


FIG. 20 is a top plan view of the heated cabinet for foods and the like as shown in FIG. 15.

FIG. 21 is a bottom plan view of the heated cabinet for foods and the like as shown in FIG. 15.

FIG. 22 is a perspective view of a heated cabinet for foods and the like in accordance with a fourth embodiment of the present invention,

FIG. 23 is a front elevational view of the heated cabinet for foods and the like as shown in FIG. 22.

FIG. 24 is a left side elevational view of the heated cabinet for foods and the like as shown in FIG. 22.

FIG. 25 is a right side elevational view of the heated cabinet for foods and the like as shown in FIG. 22.

FIG. 26 is a rear elevational view of the heated cabinet for foods and the like as shown in FIG. 22.

FIG. 27 is a top plan view of the heated cabinet for foods and the like as shown in FIG. 22; and,

FIG. 28 is a bottom plan view of the heated cabinet for foods and the like as shown in FIG. 22.

**1 Claim, 12 Drawing Sheets**

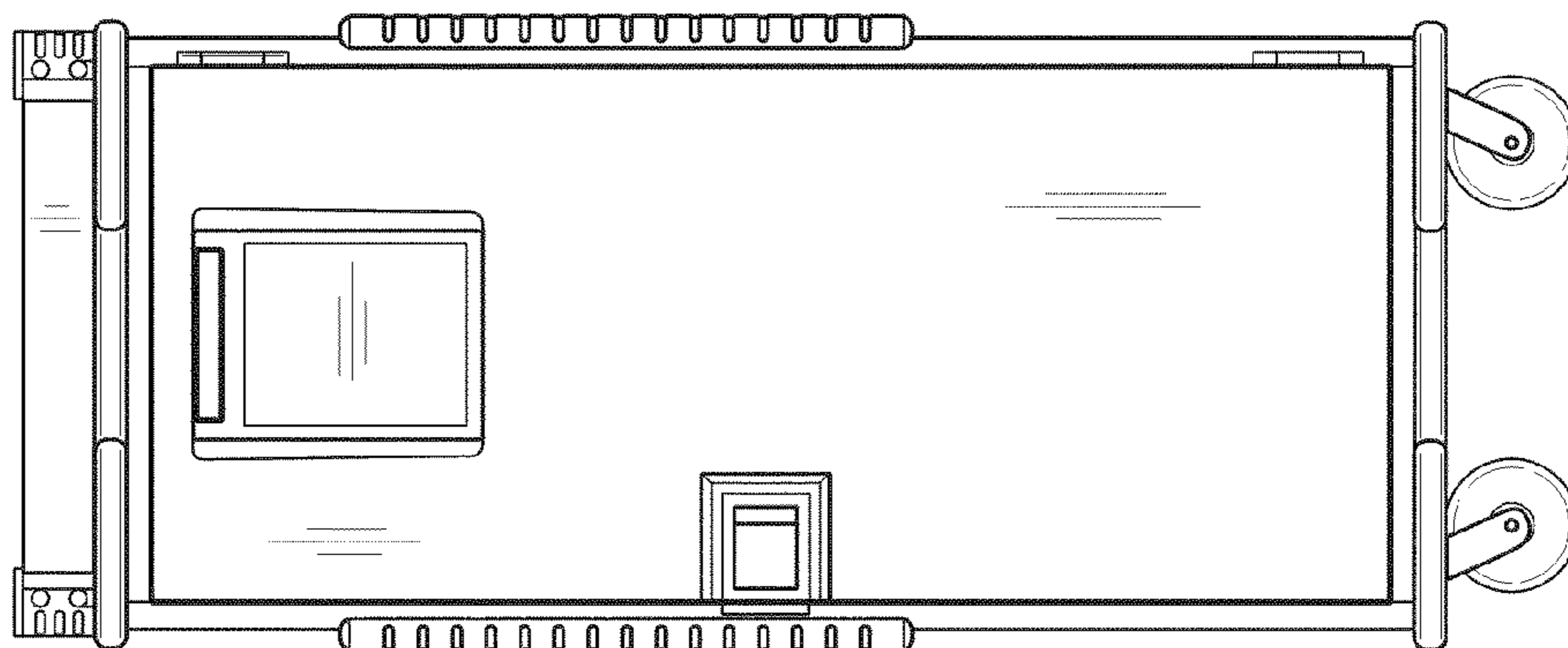


FIG. 2

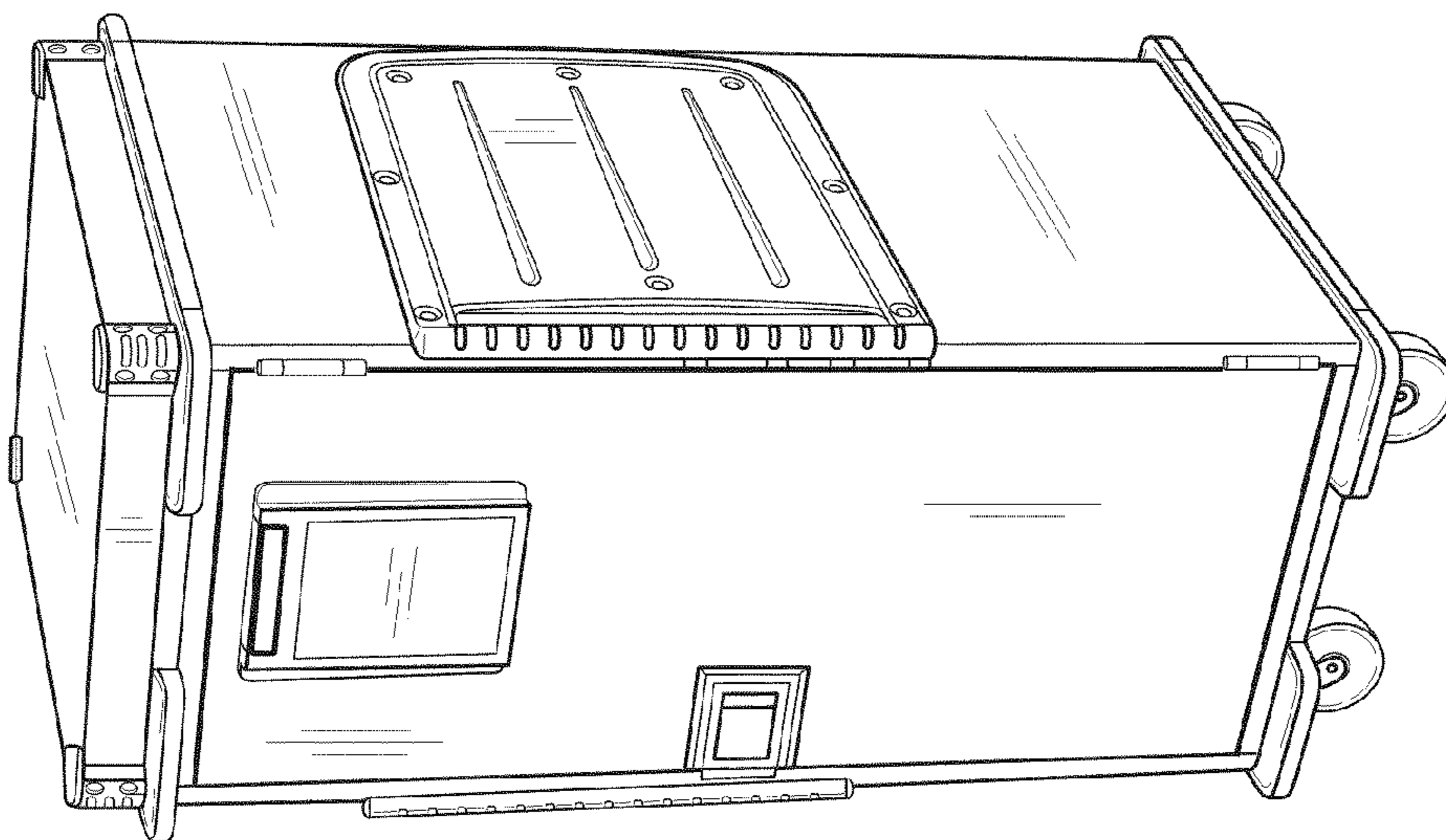


FIG. 1

FIG. 4

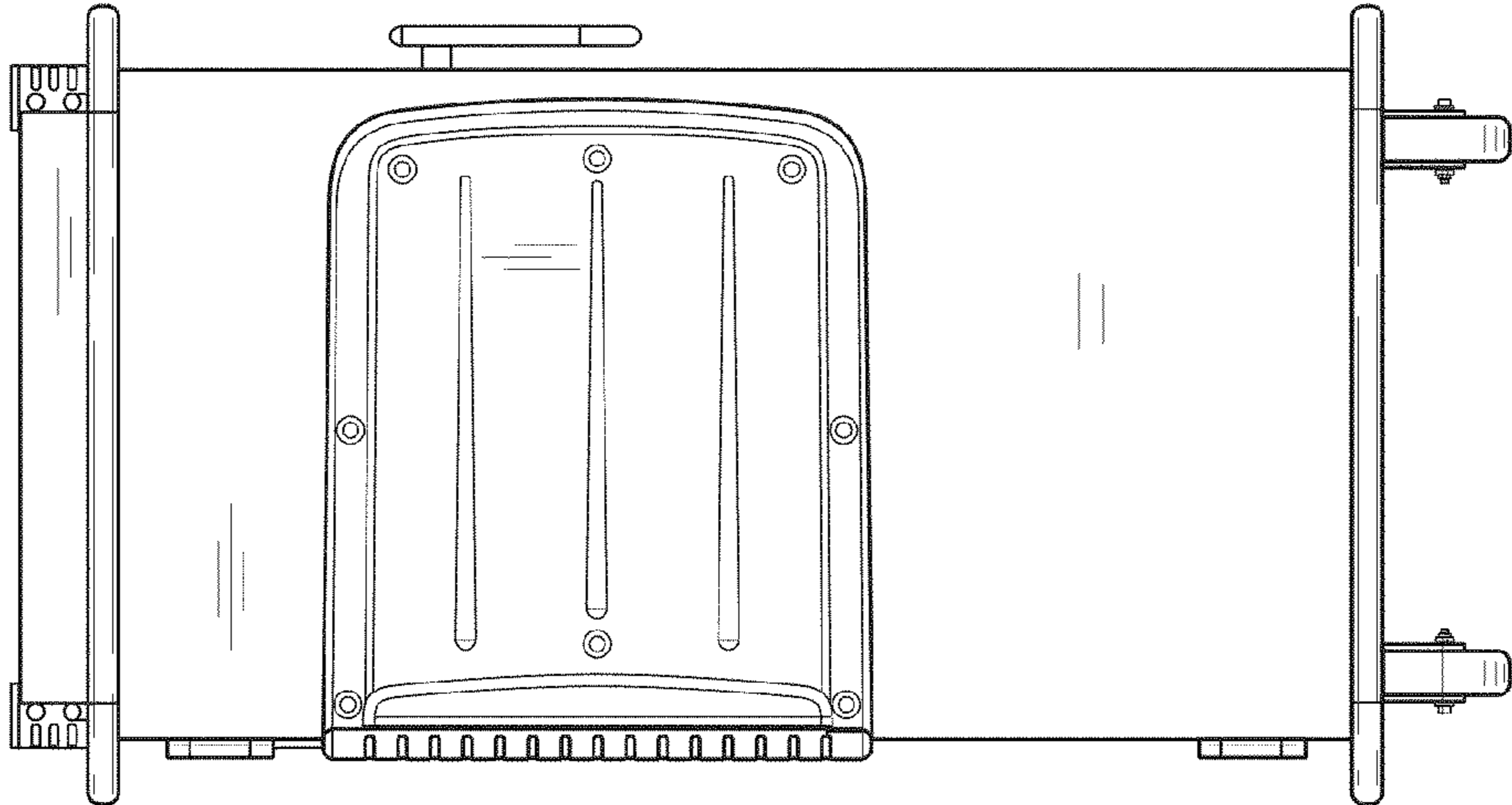
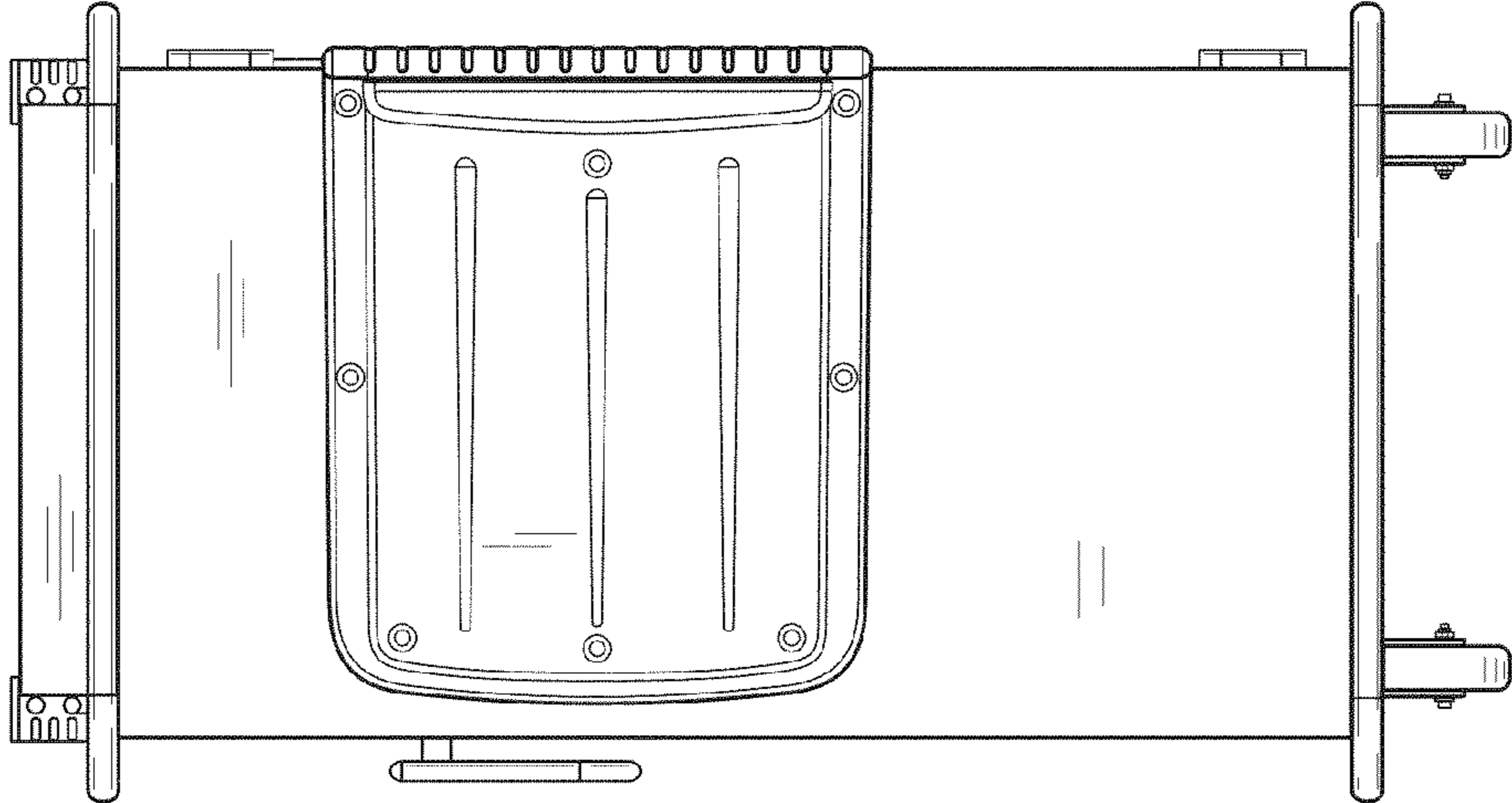


FIG. 3



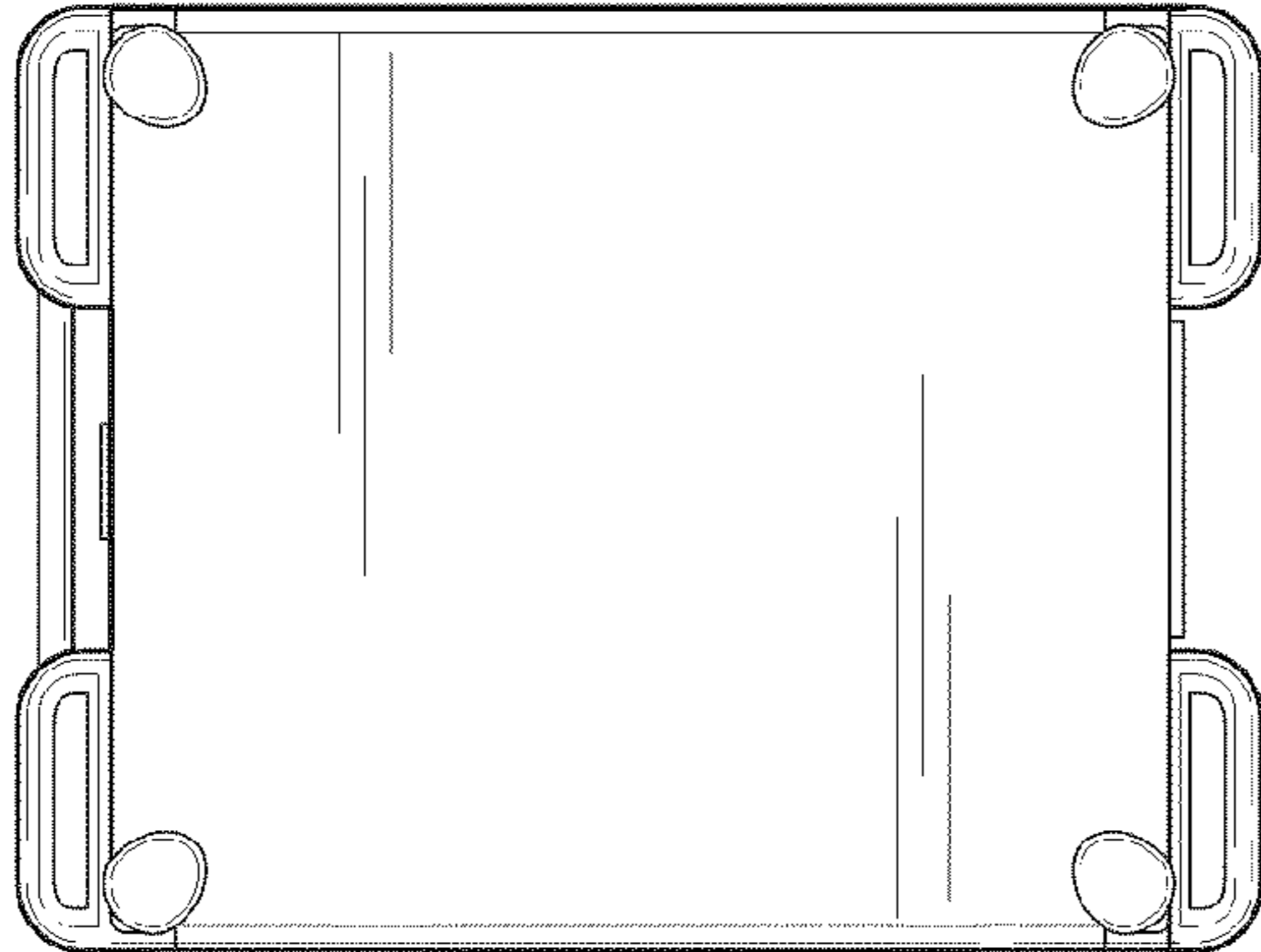


FIG. 6

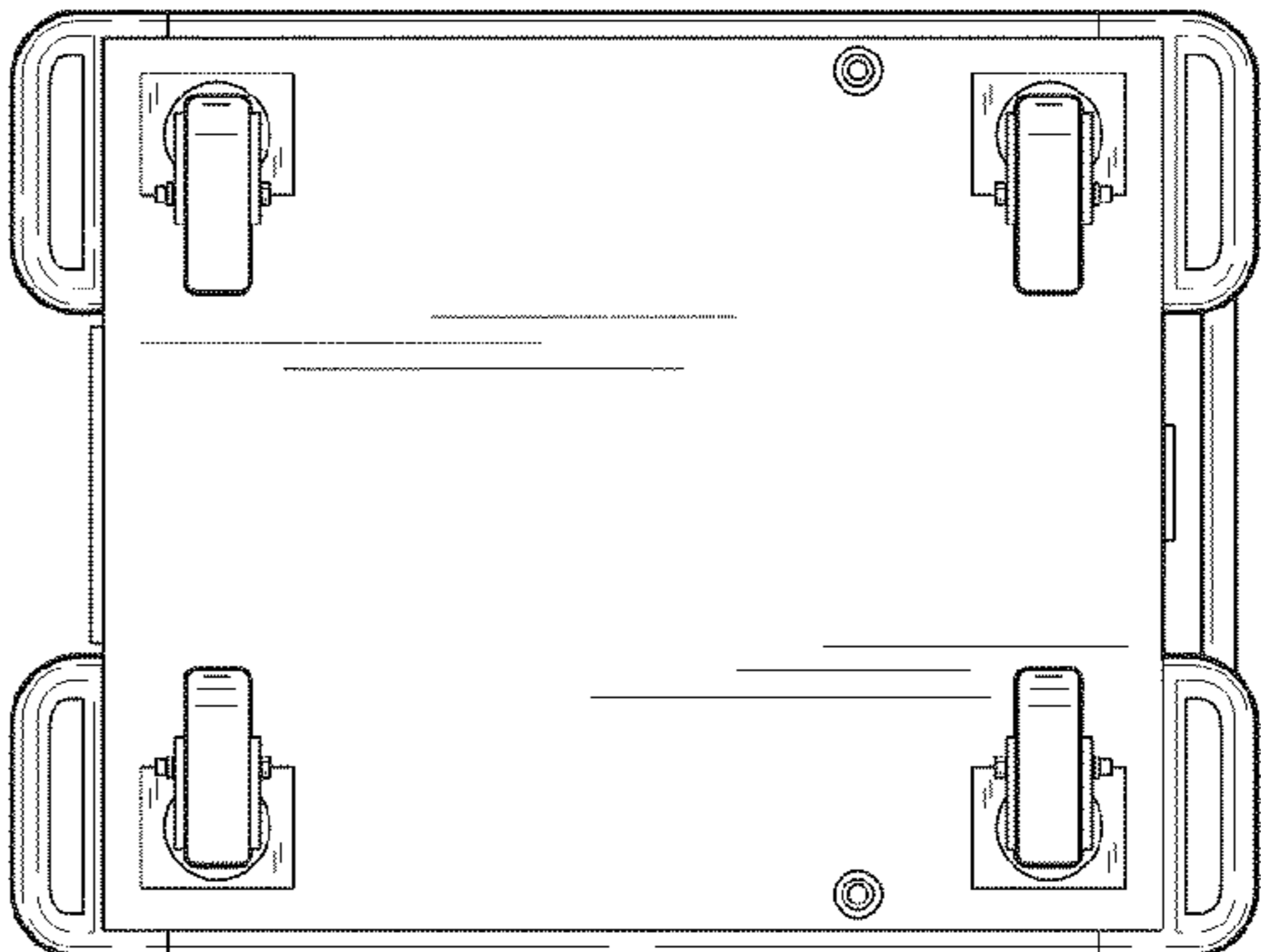


FIG. 7

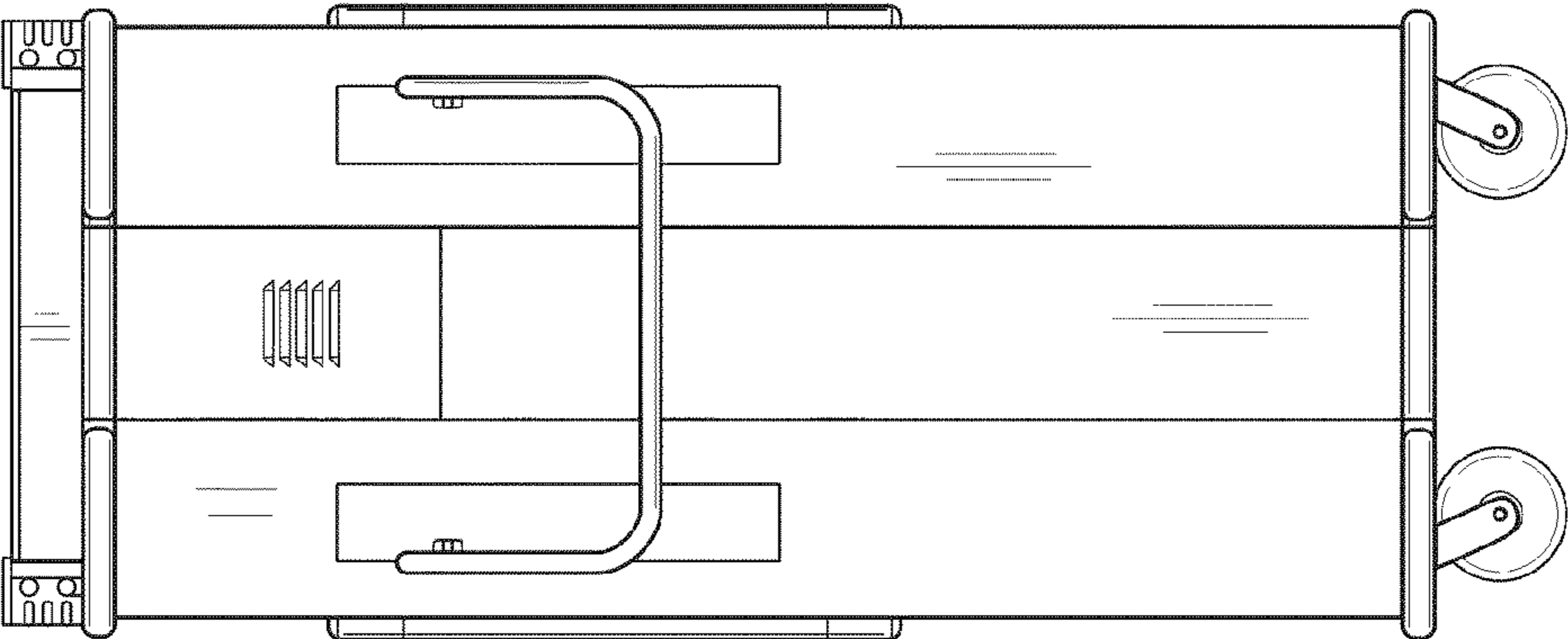


FIG. 5

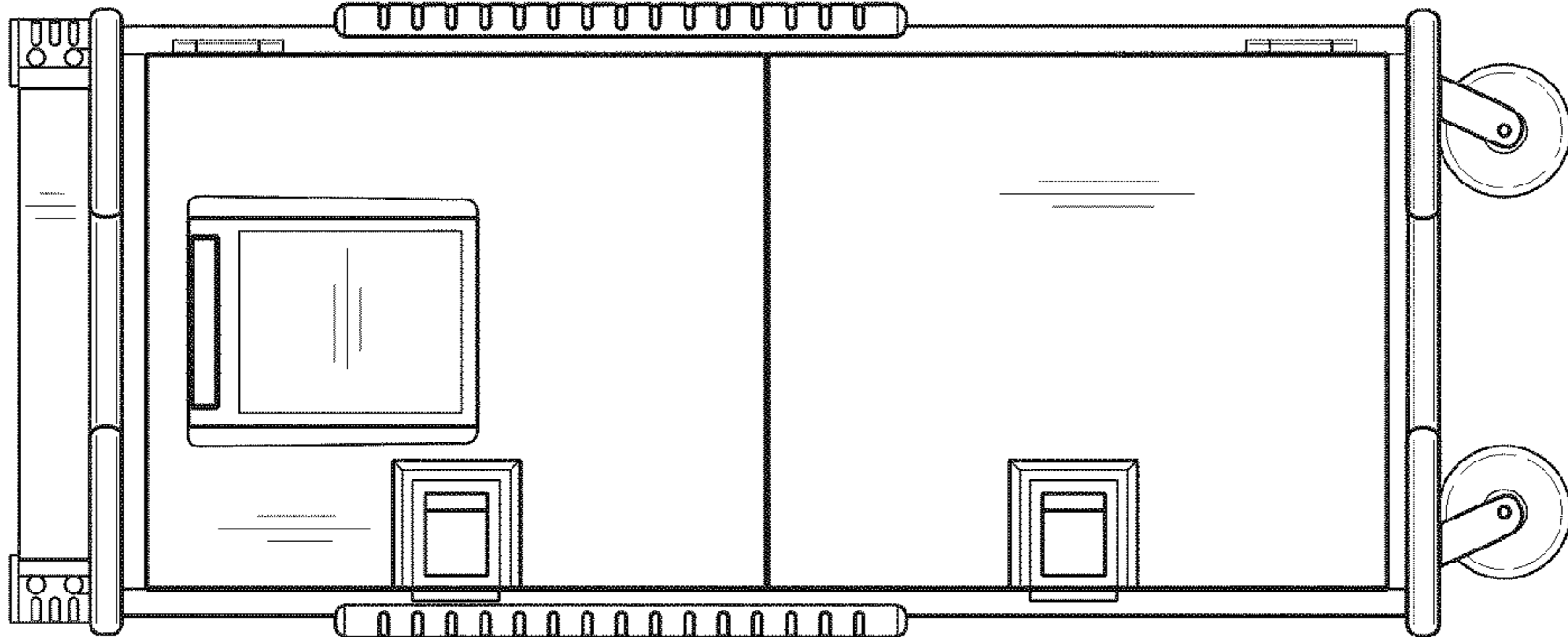


FIG. 9

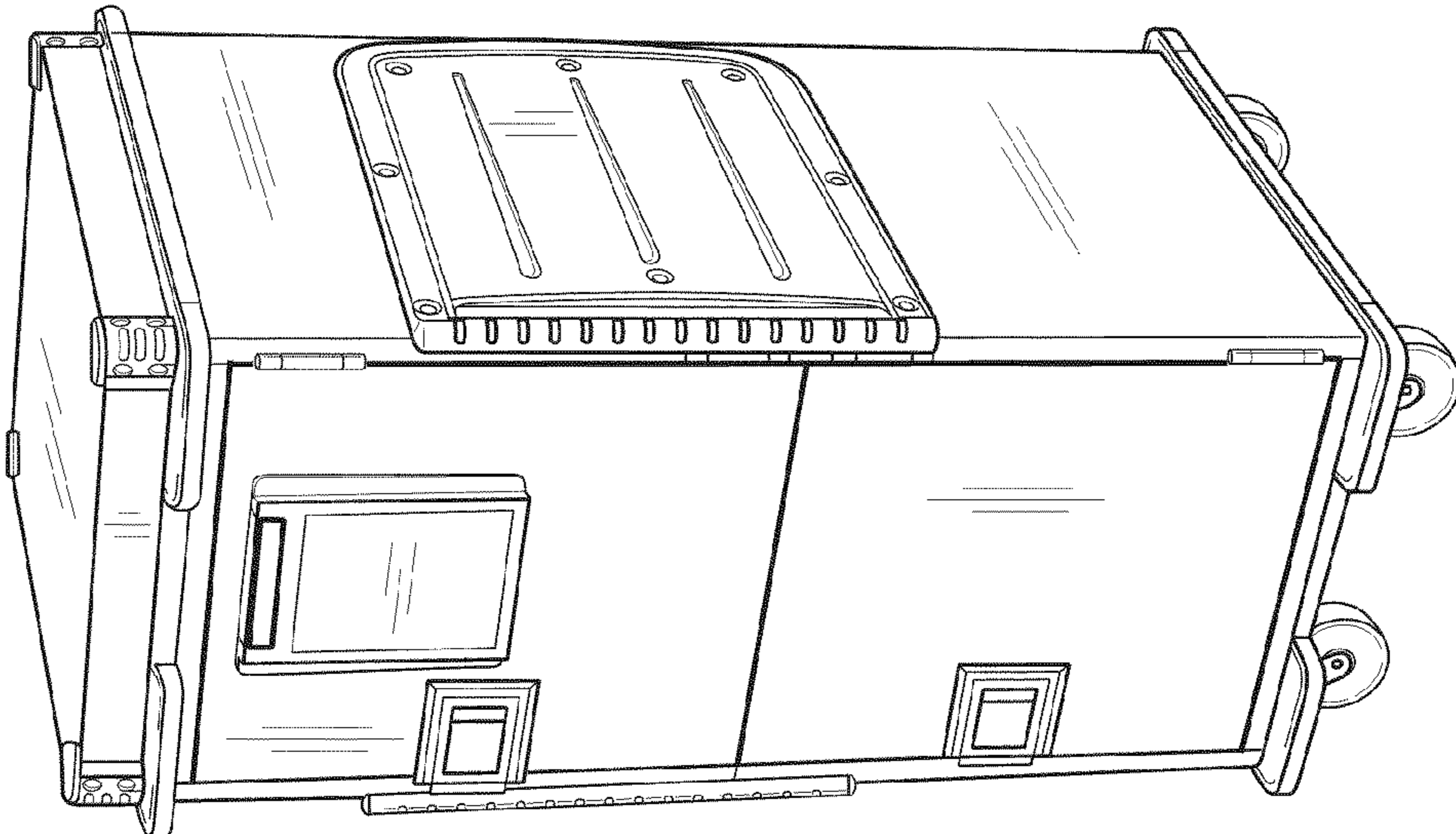


FIG. 8

FIG. 11

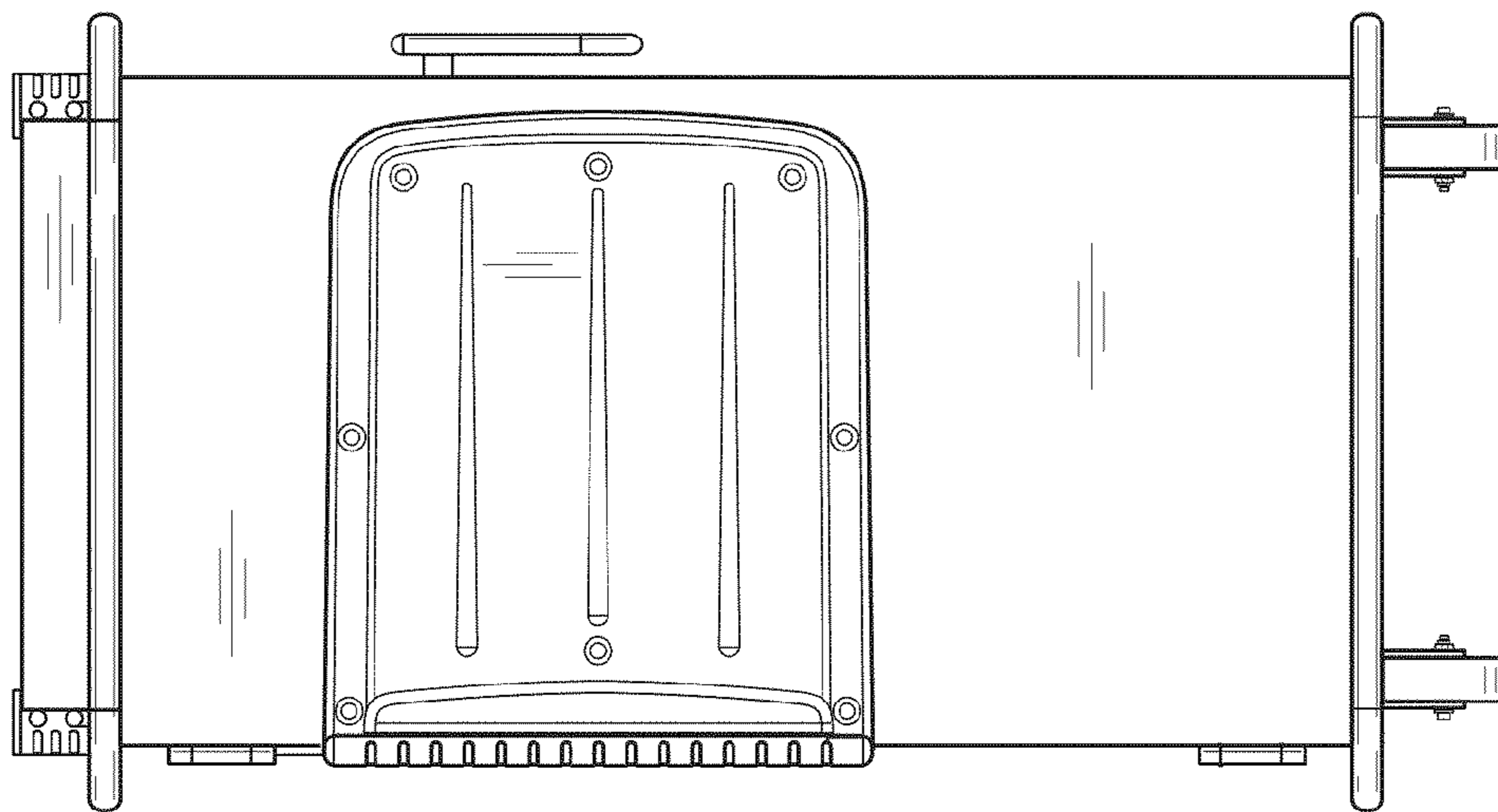
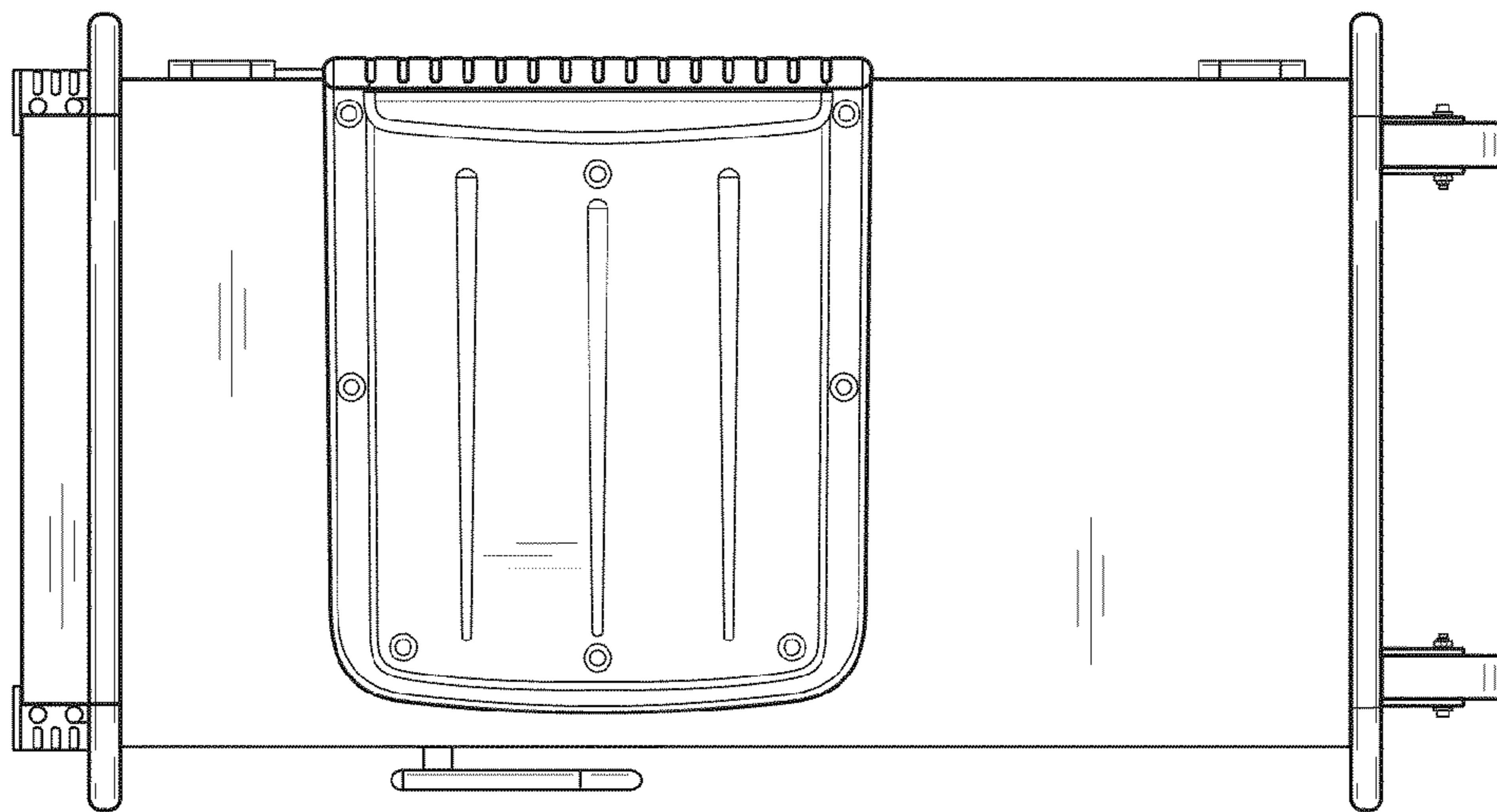


FIG. 10



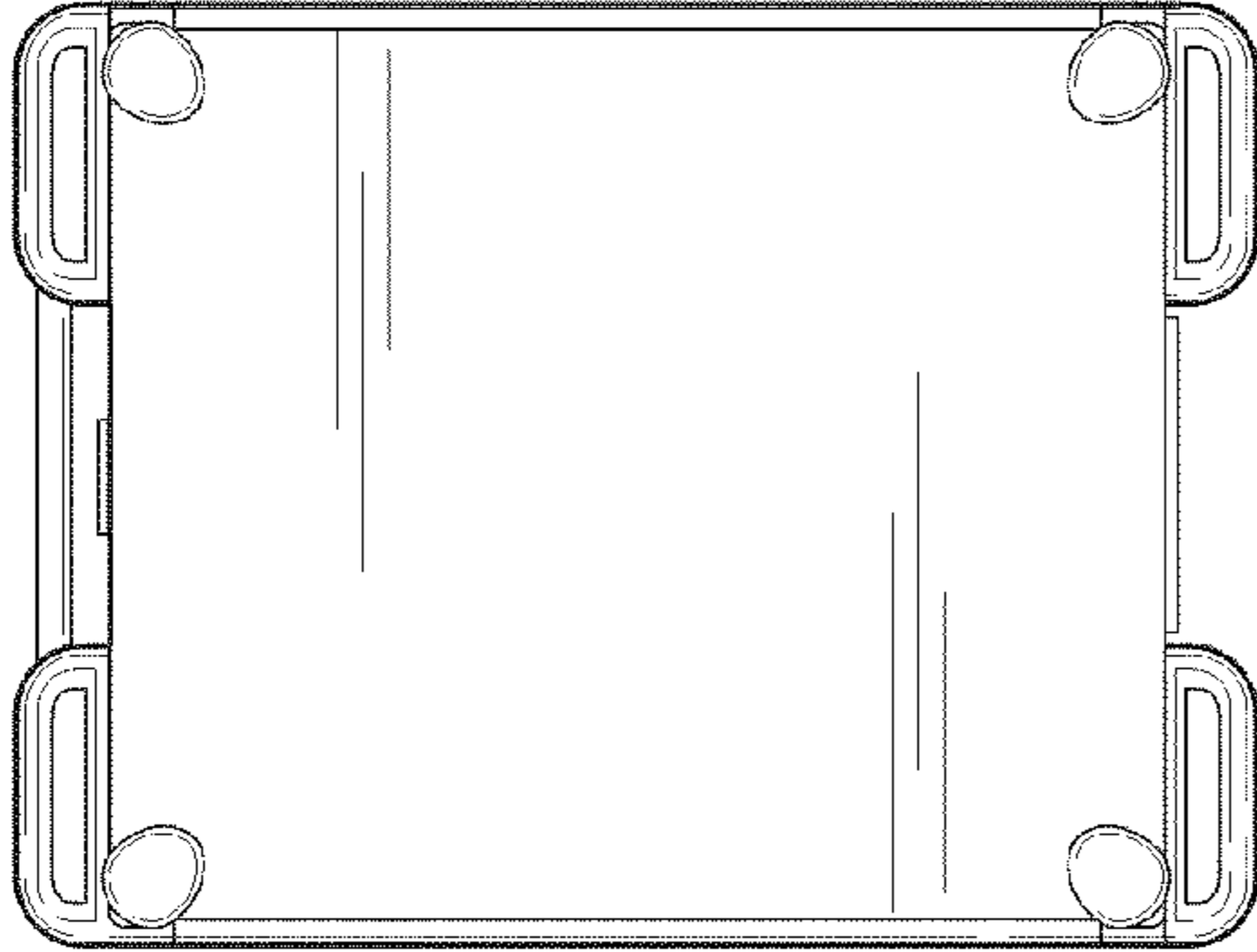


FIG. 13

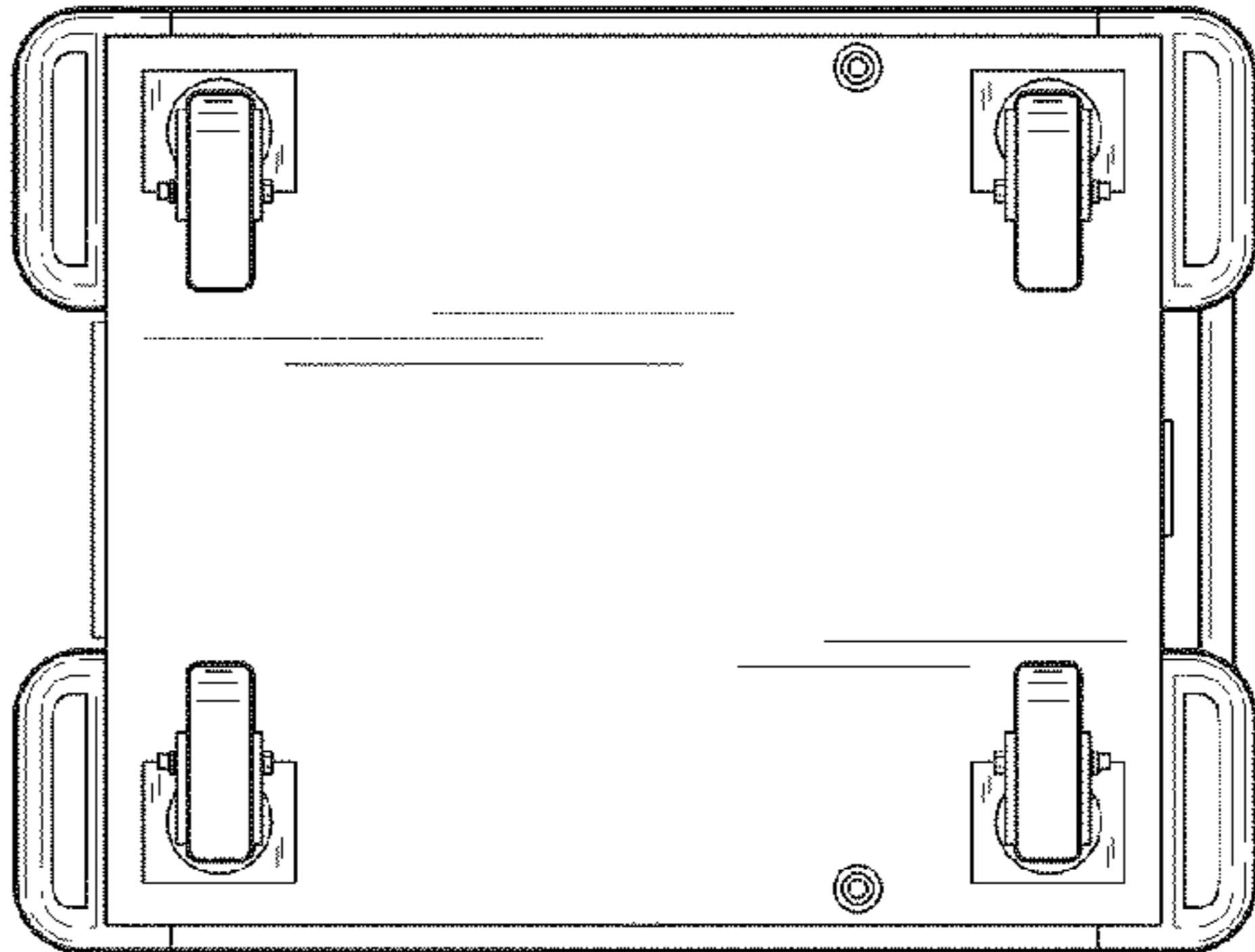


FIG. 14

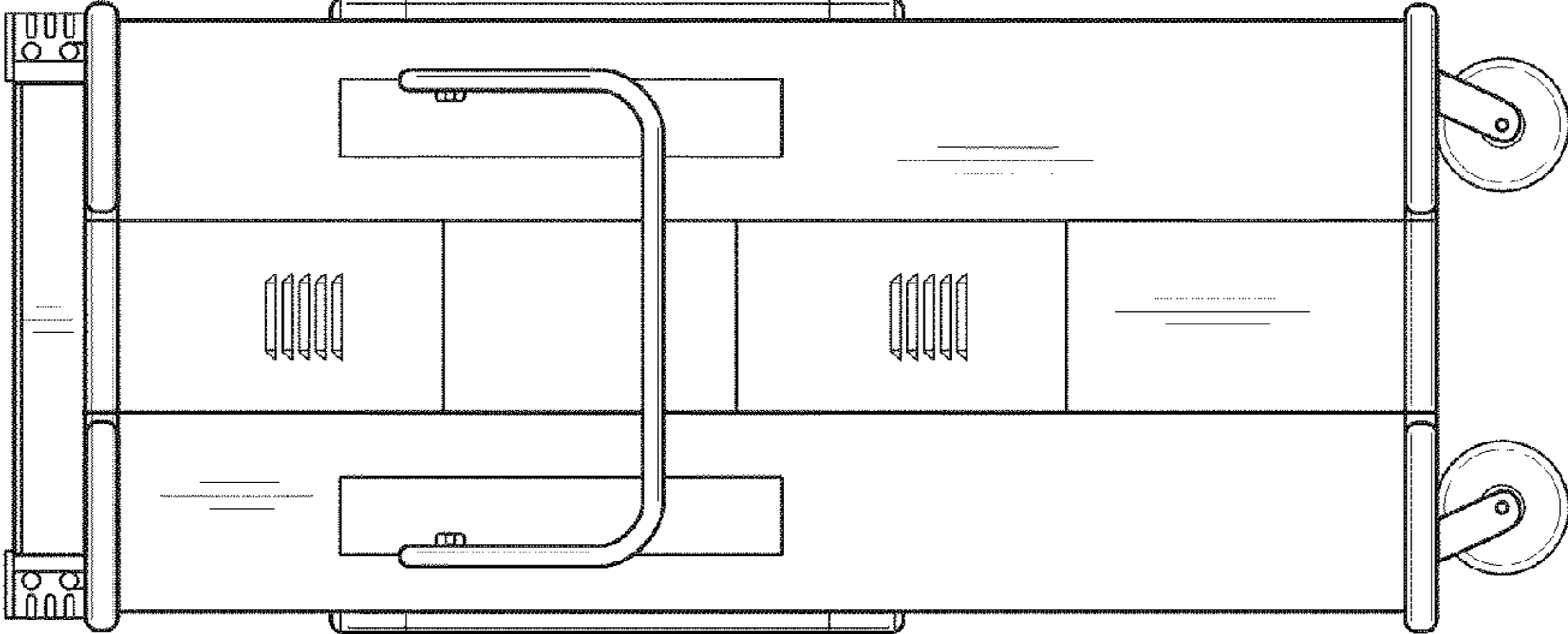


FIG. 12



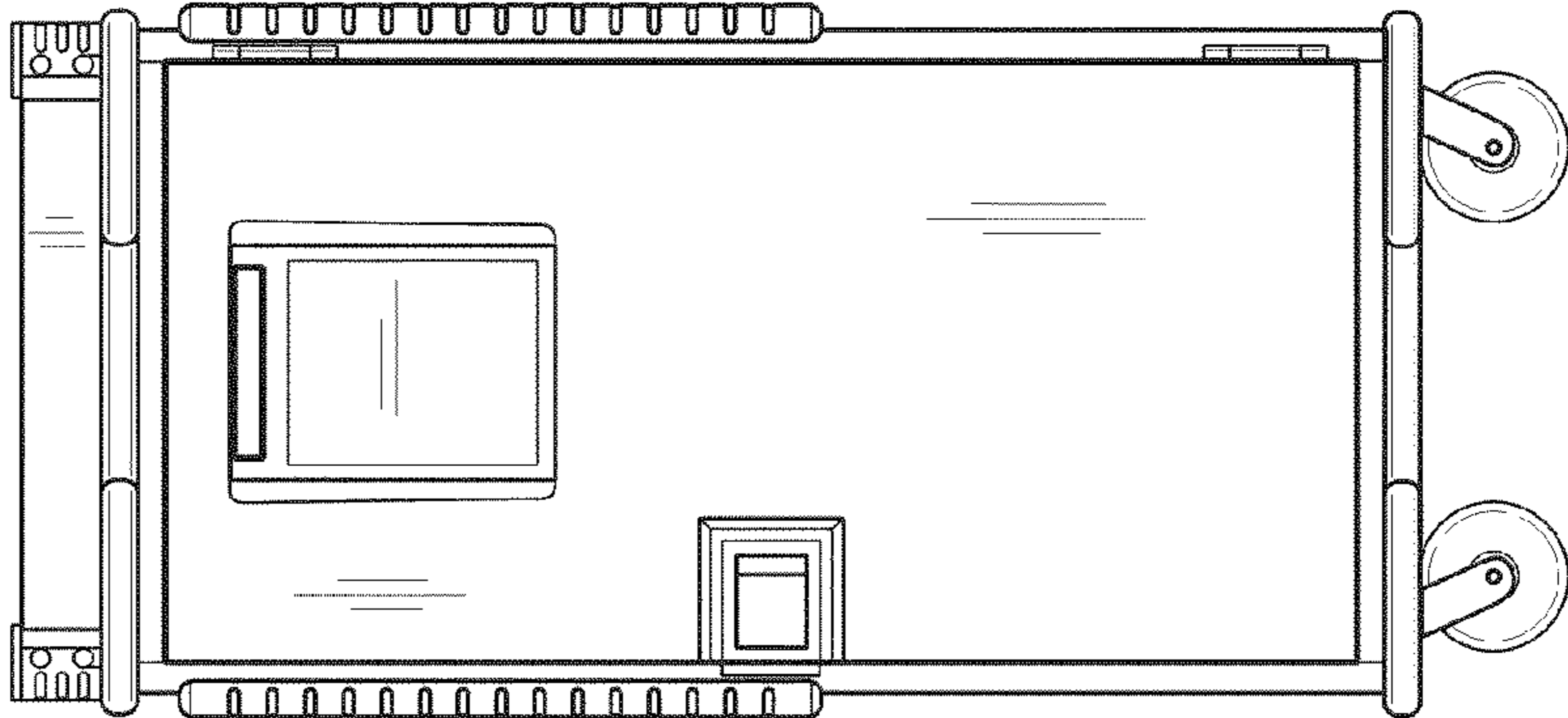


FIG. 16

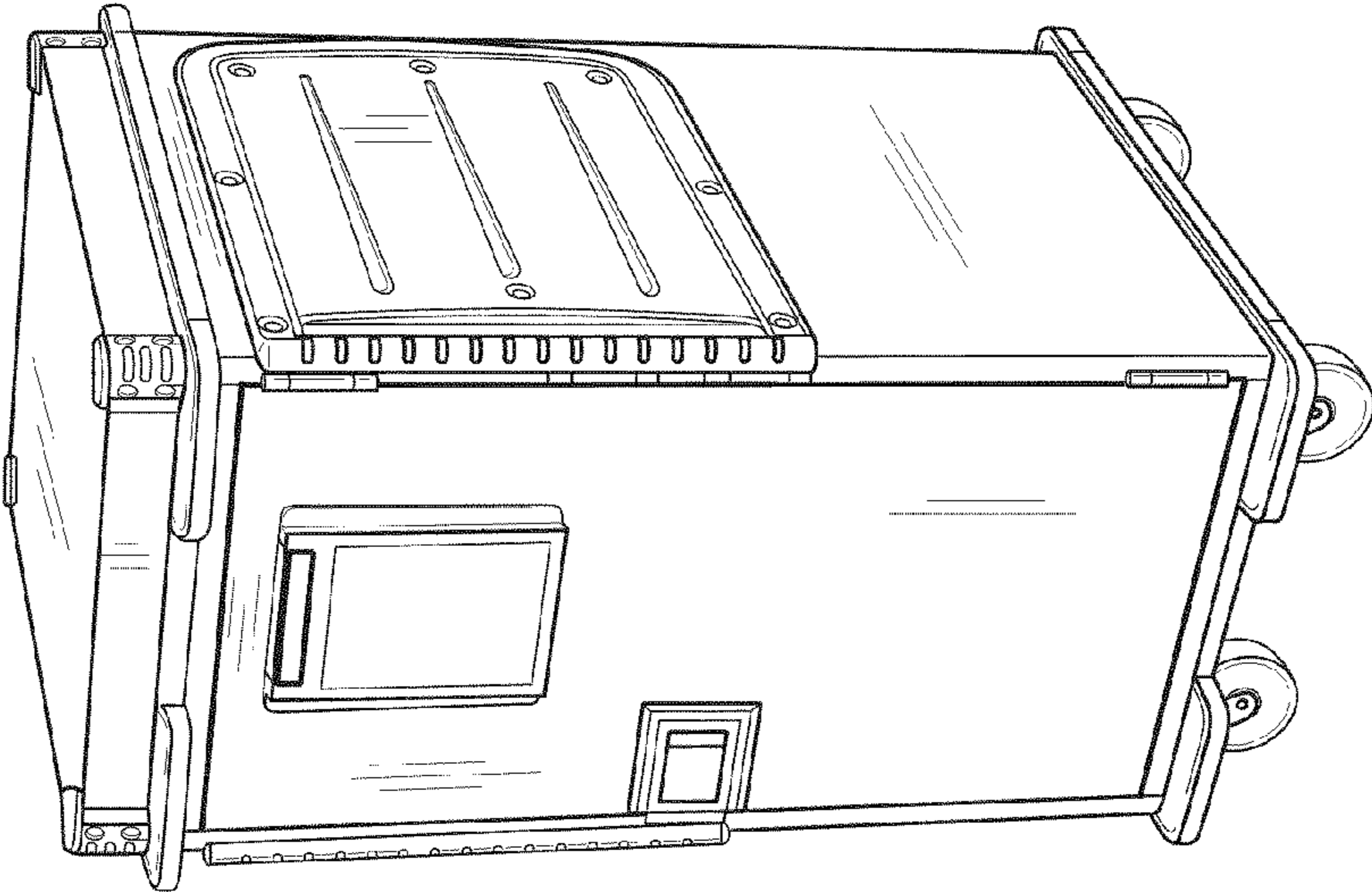


FIG. 15

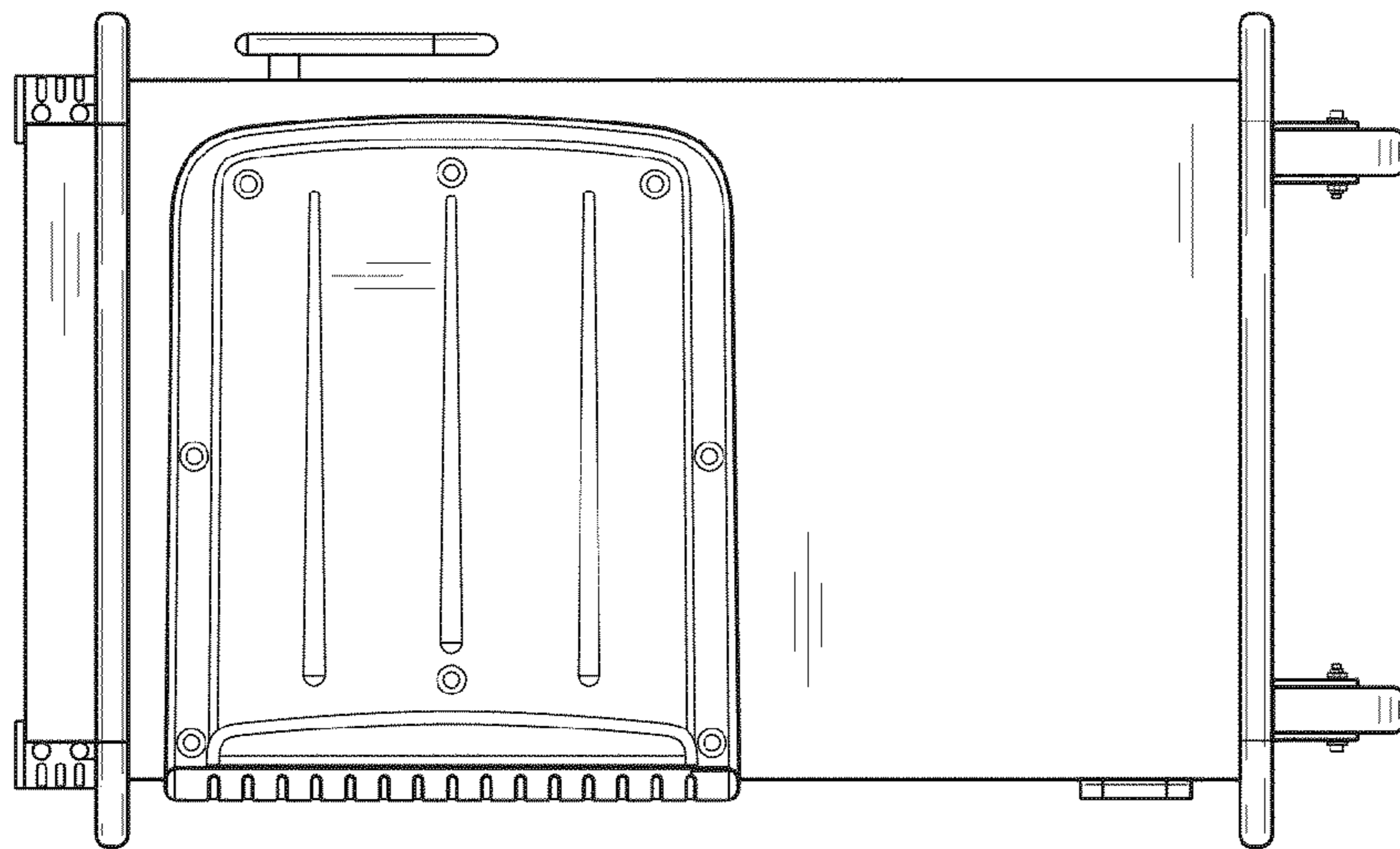


FIG. 18

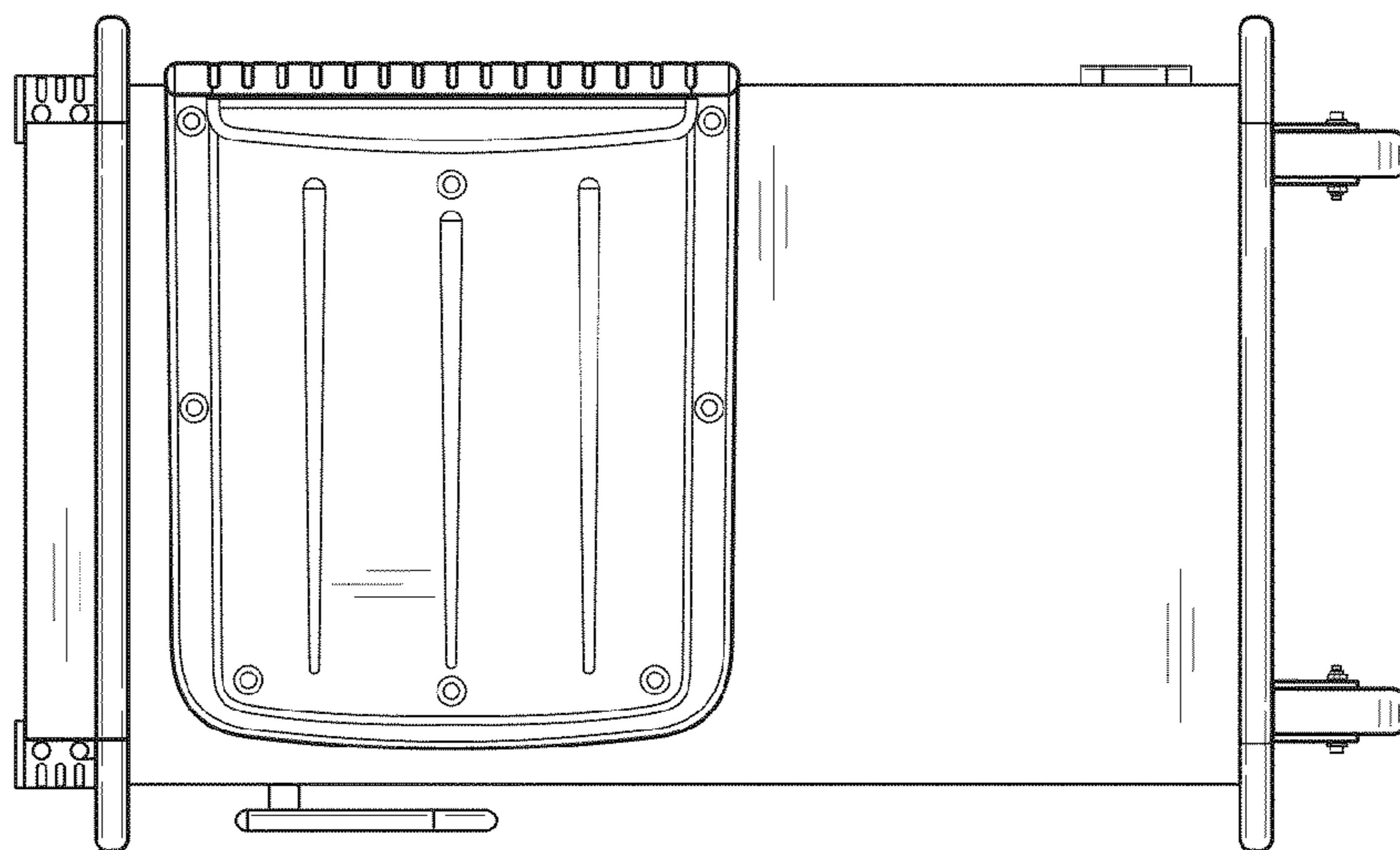


FIG. 17

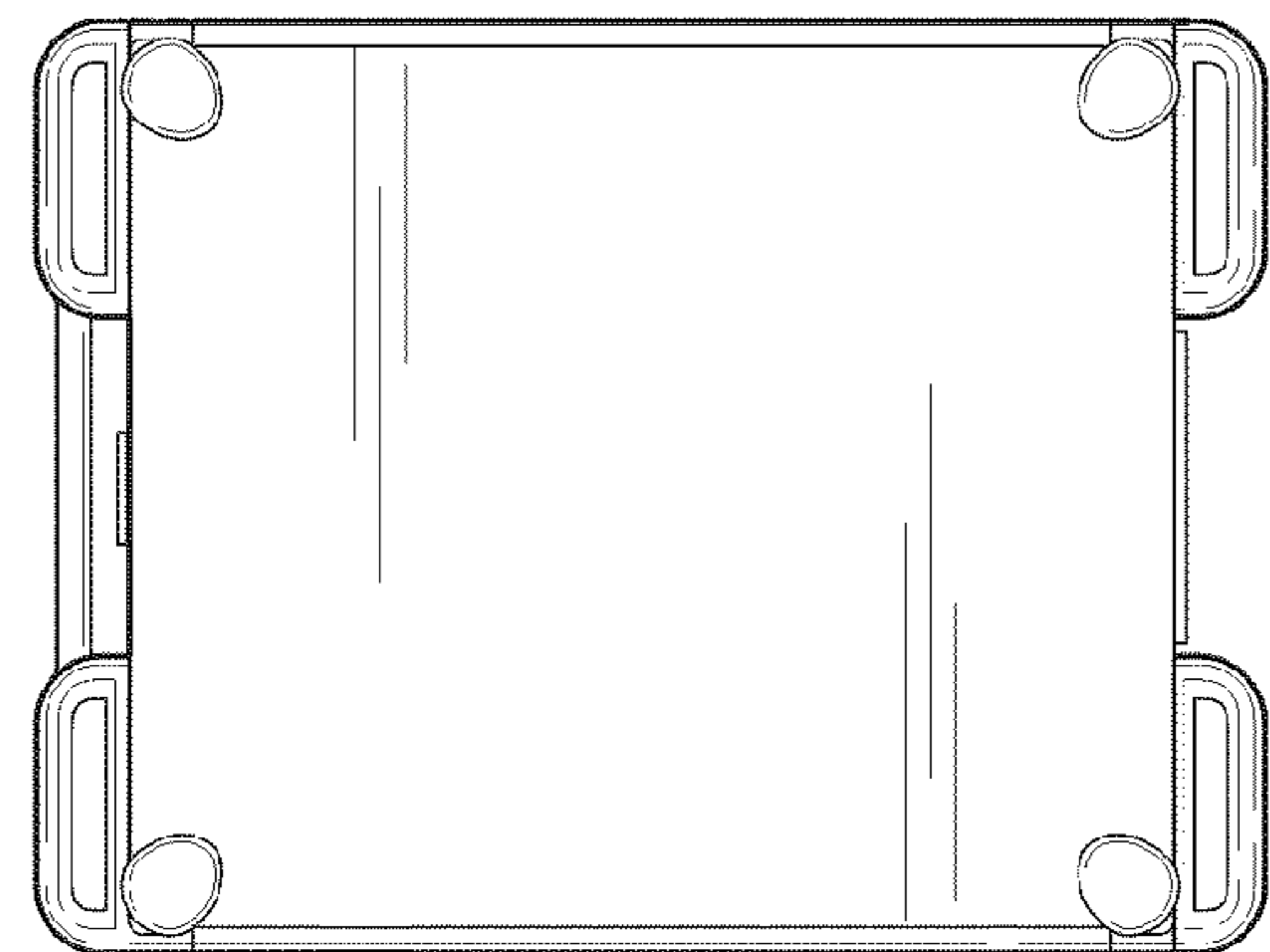


FIG. 20

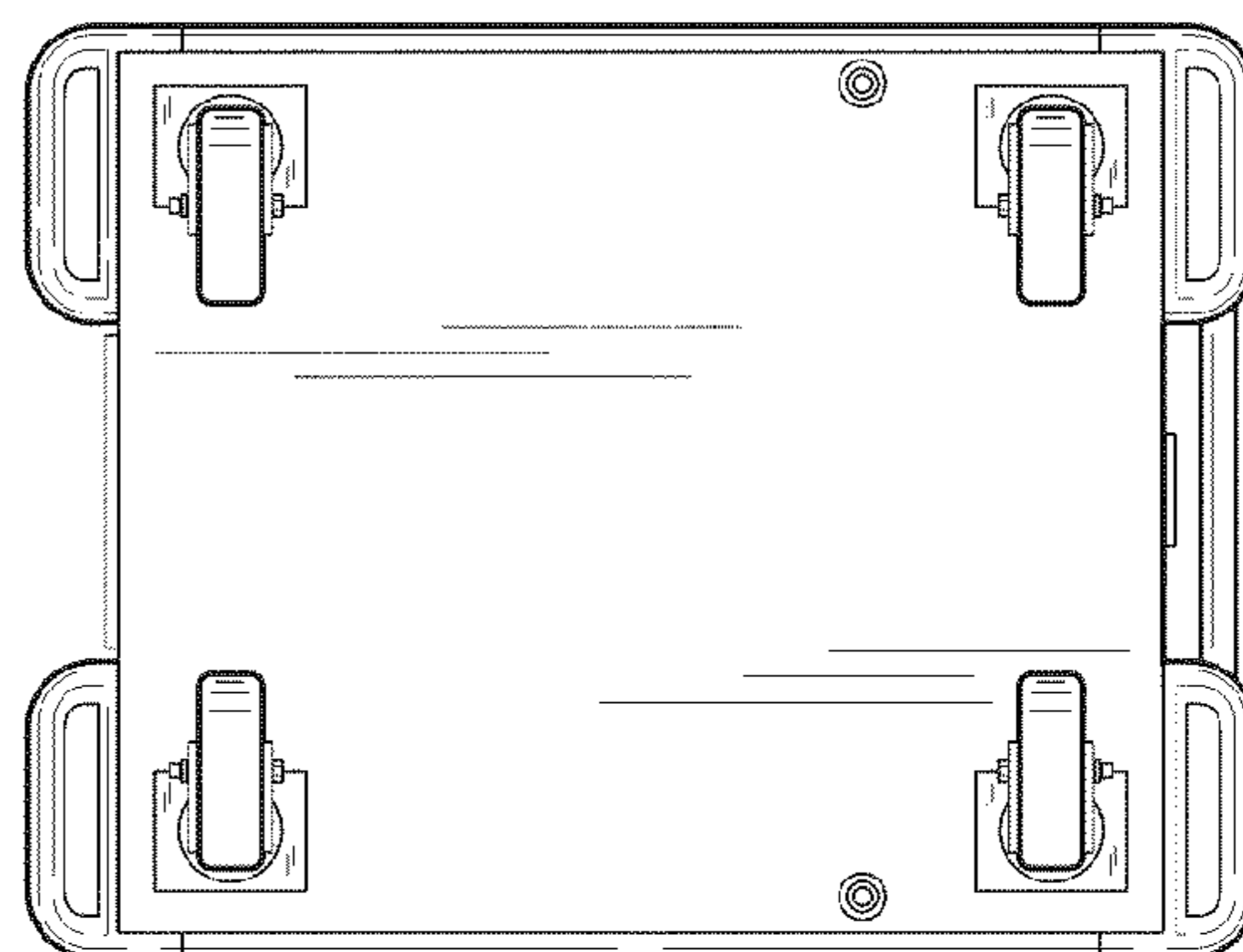


FIG. 21

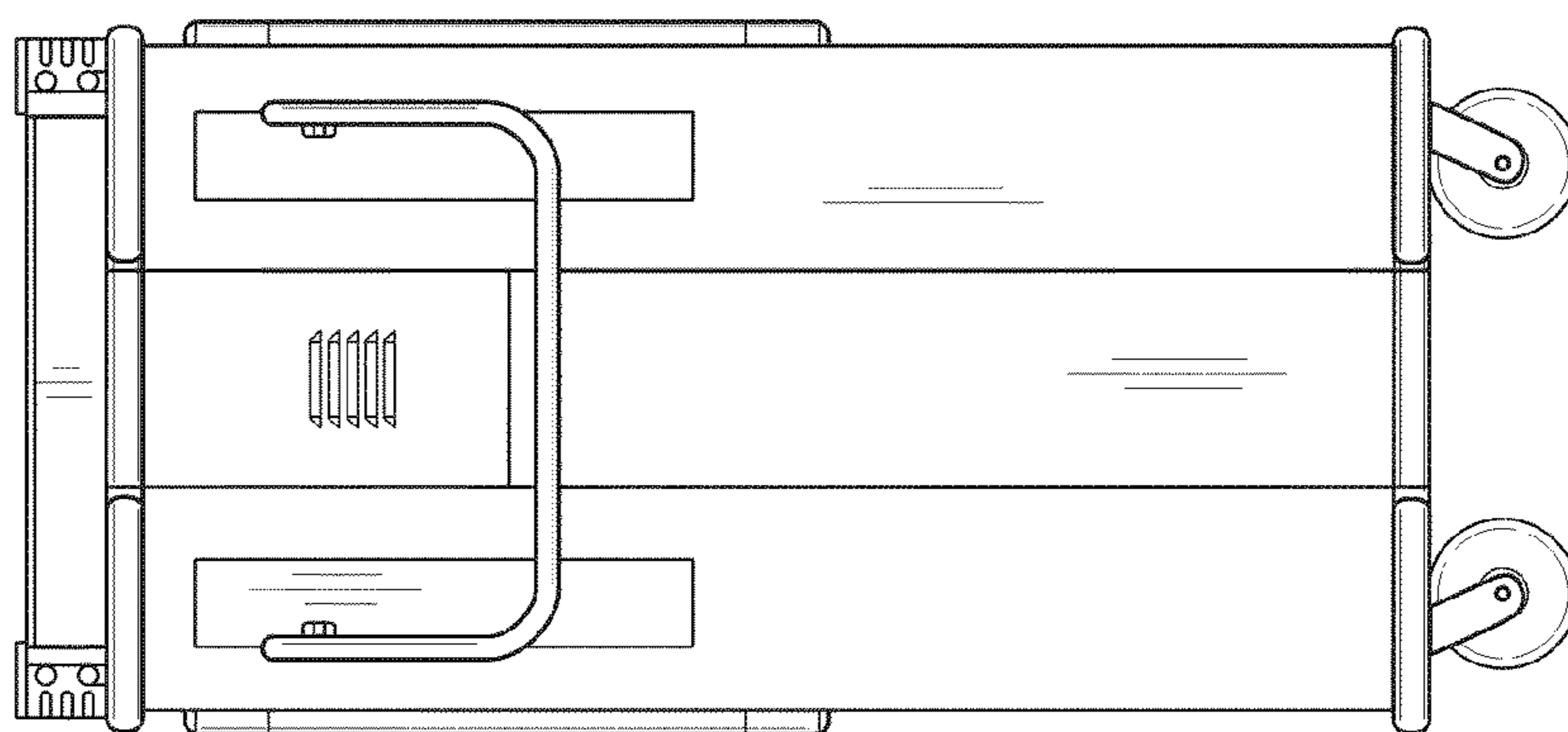


FIG. 19

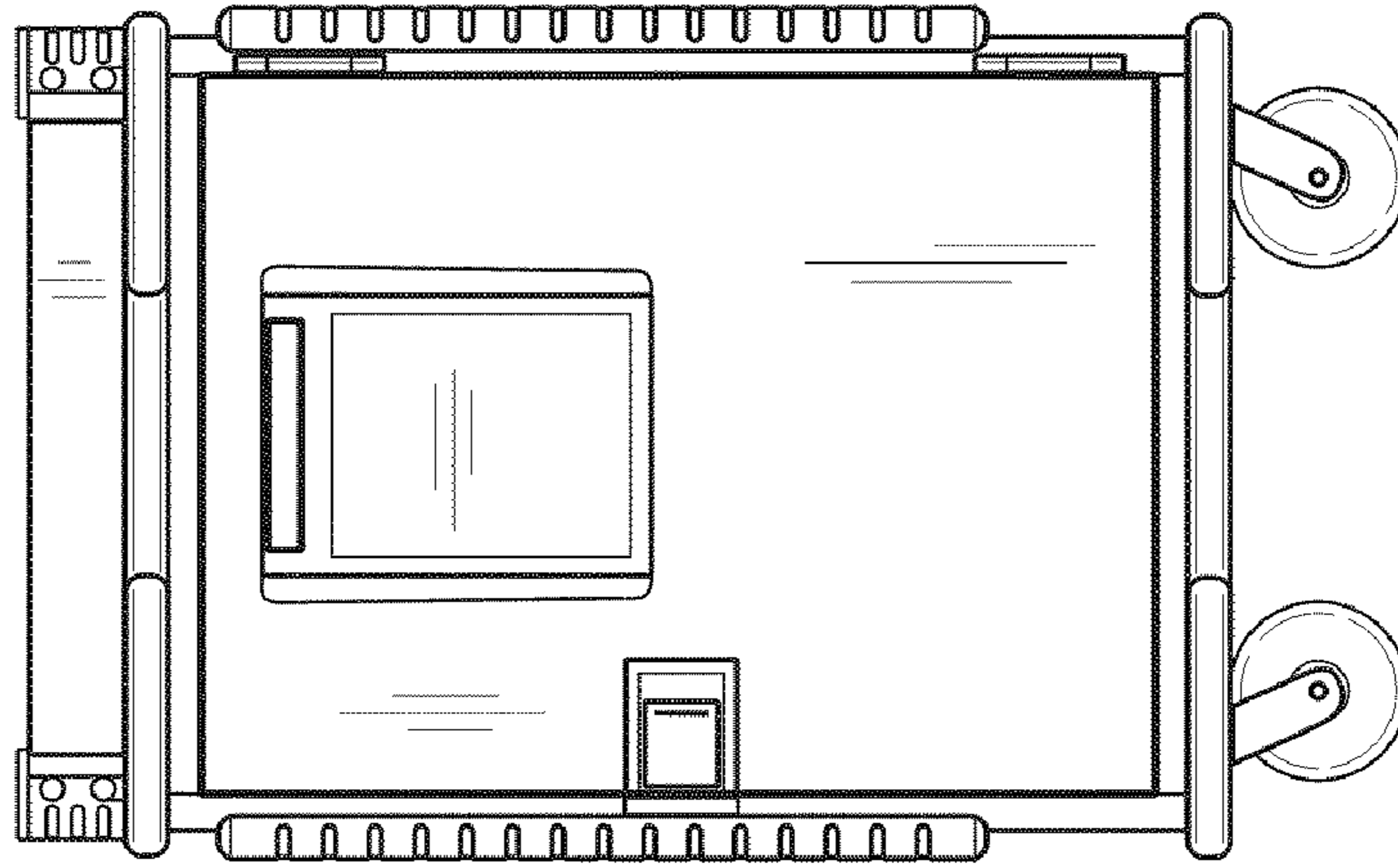


FIG. 23

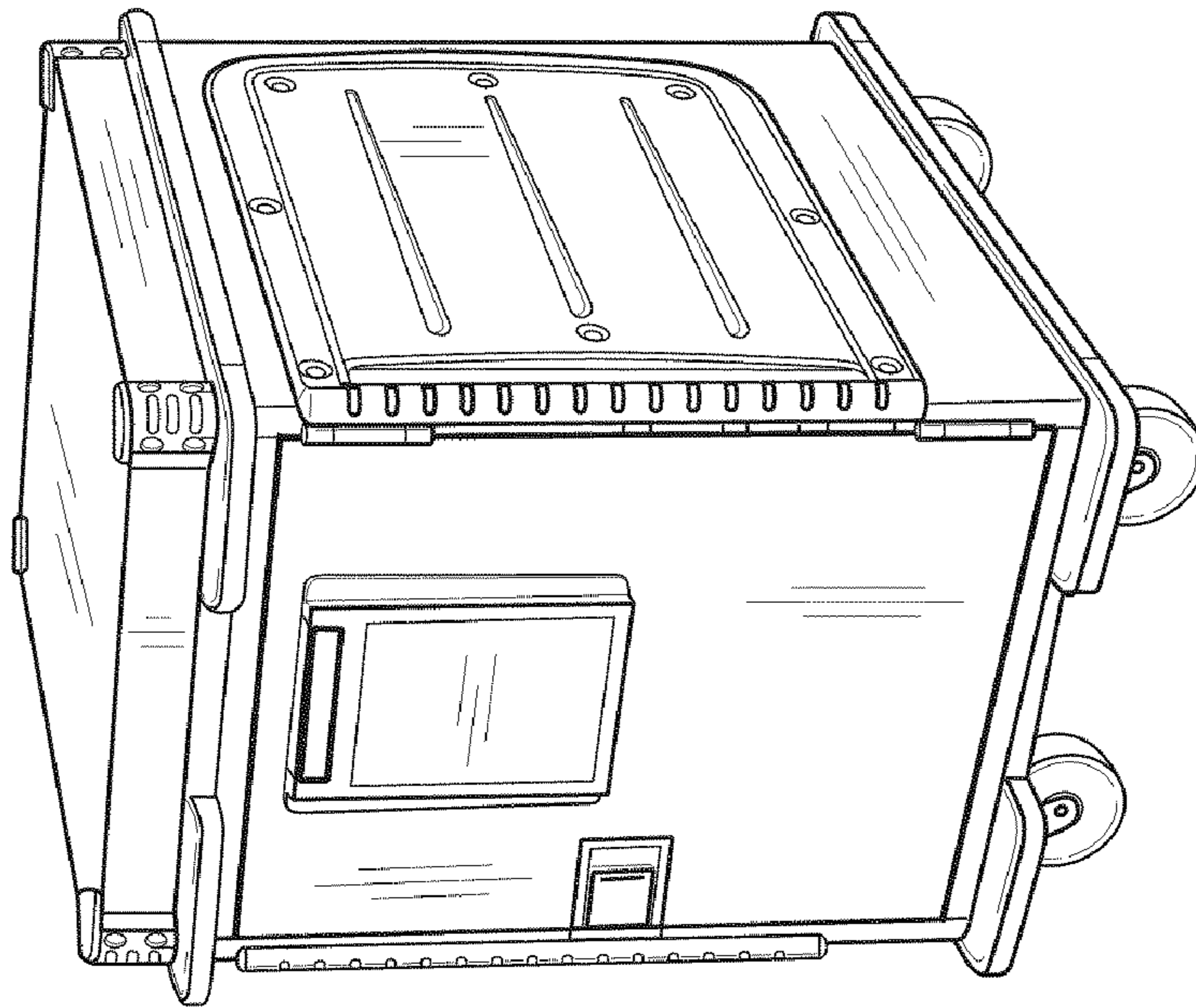


FIG. 22

FIG. 25

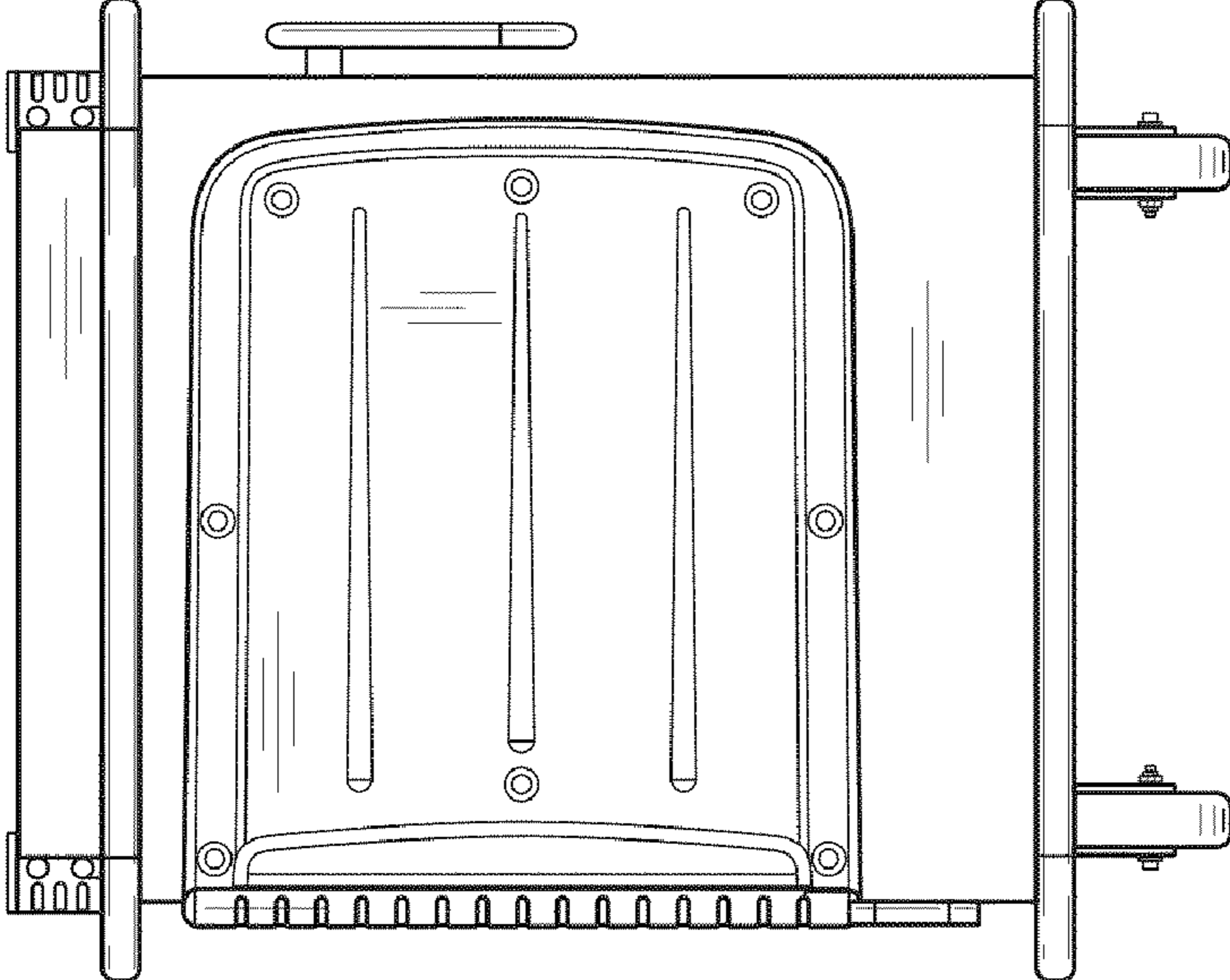
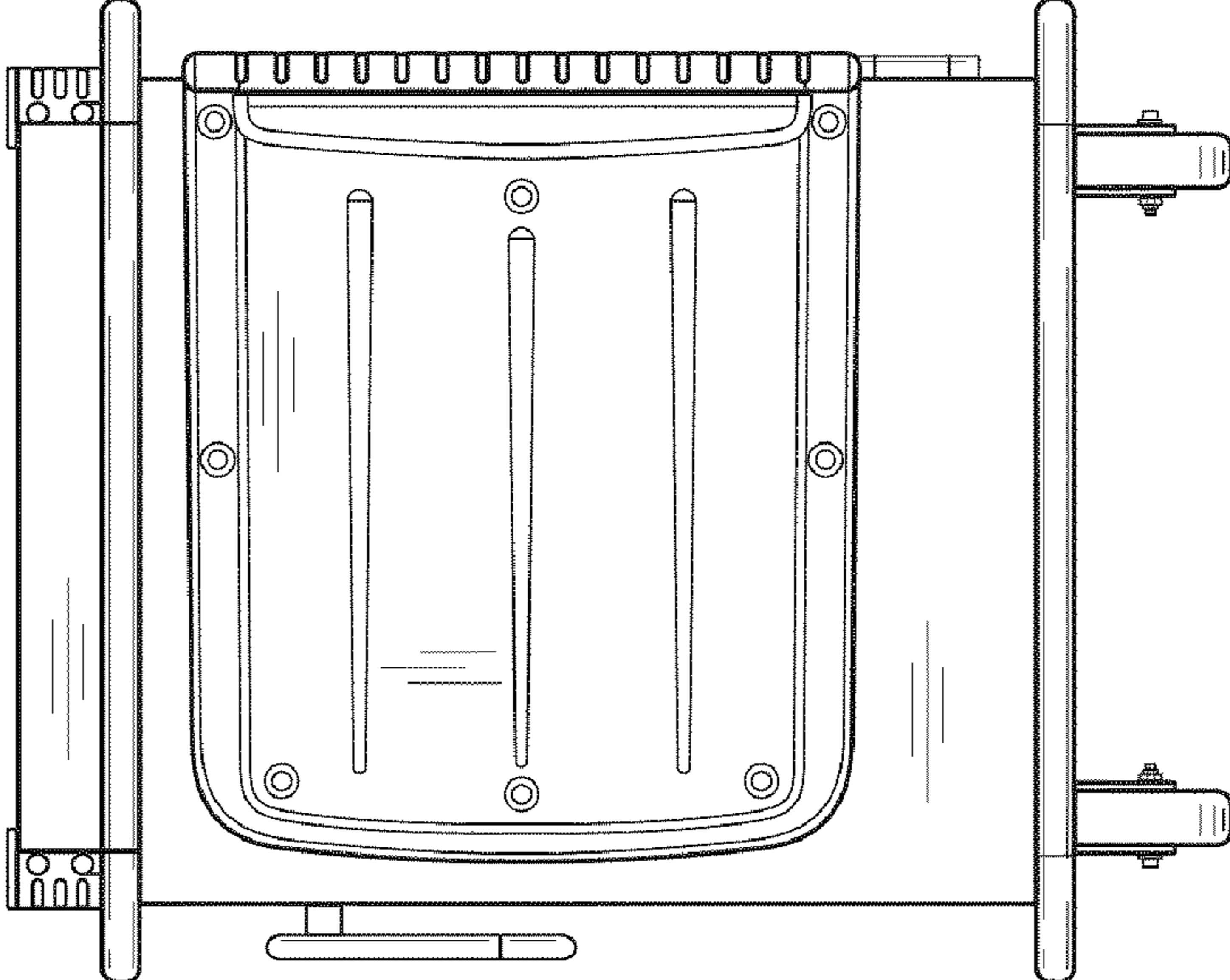


FIG. 24



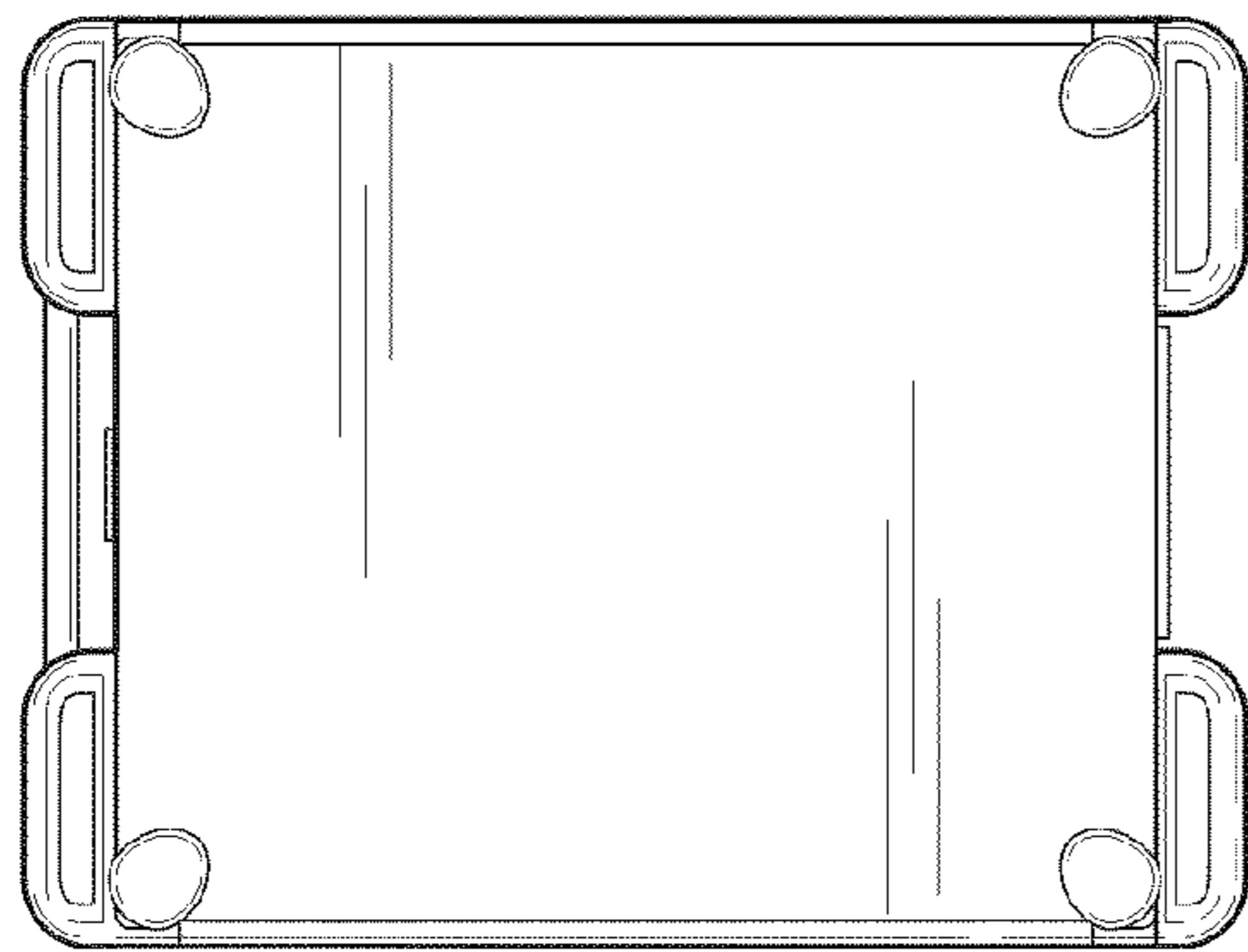


FIG. 27

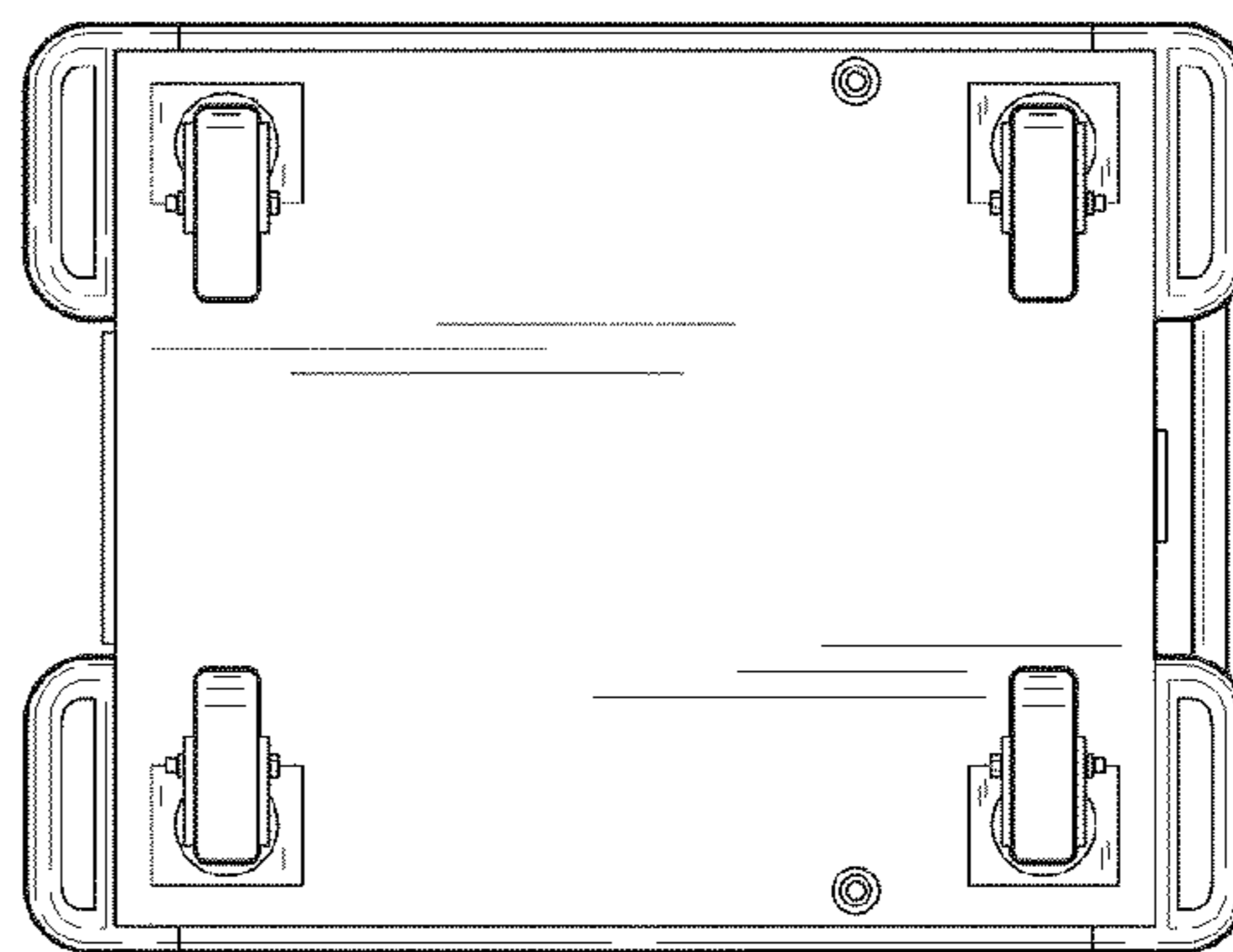


FIG. 28

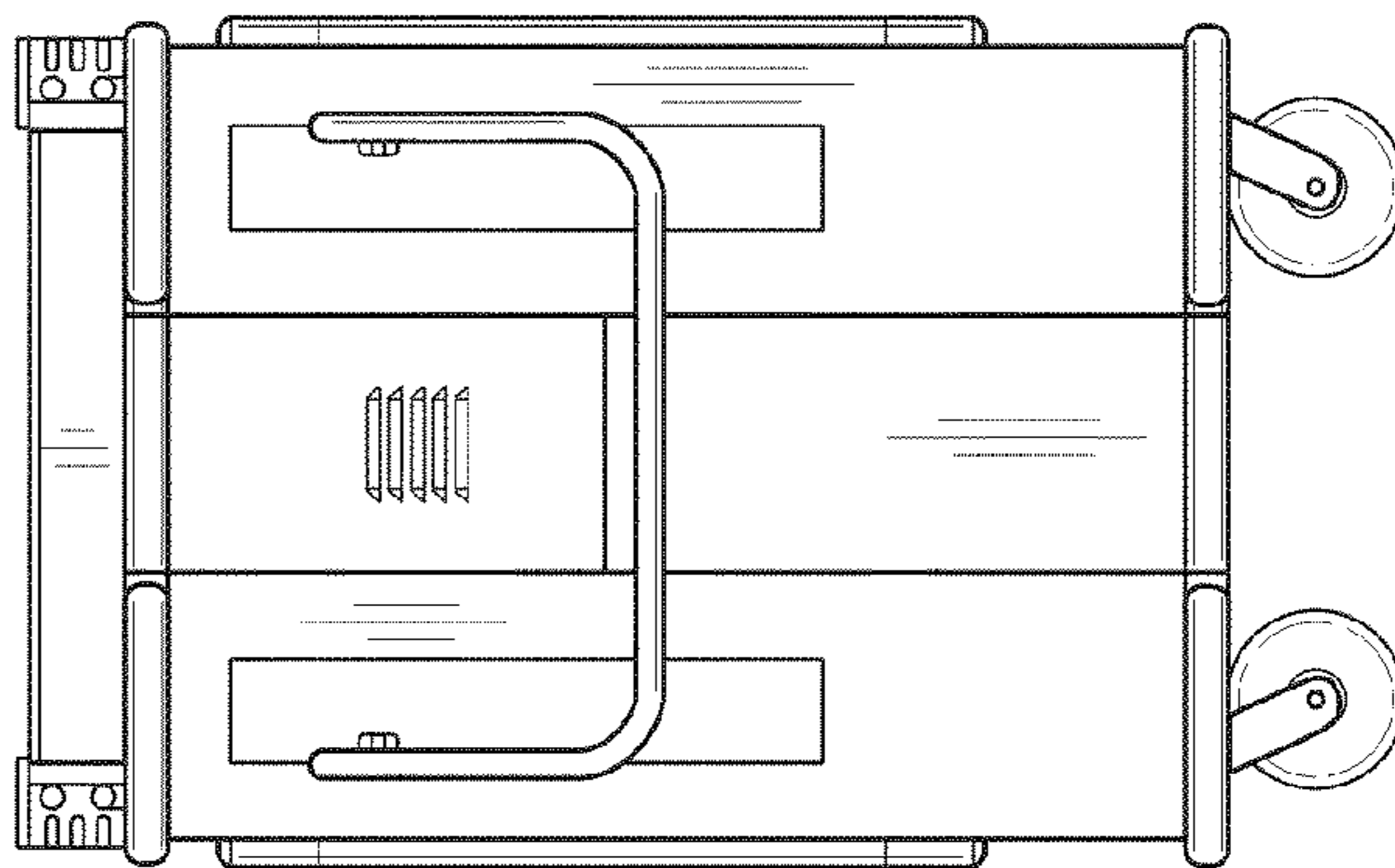


FIG. 26