



US00D647748S

(12) **United States Design Patent**
Beekhuis et al.

(10) **Patent No.:** **US D647,748 S**

(45) **Date of Patent:** **** Nov. 1, 2011**

(54) **MACHINE FOR DISPENSING BEER OR
OTHER BEVERAGES**

(75) Inventors: **Frank Beekhuis**, Asten (NL); **Wim van
der Linden**, Mierlo (NL)

(73) Assignee: **Niro-Plan AG**, Aarburg (CH)

(**) Term: **14 Years**

(21) Appl. No.: **29/376,747**

(22) Filed: **Oct. 12, 2010**

(30) **Foreign Application Priority Data**

Apr. 12, 2010 (EM) 001693342

(51) **LOC (9) Cl.** **07-01**

(52) **U.S. Cl.** **D7/306; D7/313; D7/300**

(58) **Field of Classification Search** D7/300,
D7/305, 306, 313; 222/185.1, 146.6, 183;
210/774; D15/82

See application file for complete search history.

(56) **References Cited**

U.S. PATENT DOCUMENTS

D49,153	S	*	6/1916	Mabey	D7/305
D49,939	S	*	11/1916	Stern	D7/306
D49,940	S	*	11/1916	Stern	D7/306
D160,784	S	*	11/1950	Huffman	D7/305
D193,830	S	*	10/1962	Smith	D7/306
D203,963	S	*	3/1966	Frank	D7/306
D487,377	S	*	3/2004	McDougall et al.	D7/398
7,661,556	B2	*	2/2010	van der Klaauw et al.	222/1

* cited by examiner

Primary Examiner — Marianne Pandozzi

(74) *Attorney, Agent, or Firm* — Volpe and Koenig, P.C.

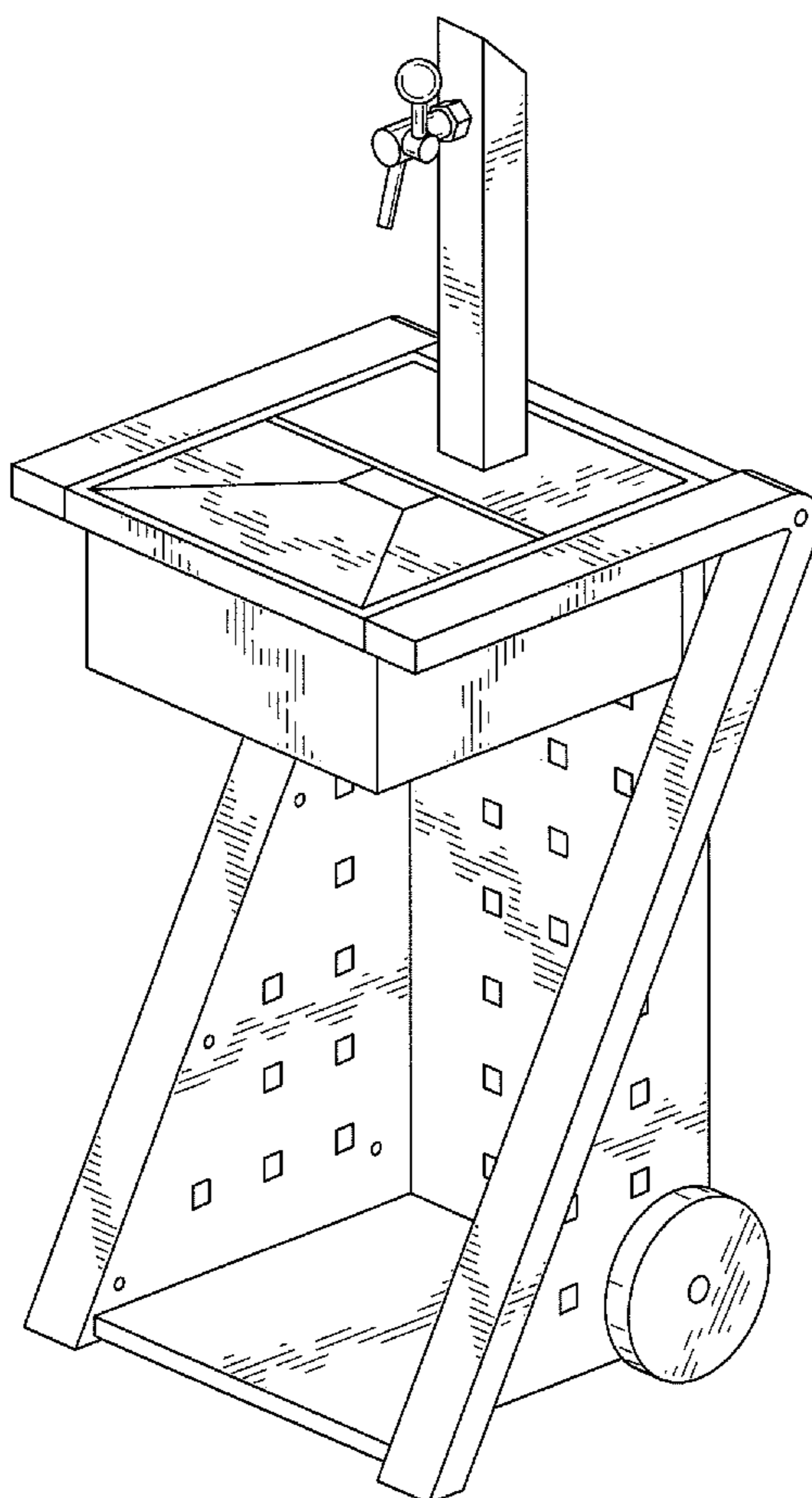
(57) **CLAIM**

The ornamental design for machine for dispensing beer or other beverages, as shown and described.

DESCRIPTION

FIG. 1 is a top front left side perspective view of a machine for dispensing beer or other beverages showing our new design; FIG. 2 is a top, front, left side perspective view thereof; FIG. 3 is a right side elevational view thereof; FIG. 4 is a front elevational view thereof; FIG. 5 is a rear elevational view thereof; FIG. 6 is a top plan view thereof; and, FIG. 7 is a bottom plan view thereof.

1 Claim, 6 Drawing Sheets



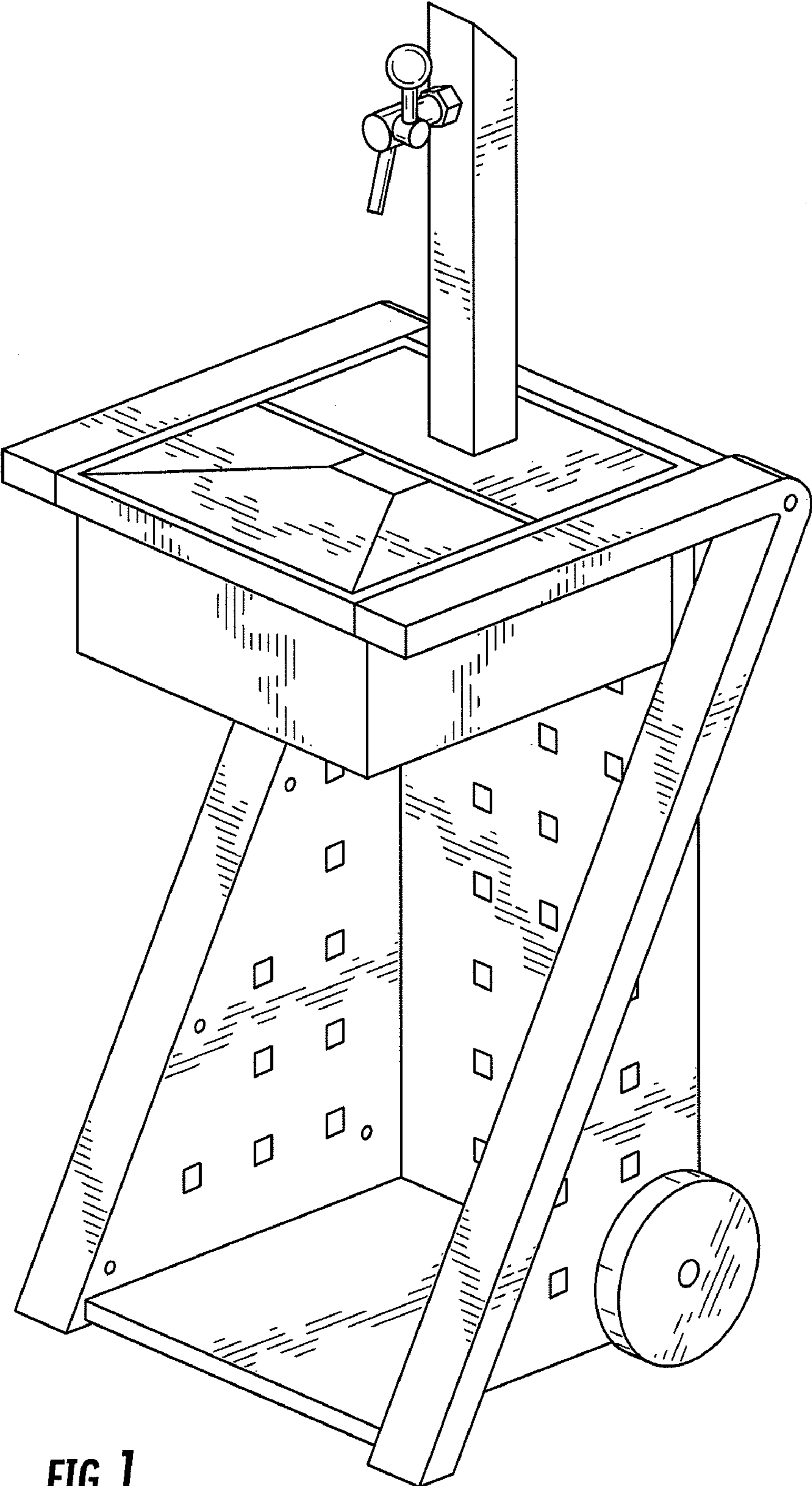


FIG. 1

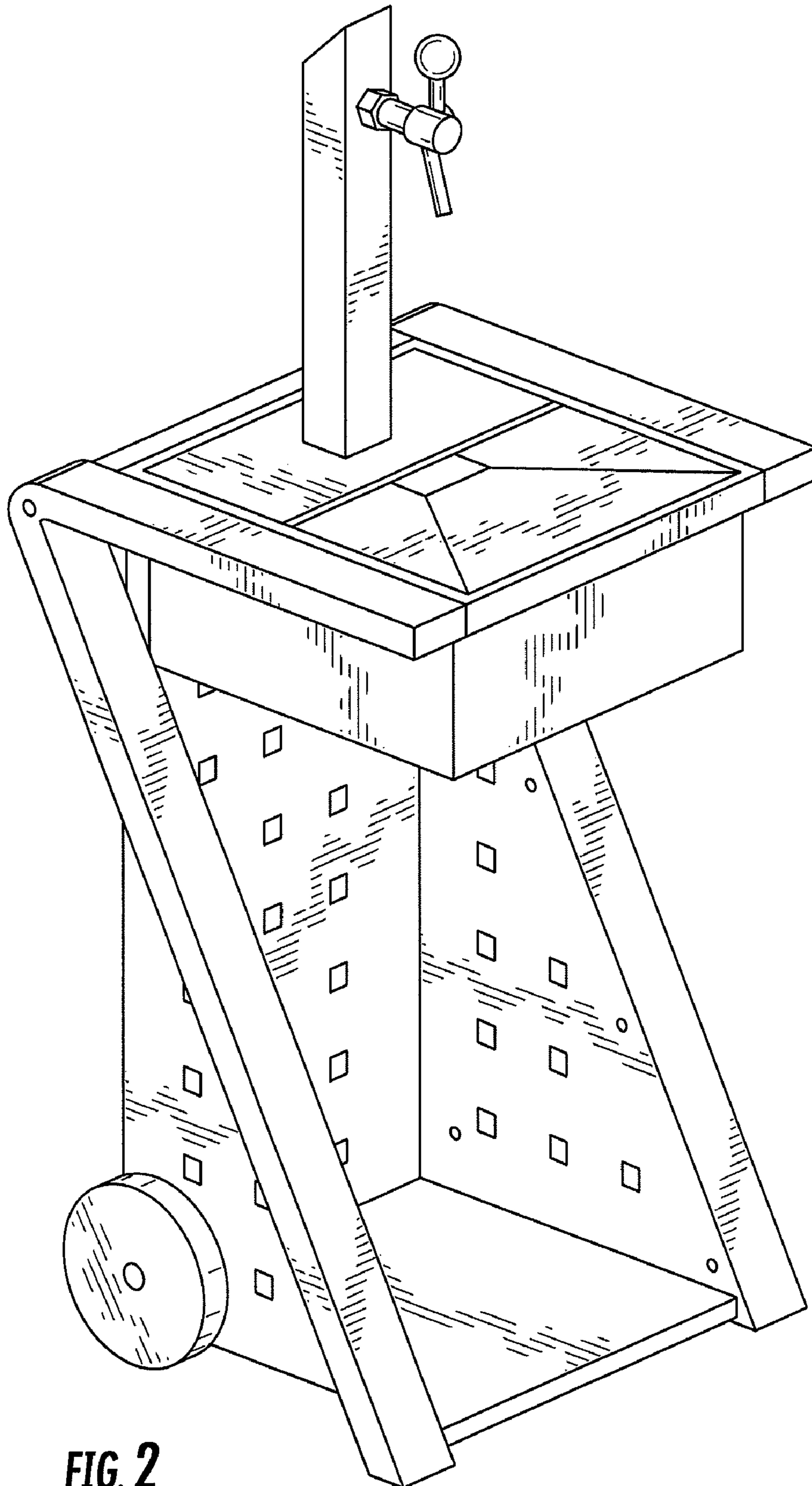


FIG. 2

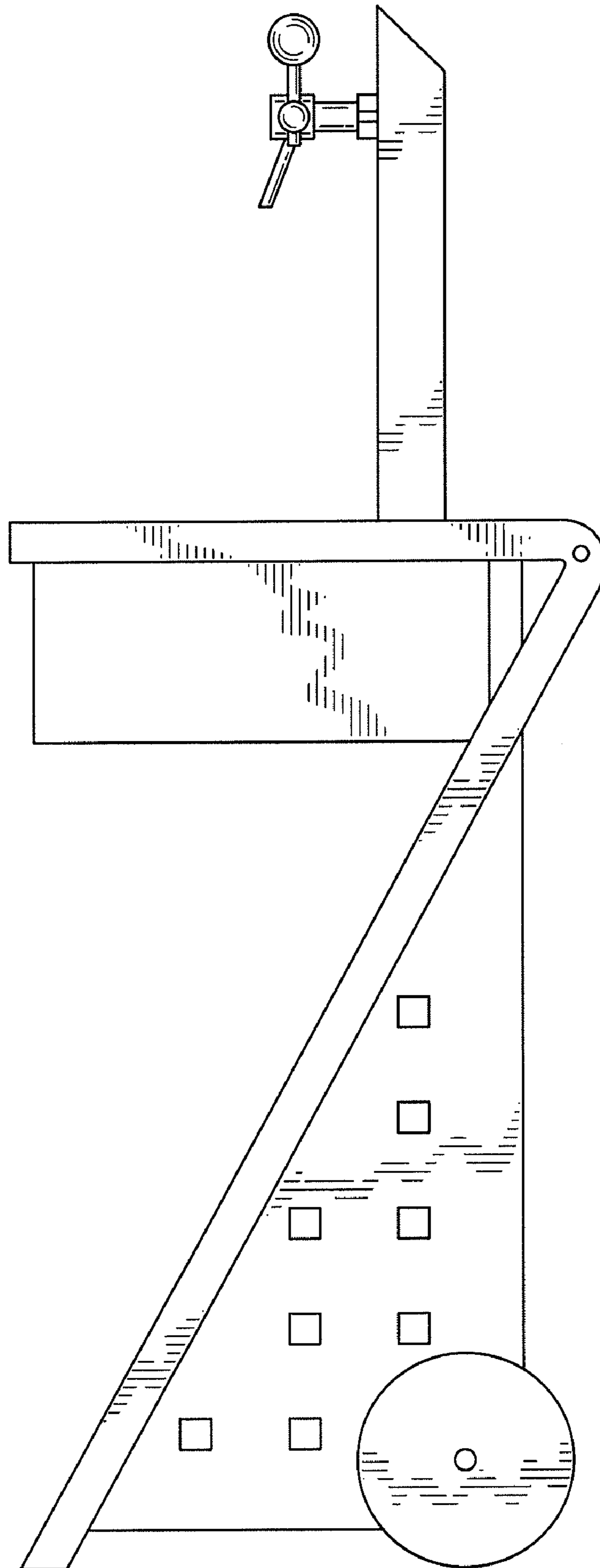


FIG. 3

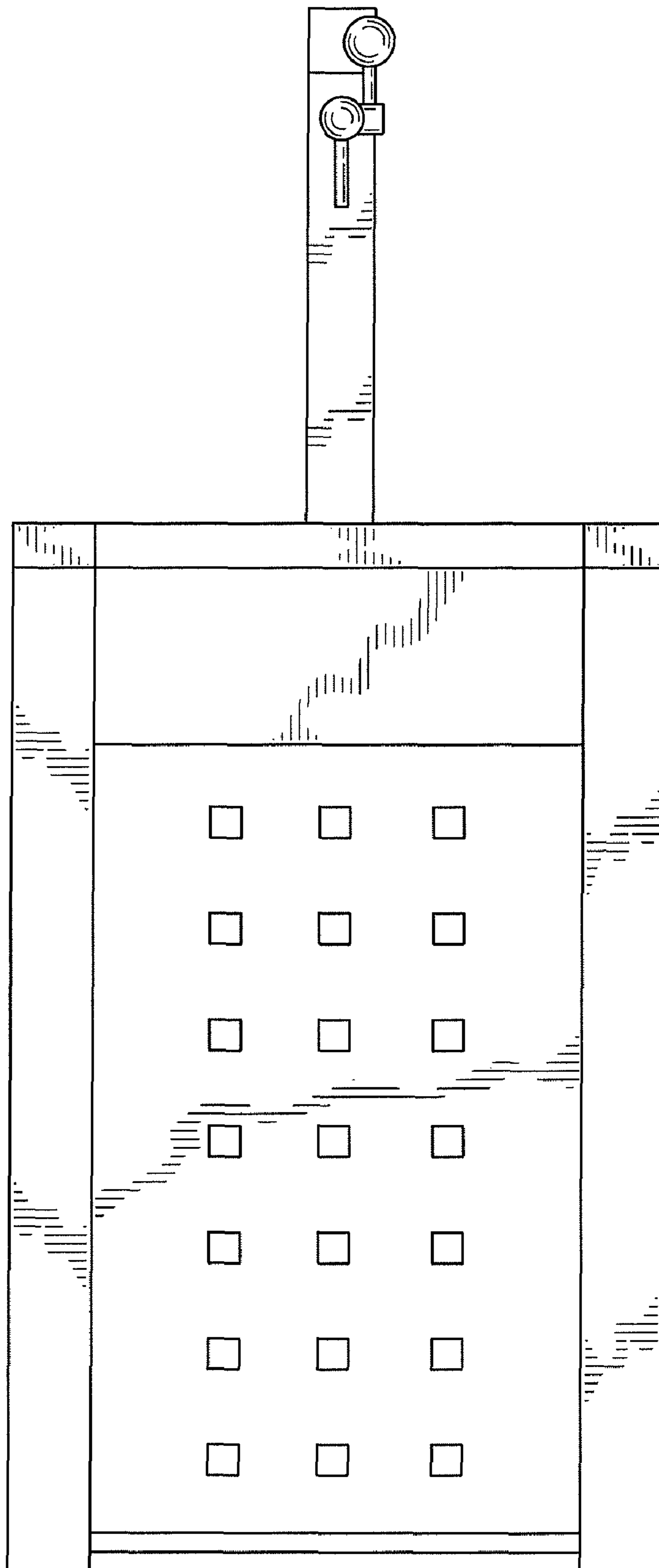


FIG. 4

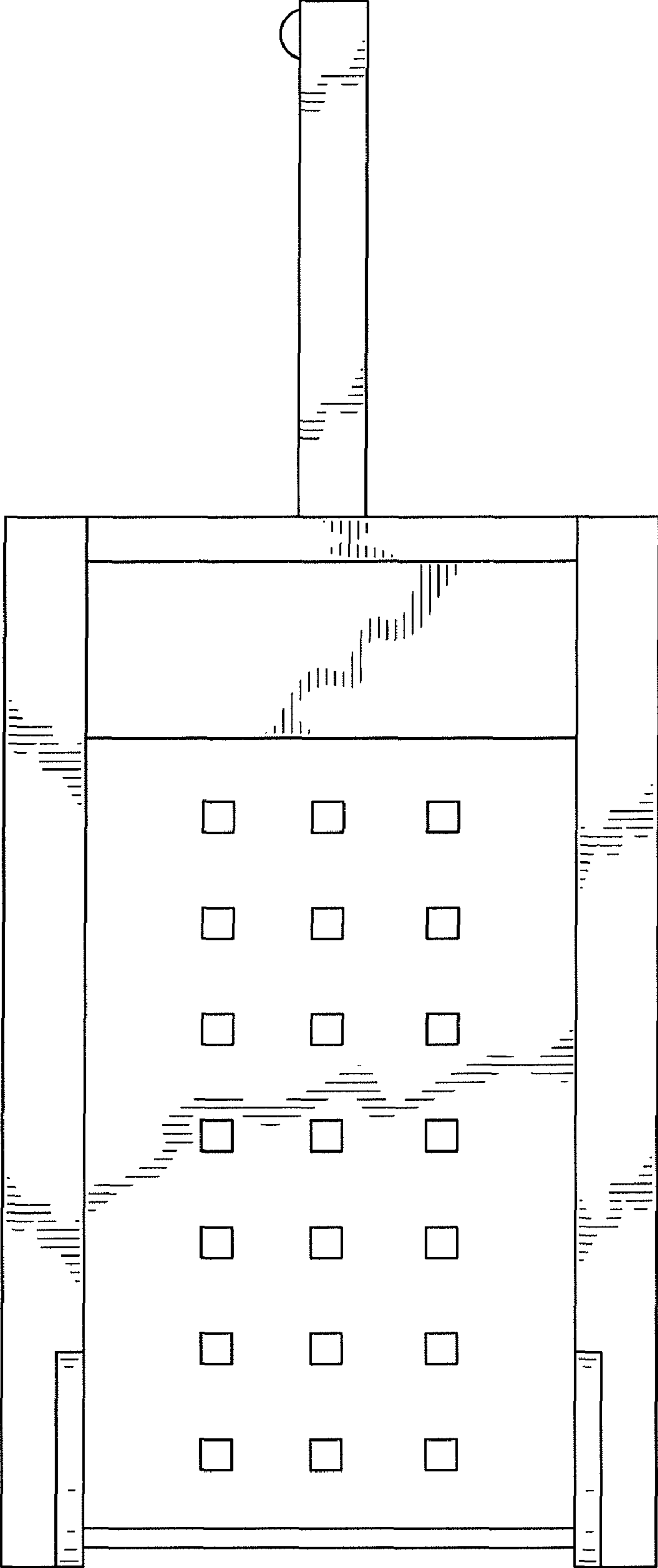


FIG. 5

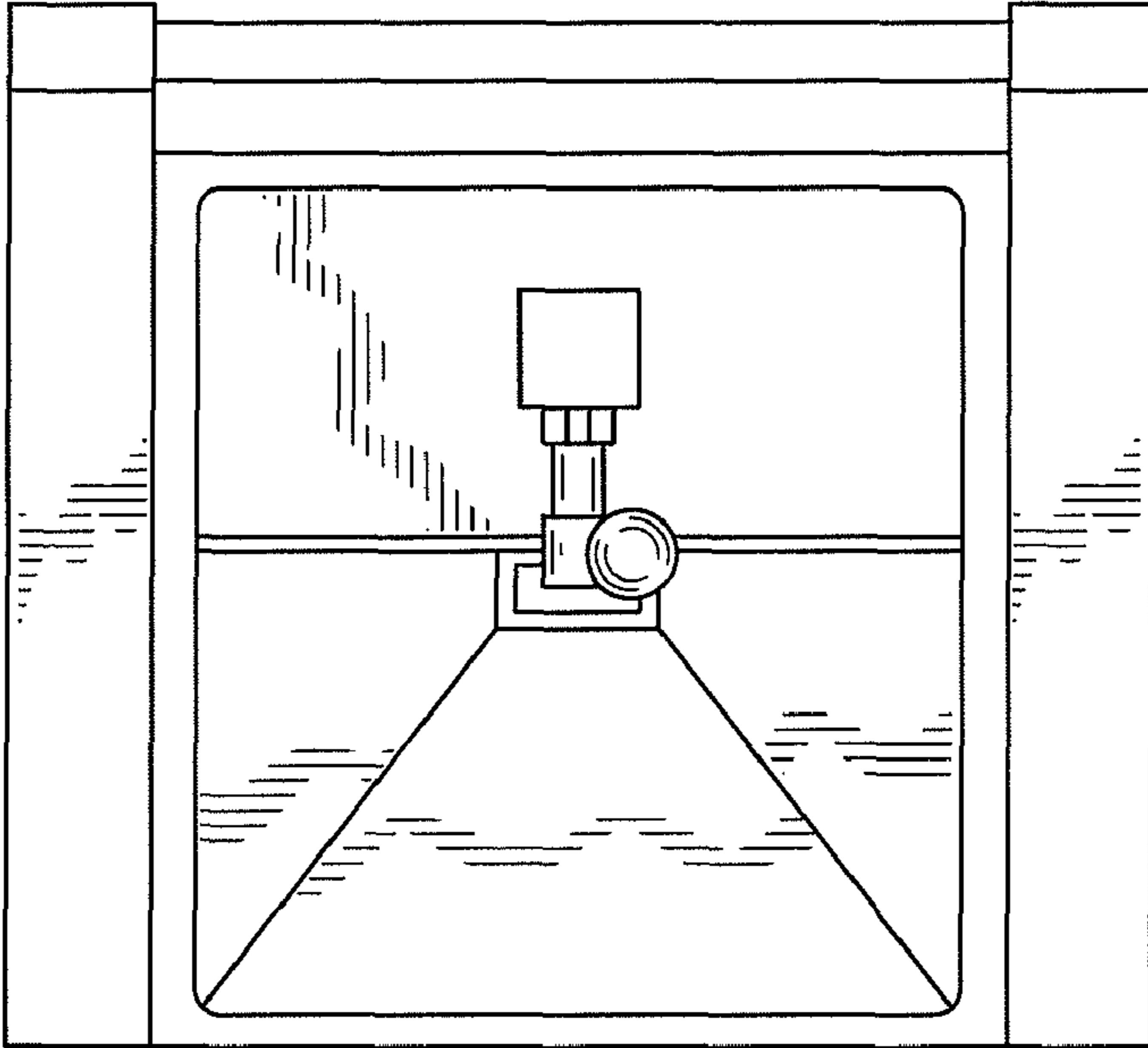


FIG. 6

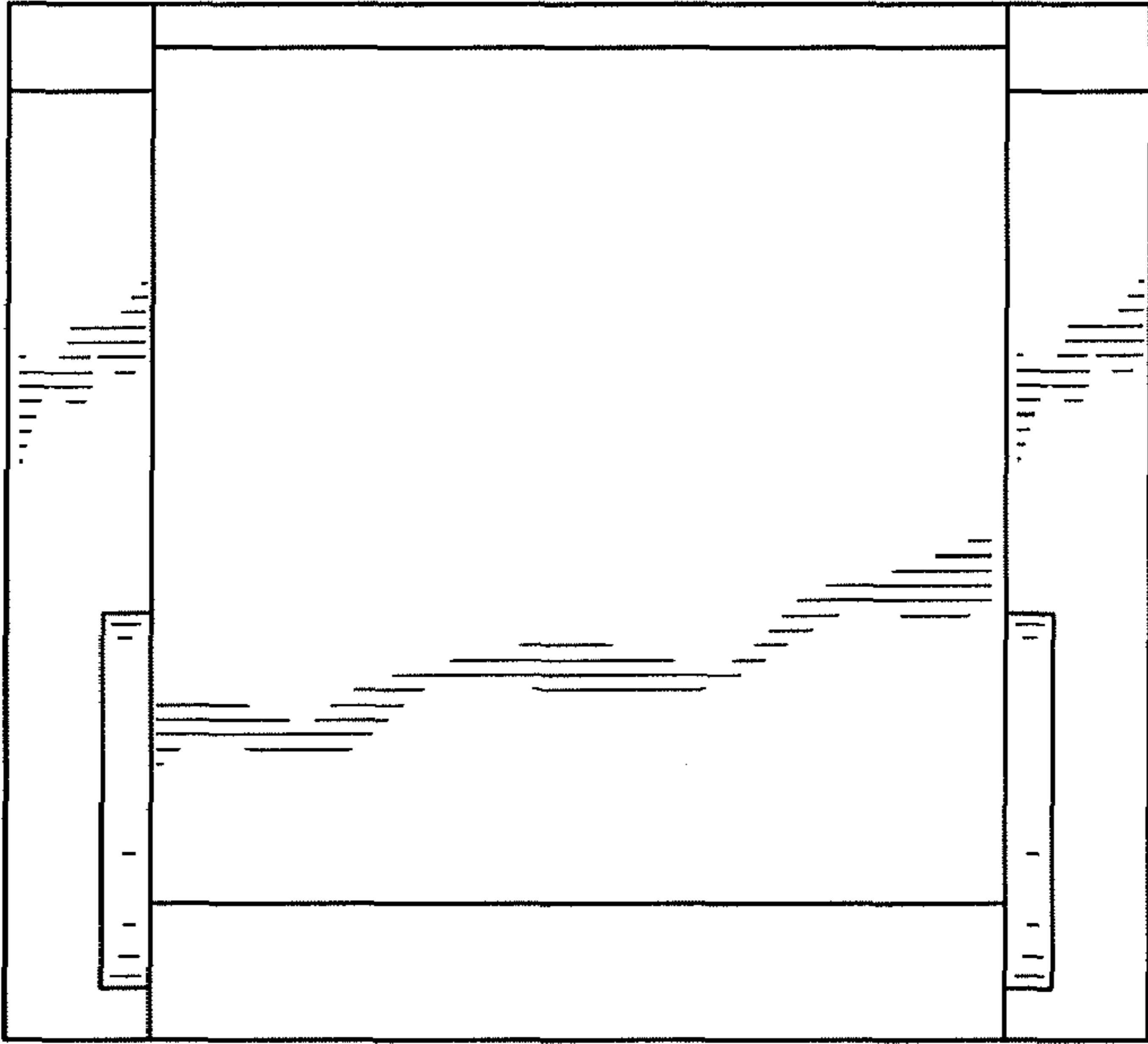


FIG. 7