



US00D647742S

(12) **United States Design Patent**
Pourian

(10) **Patent No.:** **US D647,742 S**
(45) **Date of Patent:** **** Nov. 1, 2011**

(54) **DISPENSER**
(75) Inventor: **Neema Pourian**, Skokie, IL (US)
(73) Assignee: **Wm. Wrigley Jr. Company**, Chicago, IL (US)
(**) Term: **14 Years**
(21) Appl. No.: **29/380,948**
(22) Filed: **Dec. 14, 2010**
(51) **LOC (9) Cl.** **20-02**
(52) **U.S. Cl.** **D6/515**
(58) **Field of Classification Search** D6/515-523;
206/225, 233, 389, 391, 812, 824, 63.5; 211/13.1,
211/45; 222/173, 180; 221/16, 33, 282-283;
242/925, 570, 590; 248/309.1, 309.2, 905;
D9/307, 521, 529, 419, 420; D3/20, 301;
D28/66
See application file for complete search history.

D509,689 S * 9/2005 Ho D6/515
D531,631 S 11/2006 Andre et al.
D572,955 S * 7/2008 Barcena Zafra D6/515
D627,181 S * 11/2010 Lehr et al. D6/515

FOREIGN PATENT DOCUMENTS

FR 2636825 3/1990
GB 255381 7/1926
GB 666030 2/1952
GB 993354 5/1965
GB 2053869 2/1981

* cited by examiner

Primary Examiner — Brian N Vinson

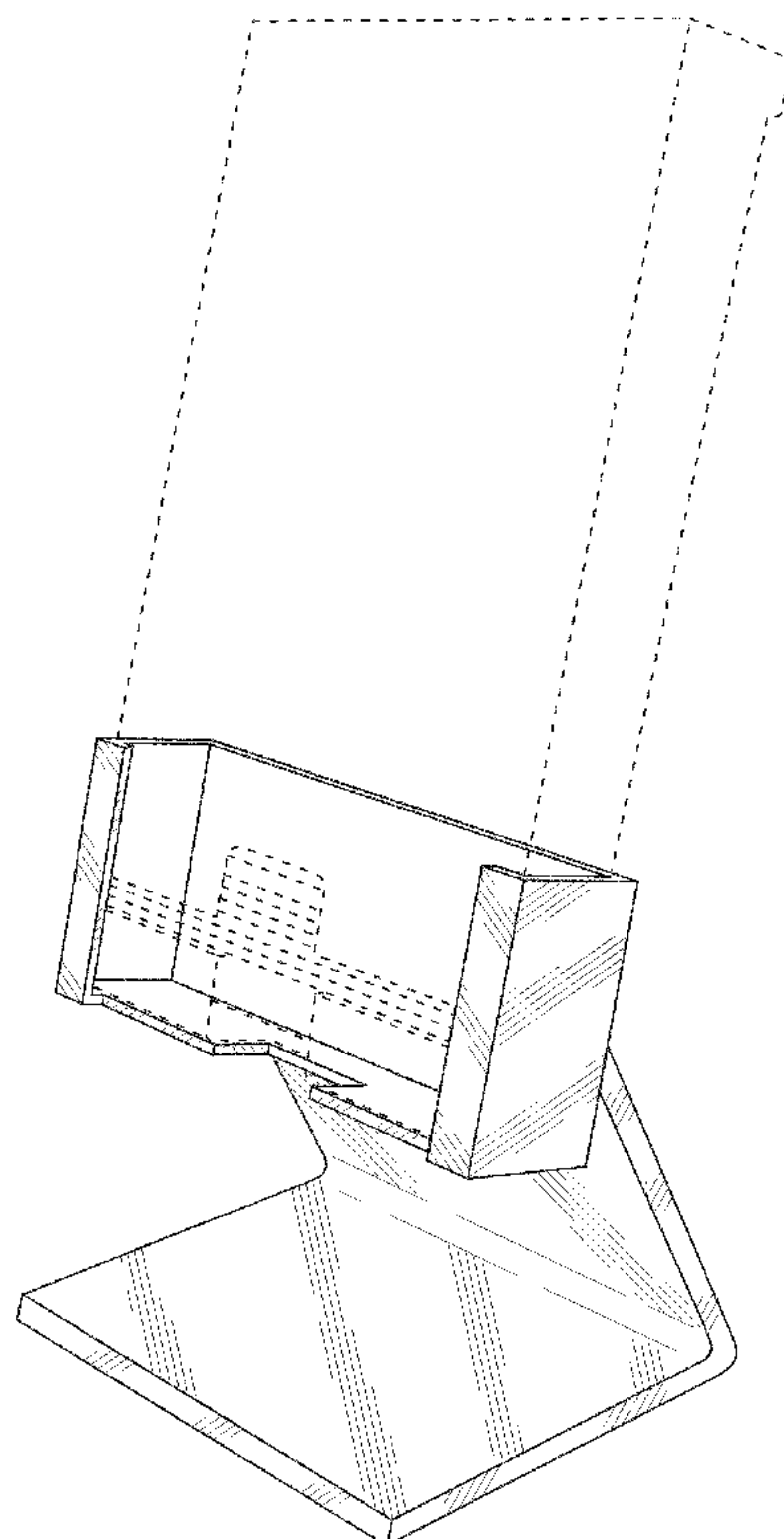
(57) **CLAIM**
The ornamental design for a dispenser, as shown and described.

DESCRIPTION

FIG. 1 is a perspective view showing my new design;
FIG. 2 is a front view thereof.
FIG. 3 is a back view thereof;
FIG. 4 is a left side view thereof, with the right side view being a mirror image thereof;
FIG. 5 is a top view thereof; and,
FIG. 6 is a bottom view thereof.
The broken lines are included for the purpose of illustrating an insert that forms no part of the claimed design.

1 Claim, 3 Drawing Sheets

(56) **References Cited**
U.S. PATENT DOCUMENTS
D247,598 S 3/1978 Kearney
D248,795 S 8/1978 Restaino
D250,240 S * 11/1978 Braginetz D6/515
D351,863 S 10/1994 Sarkisian et al.
D386,637 S * 11/1997 St-Pierre et al. D6/515
D402,838 S * 12/1998 Sherbet D6/515
D426,990 S * 6/2000 Mitchell D6/517
D434,256 S * 11/2000 Shimbo et al. D6/515
D478,737 S * 8/2003 Sparkowski D6/518



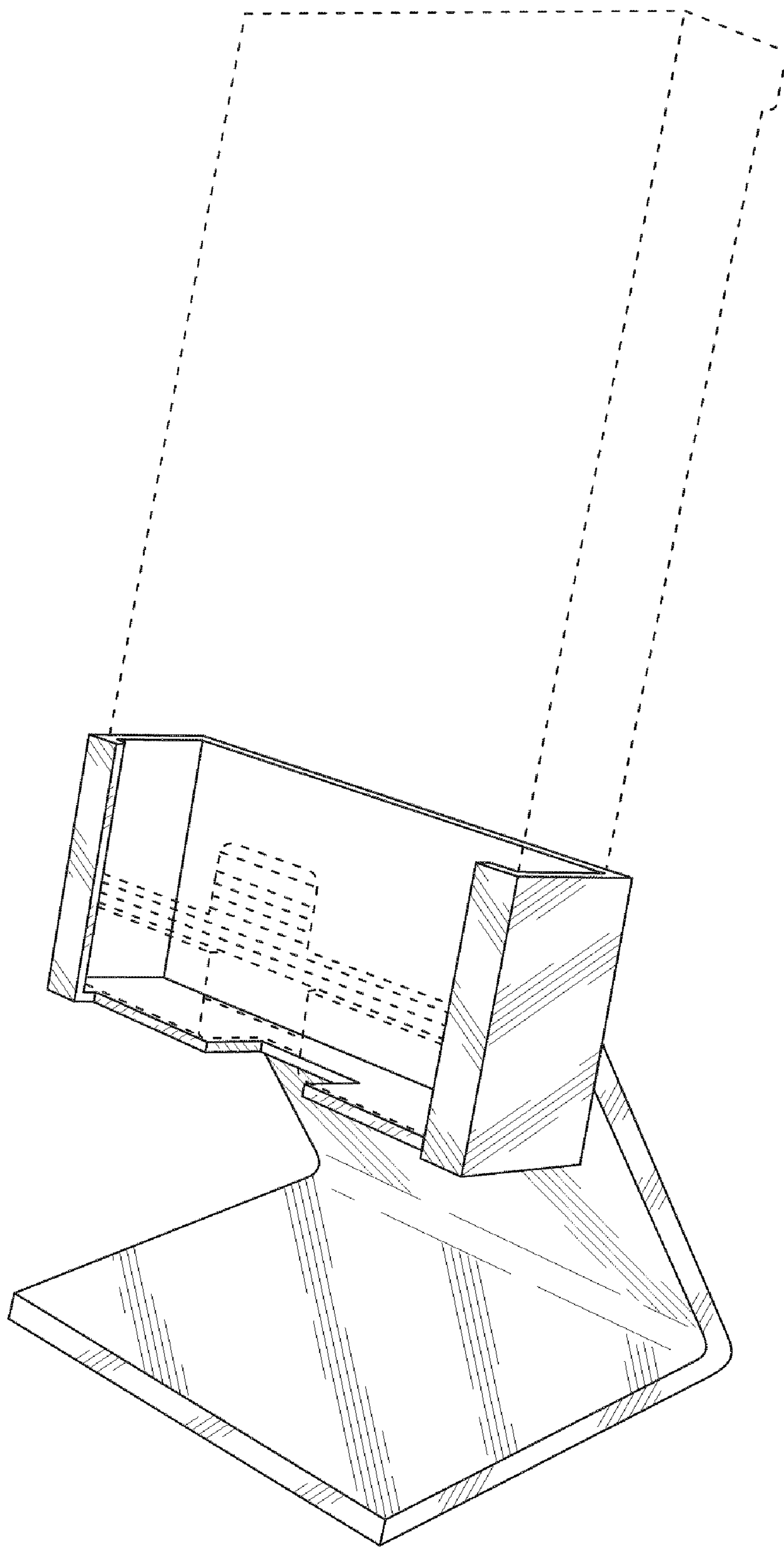


FIG. 1

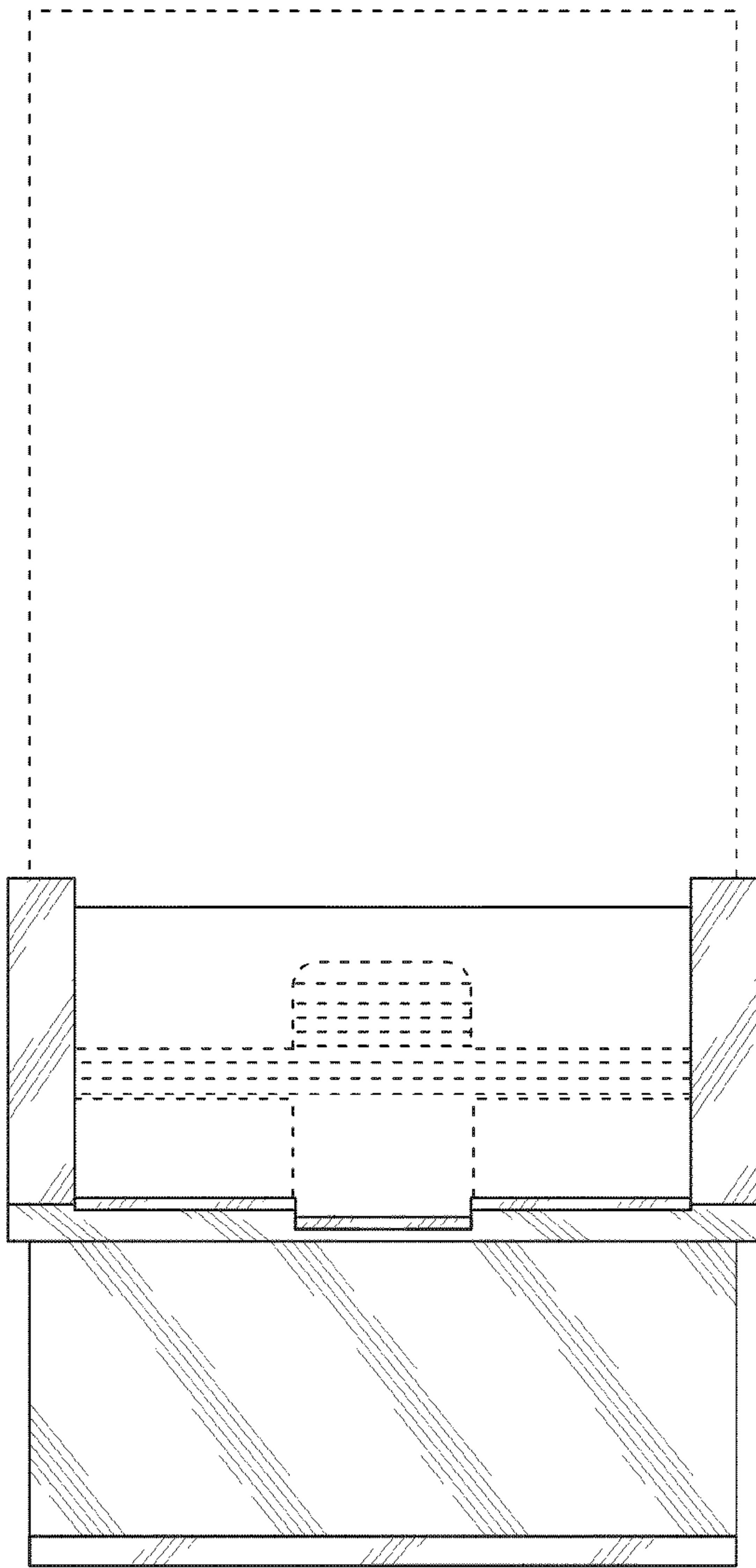


FIG. 2

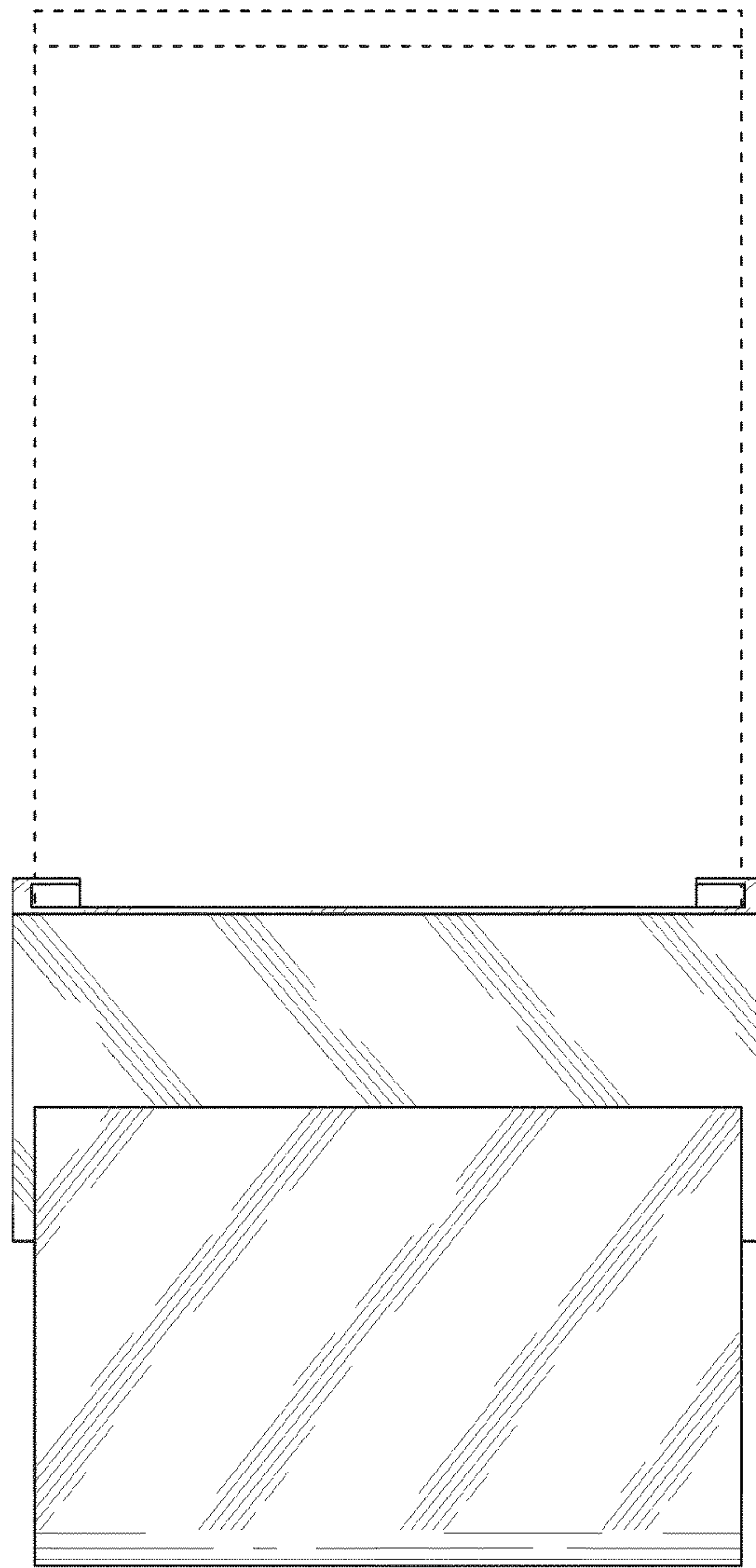


FIG. 3

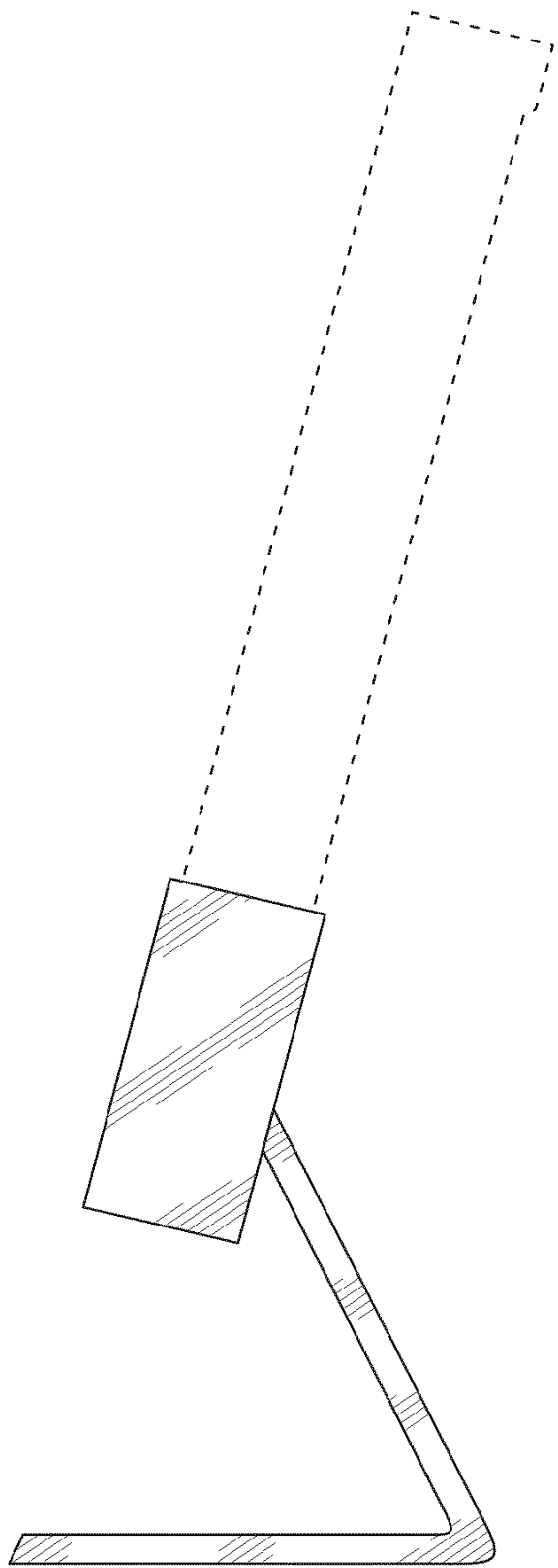


FIG. 4

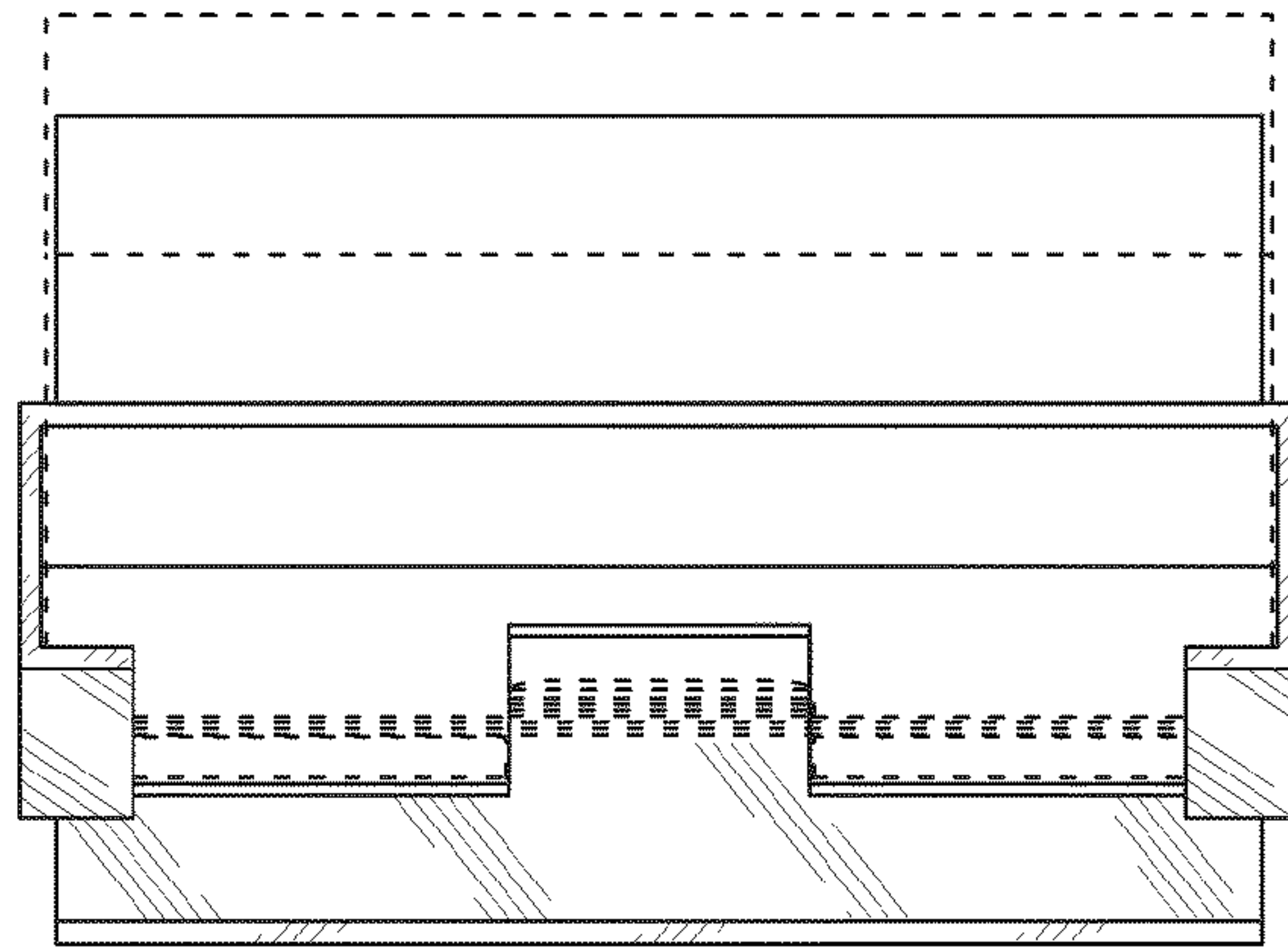


FIG. 5

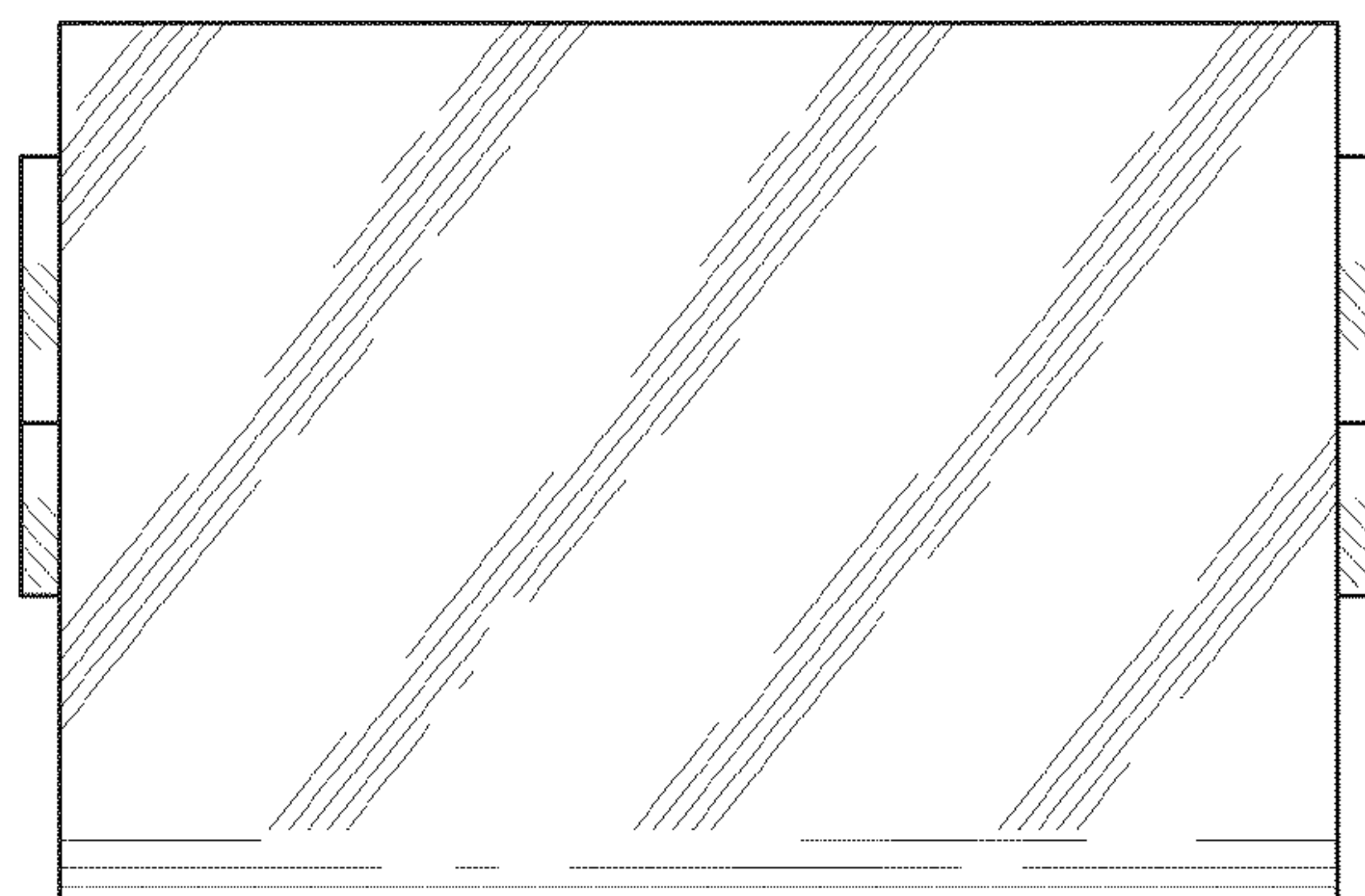


FIG. 6