



US00D647739S

(12) **United States Design Patent**
Gasser

(10) **Patent No.:** **US D647,739 S**

(45) **Date of Patent:** **** Nov. 1, 2011**

(54) **CHAIR BACK**

(75) Inventor: **Mark E. Gasser**, Hubbard, OH (US)

(73) Assignee: **Gasser Chair Company, Inc.**,
Youngstown, OH (US)

(**) Term: **14 Years**

(21) Appl. No.: **29/360,665**

(22) Filed: **Apr. 29, 2010**

(51) **LOC (9) Cl.** **06-04**

(52) **U.S. Cl.** **D6/502**

(58) **Field of Classification Search** D6/334-336,
D6/364, 365, 366, 367, 374, 476, 379, 380,
D6/500-502; 297/300.1, 300.2, 411.27,
297/411.36, 452.18, 452.29, 452.3

See application file for complete search history.

(56) **References Cited**

U.S. PATENT DOCUMENTS

| | | | | |
|--------------|--------|---------------|-------|--------|
| D496,547 S * | 9/2004 | Gasser | | D6/502 |
| D575,563 S * | 8/2008 | Kaczmarek | | D6/502 |
| D577,231 S * | 9/2008 | Kaczmarek | | D6/502 |
| D593,346 S * | 6/2009 | Thompson | | D6/502 |
| D615,784 S * | 5/2010 | Parker et al. | | D6/502 |

| | | | | |
|--------------|--------|---------|-------|--------|
| D641,573 S * | 7/2011 | Tsai | | D6/502 |
| D641,999 S * | 7/2011 | Hazzard | | D6/502 |
| D642,000 S * | 7/2011 | Hazzard | | D6/502 |

OTHER PUBLICATIONS

Gasser Product Catalog, Apr. 2007, p. 42; Publisher: Gasser Chair Company, Inc. ©; Published in 2007.

* cited by examiner

Primary Examiner — Brian N Vinson

(74) *Attorney, Agent, or Firm* — Robert J. Herberger

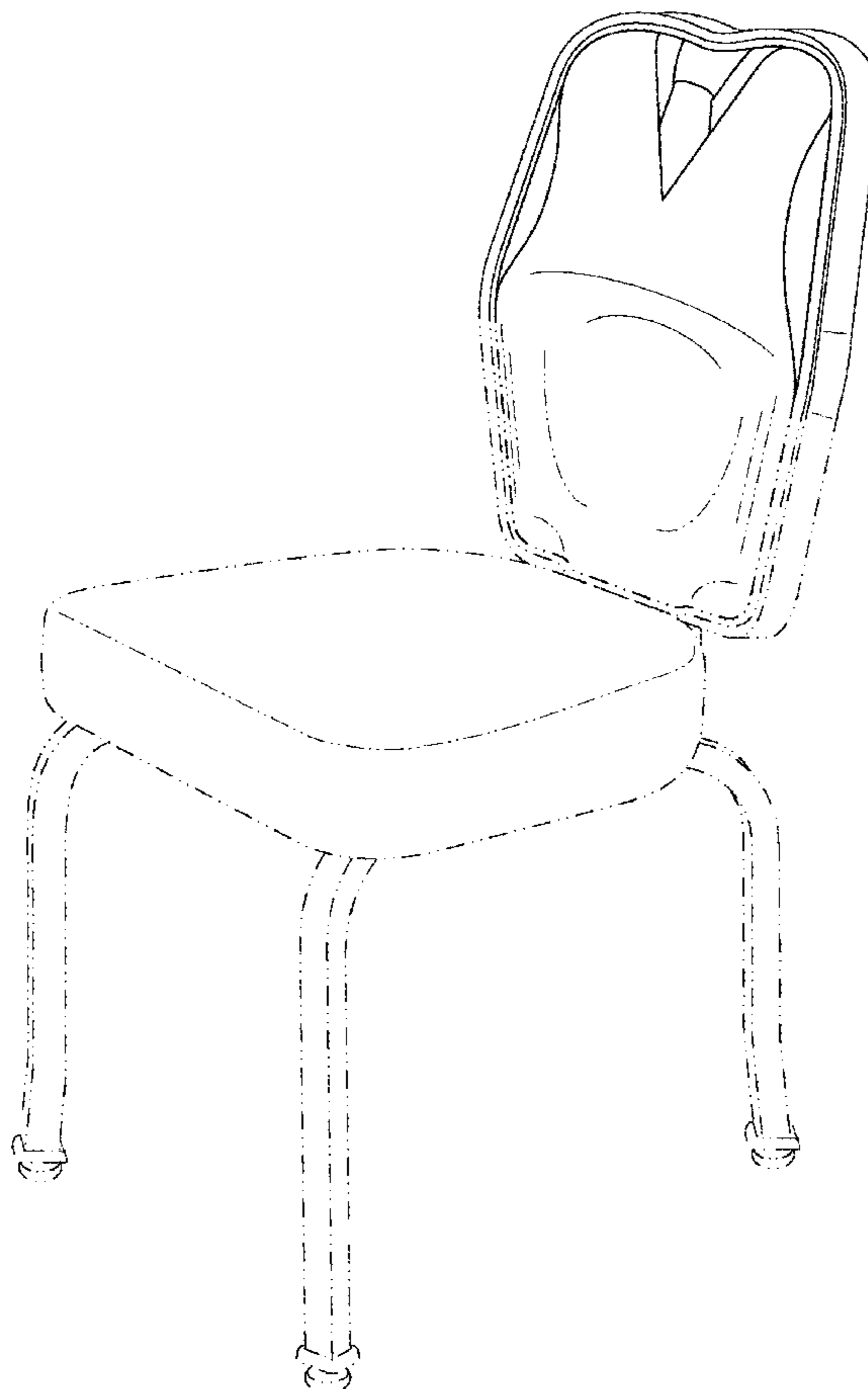
(57) **CLAIM**

The ornamental design for a chair back, as shown and described.

DESCRIPTION

FIG. 1 is front elevation view of a chair back;
FIG. 2 is front perspective view of the chair back;
FIG. 3 is side elevation view of the chair back; and,
FIG. 4 is top plan view of the chair back.
The broken-line disclosure of the remainder of the chair is for illustrative purposes only and forms no part of the claimed design.

1 Claim, 4 Drawing Sheets



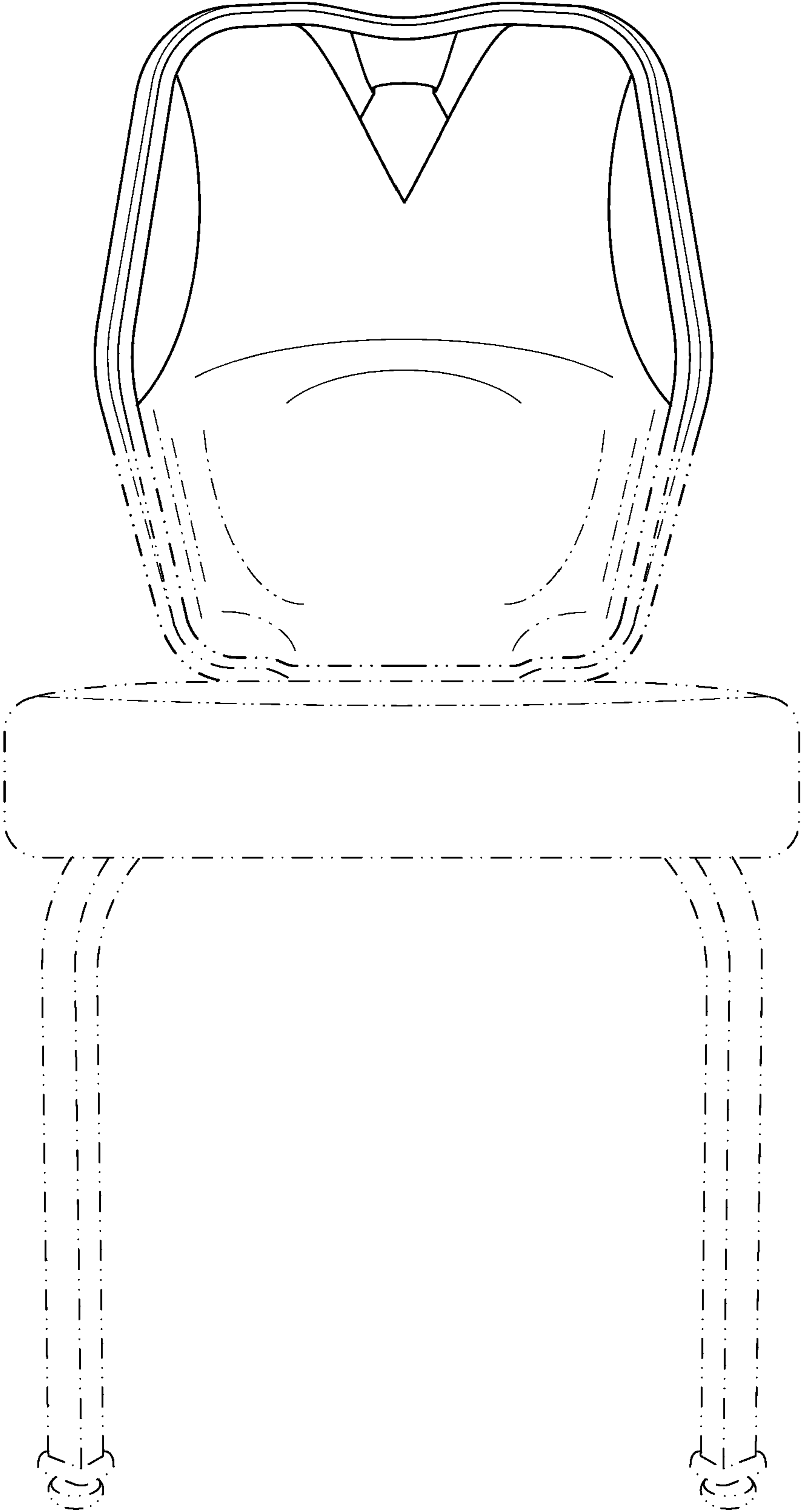


FIGURE 1

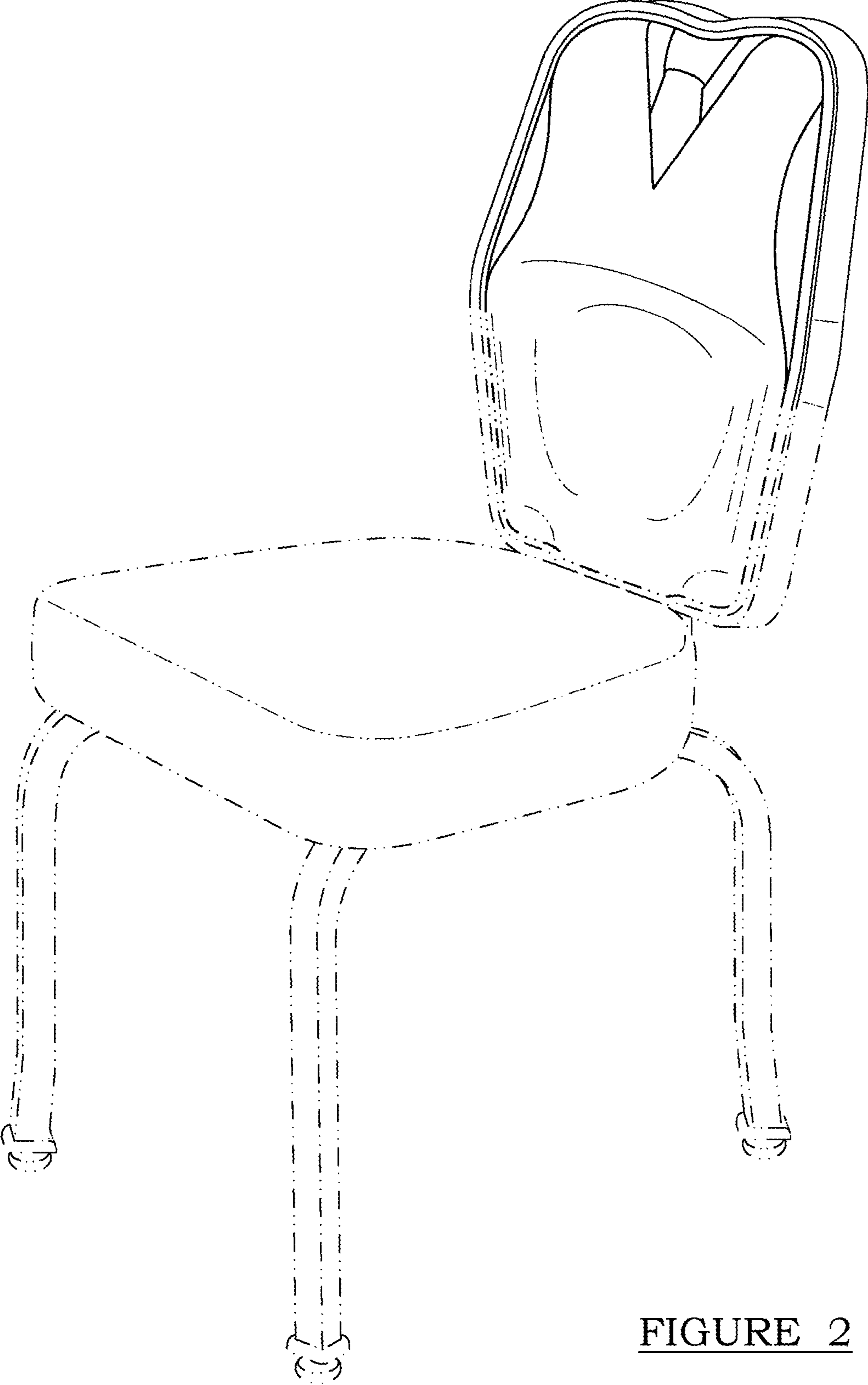


FIGURE 2

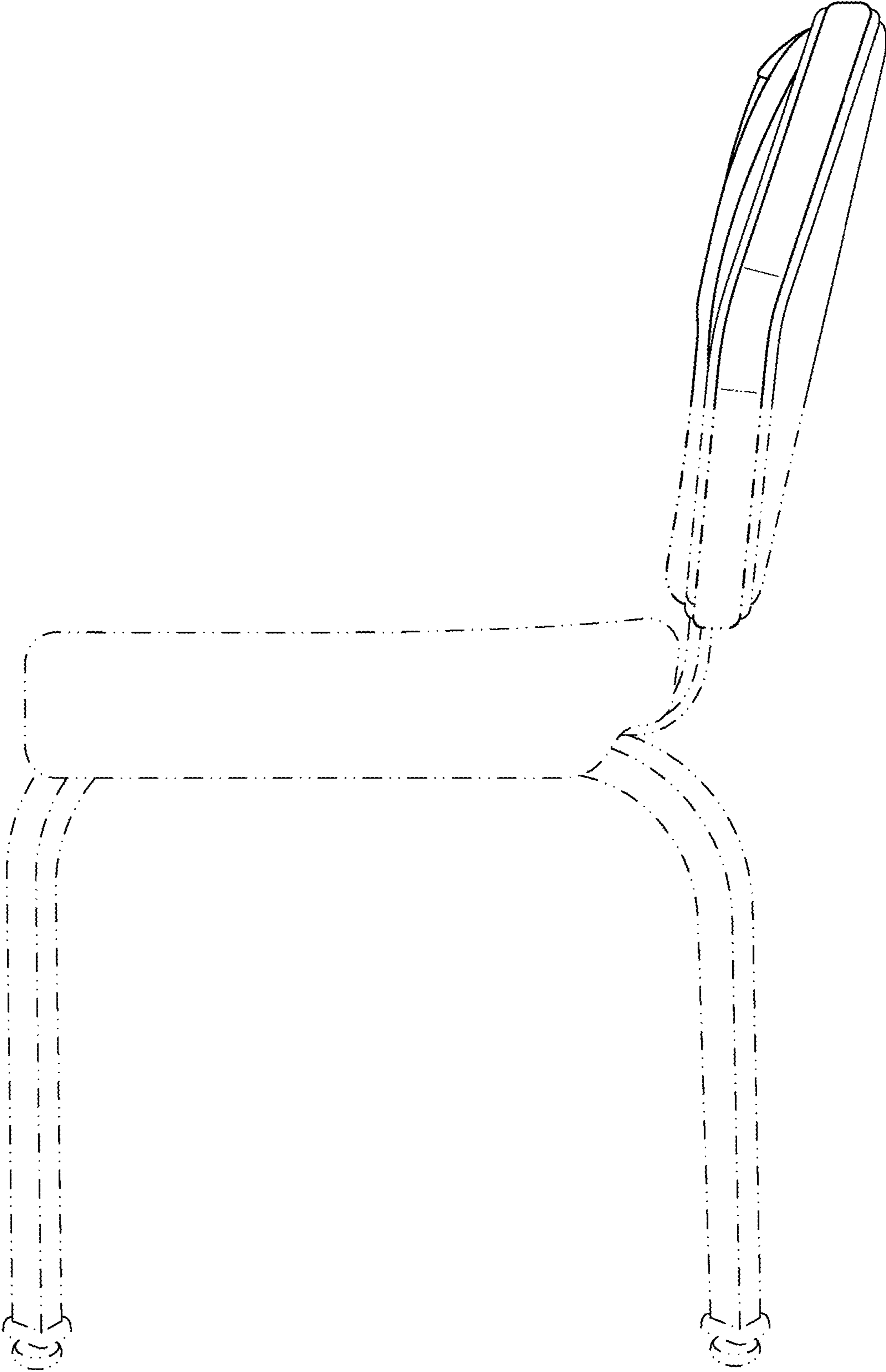


FIGURE 3

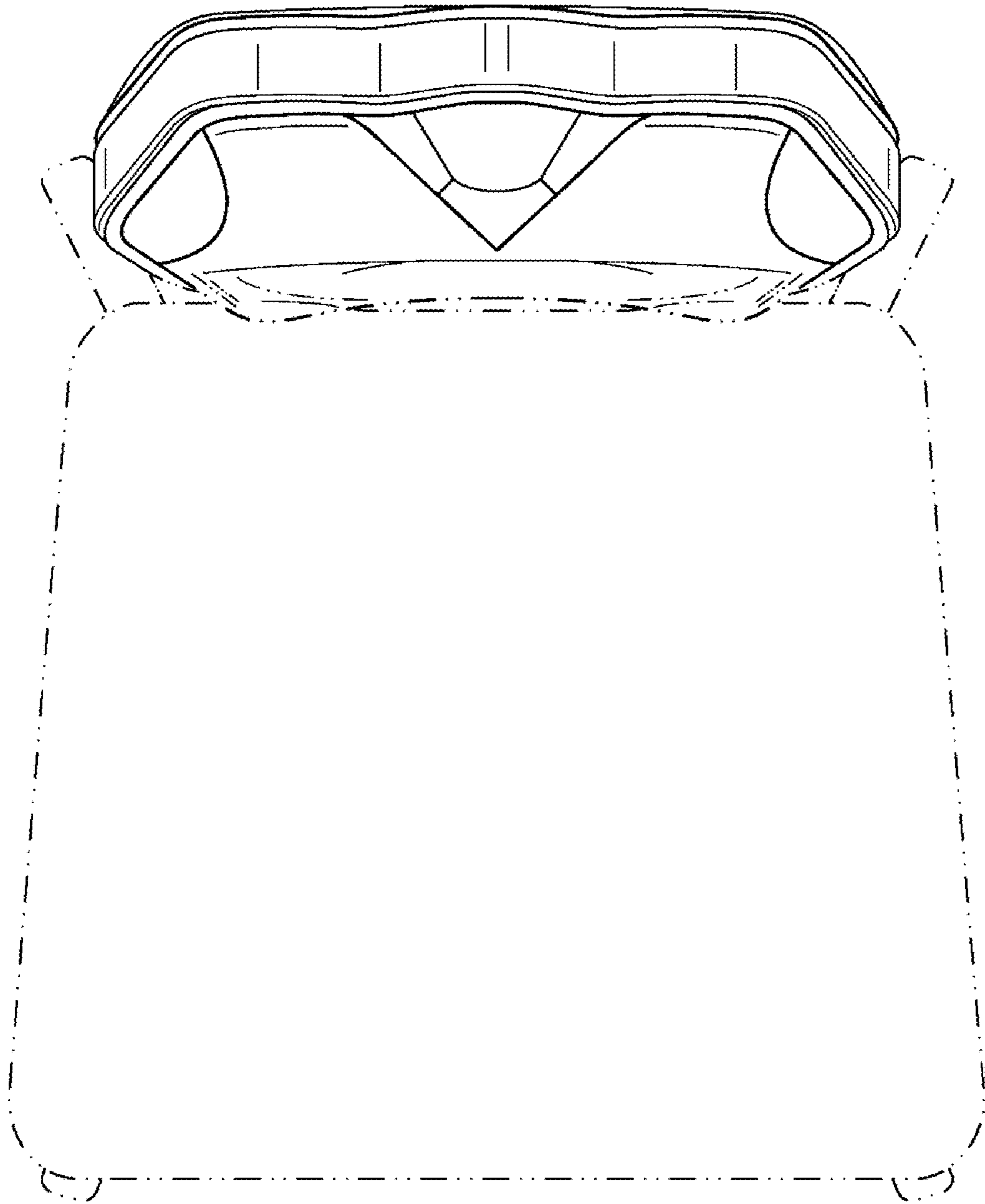


FIGURE 4